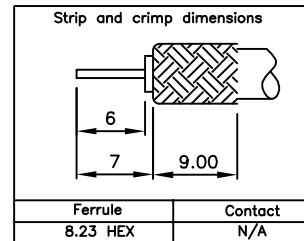
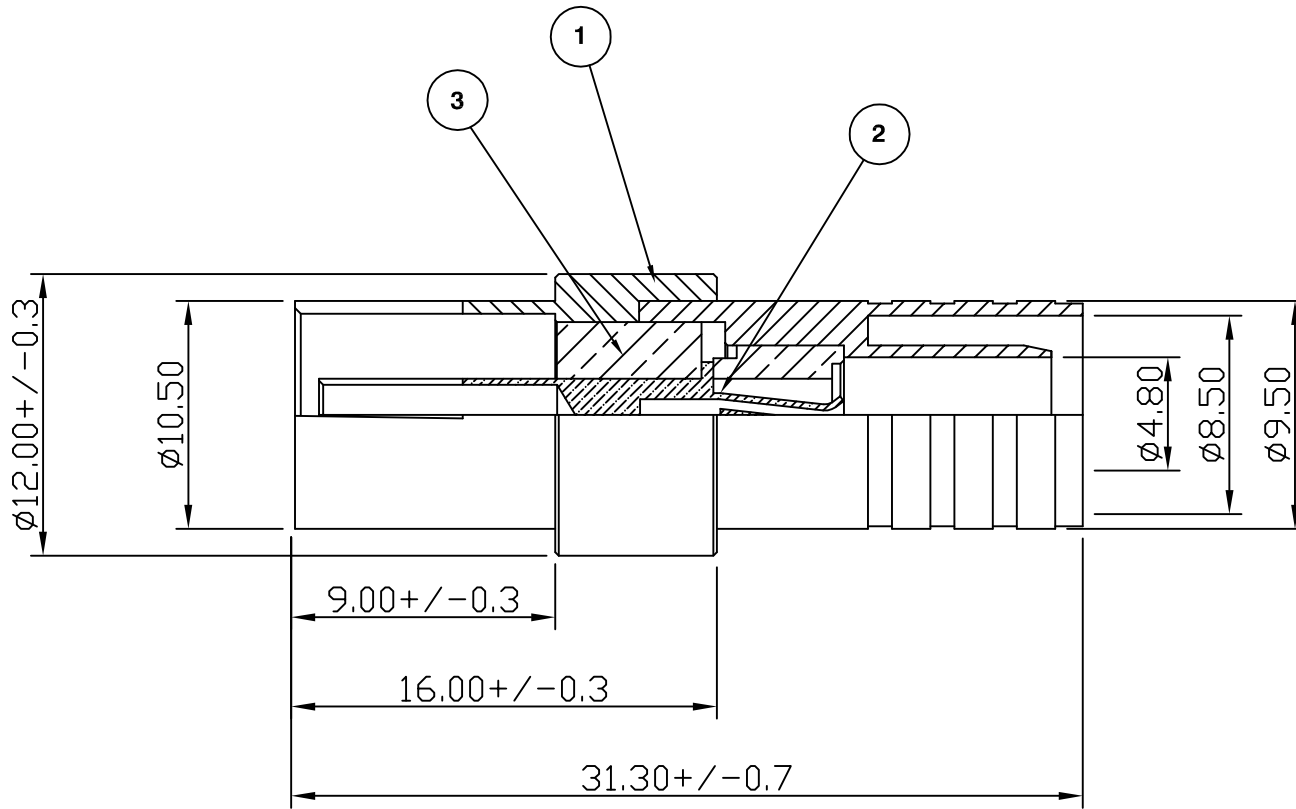


RoHS COMPLIANT



For stripping and assembly instructions see Drawing Number: VAIE3103

Electrical Characteristics

Nominal Impedance: 60-75 Ohms
 Frequency Range: DC to 900 MHz
 VSWR: 1.35:1 maximum
 Operating Voltage (DC): 4000 V maximum
 Dielectric Withstand Voltage (rms): 1500 V maximum at sea level
 Contact Resistance: 3.0 milliohms maximum
 Insulation Resistance: 10000 megohms minimum

Mechanical Characteristics


Mating Cycles: 50 cycles (subject to cable)
 Interface Dimensions: Conform to MIL-C-39012

Environmental Characteristics

Temperature Range: -55 °C to +85 °C

PART	DESCRIPTION
1	Body Zinc, Nickel Plated
2	Contact Brass, Nickel Plated
3	Insulator POM

CAD Issue	MS	2	19 Jun 12
First Issue	IS	1	26 July 95
DESCRIPTION OF REVISION	APPVD	ISS	DATE

 <p>Cinch Connectivity Solutions 7-13 Russell Way, Widford Industrial Estate, Chelmsford, Essex, CM1 3AA, UK. Tel: +44 (0) 1245 359515 Fax: +44 (0) 1245 358938</p>	SCALE: Not To Scale	DRAWN BY: S Nash	TITLE: Euro Crimp Jack for RG6	PART NUMBER: VE30-2029
	DIMENSIONS: mm	CHECKED BY: S Nash		PAGE: 1 of 1
	TOLERANCES: ± 0.2mm unless otherwise stated	APPROVED BY: M Nielsen		
	DATE: 14 Feb 02			