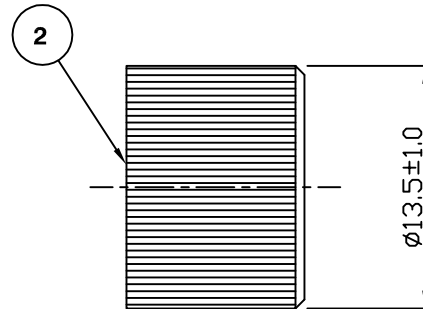
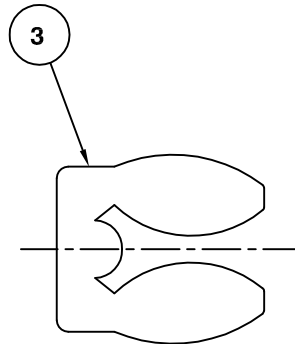
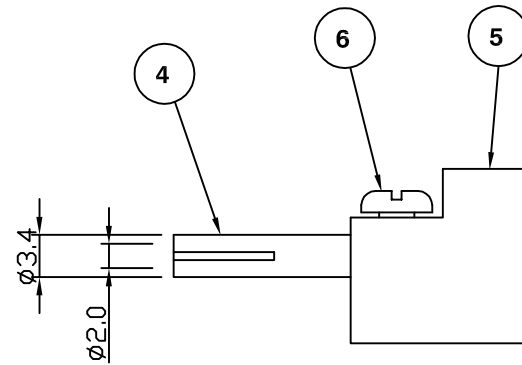
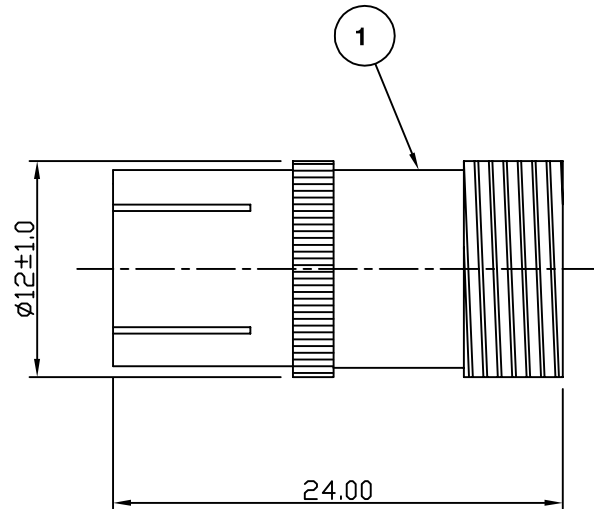


RoHS COMPLIANT



Electrical Characteristics

Nominal Impedance:	75 Ohms
Frequency Range:	DC to 900 MHz
VSWR:	1.35:1 maximum
Operating Voltage (DC):	4000 V maximum
Dielectric Withstand Voltage (rms):	1500 V maximum at sea level
Contact Resistance:	3.0 milliohms maximum
Insulation Resistance:	10000 megohms minimum

Mechanical Characteristics

Mating Cycles:	50 cycles (subject to cable)
Interface Dimensions:	Conform to MIL-C-39012

Environmental Characteristics

Temperature Range:	-55 °C to +85 °C
--------------------	------------------

PART	DESCRIPTION
1	Body Brass, nickel plated
2	Back Shell Brass, nickel plated
3	Contractile Metal, nickel plated
4	Pin Brass, nickel plated
5	Insulator Derlin (White)
6	Screw Metal, nickel plated

First Issue	BT	1	30 Oct 07
DESCRIPTION OF REVISION	APPVD	ISS	DATE

For stripping and assembly instructions see Drawing Number: VAIE1102



Cinch Connectivity Solutions
7-13 Russell Way,
Widford Industrial Estate,
Chelmsford, Essex,
CM1 3AA, UK.
Tel: +44 (0) 1245 359515
Fax: +44 (0) 1245 358938

SCALE: Not To Scale

DIMENSIONS: mm

TOLERANCES:
± 0.2mm unless
otherwise stated

DRAWN BY: B Thomas

CHECKED BY: M Nielsen

APPROVED BY: P Couzens

DATE: 30 Oct 07

TITLE:
Euro Screw Termination Jack
for RG59

PART NUMBER:
VE30-59

PAGE: 1 of 1