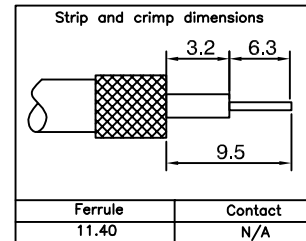
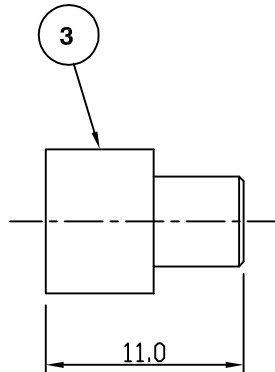
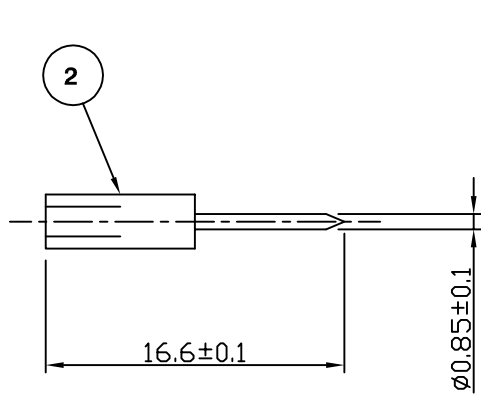
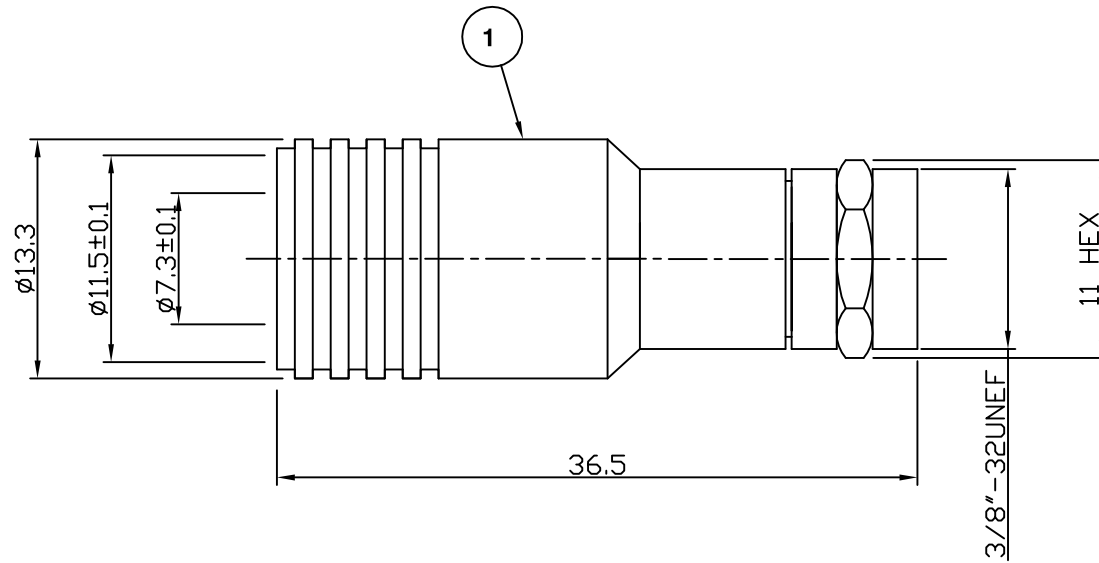


RoHS COMPLIANT



For stripping and assembly instructions see Drawing Number: VAIF1101

**Electrical Characteristics**

Nominal Impedance: 75 ohms  
 Frequency Range: DC to 2 GHz  
 VSWR: 1.35:1 maximum  
 Operating Voltage (rms): 250 V maximum at sea level

**Mechanical Characteristics**

Mating Cycles: 200 cycles minimum

**Environmental Characteristics**

Temperature Range: -65 °C to +165 °C

PART	DESCRIPTION
1	Body Brass, nickel plated
2	Contact Brass, nickel plated
3	Dielectric PTFE

Drawing Update	JT	3	04 June 10
CAD Issue	SN	2	26 Feb 03
First Issue	SN	1	25 Nov 94
DESCRIPTION OF REVISION	APPVD	ISS	DATE



Cinch Connectivity Solutions  
 7-13 Russel Way,  
 Widford Industrial Estate,  
 Chelmsford, Essex,  
 CM1 3AA, UK.  
 Tel: +44 (0) 1245 359515  
 Fax: +44 (0) 1245 358938

SCALE: Not To Scale

DIMENSIONS: mm

TOLERANCES:  
 ± 0.2mm unless  
 otherwise stated

DRAWN BY:

S Nash

CHECKED BY:

P Couzens

APPROVED BY:

P Couzens

DATE:

26 Feb 03

TITLE:

F Crimp Plug for RA519,  
 CT167 and RG11

PART NUMBER:

**VF10-519**

PAGE: 1 of 1