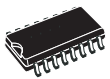
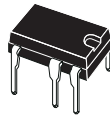


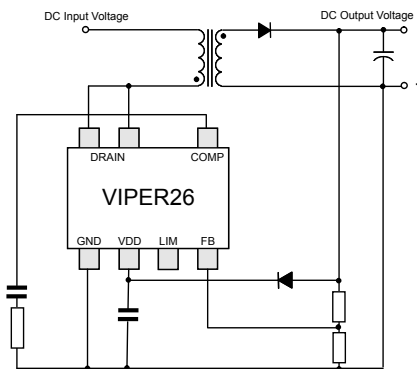
Fixed frequency VIPer plus family



SO16 narrow



DIP-7



Features

- 800 V avalanche rugged power MOSFET allowing wide range V_{AC} input range to be covered
- Embedded HV startup and sense-FET
- Current mode PWM controller
- Minimized system input power consumption:
 - Less than 30 mW @ 230 V_{AC} in no-load condition
 - Less than 400 mW @ 230 V_{AC} with 250 mW load
- Limiting current with adjustable set point
- Jittered switching frequency to reduce the EMI filter cost:
 - 60 kHz \pm 4 kHz (L type)
 - 115 kHz \pm 8 kHz (H type)
- Embedded error amplifier
- Hysteretic thermal shutdown
- Built-in soft-start for improved system reliability
- Protections with automatic restart: overload/short-circuit (OLP), feedback loop disconnection

Application

- Auxiliary power supply for appliances
- Power metering
- LED drivers
- SMPS for set-top boxes, DVD players and recorders

Description

The VIPER26 device is a smart high voltage converter that integrates an 800 V avalanche-rugged power MOSFET with PWM current mode control. The power MOSFET with 800 V breakdown voltage allows an extended input voltage range to be applied, as well as the size of the DRAIN snubber circuit to be reduced.

This IC meets the most stringent energy-saving standards with very low consumption and burst mode operation under light load.

The design of flyback, buck and buck boost converters is supported. The integrated HV startup, sense-FET, error amplifier and oscillator with jitter allow complete application designs with a minimum number of components.

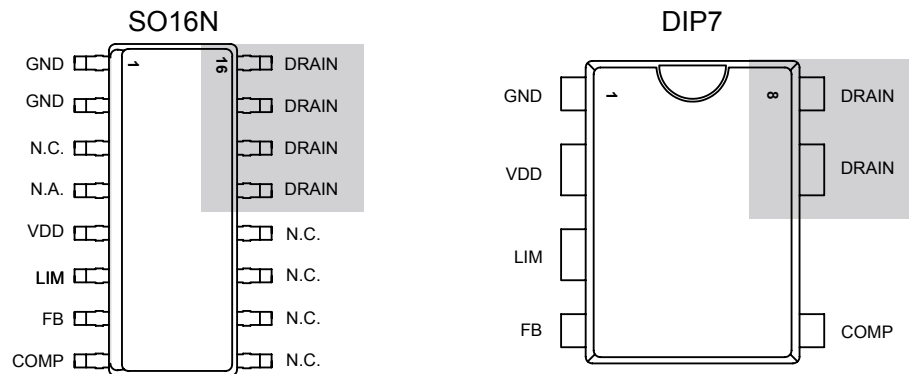
Product status link

[VIPER26](#)

Product label



1 Pin settings

Figure 1. Connection diagram (top view)


Note: The copper area for heat dissipation has to be designed under the DRAIN pins.

Table 1. Pin descriptions

Pin number		Name	Function
DIP7	SO16N		
1	1-2	GND	Ground and MOSFET source. Connection of the source of the internal MOSFET and controller ground reference.
-	3	N.C.	Not connected. This pin can be soldered to GND.
-	4	N. A.	Not available for user. This pin is mechanically connected to the controller die pad of the frame. In order to improve noise immunity, it is highly recommended to connect it to GND (pin 1,2).
2	5	VDD	Controller Supply. An external storage capacitor has to be connected across this pin and GND. The pin, internally connected to the high voltage current source, provides the VDD capacitor charging current at startup and during fault conditions. A small bypass capacitor (0.1 μ F typ.) in parallel, placed as close as possible to the IC, is also recommended for noise filtering purposes.
3	6	LIM	Drain current limitation. This pin allows setting the drain current limitation to a lower value than the default I_{Dlim} value. The limit can be reduced by connecting an external resistor between this pin and GND. In case of high electrical noise, a capacitor may be connected between this pin and GND; the capacitor value must be lower than 470 nF in order to not impact the functionality of the pin. The pin can be left open if the default drain current limitation, I_{Dlim} , is used.
4	7	FB	Direct feedback. It is the inverting input of the internal transconductance E/A, which is internally referenced to 3.3 V with respect to GND. In a non-isolated converter, the output voltage information is directly fed into the pin through a voltage divider. In primary regulation, the FB voltage divider is connected to the VCC. The E/A is disabled by soldering FB to GND.
5	8	COMP	Compensation. It is the output of the internal E/A. A compensation network is placed between this pin and GND to achieve stability and good dynamic performance of the control loop. In case of isolated secondary side regulation, the internal E/A must be disabled and the COMP directly driven by the optocoupler to control the DRAIN peak current setpoint.
-	9-12	N.C.	Not internally connected. These pins must be left floating in order to ensure a safe clearance distance.
7,8	13-16	DRAIN	MOSFET drain. The internal high voltage current source sinks current from this pin to charge the VCC capacitor at startup. These pins are mechanically connected to the internal metal PAD of the MOSFET in order to facilitate heat dissipation. On the PCB, the copper area must be placed under these pins in order to decrease the total junction-to-ambient thermal resistance, thus facilitating the power dissipation.

2 Electrical and thermal ratings

Table 2. Absolute maximum ratings

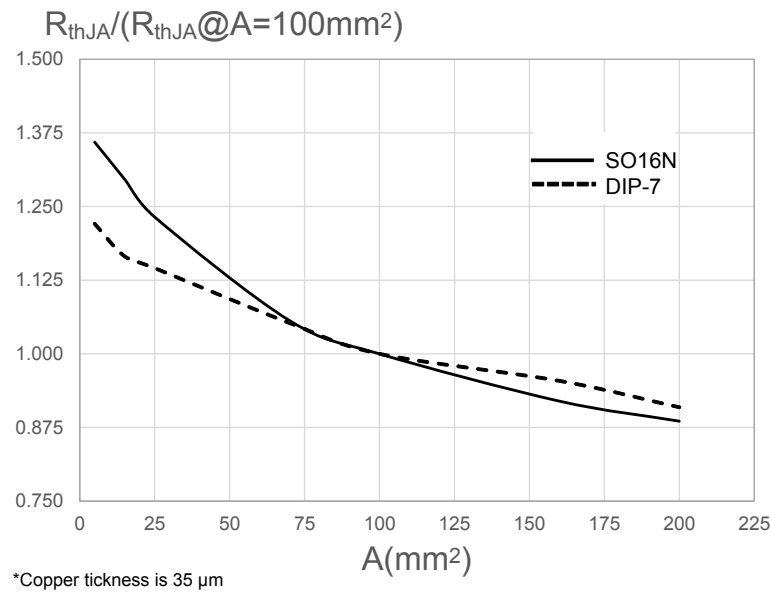
Symbol	Parameter	Min.	Max.	Unit
V _{DRAIN}	Drain-to- source (ground) voltage	-	800	V
I _{DRAIN}	Pulse drain current (limited by T _J = 150 °C)	-	3	A
V _{COMP}	COMP voltage	-0.3	3.5V	V
V _{FB}	FB voltage	-0.3	4.8	V
V _{LIM}	LIM voltage	-0.3	2.4	V
V _{DD}	Supply voltage	-0.3	Self limited	V
I _{DD}	Input current	-0.3	20	mA
P _{TOT}	Power Dissipation @ Tamb < 40 °C (DIP7)	-	1	W
	Power Dissipation @ Tamb < 60 °C (SO16N)	-	1.5	W
T _J	Junction Temperature operating range	-40	150	°C
T _{STG}	Storage Temperature	-55	150	°C

Table 3. Thermal data

Symbol	Parameter	Max. value		Unit
		SO16N	DIP-7	
R _{TH-JC}	Thermal resistance junction to case ⁽¹⁾ (Dissipated power = 1 W)	10	10	°C/W
R _{TH-JA}	Thermal resistance junction ambient ⁽¹⁾ (Dissipated power = 1 W)	120	120	°C/W
R _{TH-JC}	Thermal resistance junction to case ⁽²⁾ (Dissipated power = 1 W)	5	5	°C/W
R _{TH-JA}	Thermal resistance junction ambient ⁽²⁾ (Dissipated power = 1 W)	85	95	°C/W

1. When mounted on a standard, single side FR4 board with minimum copper area.

2. When mounted on a standard, single side FR4 board with 100 mm² of Cu (35 μm thick).

Figure 2. R_{th} versus area

Table 4. Avalanche characteristics

Symbol	Parameter	Min.	Max.	Unit
E_{AV}	Repetitive avalanche energy (limited by $T_J=150^\circ\text{C}$)	-	5	mJ
I_{AR}	Repetitive avalanche current (limited by $T_J=150^\circ\text{C}$)	-	1.5	A

2.1 Electrical characteristics

$T_J = -40$ to 125°C , $V_{DD} = 14$ V (unless otherwise specified)

Note: Adjust V_{DD} above V_{DD} on startup threshold before setting to 14 V

Table 5. Power section

Symbol	Parameter	Test condition	Min.	Typ.	Max.	Unit
V_{BVDS}	Breakdown voltage	$I_{DRAIN} = 1$ mA, $V_{COMP} = V_{GND}$, $T_J = 25^\circ\text{C}$	800	-	-	V
I_{OFF}	OFF state drain current	$V_{DRAIN} = \text{max. rating}$, $V_{COMP} = V_{GND}$, $T_J = 25^\circ\text{C}$	-	-	60	μA
$R_{DS(on)}$	Static drain-source ON-resistance	$I_{DRAIN} = 0.2$ A, $T_J = 25^\circ\text{C}$	-	-	7	Ω
		$I_{DRAIN} = 0.2$ A, $T_J = 125^\circ\text{C}$	-	-	14	Ω

Table 6. Supply section

Symbol	Parameter	Test condition	Min.	Typ.	Max.	Unit
Voltage						
V_{DRAIN_START}	Drain-source start voltage	$I_{DRAIN} = 1$ mA; $V_{COMP} = \text{GND}$; $T_J = 25^\circ\text{C}$	-	-	90	V
I_{DDch1}	Charging current during startup	$V_{DRAIN} = 100$ to 640 V; $V_{DD} = 4$ V	-0.6	-	-1.8	mA

Symbol	Parameter	Test condition	Min.	Typ.	Max.	Unit
I_{DDch2}	Charging current during autorestart	$V_{DRAIN} = 100$ to 640 V; $V_{DD} = 9$ V falling edge	-7	-	-13	mA
V_{DD}	Operating voltage range	-	11.5	-	23.5	V
$V_{DDclamp}$	V_{DD} clamp voltage	$I_{DD} = 15$ mA;	23.5	-	-	V
V_{DDon}	V_{DD} startup threshold	-	12	13	14	V
V_{DDCSon}	V_{DD} on internal high voltage current generator threshold	-	9.5	10.5	11.5	V
V_{DDoff}	V_{DD} undervoltage shutdown threshold	-	7	8	9	V
Current						
I_{DD0}	Operating supply current, not switching	$F_{OSC} = 0$ kHz; $V_{COMP} = GND$	-	-	0.6	mA
I_{DD1}	Operating supply current, switching	$V_{DRAIN} = 120$ V; $V_{SW} = 60$ kHz	-	-	2	
		$V_{DRAIN} = 120$ V; $V_{SW} = 115$ kHz	-	-	3	
I_{DDoff}	Operating supply current with $V_{DD} < V_{DDoff}$	$V_{DD} < V_{DDoff}$	-	-	0.35	
I_{DDol}	Open loop failure current threshold	$V_{DD} = V_{DDclamp}$; $V_{COMP} = 3.3$ V	4	-	-	

Table 7. Controller section

Symbol	Parameter	Test condition	Min.	Typ.	Max.	Unit
Error amplifier						
V_{REF_FB}	FB reference voltage	-	3.2	3.3	3.4	V
$I_{FB_PULL\ UP}$	Pull-up current	-	-	-1	-	μ A
G_M	Trans conductance	$V_{COMP} = 1.5$ V, $V_{FB} > V_{FB\ REF}$	-	2	-	mA/V
Current setting (LIM) pin						
V_{LIM_LOW}	Low level clamp voltage	$I_{LIM} = -100$ μ A	-	0.5	-	V
Compensation (COMP) pin						
V_{COMPH}	Upper saturation limit	$T_J = 25^\circ$ C	-	3	-	V
V_{COMPL}	Burst mode threshold	$T_J = 25^\circ$ C	1	1.1	1.2	V
V_{COMPL_HYS}	Burst mode hysteresis	$T_J = 25^\circ$ C	-	40	-	mV
H_{COMP}	$\Delta V_{COMP}/\Delta I_{DRAIN}$	-	-	3	-	V/A
$R_{COMP(DYN)}$	Dynamic resistance	$V_{FB} = GND$	-	15	-	k Ω
I_{COMP}	Source / sink current	$V_{FB} > 100$ mV	-	150	-	μ A
	Max. source current	$V_{COMP} = GND$; $V_{FB} = GND$	-	220	-	
Current limitation						
I_{DLIM}	Drain current limitation	$I_{LIM} = -10$ μ A; $V_{COMP} = 3.3$ V; $T_J = 25^\circ$ C	0.66	0.7	0.74	A
t_{SS}	Soft-start time	-	-	8.5	-	ms
t_{ON_MIN}	Minimum turn-on time	-	-	-	480	ns
I_{Dlim_bm}	Burst mode current limitation	$V_{COMP} = V_{COMPL}$	-	145	-	mA
Overload						
t_{OVL}	Overload time	-	-	50	-	ms

Symbol	Parameter	Test condition	Min.	Typ.	Max.	Unit
t_{RESTART}	Restart time after fault	-	-	1	-	s
Oscillator section						
F_{OSC}	Switching frequency	VIPER26L	54	60	66	kHz
		VIPER26H	103	115	127	
F_{D}	Modulation depth	$F_{\text{OSC}} = 60 \text{ kHz}$	-	± 4	-	kHz
		$F_{\text{OSC}} = 115 \text{ kHz}$	-	± 8	-	
F_{M}	Modulation frequency	-	-	230	-	Hz
D_{MAX}	Maximum duty cycle	-	70	-	80	%
Thermal shutdown						
T_{SD}	Thermal shutdown temperature threshold	-	150	160	-	$^{\circ}\text{C}$
T_{HYS}	Thermal shutdown hysteresis	-	-	30	-	$^{\circ}\text{C}$

3 Typical electrical characteristics

Figure 3. I_{DLIM} vs. T_J

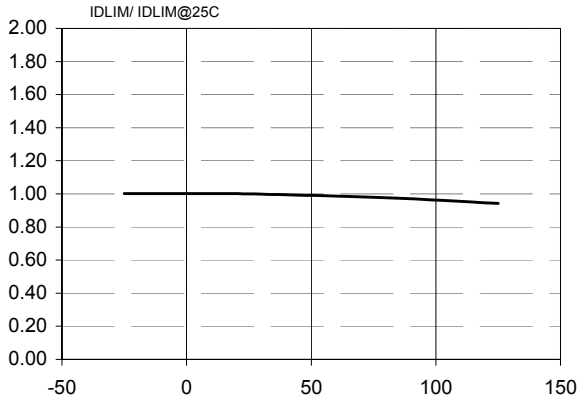


Figure 4. F_{osc} vs. T_J

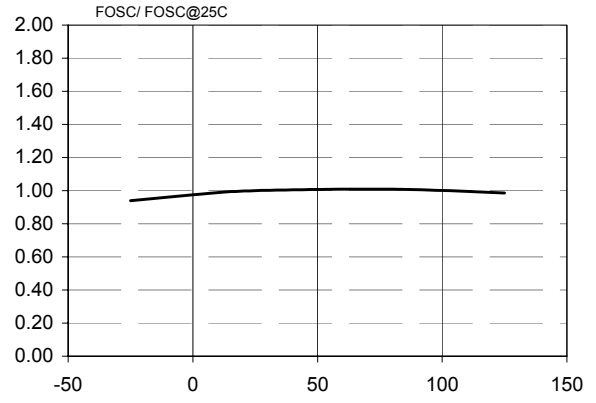


Figure 5. V_{DRAIN_START} vs. T_J

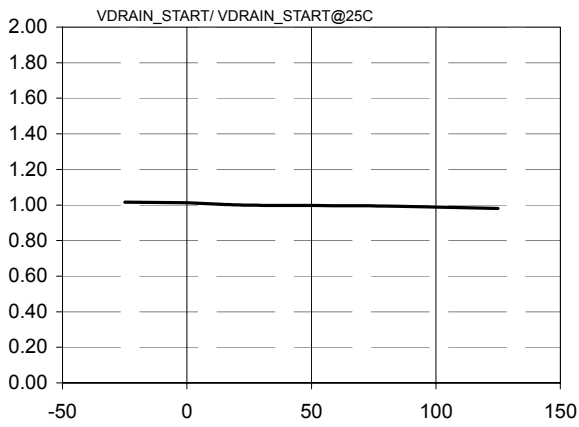


Figure 6. H_{COMP} vs. T_J

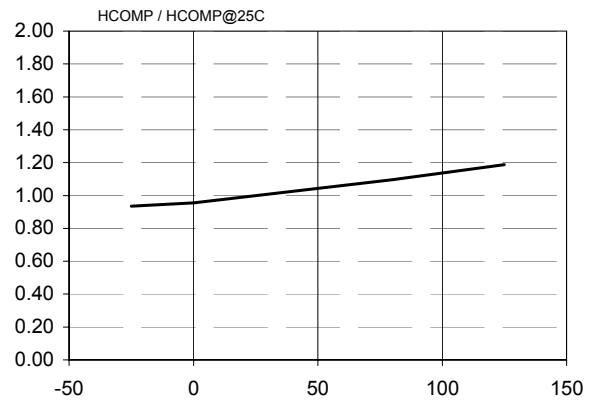


Figure 7. G_M vs. T_J

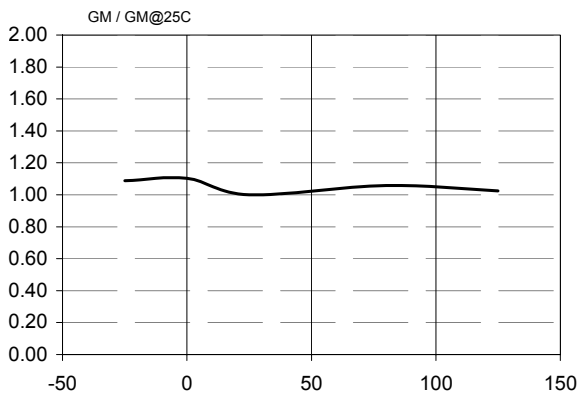


Figure 8. V_{REF_FB} vs. T_J

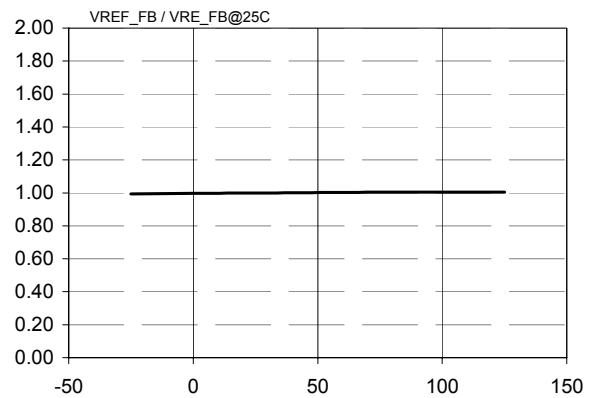


Figure 9. I_{COMP} vs. T_J

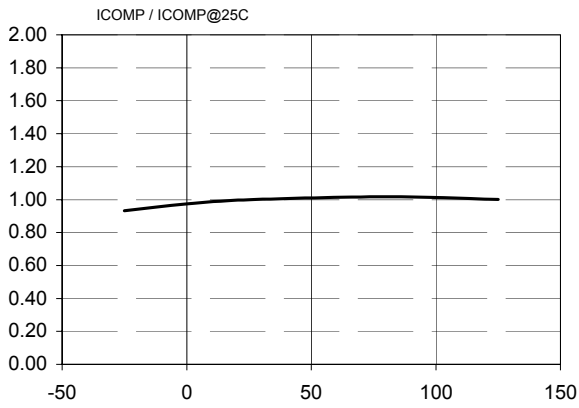


Figure 10. Operating supply current (no switching) vs T_J

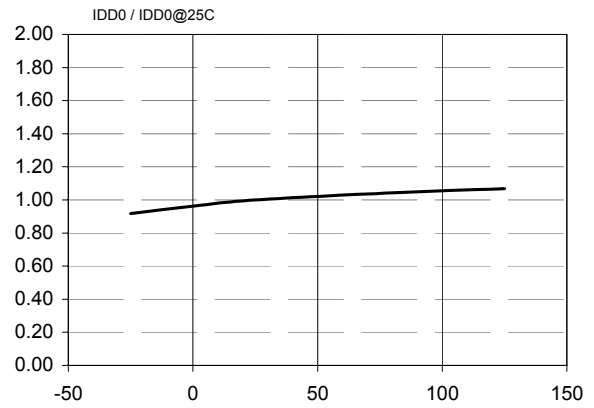


Figure 11. Operating supply current (switching) vs T_J

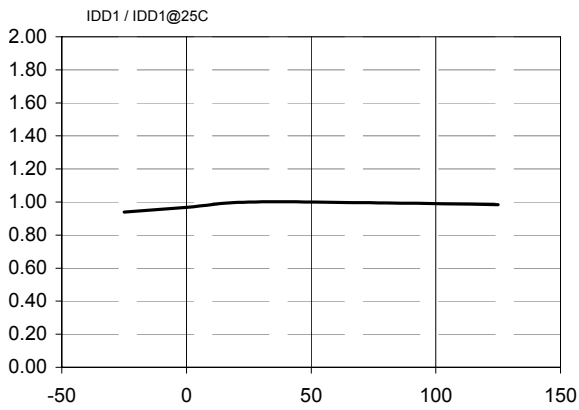


Figure 12. I_{DLIM} vs. R_{LIM}

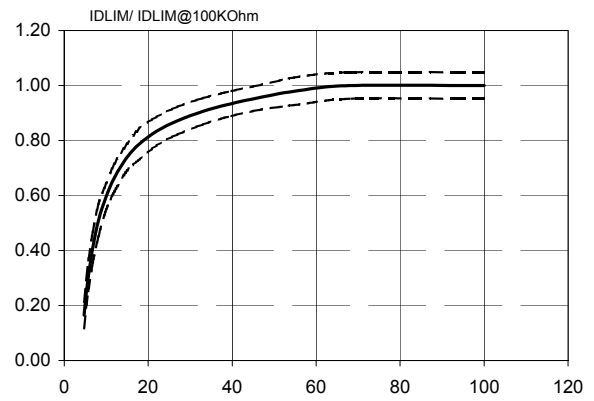


Figure 13. Power MOSFET on-resistance vs T_J

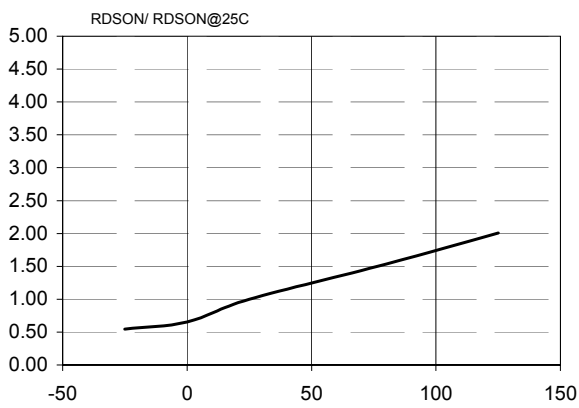


Figure 14. Power MOSFET breakdown voltage vs T_J

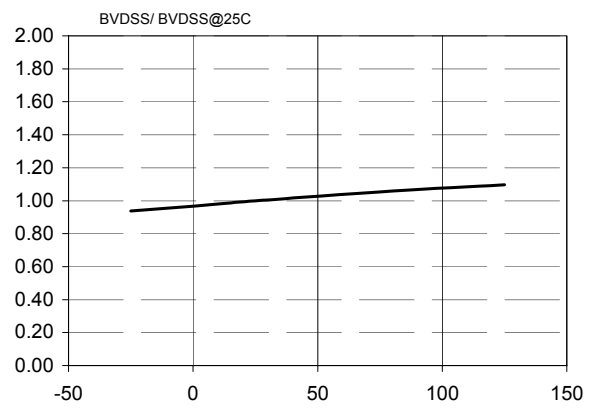


Figure 15. Power MOSFET capacitance variation vs V_{DS}

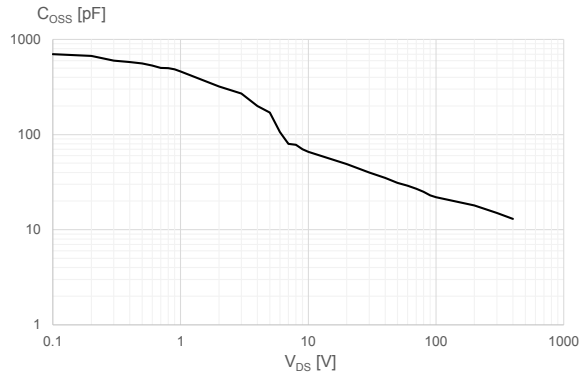


Figure 16. SOA SO16N package

When mounted on a standard single side FR4 board with 100 mm² of Cu (35µm thick)

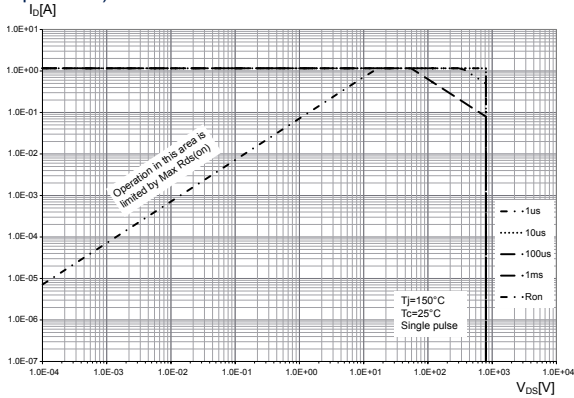


Figure 17. SOA DIP7 package

When mounted on a standard single side FR4 board with 100 mm² of Cu (35µm thick)

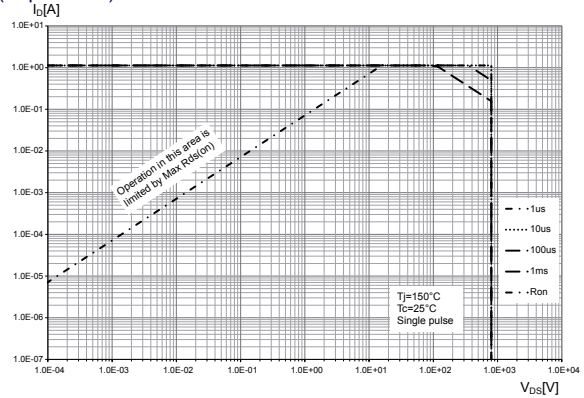
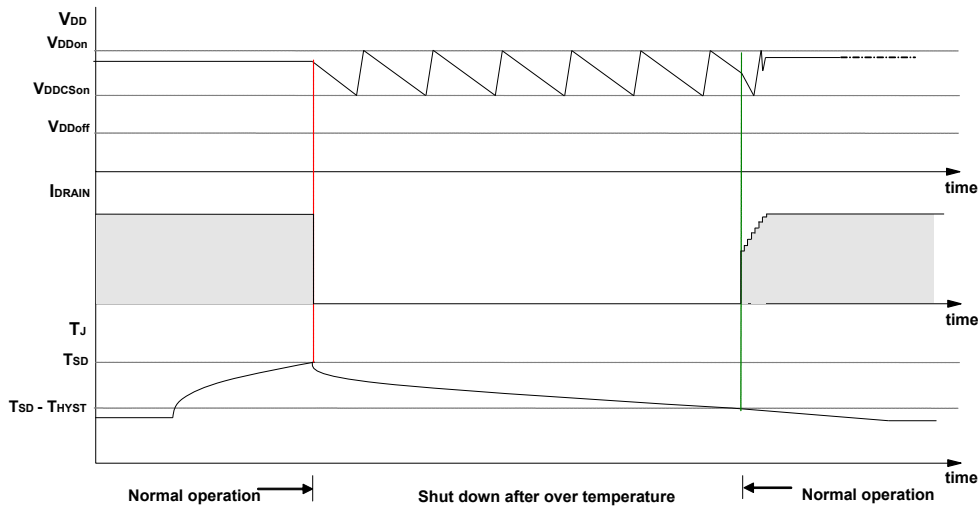


Figure 18. Thermal shutdown



4 Typical circuits

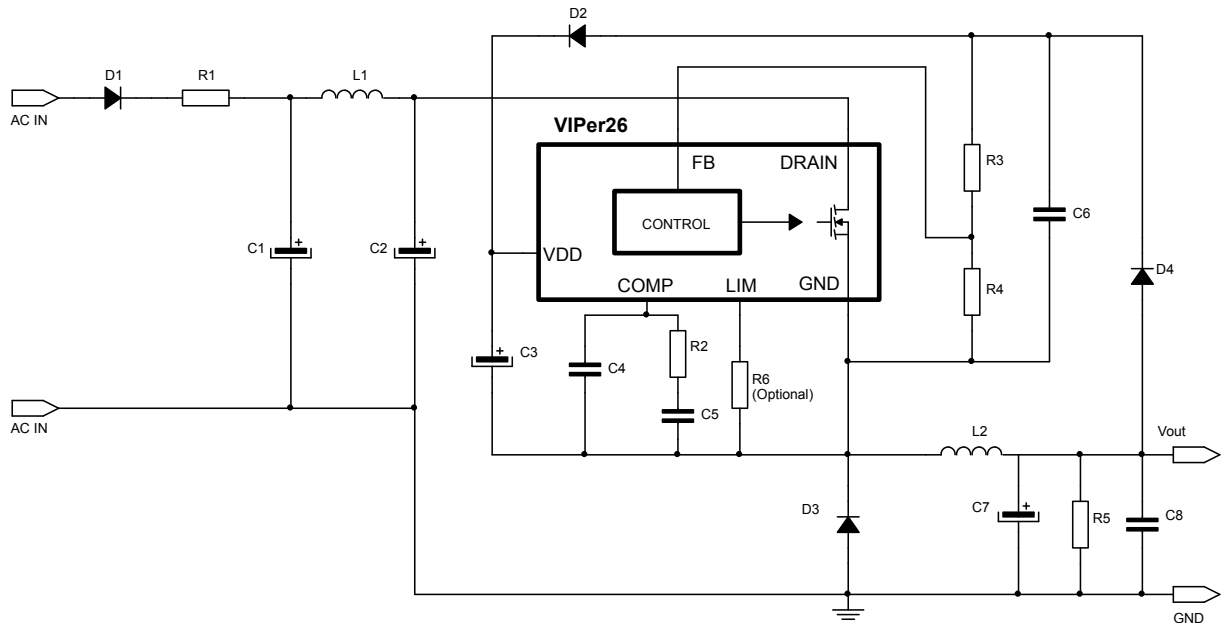
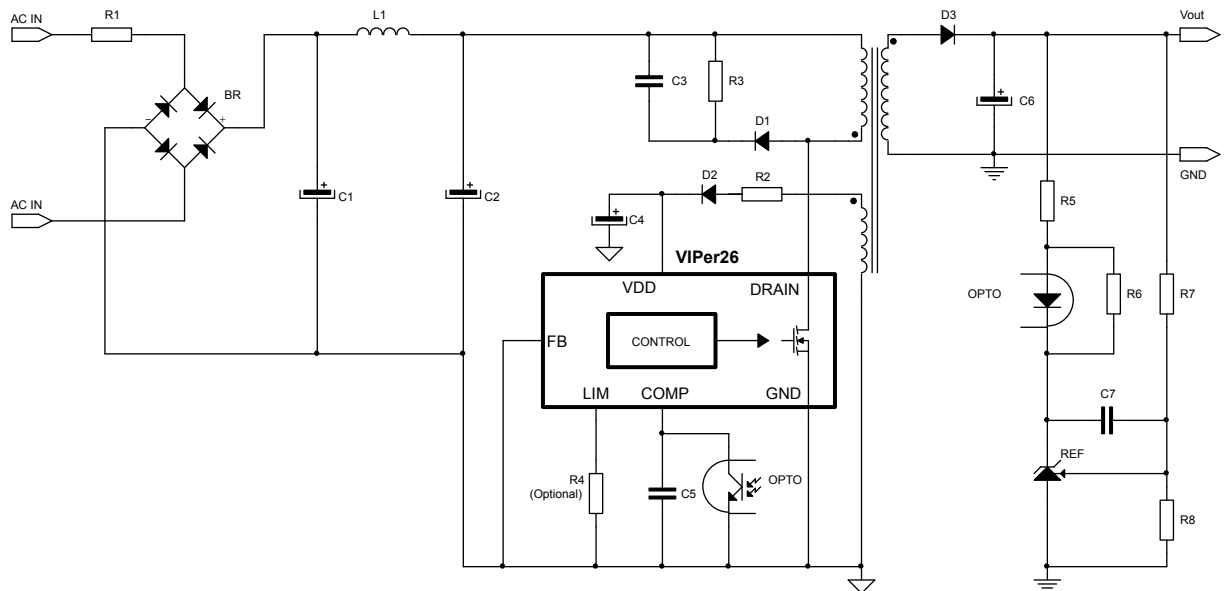
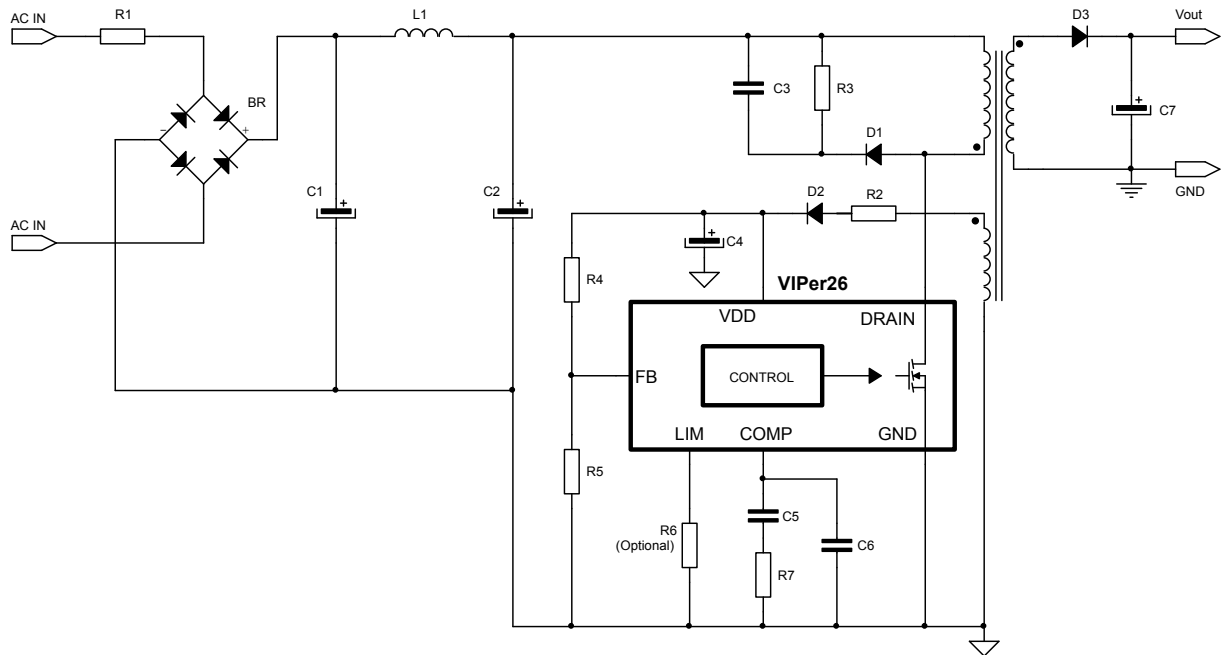
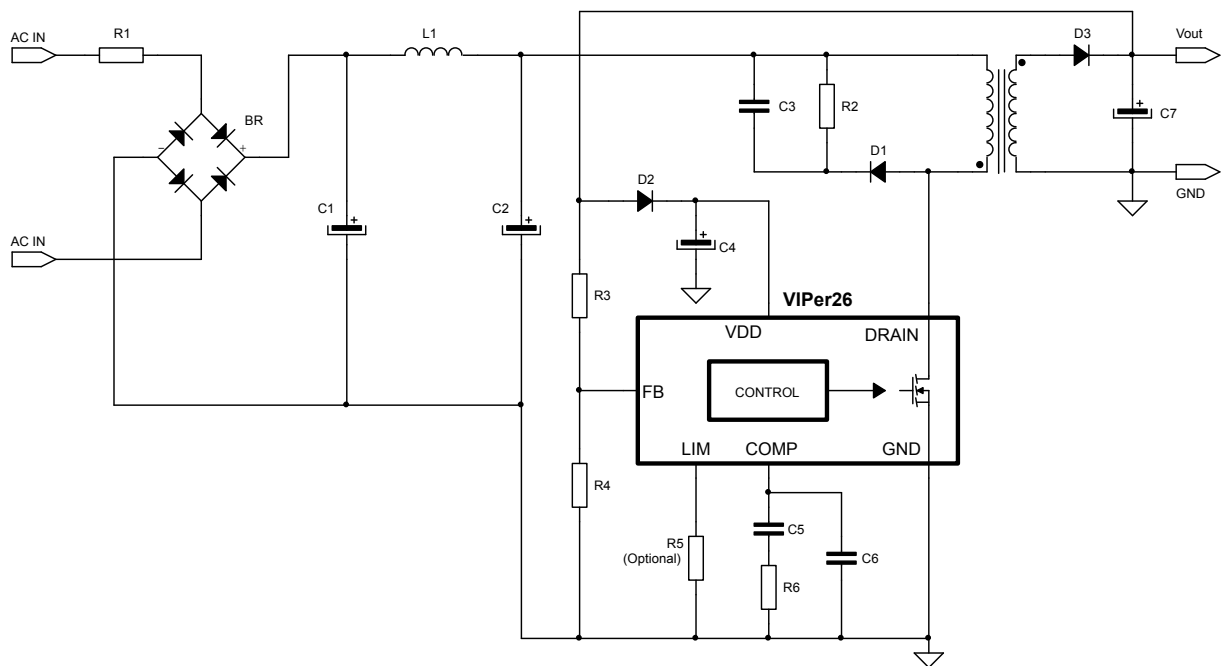
Figure 19. Buck converter ($V_{OUT} > V_{DDCSON}$)

Figure 20. Flyback converter (isolated)


Figure 21. Flyback converter (primary regulation)

Figure 22. Flyback converter (non isolated, $V_{OUT} \geq V_{DCCson}$)


4.2 Typical power

Table 8. VIPer26 typical power

230 V _{AC}		85-265 V _{AC}	
Adapter ⁽¹⁾	Open Frame ⁽²⁾	Adapter ⁽¹⁾	Open Frame ⁽²⁾
18 W	20 W	10 W	12 W

1. Typical continuous power in non-ventilated enclosed adapter measured at 50°C ambient.
2. Maximum practical continuous power in an open frame design at 50°C ambient, with adequate heat sinking.

5 Power section

The power section is implemented with an n-channel power MOSFET with a breakdown voltage of 800 V min. and a typical $R_{DS(on)}$ of 7 Ω . It includes a SenseFET structure to allow virtually lossless current sensing and a thermal sensor.

The gate driver of the power MOSFET is designed to supply a controlled gate current during turn ON and turn OFF in order to minimize common mode EMI. During UVLO conditions, an internal pull-down circuit holds the gate low in order to ensure that the power MOSFET cannot be turned ON accidentally.

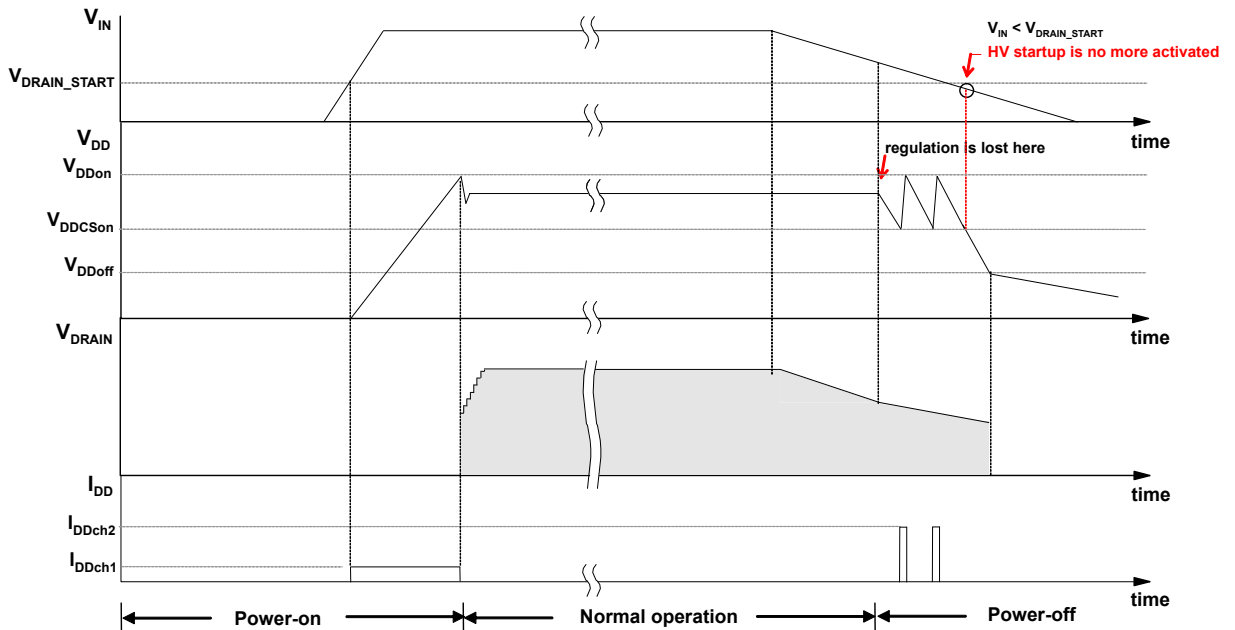
6 High-voltage current generator

The high voltage current generator is supplied by the DRAIN pin. On initial startup of the converter, it is enabled when the voltage across the input bulk capacitor reaches the V_{DRAIN_START} threshold, sourcing the I_{DDch1} current (see Table 6. Supply section). As the V_{DD} voltage reaches the V_{DDon} start-up threshold, the power section starts switching and the high voltage current generator is turned OFF. The VIPer26 is powered by the external source. After the start-up, the auxiliary winding or the diode connected to the output voltage must power the V_{DD} capacitor with a voltage higher than the V_{DDCSon} threshold (see Table 6).

During the switching, the internal current source is disabled and the consumptions are minimized. If a fault occurs, switching is stopped and the device is self biased by the internal high voltage current source; it is activated between the levels V_{DDCSon} and V_{DDon} delivering the current I_{DDch2} to the V_{DD} capacitor during the MOSFET OFF time, see Figure 25.

At converter power-down, the V_{DD} voltage drops and the converter activity stops as it falls below the V_{DDoff} threshold (see Table 6).

Figure 25. Power ON and power OFF



7 Oscillator

The switching frequency is internally fixed at 60 kHz (VIPER26LN or LD) or 115 kHz (VIPER26HN or HD). In both cases, the switching frequency is modulated by approximately ± 4 kHz (60 kHz version) or ± 8 kHz (115 kHz version) at 230 Hz (typical) rate, so that the resulting spread-spectrum action distributes the energy of each harmonic of the switching frequency over a number of sideband harmonics, having the same net energy but with smaller amplitudes.

8 Soft startup

During the converter start-up phase, the soft-start function progressively increases the cycle-by-cycle drain current limit, up to the default value I_{Dlim} . This way, the drain current is further limited and the output voltage is progressively increased, therefore reducing the stress on the secondary diode. The soft-start time is internally fixed to t_{SS} (see typical value on [Table 7. Controller section](#)) and the function is activated for any converter start-up attempt or a fault event.

This function helps prevent transformer saturation during start-up and short-circuit.

9 Adjustable current limit set point

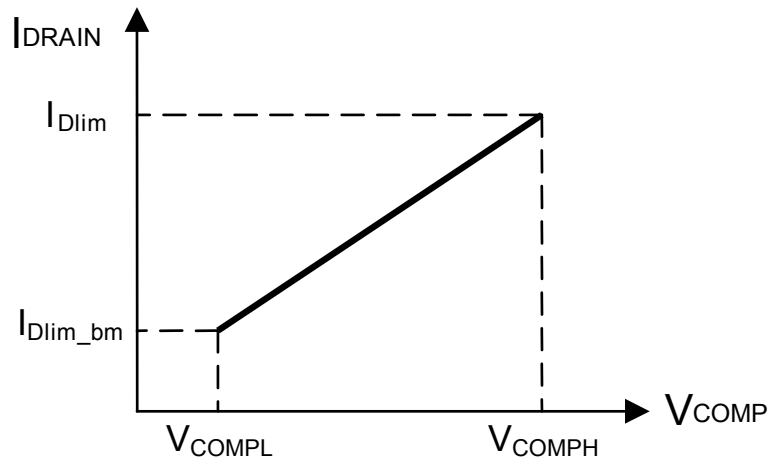
The VIPer26 includes a current mode PWM controller: cycle by cycle the drain current is sensed through the integrated resistor R_{SENSE} and the voltage is applied to the non inverting input of the PWM comparator, see [Figure 24. Block diagram](#). As soon as the sensed voltage is equal to the voltage derived from the COMP pin, the power MOSFET is switched OFF.

In parallel with the PWM operations, the comparator OCP, see [Figure 24](#), checks the level of the drain current and switch OFF the power MOSFET in case the current is higher than the threshold I_{Dlim} , see [Table 7. Controller section](#).

The level of the drain current limit, I_{Dlim} , can be reduced depending on the sunk current from the pin LIM. The resistor R_{LIM} , between LIM and GND pins, fixes the current sunk and therefore the level of the current limit, I_{Dlim} , see [Figure 12. \$I_{DLIM}\$ vs. \$R_{LIM}\$](#) .

When the LIM pin is left open or if the R_{LIM} has a high value (i.e., $> 80\text{ k}\Omega$), the current limit is fixed to its default value, I_{Dlim} , as reported in [Table 7](#).

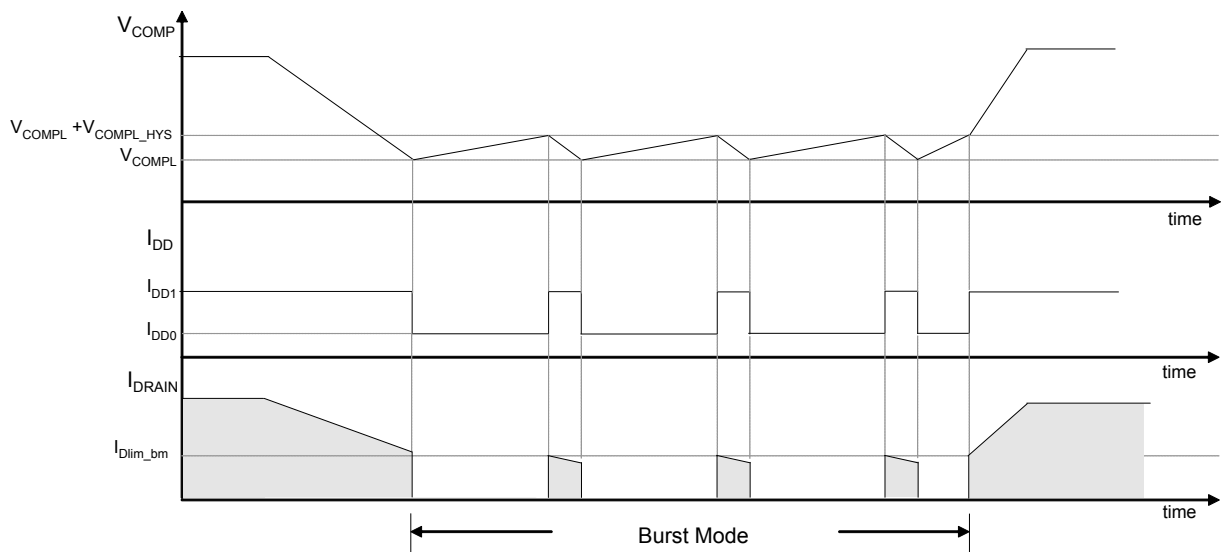
Figure 27. COMP pin voltage versus I_{DLIM}



11 Burst mode

When the voltage V_{COMP} drops below the threshold, V_{COMPL} , the power MOSFET is kept in the OFF state and the consumption is reduced to I_{DD0} current, as given in Table 6. Supply section. In reaction to the energy delivery interruption, the V_{COMP} voltage increases and, as soon as it exceeds the threshold $V_{COMPL} + V_{COMPL_HYS}$, the converter starts switching again with consumption level equal to I_{DD1} current. This ON-OFF operation mode, referred to as “burst mode” (see Figure 28), reduces the average frequency, which can fall down even to a few hundreds hertz, thus minimizing all frequency-related losses and making it easier to comply with energy saving regulations. During burst mode, the drain current limit is reduced to the value I_{Dim_bm} (given in Table 7. Controller section) in order to avoid audible noise issues.

Figure 28. Load-dependent operating modes: timing diagrams



12 Automatic restart after overload or short-circuit

The overload protection is implemented automatically through the integrated up-down counter. Every cycle, it is incremented or decremented depending on whether the current logic detects the limit condition or not. The limit condition is the peak drain current, I_{Dlim} given in Table 7. Controller section, or the one set by the user through the R_{LIM} resistor, as shown in Figure 12. I_{DLIM} vs. R_{LIM} .

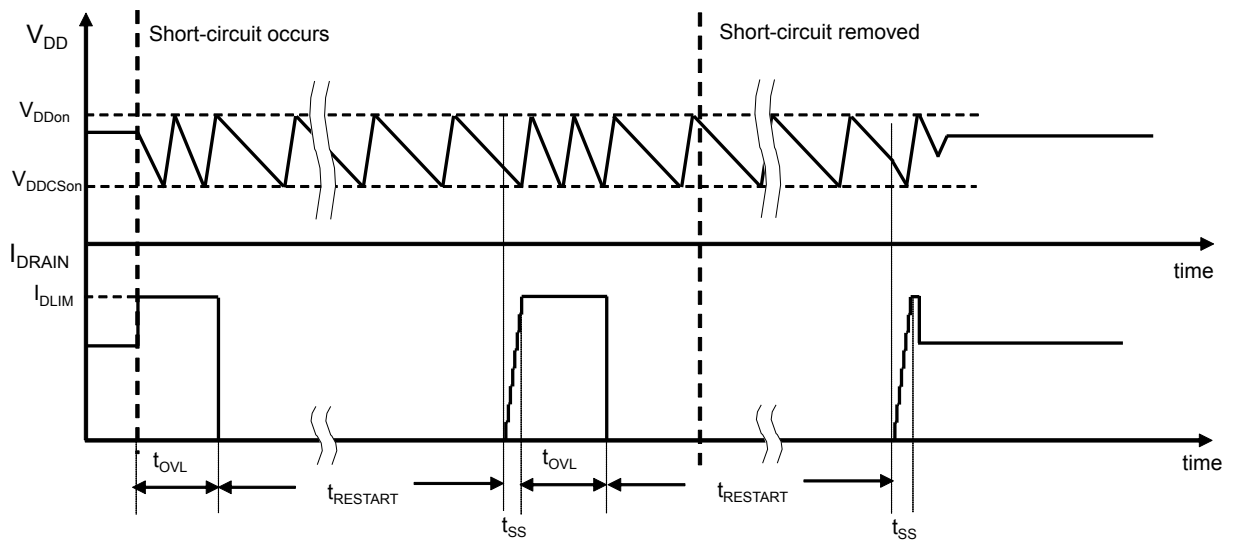
After the reset of the counter, if the peak drain current is continuously equal to the level I_{Dlim} , the counter will be incremented until the fixed time, t_{OVL} , after which the power MOSFET switch ON is disabled. It is activated again, through the soft start, after the $t_{RESTART}$ time, see Figure 29. Timing diagram: OLP sequence and the relevant time values in Table 7.

In case of an overload or short-circuit event, the power MOSFET switching is stopped after a time that depends on the counter and whose maximum can equal t_{OVL} . The protection occurs in the same way until the overload condition is removed, see Figure 29.

This protection ensures restart attempts of the converter with low repetition rate, so that it works safely with extremely low power throughput and avoids IC overheating in case of repeated overload events.

If the overload is removed before the protection tripping, the counter will be decremented cycle by cycle down to zero and the IC will not be stopped.

Figure 29. Timing diagram: OLP sequence



13 Open loop failure protection

If the power supply is built in fly-back topology and the VIPer26 is supplied by an auxiliary winding, as shown in Figure 30. FB pin connection for non-isolated flyback and Figure 31. FB pin connection for isolated flyback, the converter is protected against feedback loop failure or accidental disconnections of the winding.

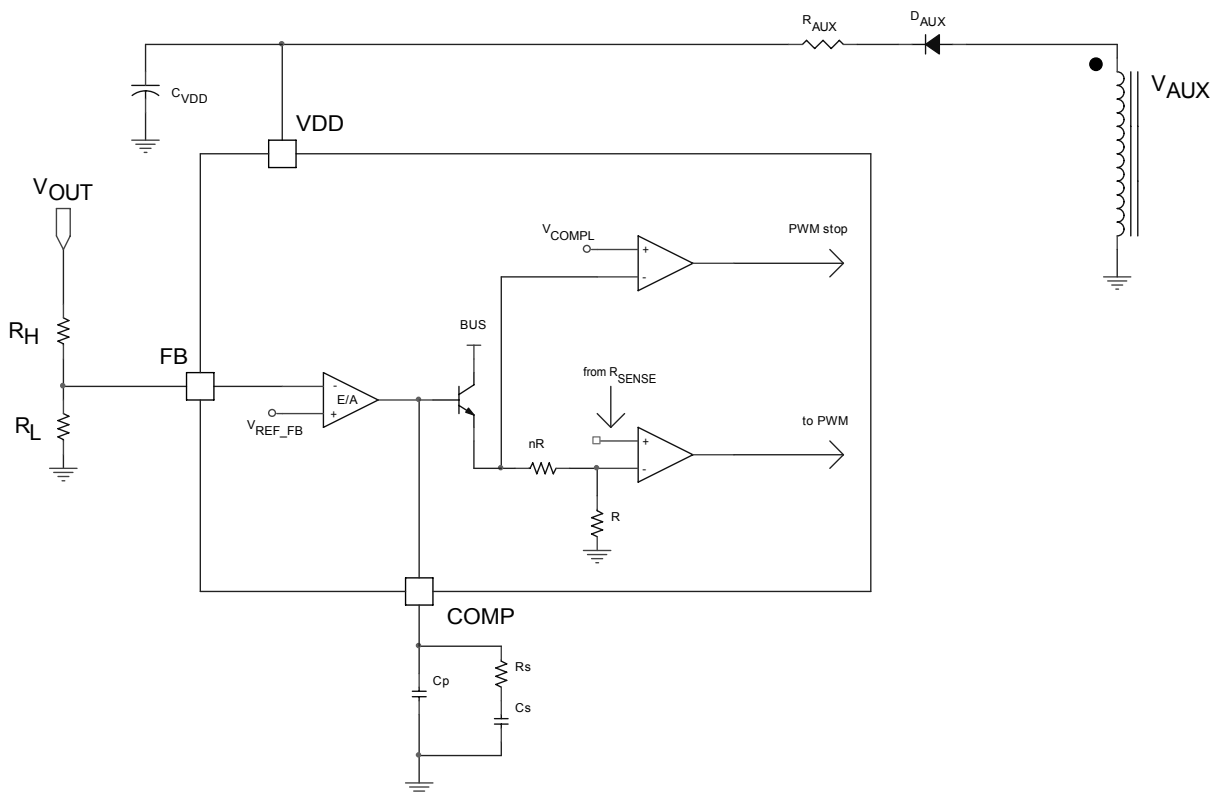
Regarding the Figure 30 and Figure 31 schematics for non-isolated flyback and isolated flyback, if R_H is opened or R_L is shorted, the VIPer26 works at its drain current limitation. The output voltage, V_{OUT} , will increase and so will the auxiliary voltage, V_{AUX} , which is coupled with the output according to the secondary-to-auxiliary turns ratio.

As the auxiliary voltage increases up to the internal V_{DD} active clamp, $V_{DDclamp}$ (value given in Table 7. Controller section) and the clamp current injected on V_{DD} pin exceeds the open loop failure current threshold, I_{DDol} (value given in Table 7), a fault signal is internally generated.

In order to distinguish an actual malfunction from a bad auxiliary winding design, both the above conditions (drain current equal to the drain current limitation and V_{DD} current higher than I_{DDol} through V_{DD} clamp) have to be verified to reveal the fault.

If R_L is opened or R_H is shorted, the output voltage, V_{OUT} , will be clamped to the reference voltage V_{REF_FB} in case of non isolated flyback or to the external T_L voltage reference in case of isolated flyback).

Figure 30. FB pin connection for non-isolated flyback



14 Package information

In order to meet environmental requirements, ST offers these devices in different grades of **ECOPACK** packages, depending on their level of environmental compliance. ECOPACK specifications, grade definitions and product status are available at: www.st.com. ECOPACK is an ST trademark.

14.1 DIP-7 package information

Figure 32. DIP-7 package outline

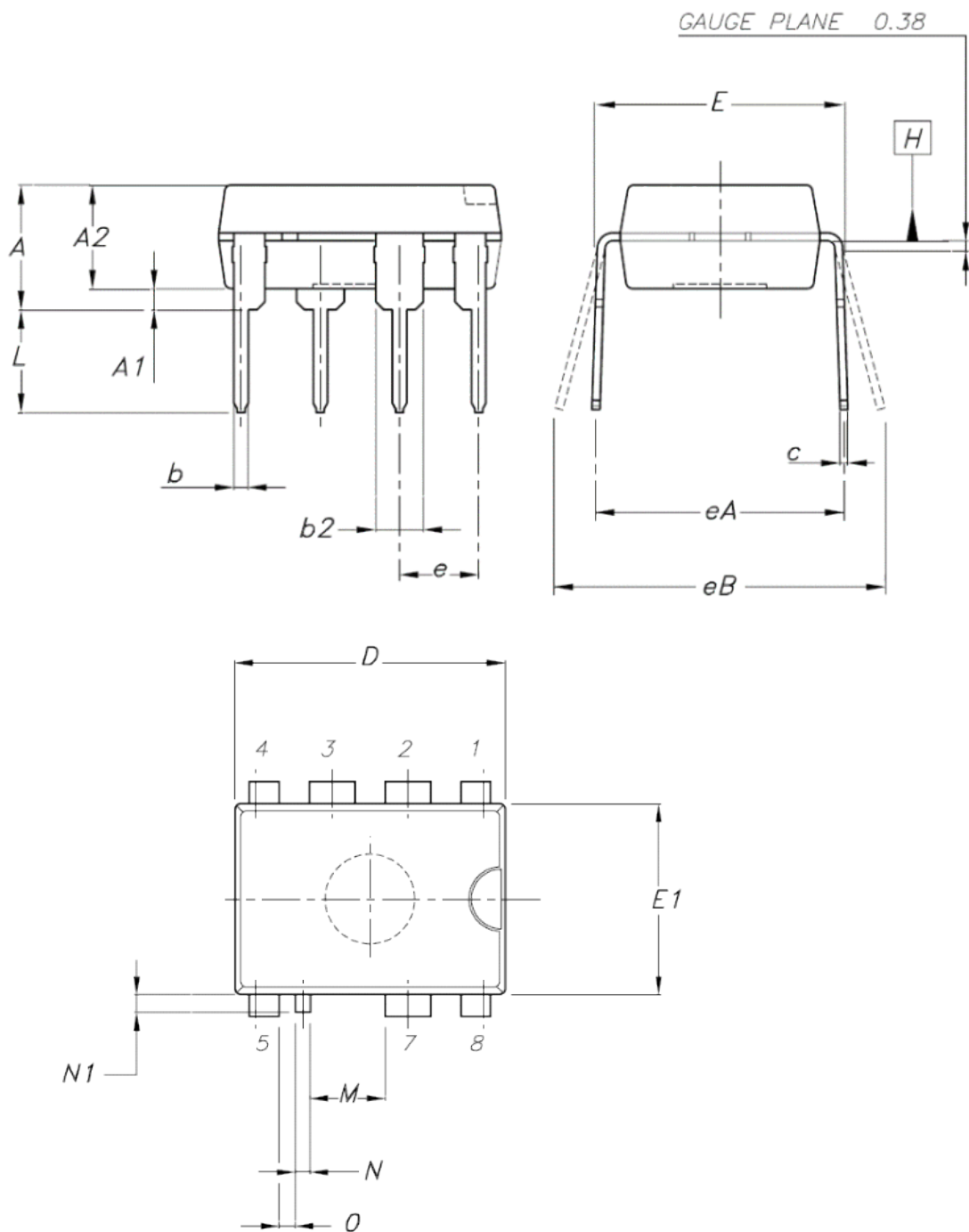


Table 9. DIP-7 package mechanical data

Dim.	mm			Notes
	Min.	Typ.	Max.	
A	-	-	5.33	-
A1	0.38	-	-	-
A2	2.92	3.30	4.95	-
b	0.36	0.46	0.56	-
b2	1.14	1.52	1.78	-
c	0.20	0.25	0.36	-
D	9.02	9.27	10.16	-
E	7.62	7.87	8.26	-
E1	6.10	6.35	7.11	-
e	-	2.54	-	-
eA	-	7.62	-	-
eB	-	-	10.92	-
L	2.92	3.30	3.81	-
M	-	2.508		6 - 8
N	0.40	0.50	0.60	-
N1	-	-	0.60	-
O	-	0.548	-	7 - 8

14.2 SO16 narrow package information

Figure 33. SO16 narrow package outline

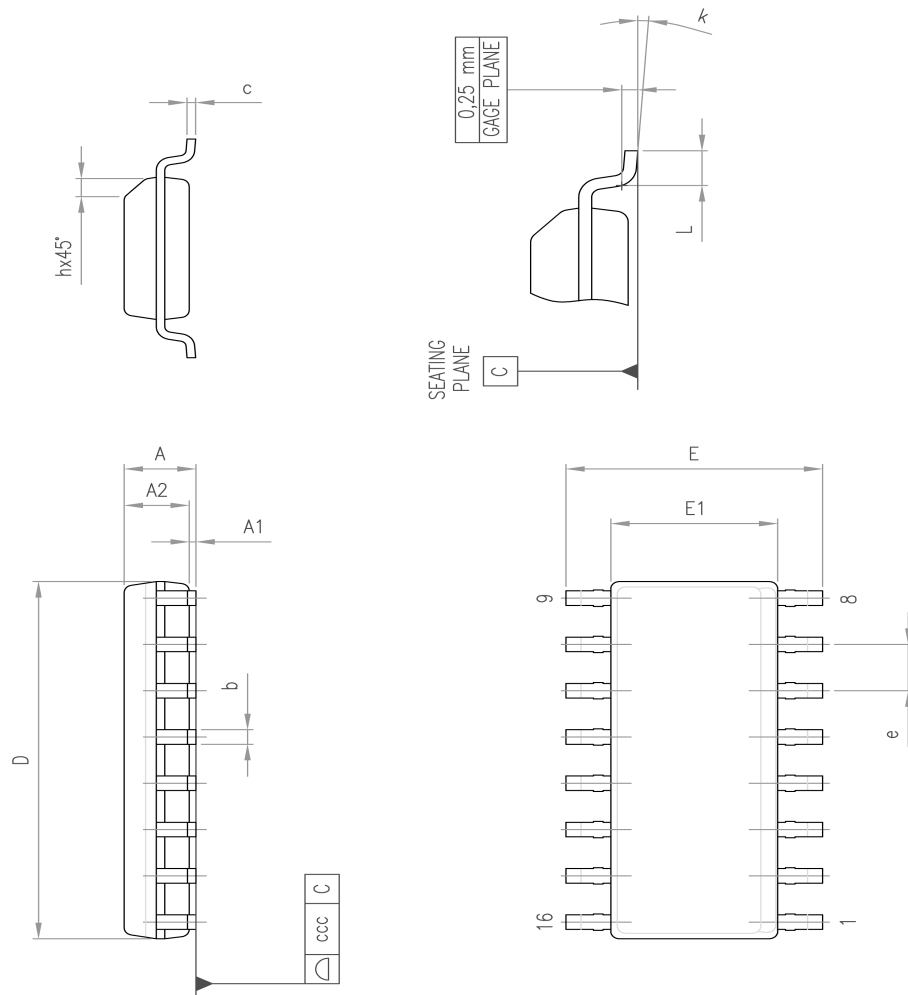


Table 10. SO16 narrow mechanical data

Dim.	mm		
	Min.	Typ.	Max.
A			1.75
A1	0.1		0.25
A2	1.25		
b	0.31		0.51
c	0.17		0.25
D	9.8	9.9	10
E	5.8	6	6.2
E1	3.8	3.9	4
e		1.27	
h	0.25		0.5
L	0.4		1.27
k	0		8
ccc			0.1

15 Order code

Table 11. Order code

Order code	Package	Packing
VIPER26LN	DIP-7	Tube
VIPER26HN		
VIPER26HD	SO16N	Tube
VIPER26HDTR		Tape and reel
VIPER26LD		Tube
VIPER26LDTR		Tape and reel

Revision history

Table 12. Document revision history

Date	Version	Changes
26-Aug-2010	1	Initial release.
01-Sep-2010	2	Updated Figure 30 on page 23.
11-Oct-2020	3	<p>Throughout document:</p> <ul style="list-style-type: none"> - updated document template - general reorganisation of sections - minor text edits <p>On cover page:</p> <ul style="list-style-type: none"> - updated Features and Description - added Product status link and Product label <p>In Section 1 Pin settings:</p> <ul style="list-style-type: none"> - updated Table 1. Pin descriptions <p>In Section 2 Electrical and thermal ratings:</p> <ul style="list-style-type: none"> - updated Table 3. Thermal data - added Figure 2. R_{th} versus area and Table 4. Avalanche characteristics <p>In Table 6. Supply section:</p> <ul style="list-style-type: none"> - updated V_{DRAIN_START} and I_{DD1} Max. values <p>In Section 3 Typical electrical characteristics:</p> <ul style="list-style-type: none"> - added Figure 16. SOA SO16N package and Figure 17. SOA DIP7 package <p>In Section 4 Typical circuits:</p> <ul style="list-style-type: none"> - updated all figures

Contents

1	Pin settings	2
2	Electrical and thermal ratings	3
2.1	Electrical characteristics	4
3	Typical electrical characteristics	7
4	Typical circuits	10
4.1	Block diagram.....	12
4.2	Typical power.....	13
5	Power section	14
6	High-voltage current generator	15
7	Oscillator	16
8	Soft startup	17
9	Adjustable current limit set point	18
10	FB pin and COMP pin	19
11	Burst mode	21
12	Automatic restart after overload or short-circuit	22
13	Open loop failure protection	23
14	Package information	25
14.1	DIP-7 package information.....	25
14.2	SO16 narrow package information.....	27
15	Order code	29
	Revision history	30
	Contents	31
	List of tables	32
	List of figures	33

List of tables

Table 1.	Pin descriptions	2
Table 2.	Absolute maximum ratings	3
Table 3.	Thermal data	3
Table 4.	Avalanche characteristics	4
Table 5.	Power section	4
Table 6.	Supply section	4
Table 7.	Controller section	5
Table 8.	VIPer26 typical power	13
Table 9.	DIP-7 package mechanical data	26
Table 10.	SO16 narrow mechanical data	28
Table 11.	Order code	29
Table 12.	Document revision history	30

List of figures

Figure 1.	Connection diagram (top view)	2
Figure 2.	R_{th} versus area.	4
Figure 3.	I_{DLIM} vs. T_J	7
Figure 4.	F_{OSC} vs. T_J	7
Figure 5.	V_{DRAIN_START} vs. T_J	7
Figure 6.	H_{COMP} vs. T_J	7
Figure 7.	G_M vs. T_J	7
Figure 8.	V_{REF_FB} vs. T_J	7
Figure 9.	I_{COMP} vs. T_J	8
Figure 10.	Operating supply current (no switching) vs T_J	8
Figure 11.	Operating supply current (switching) vs T_J	8
Figure 12.	I_{DLIM} vs. R_{LIM}	8
Figure 13.	Power MOSFET on-resistance vs T_J	8
Figure 14.	Power MOSFET breakdown voltage vs T_J	8
Figure 15.	Power MOSFET capacitance variation vs V_{DS}	9
Figure 16.	SOA SO16N package	9
Figure 17.	SOA DIP7 package.	9
Figure 18.	Thermal shutdown	9
Figure 19.	Buck converter ($V_{OUT} > V_{DDCS_{on}}$)	10
Figure 20.	Flyback converter (isolated)	10
Figure 21.	Flyback converter (primary regulation)	11
Figure 22.	Flyback converter (non isolated, $V_{OUT} \geq V_{DDCS_{on}}$)	11
Figure 23.	Flyback converter (non isolated, $V_{OUT} < V_{DDCS_{on}}$)	12
Figure 24.	Block diagram	12
Figure 25.	Power ON and power OFF	15
Figure 26.	Feedback circuit	19
Figure 27.	COMP pin voltage versus I_{DLIM}	20
Figure 28.	Load-dependent operating modes: timing diagrams.	21
Figure 29.	Timing diagram: OLP sequence	22
Figure 30.	FB pin connection for non-isolated flyback	23
Figure 31.	FB pin connection for isolated fly-back	24
Figure 32.	DIP-7 package outline	25
Figure 33.	SO16 narrow package outline.	27