

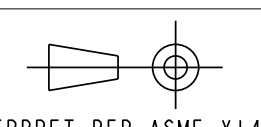
REV	SCR NO.	DESCRIPTION	BY	DATE	APPROVED
-	55286	NEW RELEASE	B.B.	04/30/10	H. COOK

NOTES:

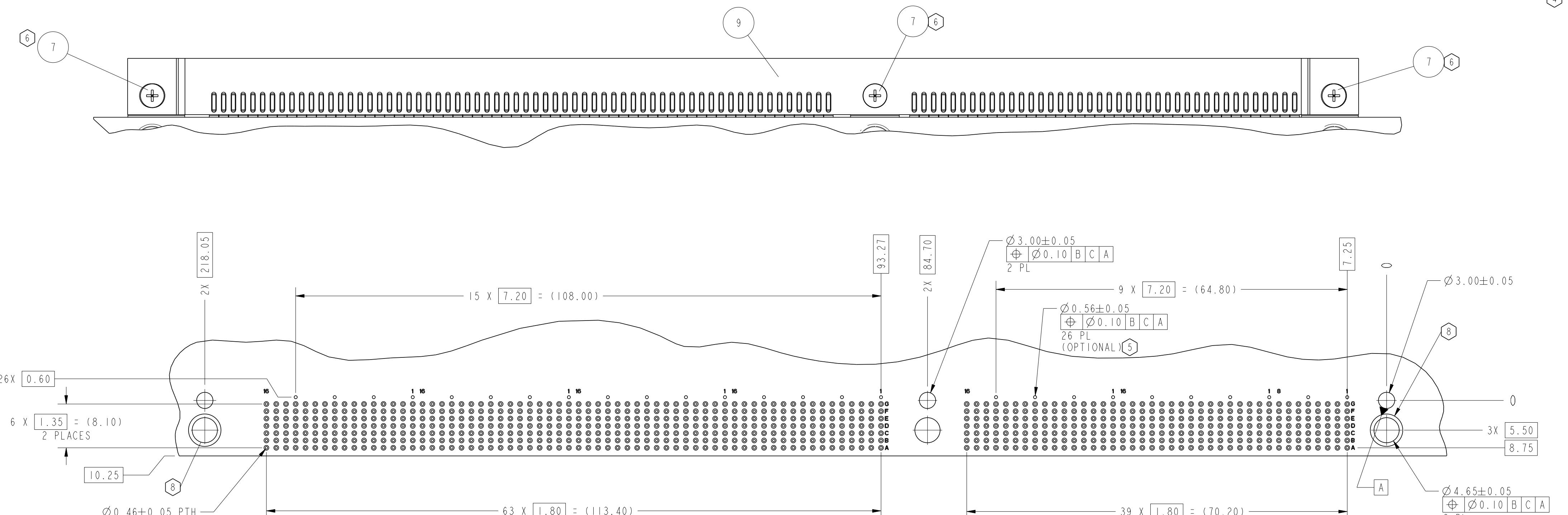
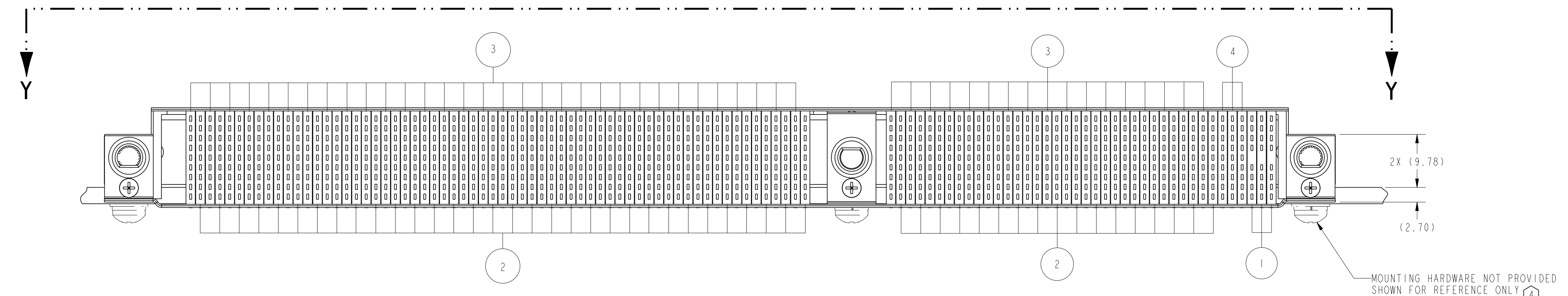
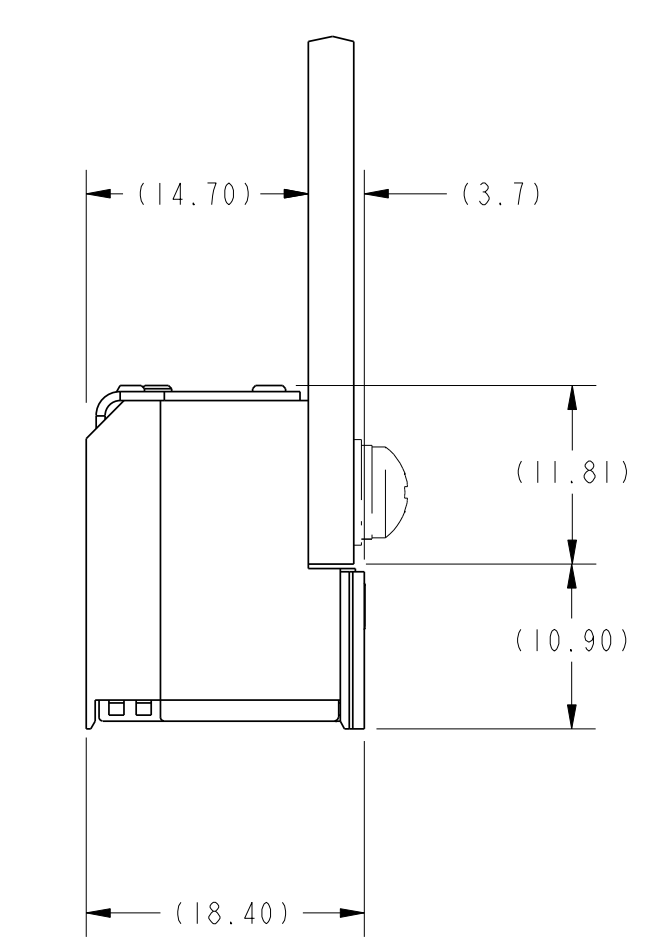
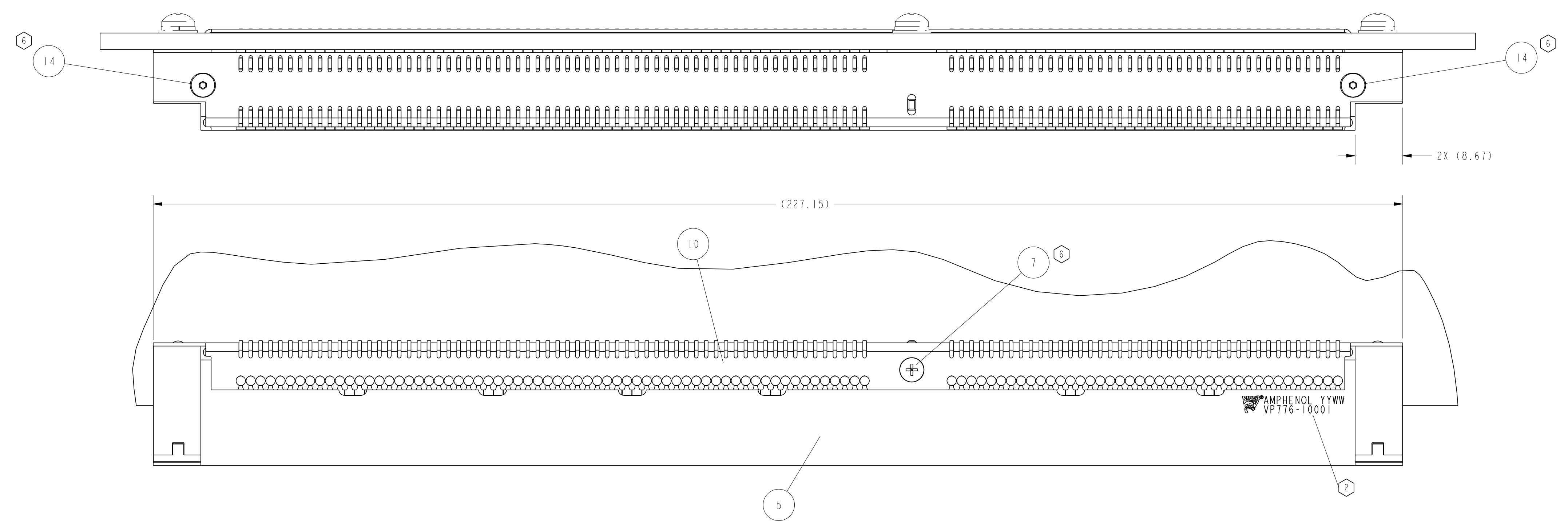
- REFER TO FOLLOWING TECH BULLETINS FOR VIPER PRODUCT SPECIFICATIONS:
 TB-2094: VIPER GENERAL PRODUCT SPECIFICATION
 TB-2095: VIPER CONNECTOR QUALIFICATION PLAN SUMMARY
 TB-2096: VIPER SIGNAL INTEGRITY CHARACTERIZATION REPORT
 TB-2097: VIPER SIGNAL TRACE ROUTING GUIDELINES BACKPLANE AND DAUGHTERCARD
 TB-2098: INSTALLATION OF RIGHT-ANGLE PRESSFIT VIPER DAUGHTERCARD CONNECTORS
 TB-2099: VIPER CONNECTOR REPAIR PROCEDURES
 TB-2100: VIPER BACKPLANE CONNECTOR PRESS-FIT INSTALLATION PROCESS
- PART MARKING AS FOLLOWS:
 FONT: 1.52 [.06"] HIGH HELVETICA
 LOGO HEIGHT 3.81 [.15"] PLACED APPROXIMATELY WHERE SHOWN
 LINE 1: "AMPHENOL" AND DATECODE (YYWW)
 LINE 2: MODULE PART NUMBER VP776-10001
- ALL GROUNDS WITHIN EACH SIGNAL WAFER ARE BUSSED TOGETHER.
- DUE TO DAUGHTERCARD THICKNESS VARIATIONS, M3 X 0.5 DAUGHTERCARD MOUNTING HARDWARE NOT INCLUDED. SCREW MUST NOT PROTRUDE MORE THAN 2.50 MILLIMETERS [.098"] BEYOND MOUNTING SURFACE OF DAUGHTERCARD TO AVOID GUIDE PIN INTERFERENCE.
- THESE HOLES ARE REQUIRED TO SUPPORT VITA 46 PRODUCT SPECIFICATION AND ARE NOT REQUIRED FOR VIPER PRODUCT LINE TO BE INSTALLED.
- AFTER KEYING AND/OR REPAIR, LOCTITE 222-MS (P/N 22231) THREAD SEALER RECOMMENDED FOR HARDWARE RETENTION.
- KEYING TO BE SPECIFIED BY CUSTOMER WHEN ORDERING. IF NO KEYING SPECIFIED KEYS ARE BAGGED AND SHIPPED UNASSEMBLED WITH CONNECTOR.
- Ø6.00 GROUND PAD ON BOTH SIDES OF THE BOARD.
- MATES WITH VJ776-10001.

DAUGHTER CARD PARTS LIST

ITEM	PART NUMBER	DESCRIPTION	MATERIAL/PLATING	QTY
1	746-2023-000	POWER WAFER	INSULATOR: LCP UL94 V0 PER MIL-M-24519 CONTACTS: OL IN C7025 TM03 PLATING: 50µ IN. GOLD OVER 150µ IN. NICKEL TIN-LEAD PLATING ON COMPLIANTS	3
2	746-2025-000	ODD DIFFERENTIAL WAFER	INSULATOR: LCP UL94 V0 PER MIL-M-24519 CONTACTS: OL IN C7025 TM03 PLATING: 50µ IN. GOLD OVER 150µ IN. NICKEL TIN-LEAD PLATING ON COMPLIANTS	49
3	746-2026-000	EVEN DIFFERENTIAL WAFER	INSULATOR: LCP UL94 V0 PER MIL-M-24519 CONTACTS: OL IN C7025 TM03 PLATING: 50µ IN. GOLD OVER 150µ IN. NICKEL TIN-LEAD PLATING ON COMPLIANTS	49
4	746-2024-000	SINGLE ENDED WAFER	INSULATOR: LCP UL94 V0 PER MIL-M-24519 CONTACTS: OL IN C7025 TM03 PLATING: 50µ IN. GOLD OVER 150µ IN. NICKEL TIN-LEAD PLATING ON COMPLIANTS	3
5	846-0067-000	6U DC CONNECTOR FRAME	STAINLESS STEEL, TYPE 303, PASSIVATED	1
6	800-7221-100	ESD GROUNDING SLEEVE	CDA172 B&Cu, GOLD OVER NICKEL PLATING	2
7	800-7216-100	2-56 FLATHEAD 100° SCREW	300 SERIES STAINLESS STEEL	4
8	800-7291-100	1-64 FLATHEAD 82° SCREW	300 SERIES STAINLESS STEEL	3
9	846-0068-000	FRONT STIFFENER	STAINLESS STEEL, TYPE 301, 1/2 HARD FINISH: MIL 2B	1
10	846-0069-000	BACK STIFFENER	STAINLESS STEEL, TYPE 301, 1/2 HARD FINISH: MIL 2B	1
11	846-0104-000	DC KEY BUSHING	STAINLESS STEEL, TYPE 440, PASSIVATED	3
12	846-0073-000	GUIDANCE KEYING END CAPS	STAINLESS STEEL, TYPE 440, PASSIVATED	2
13	846-0074-000	GUIDANCE KEYING CENTER CAP	STAINLESS STEEL, TYPE 440, PASSIVATED	1
14	800-7621-100	1-72 FLATHEAD X .25 L HEX DRIVE	STEEL BLACK OXIDE FINISH	2

PROENGINEER PART	0.0 ±	DWN 04707710 B. BAILEY	Amphenol Corporation AMPHENOL BACKPLANE SYSTEMS NASHUA, NH 03063
VIPER_DC_VARIANT-C_ASSEM	0.00 ±	CHK 04727710 R. CHIFFY	
PROENGINEER DRAWING	0.000 ±	APVD 04730710 H. COOK	TITLE VIPER VARIANT "C" CONNECTOR, DAUGHTERCARD DIFFERENTIAL 6U CONFIGURATION
CVP77610001	UNLESS OTHERWISE SPECIFIED DIMENSIONS ARE IN MILLIMETERS		PART NO. VP776-10001
 INTERPRET PER ASME Y14.5M CODE IDENT 55KX1	CUSTOMER USE DRAWING		DRAWING NO. C-VP776-10001
			SIZE D SCALE 2/1 SHEET 1 OF 4

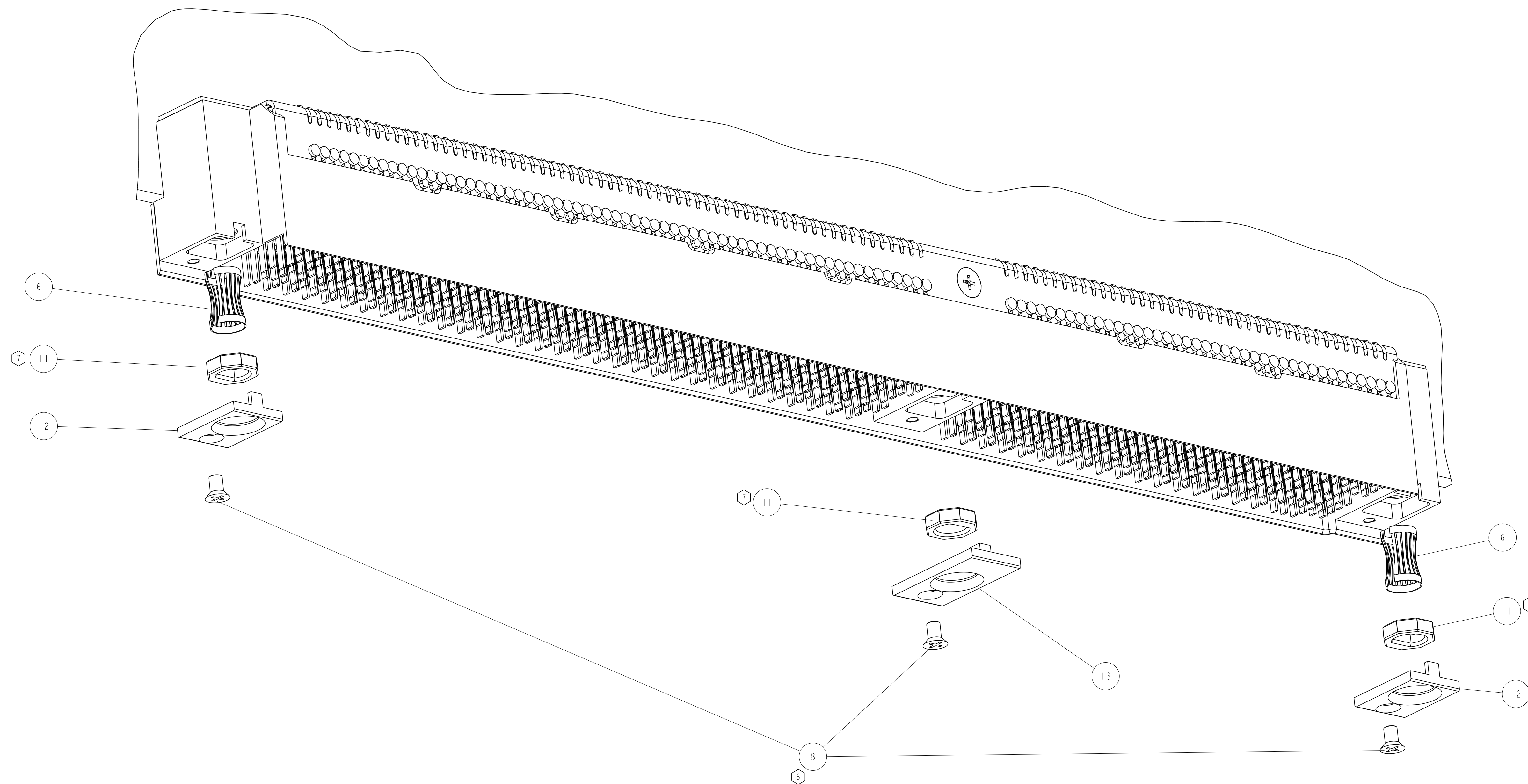
DWG NO: C-VP776-10001 SH 1 REV -



VIEW Y-Y
 (COMPONENTS REMOVED FOR CLARITY)
 DAUGHTERCARD HOLE PATTERN AS VIEWED FROM THE CONNECTOR SIDE OF PWB

CUSTOMER USE DRAWING	PART NO.	VP776-10001	REV	-
	DRAWING NO.	C-VP776-10001	REV	-
	SIZE	D	SCALE	2/1
CODE IDENT	55KX1	SHEET 2 OF 4		

DWG NO: C-VP776-10001 SH 2 REV -



GUIDANCE / KEYING / ESD
 HARDWARE EXPLODED VIEW
 SCALE 3/1

CODE IDENT 55KX1

CUSTOMER
 USE
 DRAWING

PART NO.	VP776-10001	REV	-
DRAWING NO.	C-VP776-10001	REV	-
SIZE	D	SCALE	2/1
		SHEET	3 OF 4