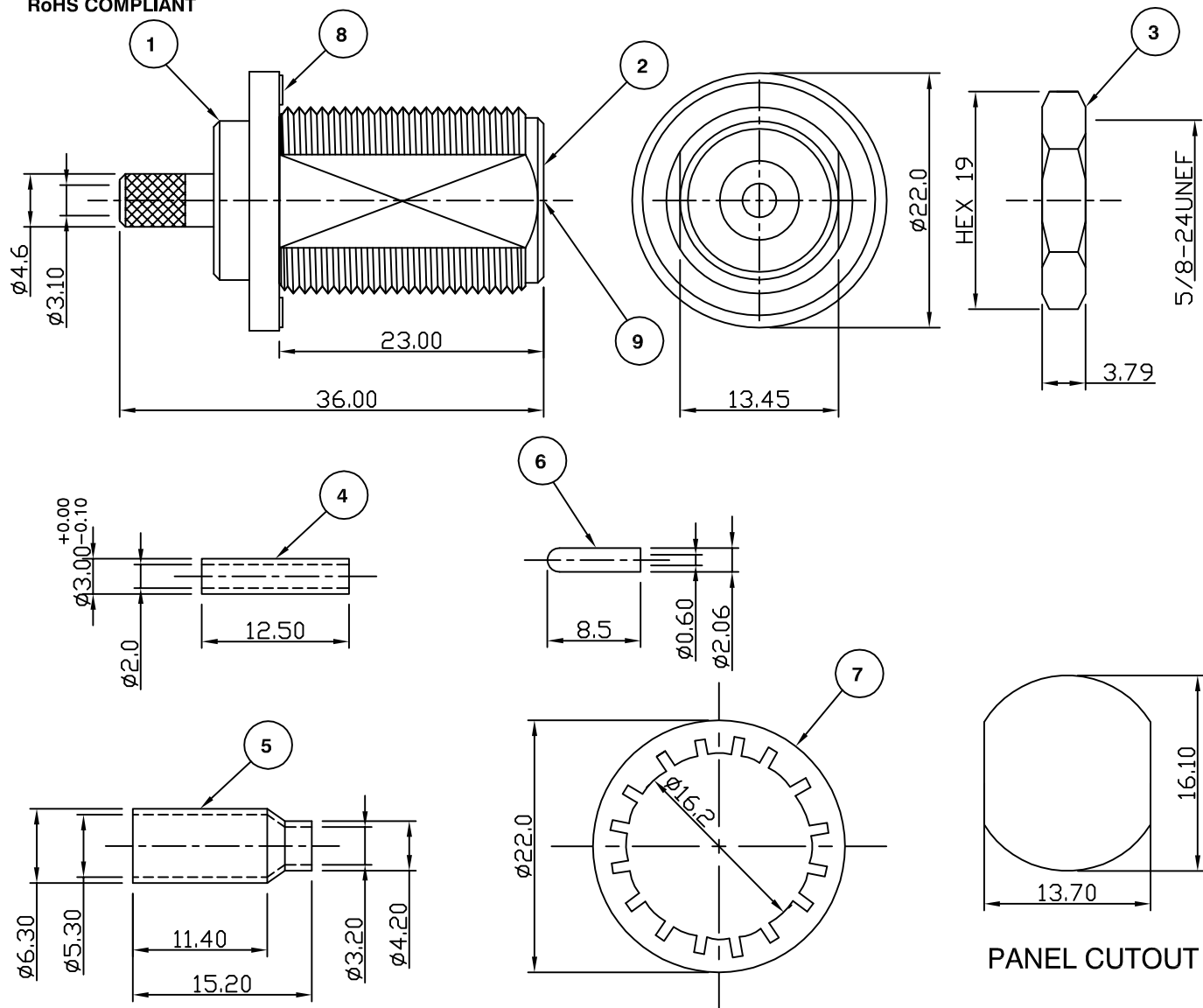


RoHS COMPLIANT



Electrical Characteristics

Nominal Impedance:	50 ohms
Frequency Range:	DC to 11 GHz
VSWR:	1.35:1 maximum
Insertion Loss:	0.17 dB maximum
Operating Voltage (rms):	1500 V maximum at sea level
Dielectric Withstand Voltage (rms):	2500 V maximum at sea level
Contact Resistance:	1.0 milliohms maximum
Insulation Resistance:	5000 megohms minimum

Mechanical Characteristics

Mating Cycles:	500 cycles minimum
Interface Dimensions:	Conform to MIL-C-39012

Environmental Characteristics

Temperature Range:	-65 °C to +165 °C
--------------------	-------------------

PART	DESCRIPTION	
1	Body	Brass, nickel plated
2	Dielectric	PTFE
3	Nut	Brass, nickel plated
4	Dielectric	PTFE
5	Ferrule	Brass, nickel plated
6	Contact	Brass, gold plated
7	Washer	Brass, nickel plated
8	Gasket	Silicon Rubber, orange
9	Contact	Phosphor Bronze, gold

DESCRIPTION OF REVISION	APPVD	ISS	DATE
Panel cutout added	PDC	4	28 Oct 02
Flange dimension added	PDC	3	25 Oct 02
Removal of "WP" from part number	SN	2	09 Sep 02
First Issue	SN	1	15 Feb 02

For stripping and assembly instructions see Drawing Number: VAIN4101



Cinch Connectivity Solutions
7-13 Russel Way,
Widford Industrial Estate,
Chelmsford, Essex,
CM1 3AA, UK.
Tel: +44 (0) 1245 359515
Fax: +44 (0) 1245 358938

SCALE: Not To Scale

DIMENSIONS: mm

TOLERANCES:
± 0.2mm unless
otherwise stated

DRAWN BY:

P Couzens

CHECKED BY:

S Nash

APPROVED BY:

S Nash

DATE:

28 Oct 02

TITLE:

N Crimp Bulkhead Jack for
RG174

PART NUMBER:

VN40-2087

PAGE: 1 of 1