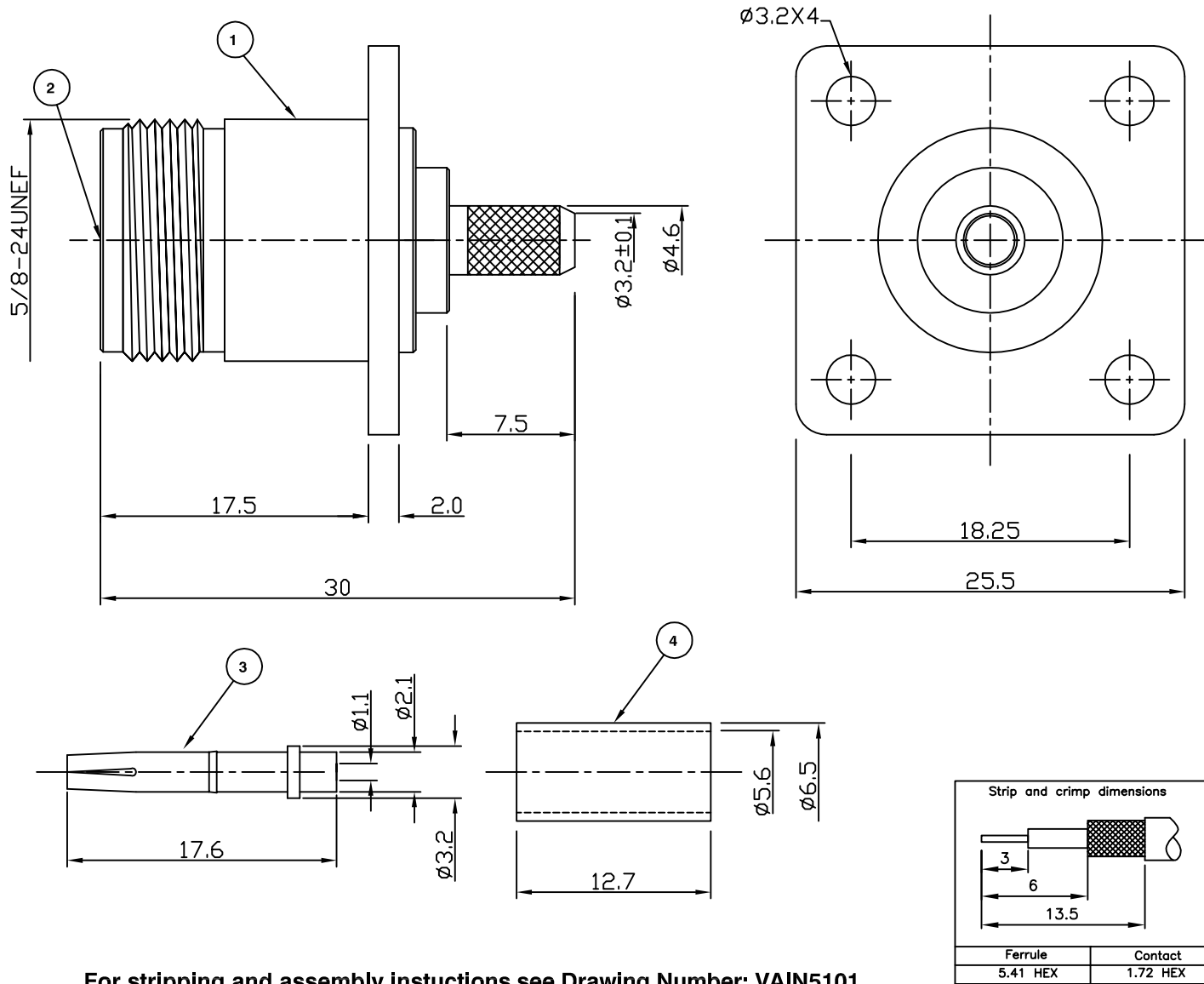


RoHS COMPLIANT



Electrical Characteristics

Nominal Impedance:	50 ohms
Frequency Range:	DC to 11 GHz
VSWR:	1.35:1 maximum
Insertion Loss:	0.17dB max
Operating Voltage (rms):	1500 V maximum at sea level
Dielectric Withstand Voltage (rms):	2500 V maximum at sea level
Contact Resistance:	1.0 milliohms maximum
Insulation Resistance:	5000 megohms minimum

Mechanical Characteristics

Mating Cycles:	500 cycles minimum
Interface Dimensions:	Conform to MIL-C-39012

Environmental Characteristics

Temperature Range:	-65 °C to +165 °C
--------------------	-------------------

	PART	DESCRIPTION
1	Body	Brass, nickel plated
2	Dielectric	PTFE
3	Contact	Brass, gold plated
4	Ferrule	Brass, nickel plated

Address & RoHS Update	JT	4	25 Mar 10
Up Issued	MS	3	17 Jul 07
Up Issued	SN	2	10 Mar 04
First Issue	SN	1	15 Aug 02
DESCRIPTION OF REVISION	APPVD	ISS	DATE

For stripping and assembly instructions see Drawing Number: VAIN5101



Cinch Connectivity Solutions
 7-13 Russel Way,
 Widford Industrial Estate,
 Chelmsford, Essex,
 CM1 3AA, UK.
 Tel: +44 (0) 1245 359515
 Fax: +44 (0) 1245 358938

SCALE: Not To Scale	DRAWN BY:	M Spooner
DIMENSIONS: mm	CHECKED BY:	B. Thomas
TOLERANCES: ± 0.2mm unless otherwise stated	APPROVED BY:	M Spooner
	DATE:	17 Jul 07

TITLE:
**N Crimp Flange Mount
 Jack for RG58**

PART NUMBER:
VN50-2051

PAGE: 1 of 1