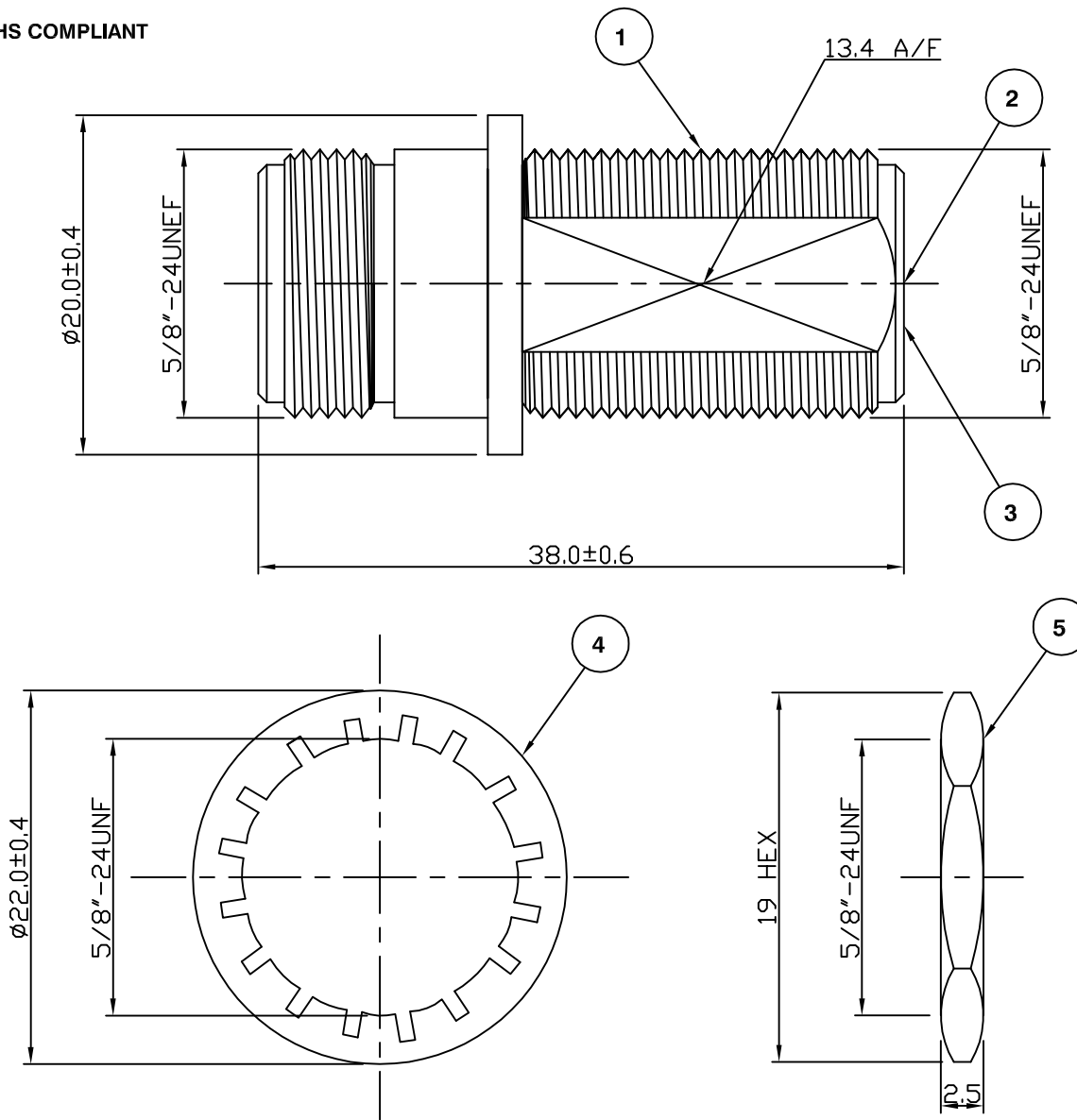


RoHS COMPLIANT



Electrical Characteristics

Nominal Impedance:	50 ohms
Frequency Range:	DC to 11 GHz
Operating Voltage (rms):	1500 V maximum at sea level
Dielectric Withstand Voltage (rms):	2500 V maximum at sea level
Contact Resistance:	1.0 milliohms maximum
Insulation Resistance:	5000 megohms minimum

Mechanical Characteristics

Mating Cycles:	500 cycles minimum
Interface Dimensions:	Conform to MIL-C-39012

Environmental Characteristics

Temperature Range:	-55 °C to +85 °C
--------------------	------------------

PART	DESCRIPTION
1	Body Brass, nickel plated
2	Contact Brass, gold plated
3	Dielectric POM
4	Washer Brass, nickel plated
5	Nut Brass, nickel plated

Panel Cut-out: PCD-11

DESCRIPTION OF REVISION	APPVD	ISS	DATE
Address & RoHS Update	JT	5	25 Mar 10
Dimensions added	SN	4	09 Mar 04
CAD Issue	SN	3	18 Mar 03
Dimensional change	AT	2	15 Oct 99
First Issue	AT	1	16 Feb 96



Cinch Connectivity Solutions
7-13 Russel Way,
Widford Industrial Estate,
Chelmsford, Essex,
CM1 3AA, UK.
Tel: +44 (0) 1245 359515
Fax: +44 (0) 1245 358938

SCALE: Not To Scale

DIMENSIONS: mm

TOLERANCES:
± 0.2mm unless
otherwise stated

DRAWN BY:

S Nash

CHECKED BY:

P Couzens

APPROVED BY:

P Couzens

DATE:

09 Mar 04

TITLE:

N Bulkhead Jack to Jack
Adaptor (Double Flats)

PART NUMBER:

VNA100-1

PAGE: 1 of 1