

Conductive Sensors Level Probes Types VN, VNY, VPC, VPP

CARLO GAVAZZI



- 1 to 4 electrodes
- Isolated or unisolated electrodes
- Cable or screw connection
- 1/2", 1" or 1 1/2" without pipe thread according to ISO 228/1-Gxxx"



Product Description

Level sensor for measuring the level of conductive liquids, i.e. max./min. control of charging or discharging. The function is determined

by the amplifier relay used. The sensors are delivered with standard length electrodes - these are cut off to suit the application.

Ordering Key

VPC 110

Type _____
Housing material _____
Number of electrodes _____
Thread _____

Type Selection

Pipe thread	Electrode isolation	Housing Material	Ordering no. 1 electrode	Ordering no. 2 electrodes	Ordering no. 3 electrodes	Ordering no. 4 electrodes
1 1/2"	No	Nylon 6	VN 1	VN 2	VN 3	VN 4
1 1/2"	No	Nylon 6	VNY 1	VNY 2	VNY 3	VNY 4
1 1/2"	Polyethylene	Nylon 6	VNI 1	VNI 2	VNI 3	VNI 4
1 1/2"	Polyethylene	Nylon 6	VNYI 1	VNYI 2	VNYI 3	VNYI 4
1/2"	Polyethylene	PVC	VPC 105	VPC 205		
1"	Polyethylene	PVC	VPC 110	VPC 210	VPC 310	
1/2"	Kynar (PVDF)	Polypropylene	VPP 105	VPP 205		
1"	Kynar (PVDF)	Polypropylene	VPP 110	VPP 210	VPP 310	

Specifications

Electrodes

Material	Stainless steel AISI316/DIN1.4401
Standard length VN, VNY VPC, VPP	100 cm 50 cm
Diameter VN, VNY VPC, VPP	Ø 5 mm Ø 4 mm

Housing

Connection VN VNY, VPC, VPP	Cable (PVC), 2 m Screw terminals
-----------------------------------	-------------------------------------

Environment

Degree of protection	IP 67
Operating temperature VN, VNY VPC VPP	0 to 90°C (32° to 194 °F) 0 to 60°C (32° to 140 °F) 0 to 100°C (32° to 212 °F)
Storage temperature VN, VNY VPC, VPP	-25° to 100°C (-13° to 212°F) -20° to 110°C (-40° to 230°F)
Pressure VN, VNY, VPP VPC	10 bar at 60°C 2 bar at 60°C

CE marking

IEC 529

Mode of Operation

The length of the electrodes determines the levels which will be detected and the amplifier chosen determines the function (see SV...,

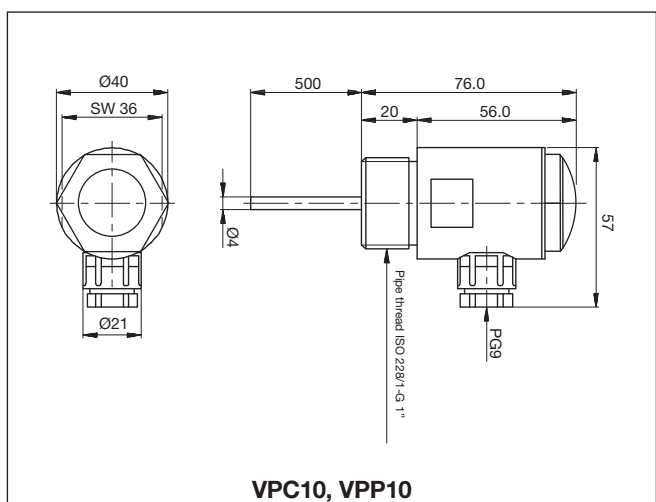
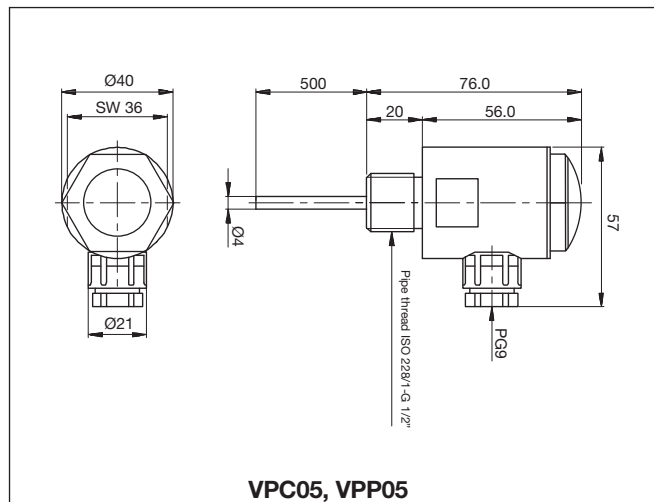
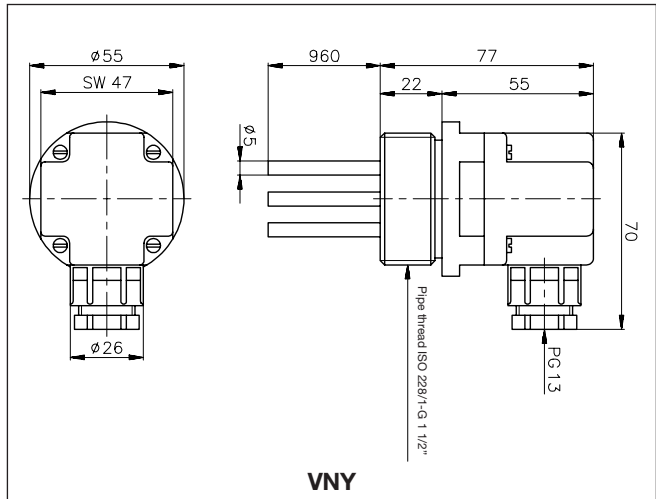
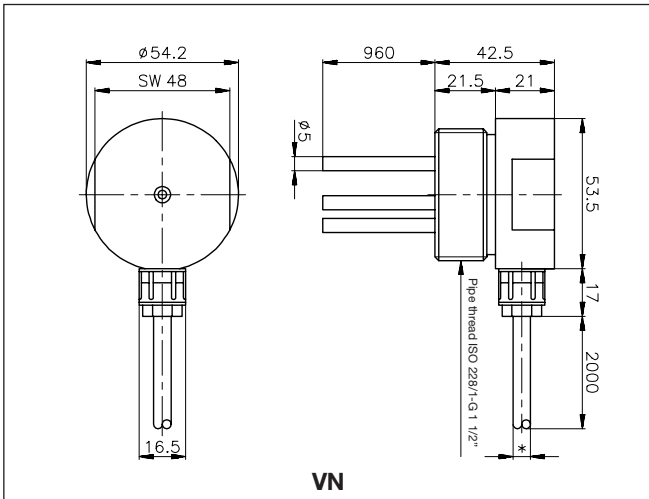
S195/196, S1961, ELA, ELC or ELD). If the container is made of a conductive material this can be used as common electrode.

Accessories

Extension joint for Ø5 mm electrodes (VN/VNI):

VD1

Dimensions



Wiring Diagrams

