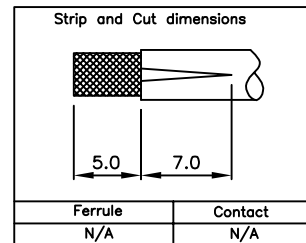
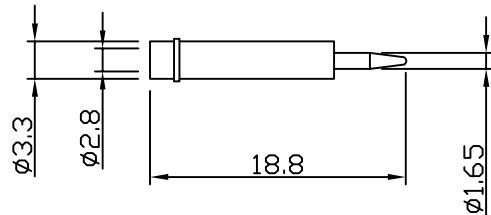
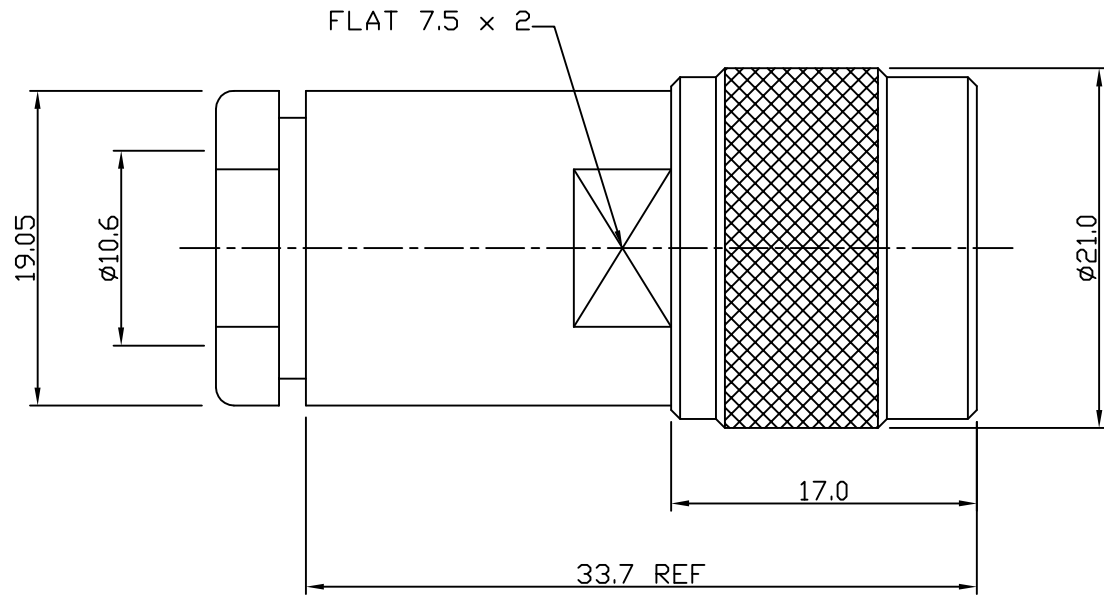


RoHS COMPLIANT



Electrical Characteristics

Nominal Impedance:	50 ohms
Frequency Range:	DC to 11 GHz
VSWR:	1.35:1 maximum
Insertion Loss:	0.17 dB max
Operating Voltage (rms):	1500 V maximum at sea level
Dielectric Withstand Voltage (rms):	2500 V maximum at sea level
Contact Resistance:	1.0 milliohms maximum
Insulation Resistance:	5000 megohms minimum

Mechanical Characteristics

Mating Cycles:	500 cycles minimum
Interface Dimensions:	Conform to MIL-C-39012

Environmental Characteristics

Temperature Range:	-55 °C to +85 °C
--------------------	------------------

PART	DESCRIPTION
1	Back Nut Brass, nickel plated
2	Washer Brass, nickel plated
3	Gasket Rubber
4	Clamp Brass, nickel plated
5	Body Brass, nickel plated
6	Insulator Teflon
7	Insulator Teflon
8	Contact Brass, gold plated

DESCRIPTION OF REVISION	APPVD	ISS	DATE
Design Change	JC	2	28 June 12
First Issue	RP	1	19 Apr 07

For stripping and assembly instructions see Drawing Number: VAIN1206



Cinch Connectivity Solutions
7-13 Russel Way,
Widford Industrial Estate,
Chelmsford, Essex,
CM1 3AA, UK.
Tel: +44 (0) 1245 359515
Fax: +44 (0) 1245 358938

SCALE: Not To Scale	DRAWN BY:	R Presland
DIMENSIONS: mm	CHECKED BY:	M Spooner
TOLERANCES: ± 0.2mm unless otherwise stated	APPROVED BY:	M Spooner
	DATE:	19 Apr 07

TITLE:
**N Clamp Plug for
RA519/LMR400**

PART NUMBER:
VNS10-2021

PAGE: 1 of 1