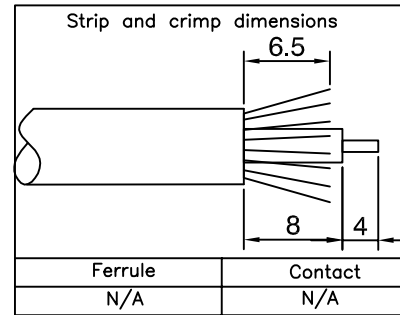
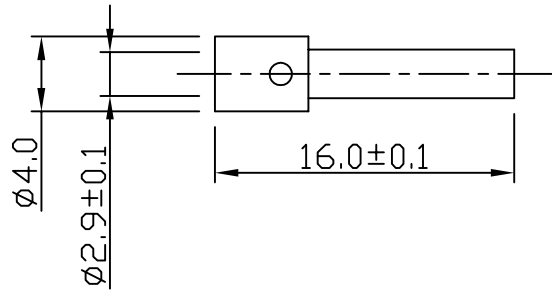
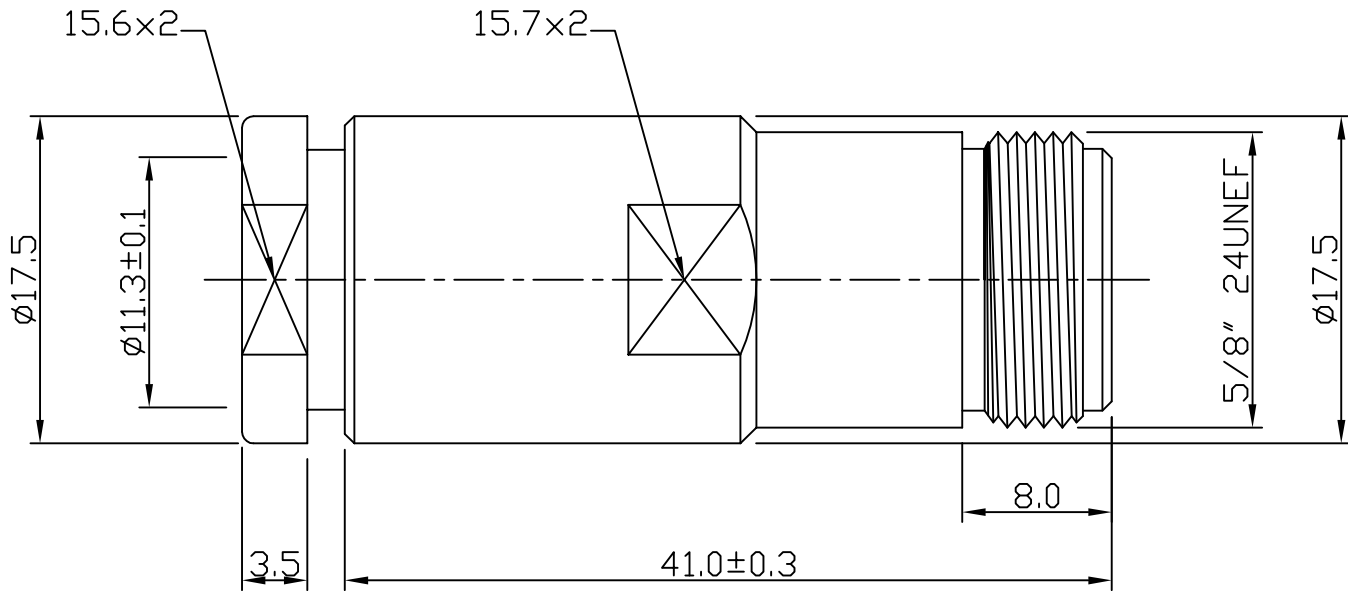


RoHS COMPLIANT



Electrical Characteristics

Nominal Impedance:	50 ohms
Frequency Range:	DC to 11 GHz
VSWR:	1.3:1 maximum
Insertion Loss:	0.3 dB at 10 GHz
Operating Voltage (rms):	1000 V maximum at sea level
Dielectric Withstand Voltage (rms):	2500 V maximum at sea level
Contact Resistance:	1.0 milliohms maximum
Insulation Resistance:	5000 megohms minimum

Mechanical Characteristics

Mating Cycles:	500 cycles minimum
Interface Dimensions:	Conform to MIL-C-39012

Environmental Characteristics

Temperature Range:	-55 °C to +85 °C
--------------------	------------------

	PART	DESCRIPTION
1	Body	Brass, nickel plated
2	Gasket	Rubber
3	Contact	Brass, gold plated
4	Dielectric	POM

First Issue	SN	1	24 May 02
DESCRIPTION OF REVISION	APPVD	ISS	DATE

For stripping and assembly instructions see Drawing Number: VAIN3202



Cinch Connectivity Solutions
7-13 Russel Way,
Widford Industrial Estate,
Chelmsford, Essex,
CM1 3AA, UK.
Tel: +44 (0) 1245 359515
Fax: +44 (0) 1245 358938

SCALE: Not To Scale

DIMENSIONS: mm

TOLERANCES:
± 0.2mm unless
otherwise stated

DRAWN BY:	S Nash
CHECKED BY:	P Couzens
APPROVED BY:	P Couzens
DATE:	24 May 02

TITLE:
N Clamp Plug for RA519

PART NUMBER:
VNS30-2021

PAGE: 1 of 1