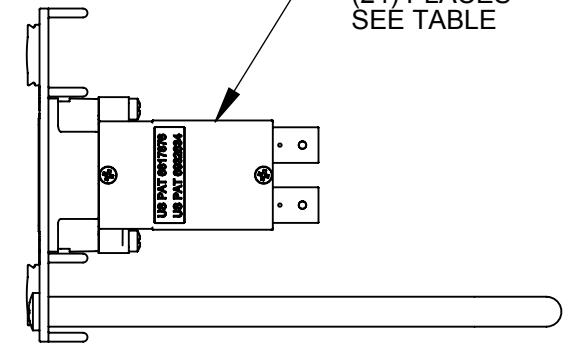


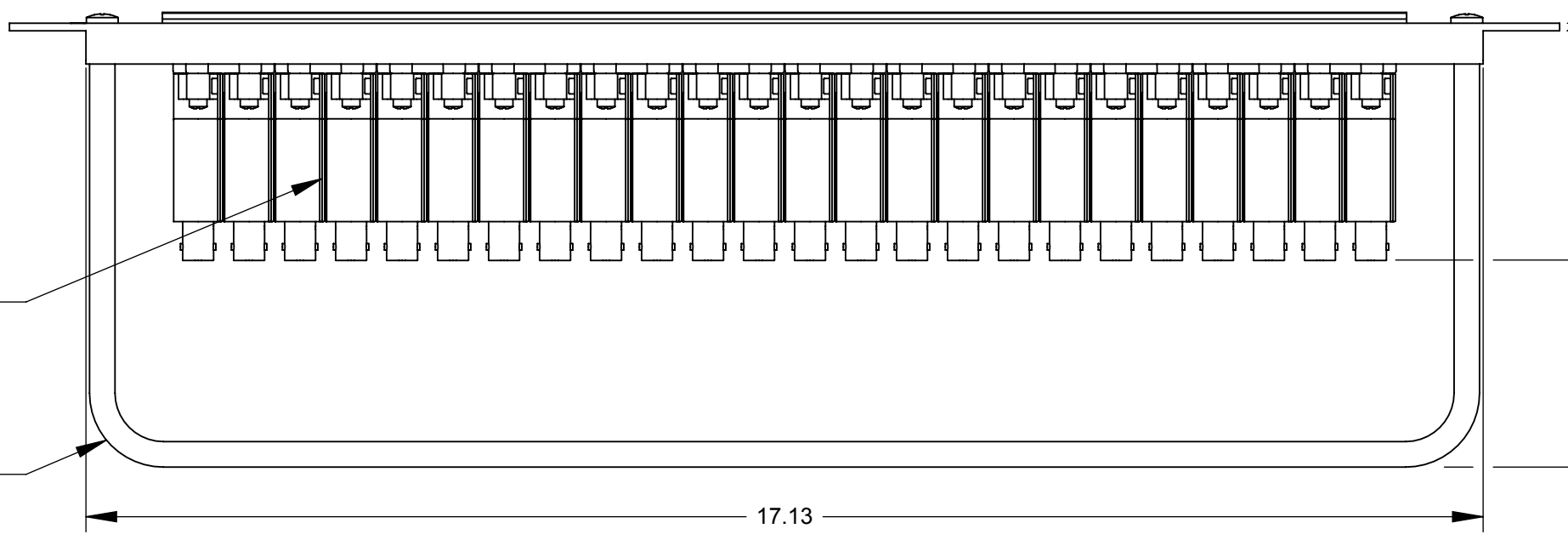
FRONT PANEL

VIDEO JACK
(24) PLACES
SEE TABLE



MODULAR INSERT
(12) PLACES

HORIZONTAL MARKING STRIP AND
DESIGNATION STRIP COVER



INSULATING STICKER
(23) PLACES

CABLE SUPPORT

PART NUMBER	VIDEO JACK
VPP24K3HD75TX	VJHD75TZ
VPP24K3HDNTX	VJHDNTZ
VPP24K3HDN75TX	VJHDN75TZ
VPP24K3HDNNTX	VJHDNNTZ

CUSTOMER DRAWING

NOTES:

- MATERIALS:
 FRONT PANEL - ALUMINUM, BLACK ANODIZE
 MODULAR INSERTS - THERMOPLASTIC, BLACK
 VIDEO JACKS - ZINC, NICKEL PLATED
 HORIZONTAL MARKING STRIP - THERMOPLASTIC, WHITE
 DESIGNATION STRIP COVER - THERMOPLASTIC, CLEAR
 CABLE SUPPORT - STEEL, BLACK EPOXY
 SCREWS - STEEL, ZINC OR NICKEL PLATED
 INSULATING STICKER - THERMOPLASTIC
- SUPPLIED WITH (4) #12-24 MOUNTING SCREWS.
- THIS PRODUCT IS RoHS COMPLIANT.

REV	ECO NUMBER	DATE	BY	APVD
B	25996	12/9/08	RS	TJK
A	25889	7/9/08	RS	TJK
REVISIONS				

UNLESS OTHERWISE SPECIFIED

1. ALL DIMENSIONS IN INCHES
 - TWO PLACE DECIMALS ±0.02
 - THREE PLACE DECIMALS ±0.005

DO NOT SCALE DRAWING

THIS DRAWING DESCRIBES A DESIGN CONSIDERED PROPRIETARY IN NATURE, DEVELOPED AND MANUFACTURED BY SWITCHCRAFT INC. AND IS RELEASED ON A CONFIDENTIAL BASIS FOR IDENTIFICATION PURPOSES ONLY.									
SIZE	WIDTH	MULT	LBS/M	TEMPER					
FINISH					MATERIAL				
SPEC No.					SPEC No.				
FIRST USED ON				SCALE 1:2					
DATE DRAWN	BY	CHKD	APVD	Switchcraft [®]					
6/2/08	AH	AH	BDS						
NAME				PART No.				REV	
VIDEO JACK PATCHBAY, RoHS				VPP24K3HD_X SERIES				B	