

NOTES

- ① BURNDY trade mark.
- ② Contacts cavity identification number.
- ③ VOLVO trade mark and VOLVO catalog number.
- ④ Material marking of plastics parts.
- ⑤ Mould' cavity identification number.

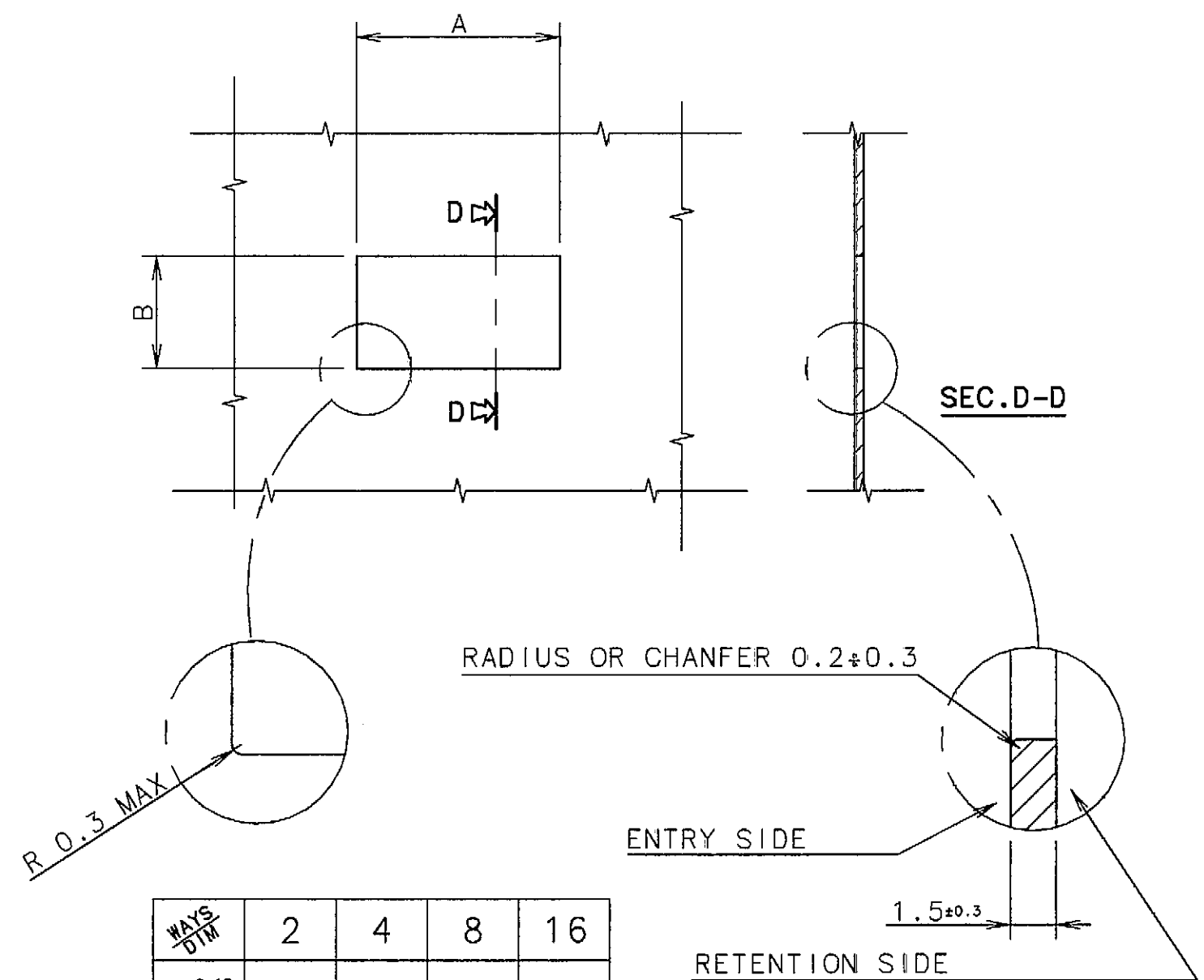
SHEET
1 of 2

BSC305831

16	35.0	51.1	57.0	44.2	38.9	500
8	15.0	31.1	37.0	24.2	18.9	1000
4	5.0	21.1	27.0	14.2	8.9	1500
2	-	16.1	22.0	9.2	3.9	1500
NO. OF WAYS	A±0.1	B ₀ ^{+0.25}	E	G ±0.1	H	Q.TY BOX

Description : VT92 MALES HOLDER CONNECTORS		Cat. No : SEE TABLE ON SHEET 2 OF 2	
Draft <i>[Signature]</i>	This is our exclusive property. It is not to be copied, reprinted or disclosed to a third party, nor used for manufacturing, without our written consent, and has to be returned to us in case of no usage.	European projection Not to scale All dimensions in mm Tolerances ± 0.3 mm Unless otherwise specified	FCI FRAMATOME CONNECTORS INTERNATIONAL Framatome Connectors Italia S.p.A.
Date 02/07/97			
We reserve the right to change dimensions or requirements without prior notice.		Rev 07	

TYPE	POLARIZATION TABLE	NO. OF WAYS	Z±0.2	COLOUR	BURNDY CATALOG NUMBER
J		2	—	BLACK	VT92RH02BK*T
J		4	—	BLACK	VT92RH04BK*T
J		8	—	BLACK	VT92RH08BK*T
A		8	3.35	WHITE	VT92RH08WH*T
C		8	8.35	YELLOW	VT92RH08YE*T
E		8	13.35	RED	VT92RH08RD*T
G		8	18.35	VIOLET	VT92RH08VL*T
J		16	—	BLACK	VT92RH16BK*T
B		16	5.85	GREY	VT92RH16GY*T
F		16	15.85	LIGHT BLUE	VT92RH16BL*T



WAYS DIM	2	4	8	16
A ^{+0.15}	18.4	23.4	33.4	53.4
B ^{+0.15}	18.4	18.4	18.4	18.4

**RECOMMENDED MALES HOLDER
PANEL MOUNT HOLES**

Description : VT92 MALES HOLDER CONNECTORS		Cat. No : SEE TABLE	
Draft <i>Luigi</i> Date 02/07/97 We reserve the right to change dimensions or requirements without prior notice.	This is our exclusive property. It is not to be copied, reprinted or disclosed to a third party, nor used for manufacturing, without our written consent, and has to be returned to us in case of no usage.	European projection Not to scale All dimensions in mm Tolerances ± 0.3 mm Unless otherwise specified	 FCI FRAMATOME CONNECTORS INTERNATIONAL Framatome Connectors Italia S.p.A. BSC305831 Customer drawing
			Rev 07