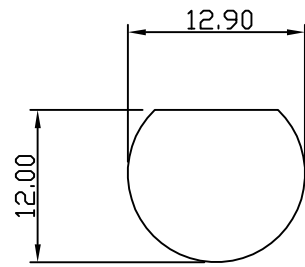
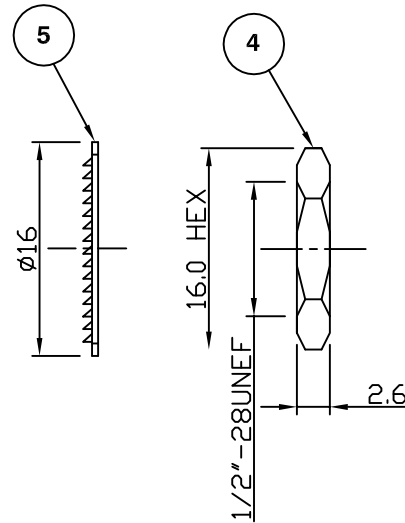
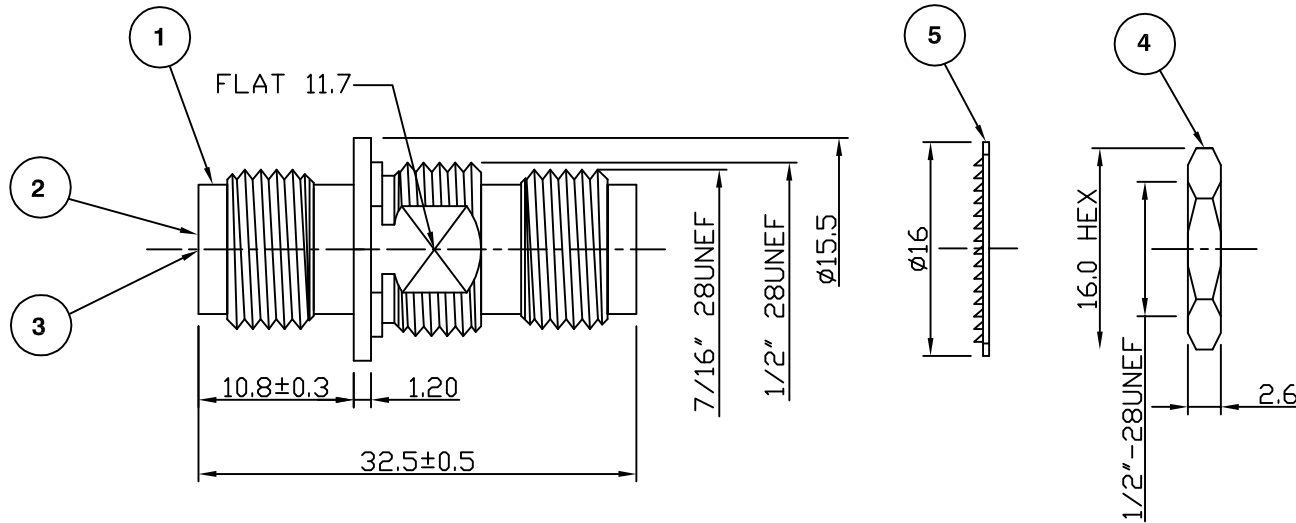


RoHS COMPLIANT



Panel Cutout

Electrical Characteristics

Nominal Impedance:	50 ohms
Frequency Range:	DC to 11 GHz
Operating Voltage (rms):	500 V maximum at sea level
Dielectric Withstand Voltage (rms):	1500 V maximum at sea level
Contact Resistance:	3.0 milliohms maximum
Insulation Resistance:	5000 megohms minimum

Mechanical Characteristics

Mating Cycles:	500 cycles minimum
Interface Dimensions:	Conform to MIL-C-39012

Environmental Characteristics

Temperature Range:	-55 °C to +85 °C
--------------------	------------------

PART	DESCRIPTION	
1	Body	Brass, nickel plated
2	Insulator	POM
3	Contact	Brass, gold plated
4	Nut	Brass, nickel plated
5	Washer	Brass, nickel plated

Drawing update	MS	2	27 Jan 10
First Issue	AT	1	25 Apr 06
DESCRIPTION OF REVISION	APPVD	ISS	DATE



Cinch Connectivity Solutions
 7-13 Russel Way,
 Widford Industrial Estate,
 Chelmsford, Essex,
 CM1 3AA, UK.
 Tel: +44 (0) 1245 359515
 Fax: +44 (0) 1245 358938

SCALE: Not To Scale	DRAWN BY:	A Tusi
DIMENSIONS: mm	CHECKED BY:	M.Spooner
TOLERANCES: ± 0.2mm unless otherwise stated	APPROVED BY:	M.Spooner
	DATE:	25 Apr 06

TITLE:
**TNC Jack to TNC
 Bulkhead Jack Adaptor**

PART NUMBER:
VTA100-1
 PAGE: 1 of 1