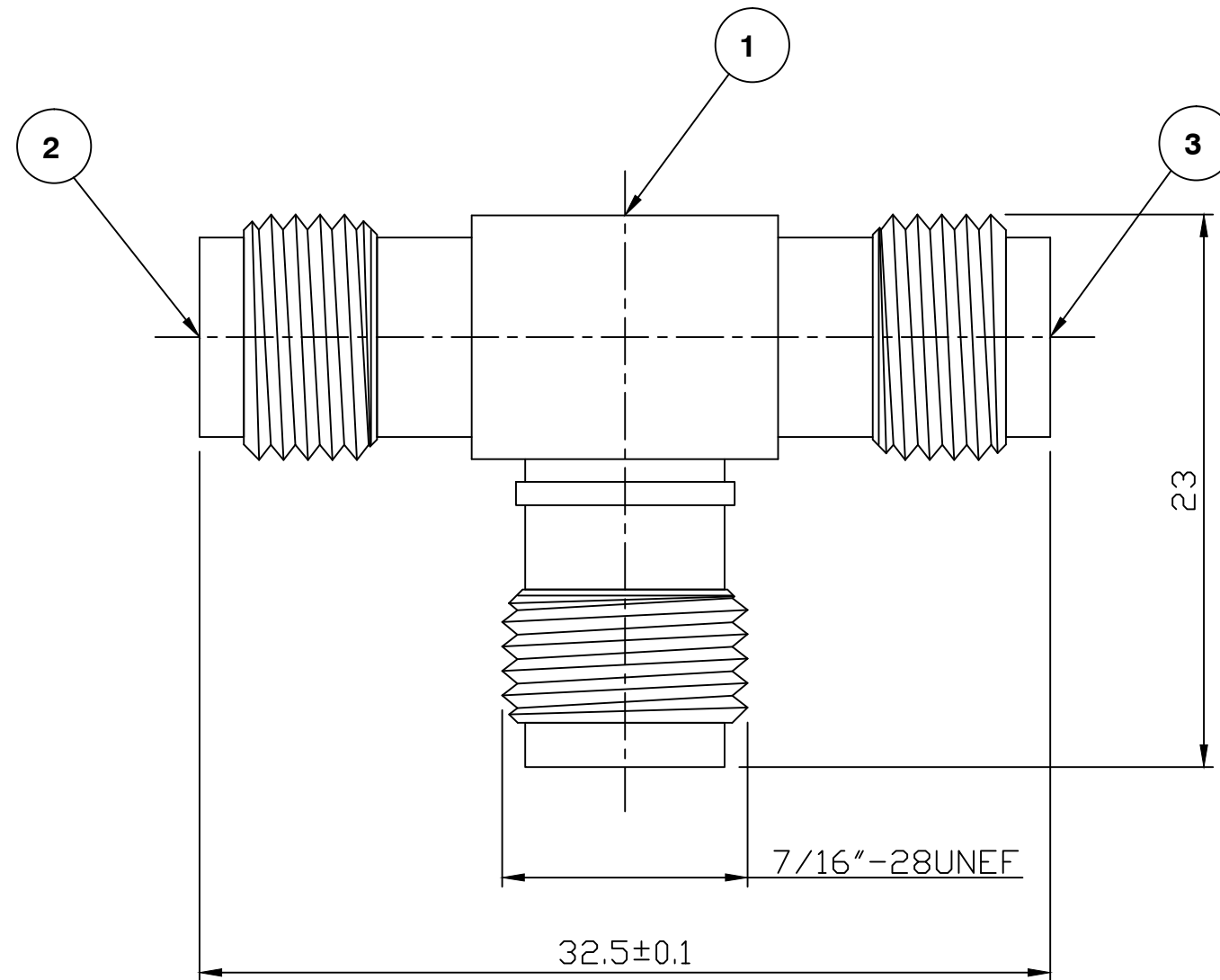


RoHS COMPLIANT



Electrical Characteristics

Nominal Impedance: 50 ohms
 Frequency Range: DC to 11 GHz
 Operating Voltage (rms): 500 V maximum at sea level
 Dielectric Withstand Voltage (rms): 1500 V maximum at sea level
 Contact Resistance: 1.5 milliohms maximum
 Insulation Resistance: 5000 megohms minimum

Mechanical Characteristics

Mating Cycles: 500 cycles minimum
 Interface Dimensions: Conform to MIL-C-39012

Environmental Characteristics

Temperature Range: -55 °C to +85 °C

PART	DESCRIPTION
1	Body Brass, nickel plated
2	Dielectric POM, white
3	Contact Brass, gold

DESCRIPTION OF REVISION	APPVD	ISS	DATE
ECN D17505 - Dimension / Material Update	MS	3	17 Dec 21
Centre piece now square	JW	2	13 Jun 06
First Issue	SN	1	22 Nov 02



CINCH CONNECTIVITY SOLUTIONS
 11 Bilton Road,
 Chelmsford, Essex,
 CM1 2UP, UK.
 Tel: +44 (0) 1245 359515
 Fax: +44 (0) 1245 358938

SCALE: Not To Scale
 DIMENSIONS: mm
 TOLERANCES:
 ± 0.2mm unless
 otherwise stated

DRAWN BY: J Williams
 CHECKED BY: A Tusi
 APPROVED BY: M Terry
 DATE: 13 Jun 06

TITLE:
**TNC Jack to Jack to Jack
 Adaptor**

PART NUMBER:
VTA110
 PAGE: 1 of 1