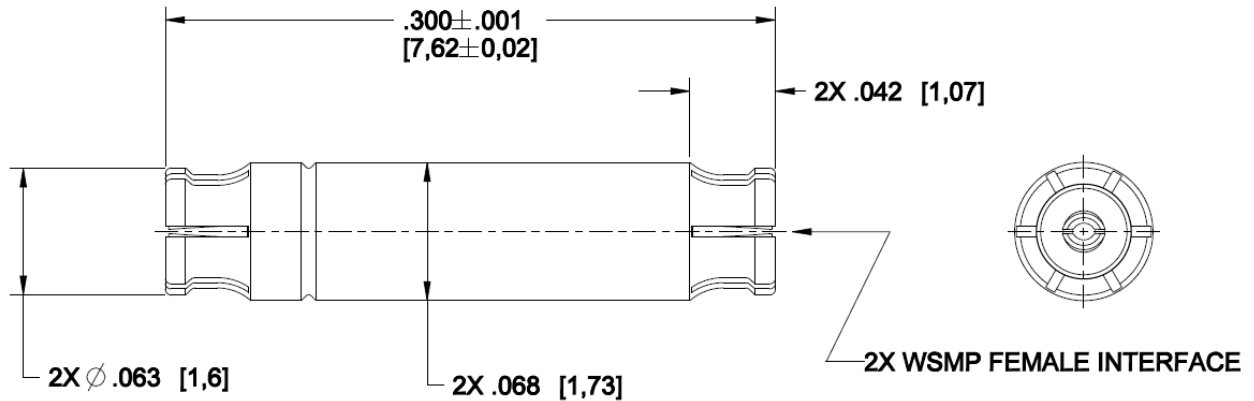
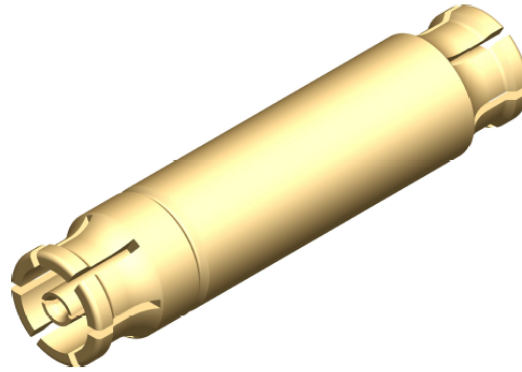


WSMP

Adaptor (Bullet)  
Female to Female

**W1K10J-K00D3**



All dimensions are in inches [mm]  
Unless otherwise specified: XXX ±.002 [0,05]

**Interface**

According to

Rosenberger WSMP™ Interface standards

**Material and plating**

**Connector parts**

Body and contact

**Material**

CuBe per ASTM B196

**Plating**

Hard gold, 50µIN [1,27µm] min, over nickel, 50µIN [1,27µm] min

Dielectric

PTFE per ASTM D1710

PROPRIETARY AND CONFIDENTIAL  
 This data sheet is the property of Rosenberger of North America, LLC. By acceptance of this document you agree that all the rights to drawings, specifications, processes and other data therein, as well as the proprietary and novel features of the subject matter, are reserved by Rosenberger of North America, LLC and are disclosed in confidence. They are not to be manufactured, used, sold or disclosed to others, nor are devices embodying such features or information derived from these disclosures to be used or disclosed, unless and until expressly authorized by Rosenberger of North America, LLC. These drawings, specifications, processes, etc., are and remain the property of Rosenberger of North America, LLC, and are not to be copied or reproduced without permission.

# Technical Data Sheet

# Rosenberger

WSMP

Adaptor (Bullet)  
Female to Female

W1K10J-K00D3

### Electrical data

Impedance	50 Ω
Frequency	DC to 100 GHz
Return loss (typical)	≥ 26 dB, DC to 26.5 GHz ≥ 19 dB, 26.5 to 65 GHz
Insertion loss	≤ 0.12 x √f(GHz) dB
Insulation resistance	≥ 3,500 MΩ
Center contact resistance	≤ 6.0 mΩ
Outer contact resistance	≤ 2.0 mΩ
Test voltage (at sea level)	250 V rms
RF High Potential (at sea level)	150 V rms @ 5 MHz
RF leakage (typical mated pair)	≥ -80 dB

### Mechanical data

Mating cycles	
- Full Detent	≥ 100
- Smooth Bore	≥ 500
Engagement force (typical)	
- Full Detent	2.5 lb <sub>f</sub> [11 N]
- Smooth Bore	1.2 lb <sub>f</sub> [5.3 N]
Disengagement force (typical)	
- Full Detent	4.5 lb <sub>f</sub> [20 N]
- Smooth Bore	1.0 lb <sub>f</sub> [4.5 N]

### Environmental data

Temperature range	-55°C to +165°C
Thermal shock	MIL-STD-202-107, Condition B
Corrosion	MIL-STD-202-101
Vibration	MIL-STD-202-204, Condition D
Shock	MIL-STD-202-213, Condition I
Moisture resistance 2002/95/EC (RoHS)	MIL-STD-202-106, except Step 7B compliant

### Tooling

Installation/Extraction tool	W1W002-000
------------------------------	------------

### Packing

Standard

**PROPRIETARY AND CONFIDENTIAL**  
 This data sheet is the property of Rosenberger of North America, LLC. By acceptance of this document you agree that all the rights to drawings, specifications, processes and other data therein, as well as the proprietary and novel features of the subject matter, are reserved by Rosenberger of North America, LLC and are disclosed in confidence. They are not to be manufactured, used, sold or disclosed to others, nor are devices embodying such features or information derived from these disclosures to be used or disclosed, unless and until expressly authorized by Rosenberger of North America, LLC. These drawings, specifications, processes, etc., are and remain the property of Rosenberger of North America, LLC, and are not to be copied or reproduced without permission.

Draft	Date	Approved	Date	Rev.	Engineering change number	Name	Date
R. Hosler	11/1/13	M. Peeran	11/1/13	a02	Revised per 19-0674	P. Sill	5/16/2019
Rosenberger of North America, LLC P.O. Box 309 Akron, PA USA 17501 <a href="http://www.rosenbergerna.com">www.rosenbergerna.com</a>				Tel. : +1.717.859.8900 Fax : +1.717.859.7044 Email : <a href="mailto:info@rosenbergerna.com">info@rosenbergerna.com</a>			Page 2 / 2