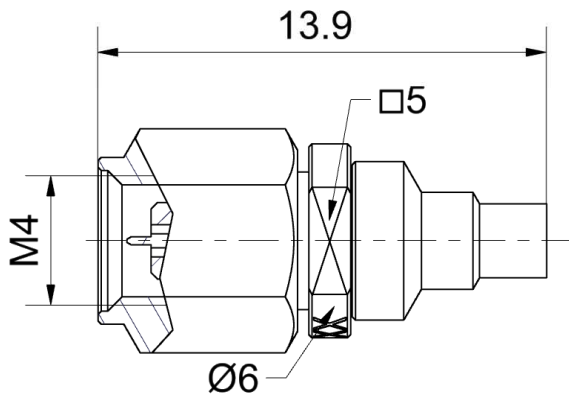
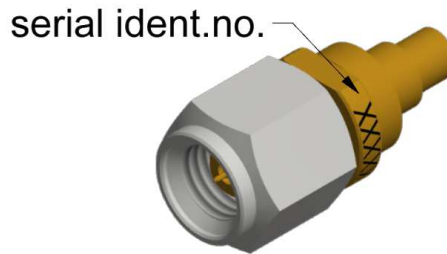


WSMP

Adaptor
RPC-1.00 Plug to WSMP Plug

W1S101-S00D3



All dimensions are in mm; tolerances according to ISO 2768 m-H

Interface

RPC-1.00 according to
WSMP according to

IEC 61169-31
Rosenberger WSMP™ Interface standard

Documents

N/A

Material and plating

Connector parts

Center conductor
Outer conductor
Dielectric

Material

CuBe
CuBe or equiv.
PEEK

Plating

Gold, min. 1.27 µm, over nickel
Gold, min. 1.27 µm, over nickel

Dieses Dokument ist urheberrechtlich geschützt • This document is protected by copyright • Rosenberger Hochfrequenztechnik GmbH & Co. KG

RF_35/09;14/6.2

Technical Data Sheet

Rosenberger

WSMP

Adaptor
RPC-1.00 Plug to WSMP Plug

W1S101-S00D3

Electrical data

| | |
|-------------|--|
| Impedance | 50 Ω |
| Frequency | DC to 110 GHz |
| Return loss | ≥ 17 dB, DC to 20 GHz ≥ 15 dB, 20 GHz to 50 GHz ≥ 12 dB, 50 GHz to 75 GHz ≥ 8 dB, 75 GHz to 110 GHz |

Mechanical data

RPC-1.00

| | |
|--------------------|---------|
| Mating cycles | ≥ 500 |
| Maximum torque | 0.70 Nm |
| Recommended torque | 0.41 Nm |

WSMP

| | |
|-------------------------------|----------------------------|
| Mating cycles | |
| - Full Detent mating jack | ≥ 100 |
| Engagement force (typical) | |
| - Full detent | 2.5 lb _f [11 N] |
| Disengagement force (typical) | |
| - Full detent | 4.5 lb _f [20 N] |

Environmental data

| | |
|---|------------------|
| Operating temperature range ¹ | +20 °C to +26 °C |
| Rated temperature range of use ² | 0 °C to +50 °C |
| Storage temperature range | -40 °C to +85 °C |

RoHS compliant

¹ Temperature range over which these specification are valid.

² This range is underneath and above the operating temperature range, within the adaptor is fully functional and could be used without damage.

Packing

| | |
|----------|--------------|
| Standard | 1 pce in box |
| Weight | 1.9 g/pce |

While the information has been carefully compiled to the best of our knowledge, nothing is intended as representation or warranty on our part and no statement herein shall be construed as recommendation to infringe existing patents. In the effort to improve our products, we reserve the right to make changes judged to be necessary.

| Draft | Date | Approved | Date | Rev. | Engineering change number | Name | Date |
|--|----------|------------|----------|------|---------------------------|---|---------------|
| Marcel Panicke | 07.03.17 | Ronny Mark | 04.05.17 | b00 | 17-0669 | Marcel Panicke | 04.05.17 |
| Rosenberger Hochfrequenztechnik GmbH & Co. KG P.O.Box 1260 D-84526 Tittmoning Germany www.rosenberger.de | | | | | | Tel. : +49 8684 18-0 Email : info@rosenberger.de | |
| | | | | | | | Page 2 / 2 |