

Series: Ceramic Patch

Description: 10x10x4mm GPS 1575.42MHz
Pin Mount RCHP Antenna

PART NUMBER: **W3212**



Features:

- 1575.42MHz GPS L1 Band
- Polarization RHCP
- Zenith Gain -7dBic
- Size 10 x 10 x 4 mm
- Pin mounting
- Tray packing
- RoHS Compliant

Applications:

- GPS L1 band satellite receivers
- Tracking, Navigation, Satellite Positioning
- Fleet management
- Asset tracking

All dimensions are in mm / inches

Issue: 1734

In the effort to improve our products, we reserve the right to make changes judged to be necessary.

CONFIDENTIAL AND PROPRIETARY INFORMATION

This document contains confidential and proprietary information of Pulse Electronics, Inc. (Pulse) and is protected by copyright, trade secret and other state and federal laws. Its receipt or possession does not convey any rights to reproduce, disclose its contents, or to manufacture, use or sell anything it may describe. Reproduction, disclosure or use without specific written authorization of Pulse is strictly forbidden.

For more information:

Pulse Worldwide Headquarters
15255 Innovation Drive #100
San Diego, CA 92128
USA
Tel: 1-858-674-8100

Pulse/Larsen Antennas
18110 SE 34th St Bldg 2 Suite 250
Vancouver, WA 98683
USA
Tel: 1-360-944-7551

Europe Headquarters
Pulse GmbH & Do, KG
Zeppelinstrasse 15
Herrenberg, Germany
Tel: 49 7032 7806 0

Pulse (Suzhou) Wireless Products Co, Inc.
99 Huo Ju Road(#29 Bldg,4th Phase
Suzhou New District
Jiangsu Province, Suzhou 215009 PR China
Tel: 86 512 6807 9998



Description: 10x10x4mm GPS 1575.42MHz
Pin Mount RCHP Antenna

Series: Ceramic Patch

PART NUMBER: W3212

ELECTRICAL SPECIFICATIONS

Antenna Type	Ceramic Patch
Frequency	1575.42±1.023MHz
Nominal Impedance	50 Ω
Return Loss*	<-10dB
RHCP Gain (typical)*	-7 dBic
Zenith Axial Ratio(typical)*	<3.0 dB
Polarization	RHCP

MECHANICAL SPECIFICATIONS

Overall Length	10.2X10.2X4mm
Weight	9.3g

ENVIRONMENTAL SPECIFICATIONS

Operating Temperature	-40~+85 °C
Storage Temperature	-40~+85 °C
RoHS Compliant	Yes

* Test the antenna on 30mmX30mm metal plane

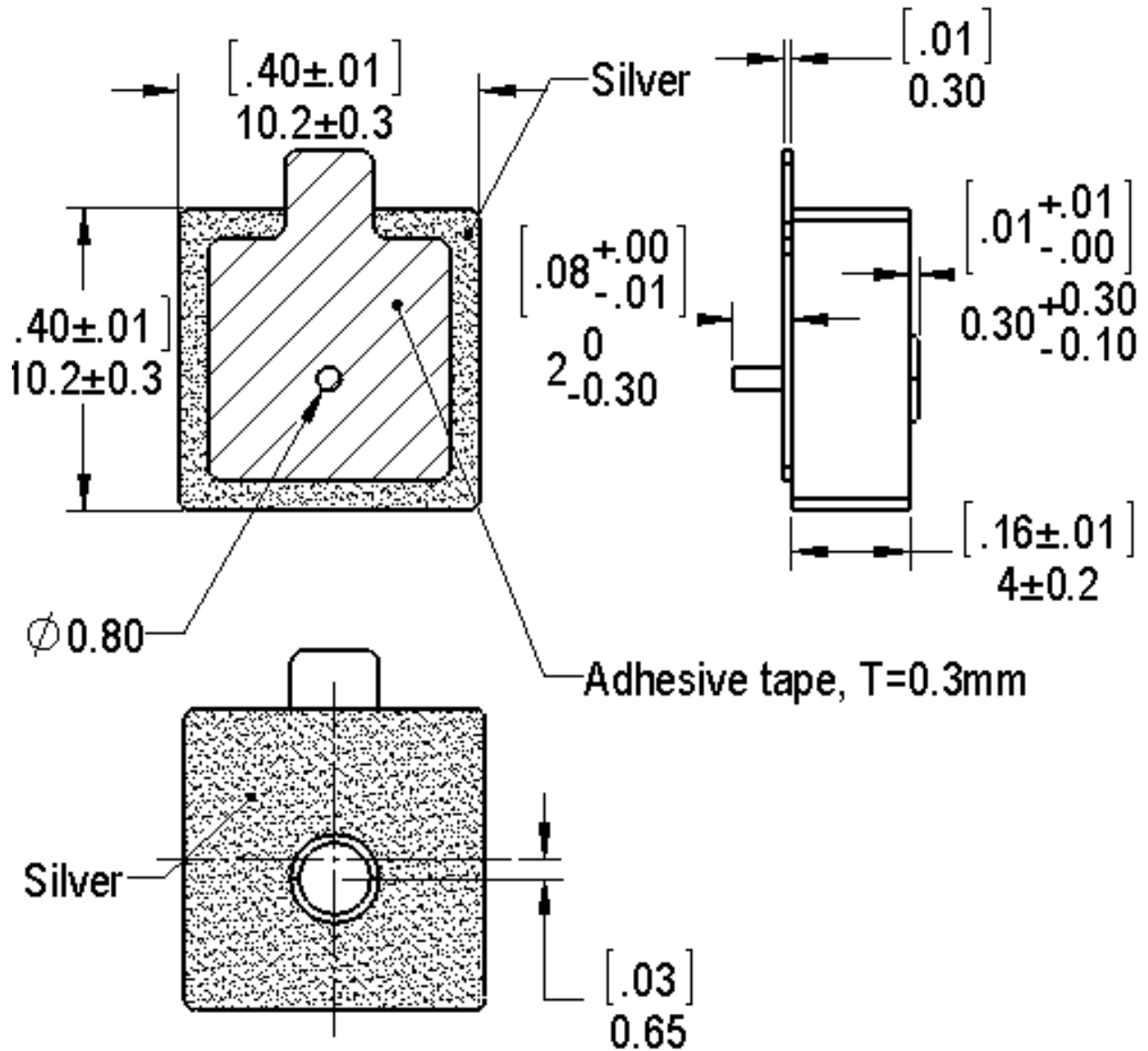
Issue: 1734

In the effort to improve our products, we reserve the right to make changes judged to be necessary.

CONFIDENTIAL AND PROPRIETARY INFORMATION

This document contains confidential and proprietary information of Pulse Electronics, Inc. (Pulse) and is protected by copyright, trade secret and other state and federal laws. Its receipt or possession does not convey any rights to reproduce, disclose its contents, or to manufacture, use or sell anything it may describe. Reproduction, disclosure or use without specific written authorization of Pulse is strictly forbidden.

MECHANICAL DRAWING



Series: Ceramic Patch

Description: 10x10x4mm GPS 1575.42MHz
Pin Mount RCHP Antenna

PART NUMBER: W3212

TEST SETUP

Test on 30X30mm metal ground in free space

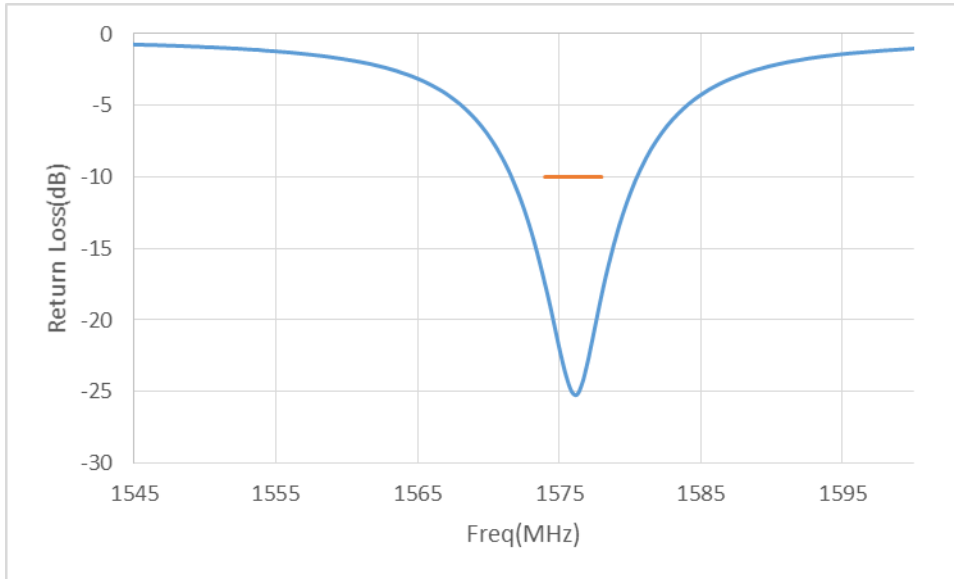
Description: 10x10x4mm GPS 1575.42MHz
Pin Mount RCHP Antenna

Series: Ceramic Patch

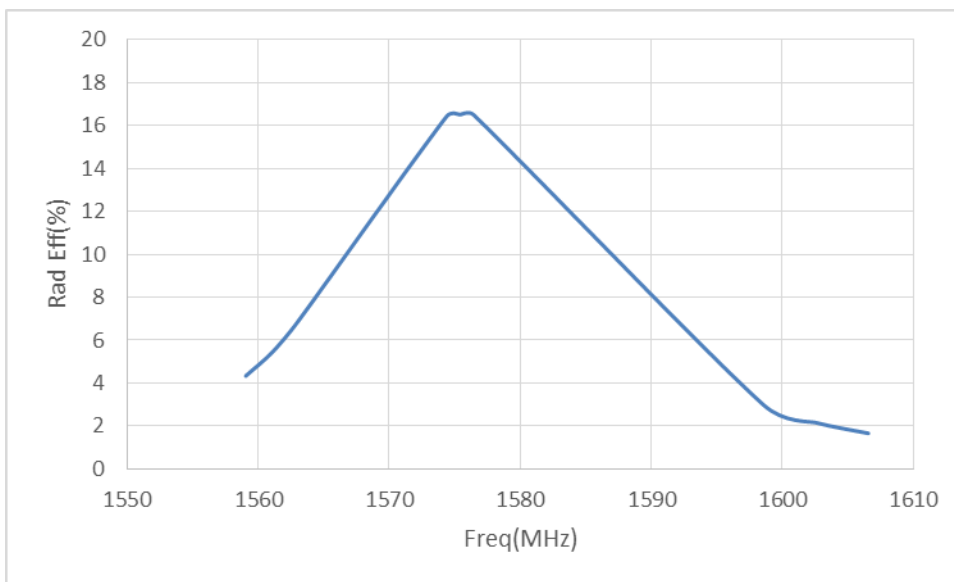
PART NUMBER: W3212

CHARTS

Return Loss



Radiation Efficiency



Issue: 1734

In the effort to improve our products, we reserve the right to make changes judged to be necessary.

CONFIDENTIAL AND PROPRIETARY INFORMATION

This document contains confidential and proprietary information of Pulse Electronics, Inc. (Pulse) and is protected by copyright, trade secret and other state and federal laws. Its receipt or possession does not convey any rights to reproduce, disclose its contents, or to manufacture, use or sell anything it may describe. Reproduction, disclosure or use without specific written authorization of Pulse is strictly forbidden.

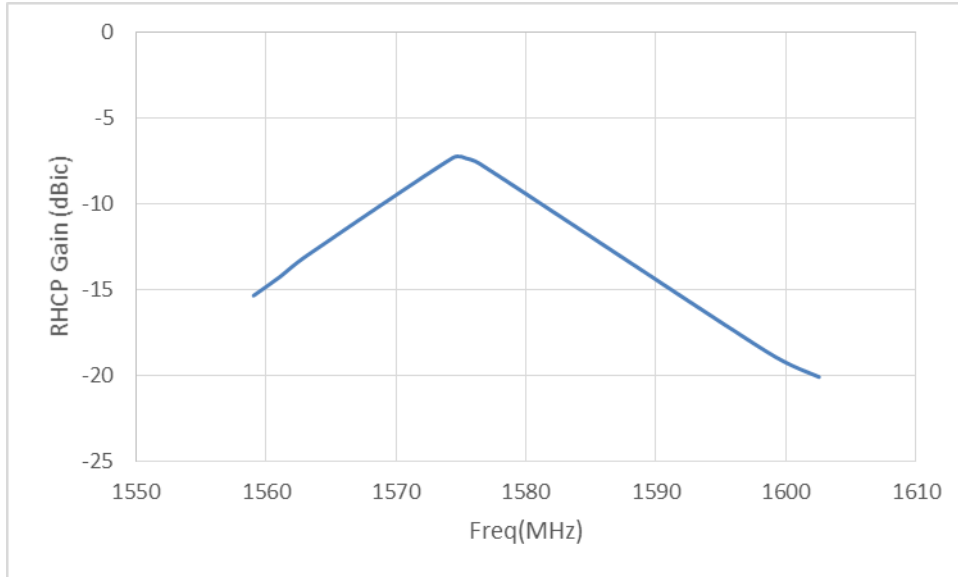
Description: 10x10x4mm GPS 1575.42MHz
Pin Mount RCHP Antenna

Series: Ceramic Patch

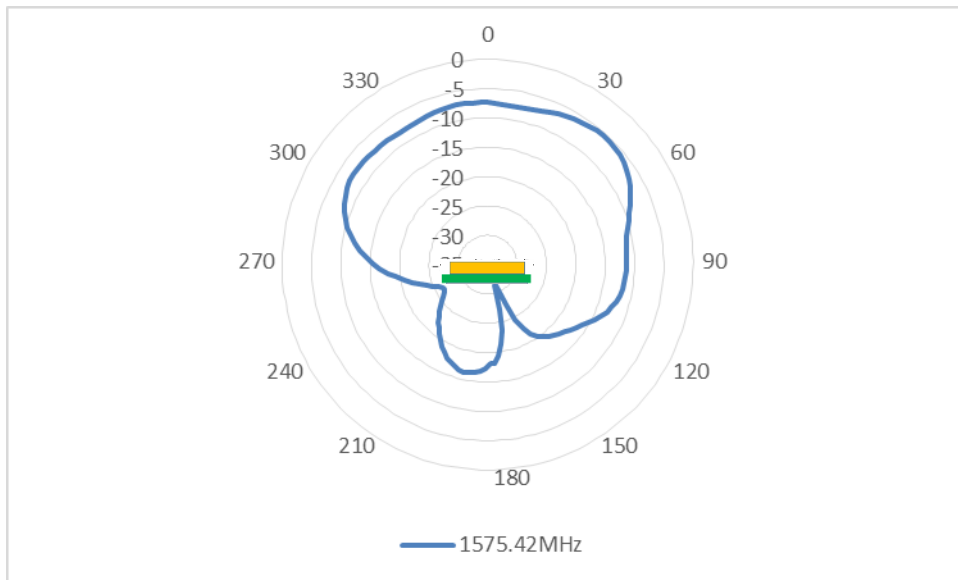
PART NUMBER: W3212

CHARTS

Zenith RHCP Gain



GPS Radiation pattern on 30mmX30mm metal plane



Issue: 1734

In the effort to improve our products, we reserve the right to make changes judged to be necessary.

CONFIDENTIAL AND PROPRIETARY INFORMATION

This document contains confidential and proprietary information of Pulse Electronics, Inc. (Pulse) and is protected by copyright, trade secret and other state and federal laws. Its receipt or possession does not convey any rights to reproduce, disclose its contents, or to manufacture, use or sell anything it may describe. Reproduction, disclosure or use without specific written authorization of Pulse is strictly forbidden.

Description: 10x10x4mm GPS 1575.42MHz
Pin Mount RCHP Antenna

Series: Ceramic Patch

PART NUMBER: W3212

CHARTS

Zenith Axial Ratio

