

Description: 6-8.5GHz UWB Antenna**Series: Chip Antenna****PART NUMBER: W3340****Features:**

- 6-8.5GHz
- Stable radiation pattern over operating band enables superior performance in impulse radio
- Minimal hand loss
- Keep out area only 7x4.6mm
- Miniature Antenna size 3.2x1.6x1.1mm
- Moisture Sensitivity Level: MSL1

Applications:

- Ultra Wide Band radios
- Remote controls
- Key fobs
- M2M, IoT
- Transportation
- Security



All dimensions are in mm / inches

Issue: 2101

In the effort to improve our products, we reserve the right to make changes judged to be necessary.

CONFIDENTIAL AND PROPRIETARY INFORMATION

This document contains confidential and proprietary information of Pulse Electronics, Inc. (Pulse) and is protected by copyright, trade secret and other state and federal laws. Its receipt or possession does not convey any rights to reproduce, disclose its contents, or to manufacture, use or sell anything it may describe. Reproduction, disclosure or use without specific written authorization of Pulse is strictly forbidden.

For more information:

Pulse Worldwide Headquarters
15255 Innovation Drive #100
San Diego, CA 92128
USA
Tel: 1-858-674-8100

Pulse/Larsen Antennas
18110 SE 34th St Bldg 2 Suite 250
Vancouver, WA 9863
USA
Tel: 1-360-944-7551

Europe Headquarters
Pulse GmbH & Do, KG
Zeppelinstrasse 15
Herrenberg, Germany
Tel: 49 7032 7806 0

Pulse (Suzhou) Wireless Products Co, Inc.
99 Huo Ju Road(#29 Bldg,4th Phase
Suzhou New District
Jiangsu Province, Suzhou 215009 PR China
Tel: 86 512 6807 9998

Description: 6-8.5GHz UWB Antenna**Series: Chip Antenna****PART NUMBER: W3340****ELECTRICAL SPECIFICATIONS**

Frequency	6-8.5 GHz
Nominal Impedance	50 Ω
Return loss in free space (*)	9 dB
Total Efficiency in free space (*)	>65 %
Peak Gain in free space (*)	>1.5 dBi
Power withstanding (*)	W

*Measured on test PCB

Issue: 2101

In the effort to improve our products, we reserve the right to make changes judged to be necessary.

CONFIDENTIAL AND PROPRIETARY INFORMATION

This document contains confidential and proprietary information of Pulse Electronics, Inc. (Pulse) and is protected by copyright, trade secret and other state and federal laws. Its receipt or possession does not convey any rights to reproduce, disclose its contents, or to manufacture, use or sell anything it may describe. Reproduction, disclosure or use without specific written authorization of Pulse is strictly forbidden.

Description: 6-8.5GHz UWB Antenna**Series: Chip Antenna****PART NUMBER: W3340****MECHANICAL SPECIFICATIONS**

Material	High temperature ceramic
Radiator	Ag
Weight	33mg
Overall Length	3.2*1.6*1.1mm
MSL (Moisture Sensitivity Level)	1

ENVIRONMENTAL SPECIFICATIONS

Operating temperature -40/+85° C

Storage

To maintain solderability of Pulse ceramic products care must be taken to control the storage and use conditions:

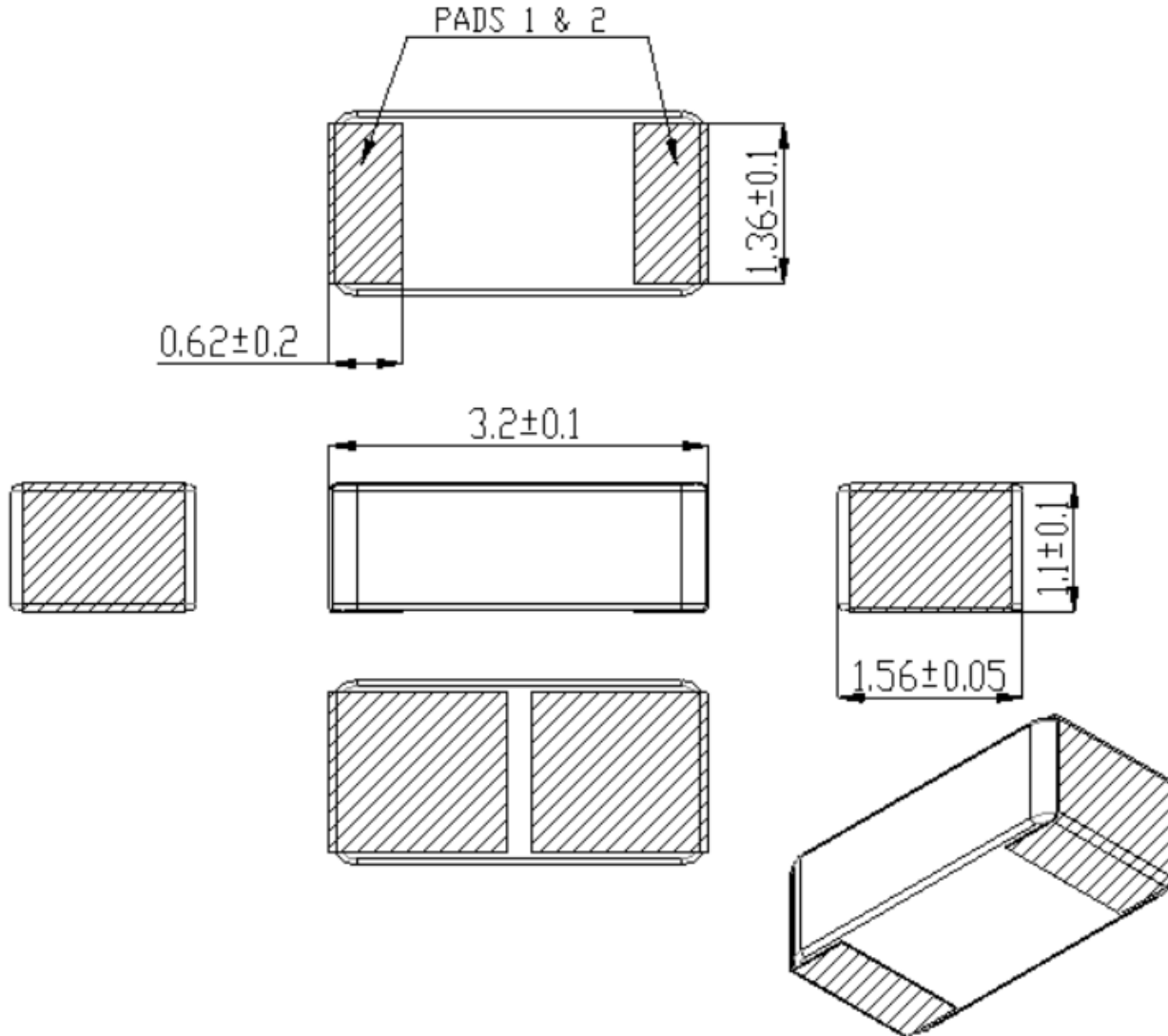
- Do not store or use products in a corrosive atmosphere, especially where chloride, sulphur or sulfide, alkali or acid salts exist in the air. Corrosive gases may cause oxidation of electrodes and reduce solderability
- Keep temperature and humidity stable and do not exceed the below mentioned minimum and maximum conditions: Temperature: -10 to +30 Deg C, Humidity: below 60% RH
- Do not store the products under direct sun light.

Description: 6-8.5GHz UWB Antenna

Series: Chip Antenna

PART NUMBER: W3340

MECHANICAL DRAWING



Note:

Antenna is symmetrical, pad 1 and 2 orientation can be swapped without affecting performance.

Issue: 2101

In the effort to improve our products, we reserve the right to make changes judged to be necessary.

CONFIDENTIAL AND PROPRIETARY INFORMATION

This document contains confidential and proprietary information of Pulse Electronics, Inc. (Pulse) and is protected by copyright, trade secret and other state and federal laws. Its receipt or possession does not convey any rights to reproduce, disclose its contents, or to manufacture, use or sell anything it may describe. Reproduction, disclosure or use without specific written authorization of Pulse is strictly forbidden.

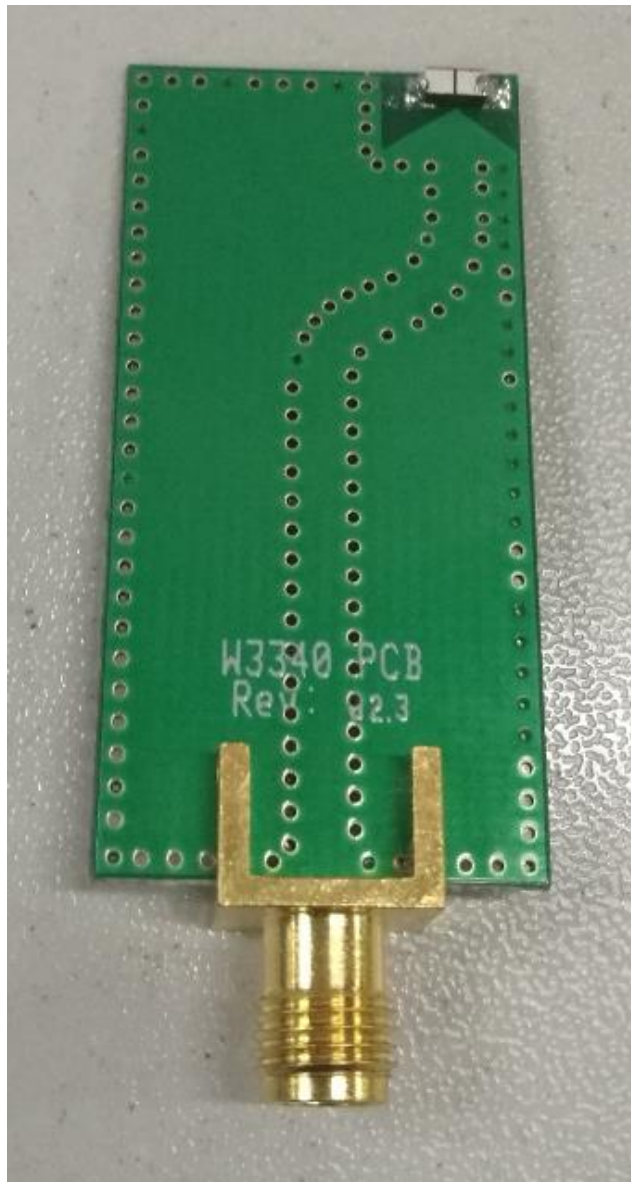
Description: 6-8.5GHz UWB Antenna

Series: Chip Antenna

PART NUMBER: W3340

OTHER SPECIFICATIONS

Test setup for electrical parameters



Issue: 2101

In the effort to improve our products, we reserve the right to make changes judged to be necessary.

CONFIDENTIAL AND PROPRIETARY INFORMATION

This document contains confidential and proprietary information of Pulse Electronics, Inc. (Pulse) and is protected by copyright, trade secret and other state and federal laws. Its receipt or possession does not convey any rights to reproduce, disclose its contents, or to manufacture, use or sell anything it may describe. Reproduction, disclosure or use without specific written authorization of Pulse is strictly forbidden.

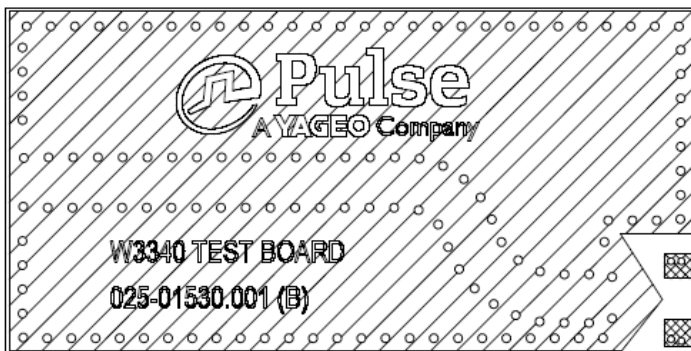
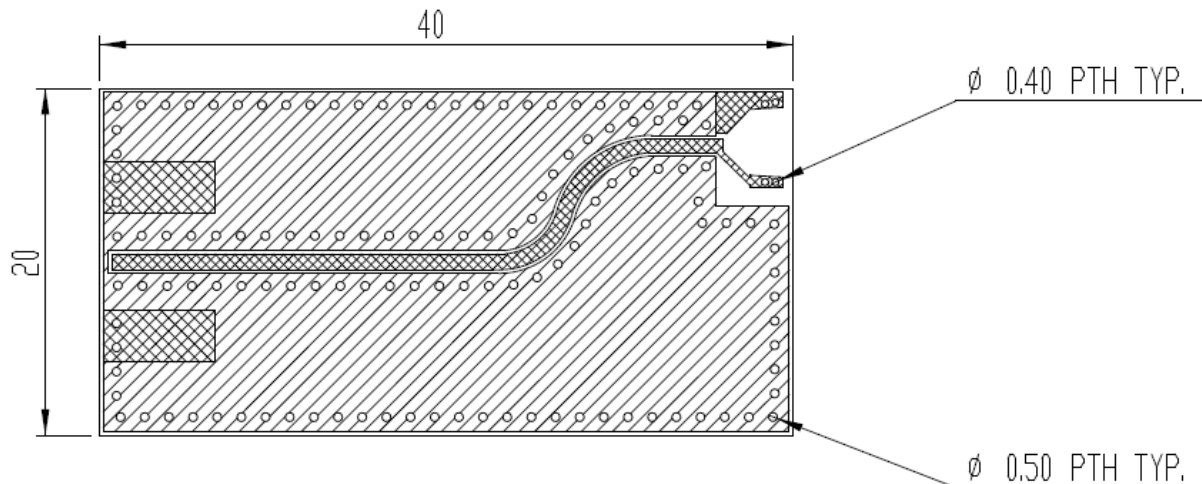
Description: 6-8.5GHz UWB Antenna

Series: Chip Antenna

PART NUMBER: W3340

MECHANICAL DRAWING

Test PCB and Antenna footprint PCB layout



Issue: 2101

In the effort to improve our products, we reserve the right to make changes judged to be necessary.

CONFIDENTIAL AND PROPRIETARY INFORMATION

This document contains confidential and proprietary information of Pulse Electronics, Inc. (Pulse) and is protected by copyright, trade secret and other state and federal laws. Its receipt or possession does not convey any rights to reproduce, disclose its contents, or to manufacture, use or sell anything it may describe. Reproduction, disclosure or use without specific written authorization of Pulse is strictly forbidden.

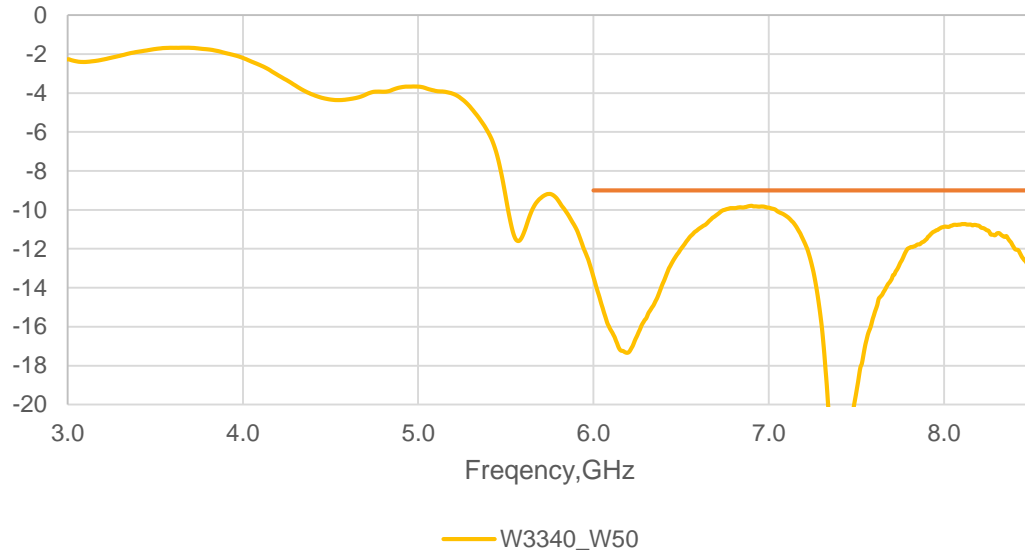
Description: 6-8.5GHz UWB Antenna

Series: Chip Antenna

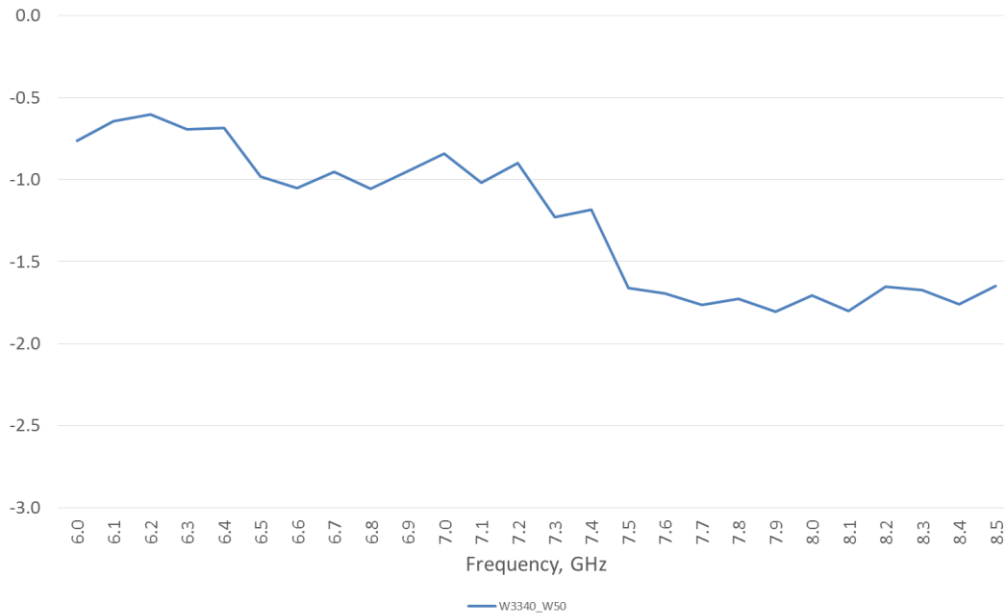
PART NUMBER: W3340

CHARTS

S11 in free space,dB



Total efficiency in free space, dB



Issue: 2101

In the effort to improve our products, we reserve the right to make changes judged to be necessary.

CONFIDENTIAL AND PROPRIETARY INFORMATION

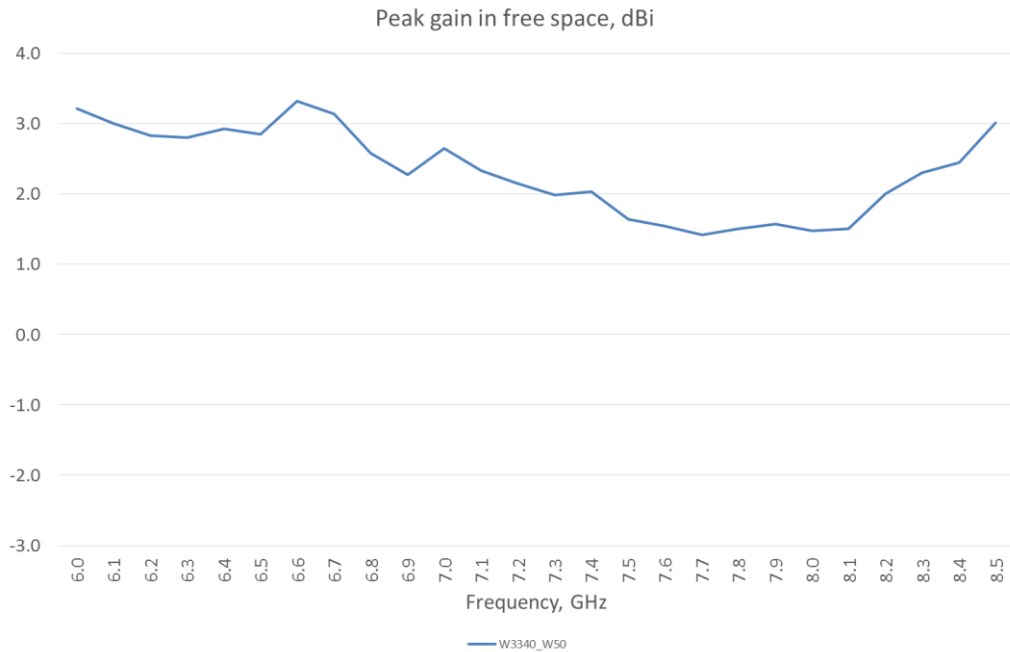
This document contains confidential and proprietary information of Pulse Electronics, Inc. (Pulse) and is protected by copyright, trade secret and other state and federal laws. Its receipt or possession does not convey any rights to reproduce, disclose its contents, or to manufacture, use or sell anything it may describe. Reproduction, disclosure or use without specific written authorization of Pulse is strictly forbidden.

Description: 6-8.5GHz UWB Antenna

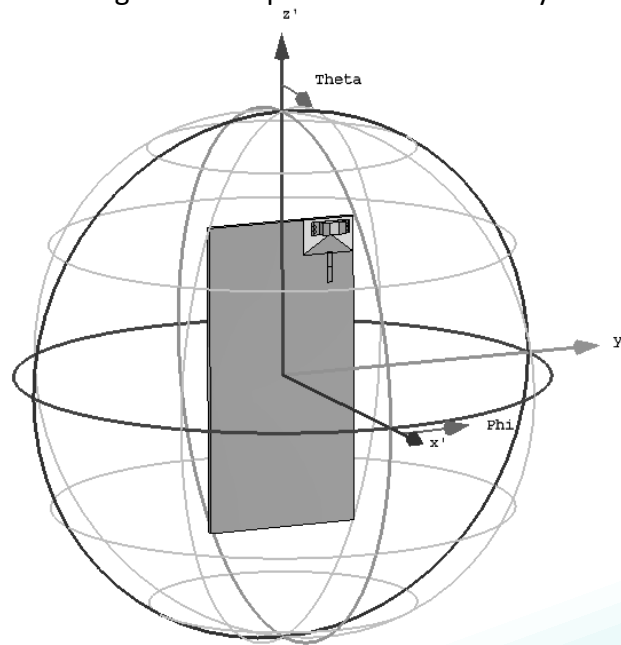
Series: Chip Antenna

PART NUMBER: W3340

CHARTS



Antenna alignment in spherical coordinate system



Issue: 2101

In the effort to improve our products, we reserve the right to make changes judged to be necessary.

CONFIDENTIAL AND PROPRIETARY INFORMATION

This document contains confidential and proprietary information of Pulse Electronics, Inc. (Pulse) and is protected by copyright, trade secret and other state and federal laws. Its receipt or possession does not convey any rights to reproduce, disclose its contents, or to manufacture, use or sell anything it may describe. Reproduction, disclosure or use without specific written authorization of Pulse is strictly forbidden.

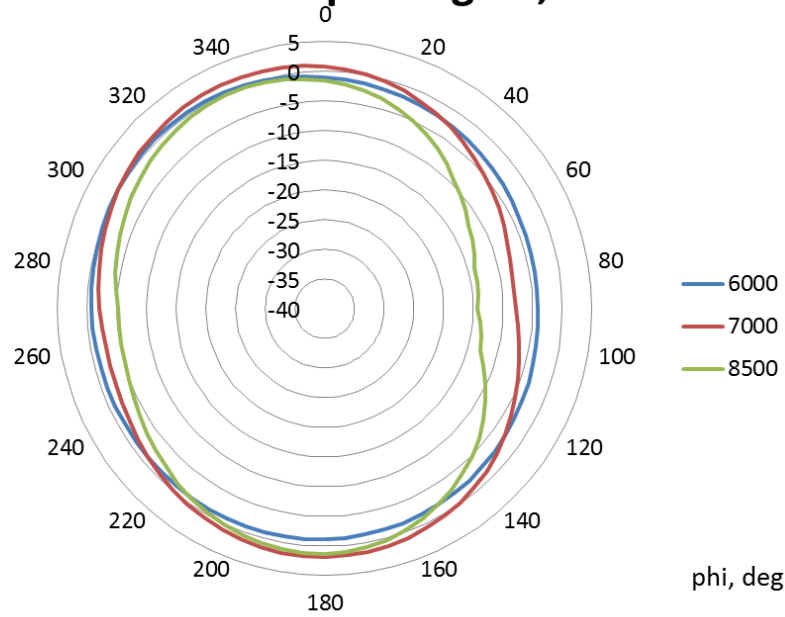
Description: 6-8.5GHz UWB Antenna

Series: Chip Antenna

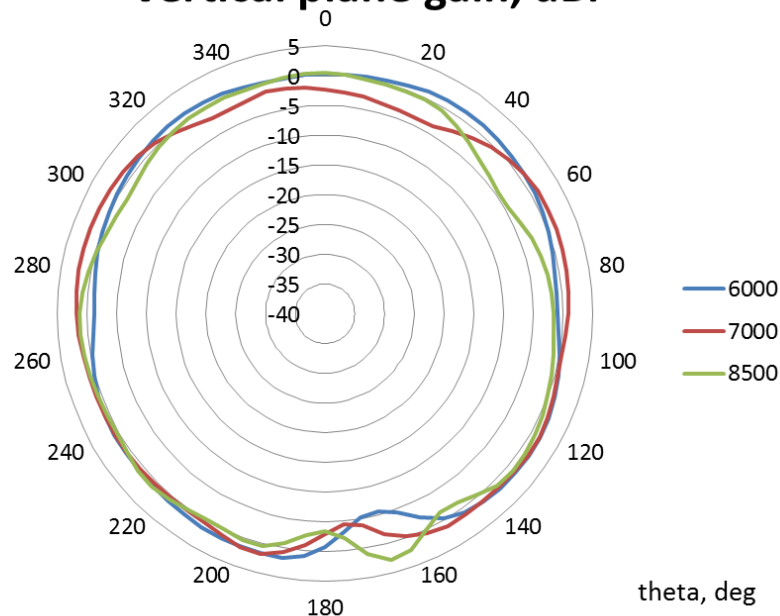
PART NUMBER: W3340

CHARTS

Horizontal plane gain, dBi



Vertical plane gain, dBi



Issue: 2101

In the effort to improve our products, we reserve the right to make changes judged to be necessary.

CONFIDENTIAL AND PROPRIETARY INFORMATION

This document contains confidential and proprietary information of Pulse Electronics, Inc. (Pulse) and is protected by copyright, trade secret and other state and federal laws. Its receipt or possession does not convey any rights to reproduce, disclose its contents, or to manufacture, use or sell anything it may describe. Reproduction, disclosure or use without specific written authorization of Pulse is strictly forbidden.