

Description: 13.56MHz NFC Ferrite Antenna with coax feed and U.FL connector

Series: NFC Antenna

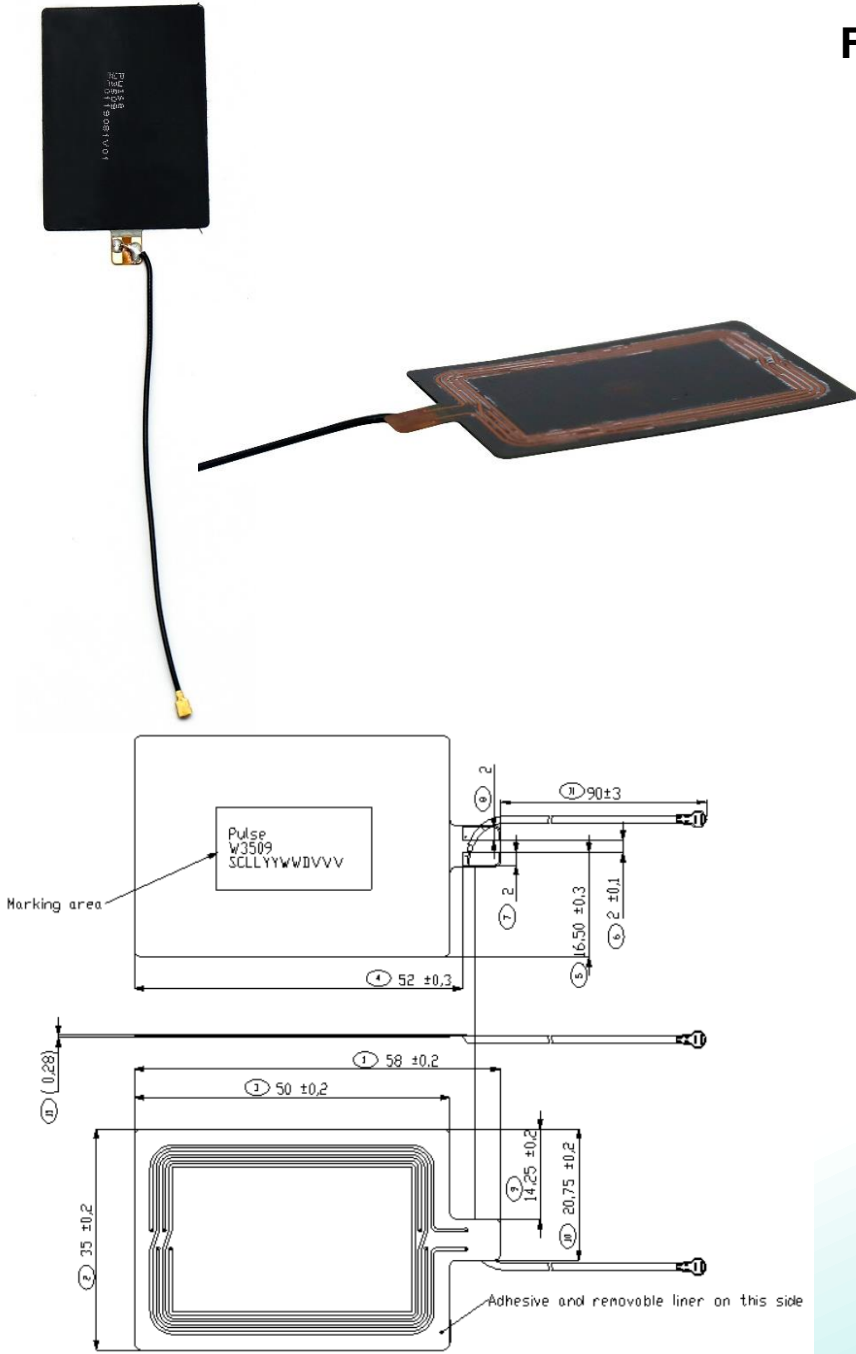
PART NUMBER: W3509

Features:

- Flex PCB antenna
- Coax cable feed with U.FL connector
- Ferrite sheet to enable operation on top of metallic surface
- Mounting with adhesive tape (included)

Applications:

- Near Field Communication
- Pairing, Sharing
- Connection to RFID tags
- Payment, EMVCo
- Phones, Infotainment, PoS terminals, Toys, Asset Tracking



Issue: 1910

In the effort to improve our products, we reserve the right to make changes judged to be necessary.

CONFIDENTIAL AND PROPRIETARY INFORMATION

This document contains confidential and proprietary information of Pulse Electronics, Inc. (Pulse) and is protected by copyright, trade secret and other state and federal laws. Its receipt or possession does not convey any rights to reproduce, disclose its contents, or to manufacture, use or sell anything it may describe. Reproduction, disclosure or use without specific written authorization of Pulse is strictly forbidden.

For more information:

Pulse Worldwide Headquarters
12220 World Trade Drive
San Diego, CA 92128
USA
Tel: 1-858-674-8100

Pulse/Larsen Antennas
3611 NE 112th Ave
Vancouver, WA 98682
USA
Tel: 1-360-944-7551

Europe Headquarters
Pulse GmbH & Do, KG
Zeppelinstrasse 15
Herrenberg, Germany
Tel: 49 7032 7806 0

Pulse (Suzhou) Wireless Products Co, Inc.
99 Huo Ju Road(#29 Bldg, 4th Phase
Suzhou New District
Jiangsu Province, Suzhou 215009 PR China
Tel: 86 512 6807 9998



Description: 13.56MHz NFC Ferrite Antenna with coax feed and U.FL connector

Series: NFC Antenna

PART NUMBER: W3509

ELECTRICAL SPECIFICATIONS

Frequency *	13.56 MHz
Reading Distance (EMVCo) *	40 mm
Reading Distance (Grid Scan avg) *	29 mm
Impedance *	50 Ohm
Self Resonance Frequency **	32 MHz
Inductance @ 1MHz **	1.8 uH
Resistance @ 1MHz **	0.9 Ohm
Q-Factor **	35.9
Matched Q-Value ***	5-30

Note:

- Electrical characteristics depend from distance of metal objects and the location of the antenna on the device
- Data shown in above table is measured in free space

* With matching network

** Bare coil without any matching network

*** With matching network adjustable. Typical network picture refer to page 3

Description: 13.56MHz NFC Ferrite Antenna with coax feed and U.FL connector

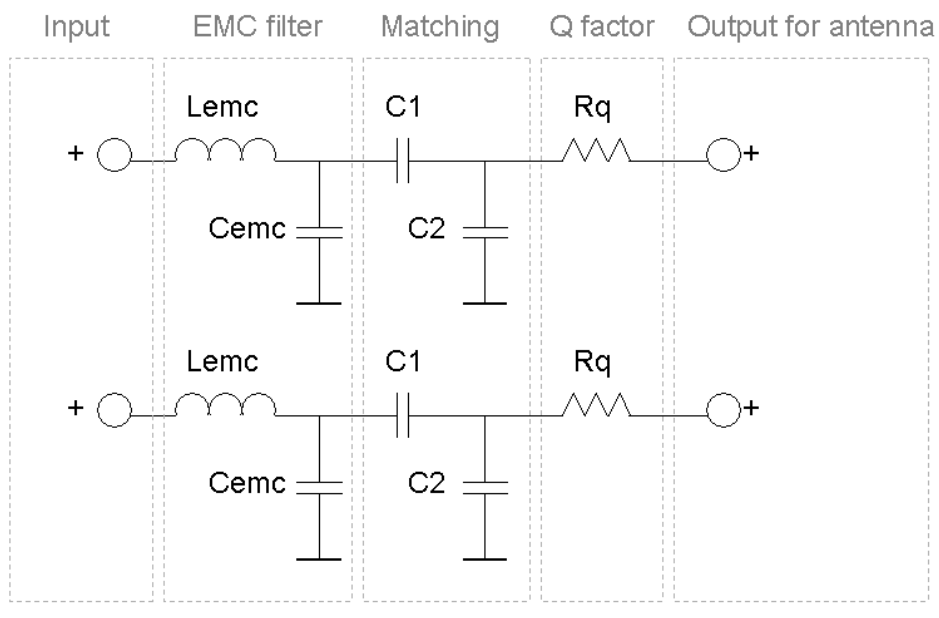
Series: NFC Antenna

PART NUMBER: W3509

ELECTRICAL SPECIFICATIONS

Recommended matching network

Component	Value	Note
L _{emc}	560 nH	Filter resonance at 15.4 MHz
C _{emc}	180 pF	Filter resonance at 15.4 MHz
C1	22 pF	Antenna matching component, value depends on the antenna environment Antenna matching
C2 (Includes C2a and C2b values)	132 pF	Antenna matching component, value depends on the antenna environment Antenna matching
R _q	00hm	R _q resistors used to lower Q-value



Issue: 1910

In the effort to improve our products, we reserve the right to make changes judged to be necessary.

CONFIDENTIAL AND PROPRIETARY INFORMATION

This document contains confidential and proprietary information of Pulse Electronics, Inc. (Pulse) and is protected by copyright, trade secret and other state and federal laws. Its receipt or possession does not convey any rights to reproduce, disclose its contents, or to manufacture, use or sell anything it may describe. Reproduction, disclosure or use without specific written authorization of Pulse is strictly forbidden.

Description: 13.56MHz NFC Ferrite Antenna with coax feed and U.FL connector

Series: NFC Antenna

PART NUMBER: W3509

MECHANICAL SPECIFICATIONS

Color	Black
Weight	1.7 g
Coil + ferrite dimensions + tape	1.38x1.97x0.012 in (35x50x0.30) mm
Cable length	3.54 (90) in/mm
Cable type	1.13mm OD mini coax
Connector	U.FL compatible
Fixing system	Adhesive tape

ENVIRONMENTAL SPECIFICATIONS

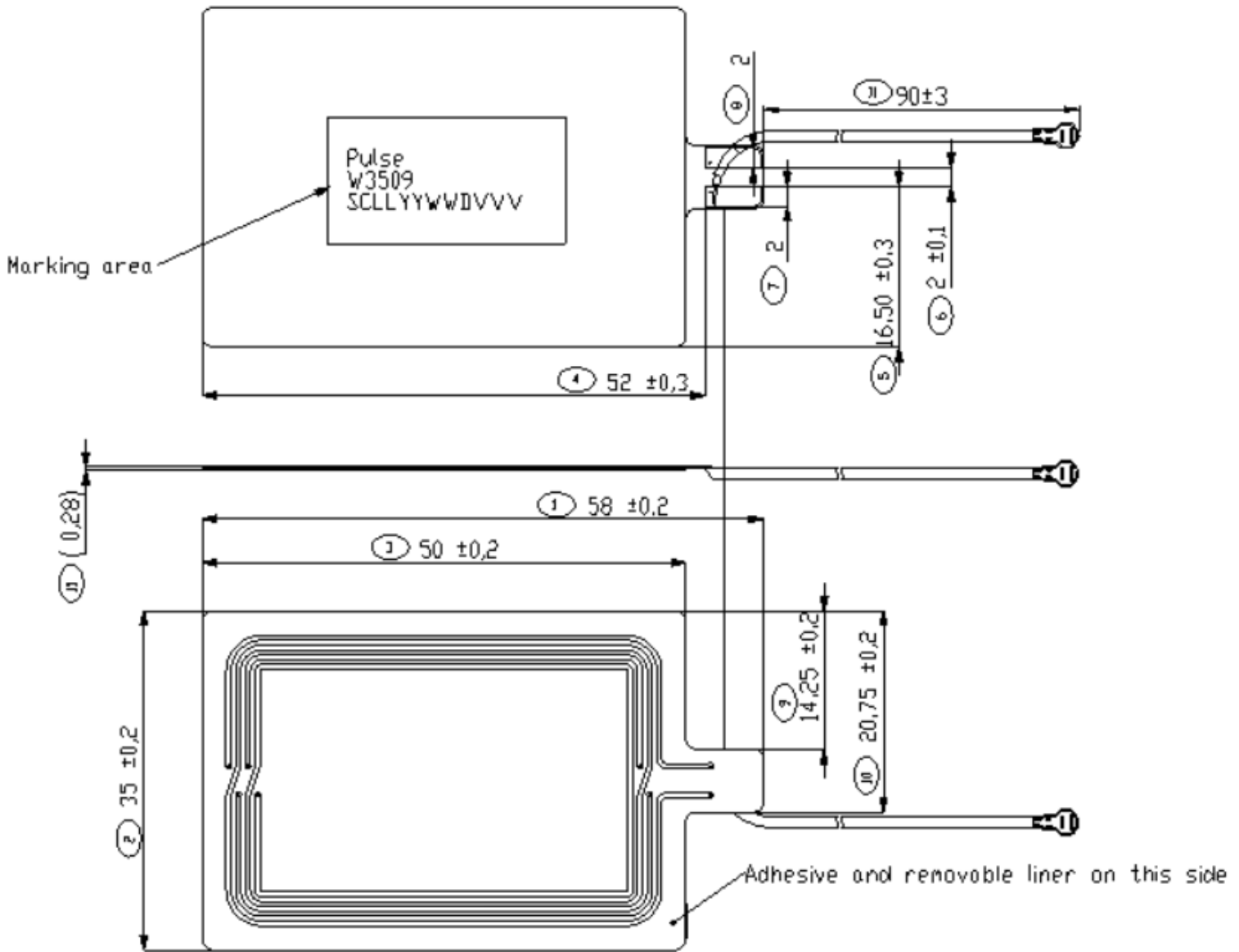
Operating temperature	-40 to +85 ° C
-----------------------	----------------

Description: 13.56MHz NFC Ferrite Antenna with coax feed and U.FL connector

Series: NFC Antenna

PART NUMBER: W3509

MECHANICAL DRAWING



Issue: 1910

In the effort to improve our products, we reserve the right to make changes judged to be necessary.

CONFIDENTIAL AND PROPRIETARY INFORMATION

This document contains confidential and proprietary information of Pulse Electronics, Inc. (Pulse) and is protected by copyright, trade secret and other state and federal laws. Its receipt or possession does not convey any rights to reproduce, disclose its contents, or to manufacture, use or sell anything it may describe. Reproduction, disclosure or use without specific written authorization of Pulse is strictly forbidden.