

Description: 824-960/1710-2170MHz 2G/3G
Pentaband PCB antenna with coax feed

Series: Internal PCB Antenna

PART NUMBER: W3538XXXXX

Features:

- Small form factor
- PCB size W x L x H (with adhesive): 40 [1.57] x 15 [0.59] x 0.7[0.028]mm [inch]
- Lead free materials
- RoHS Compliant Product
- Mounting with adhesive tape
- Various cable lengths available
- Connector options:
 - Hirose connector U.FL-series (I.PEX connector MHF-series compatible)
 - MMCX right angle jack (male)
 - Sunridge MCD series connector



Applications:

- Penta band EU/US GSM/WCDMA
- Frequency range: 850 / 900 / 1800 / 1900/ 2100 MHz
- 824-960MHz/1710-2170MHz

All dimensions are in mm / inches

Issue: 1819

In the effort to improve our products, we reserve the right to make changes judged to be necessary.

CONFIDENTIAL AND PROPRIETARY INFORMATION

This document contains confidential and proprietary information of Pulse Electronics, Inc. (Pulse) and is protected by copyright, trade secret and other state and federal laws. Its receipt or possession does not convey any rights to reproduce, disclose its contents, or to manufacture, use or sell anything it may describe. Reproduction, disclosure or use without specific written authorization of Pulse is strictly forbidden.

For more information:

Pulse Worldwide Headquarters
15255 Innovation Drive #100
San Diego, CA 92128
USA
Tel:1-858-674-8100

Pulse/Larsen Antennas
18110 SE 34th St Bldg 2 Suite 250
Vancouver, WA 98683
USA
Tel: 1-360-944-7551

Europe Headquarters
Pulse GmbH & Do, KG
Zeppelinstrasse 15
Herrenberg, Germany
Tel: 49 7032 7806 0

Pulse (Suzhou) Wireless Products Co, Inc.
99 Huo Ju Road(#29 Bldg,4th Phase
Suzhou New District
Jiangsu Province, Suzhou 215009 PR China
Tel: 86 512 6807 9998



Description: 824-960/1710-2170MHz 2G/3G
Pentaband PCB antenna with coax feed

Series: Internal PCB Antenna **PART NUMBER: W3538XXXXX**

This document covers all product variants of the following product family:

P/N	Cable length (mm/inch)	Connector	P/N	Cable length (mm/inch)	Connector
W3538B0045	45/1.77	U.FL	W3538E0300	300/11.81	MMCX
W3538B0075	75/2.95	U.FL	W3538T0150	150/5.91	MCD
W3538B0085	85/3.35	U.FL	W3538T0200	200/7.87	MCD
W3538B0100	100/3.94	U.FL	W3538T0300	300/11.81	MCD
W3538B0150	150/5.91	U.FL	W3538M0085	85/3.35	Murata
W3538B0200	200/7.87	U.FL	W3538M0150	150/5.91	Murata
W3538B0300	300/11.81	U.FL	W3538M0200	200/7.87	Murata
W3538E0075	75/2.95	MMCX	W3538M0300	300/11.81	Murata
W3538E0150	150/5.91	MMCX	W3538G0500	500/19.69	SMA
W3538E0200	200/7.87	MMCX	W3538A0200	200/7.87	N/A

Issue: 1819

In the effort to improve our products, we reserve the right to make changes judged to be necessary.

CONFIDENTIAL AND PROPRIETARY INFORMATION

This document contains confidential and proprietary information of Pulse Electronics, Inc. (Pulse) and is protected by copyright, trade secret and other state and federal laws. Its receipt or possession does not convey any rights to reproduce, disclose its contents, or to manufacture, use or sell anything it may describe. Reproduction, disclosure or use without specific written authorization of Pulse is strictly forbidden.

For more information:

Pulse Worldwide Headquarters
15255 Innovation Drive #100
San Diego, CA 92128
USA
Tel: 1-858-674-8100

Pulse/Larsen Antennas
18110 SE 34th St Bldg 2 Suite 250
Vancouver, WA 98683
USA
Tel: 1-360-944-7551

Europe Headquarters
Pulse GmbH & Do, KG
Zeppelinstrasse 15
Herrenberg, Germany
Tel: 49 7032 7806 0

Pulse (Suzhou) Wireless Products Co, Inc.
99 Huo Ju Road(#29 Bldg,4th Phase
Suzhou New District
Jiangsu Province, Suzhou 215009 PR China
Tel: 86 512 6807 9998



ELECTRICAL SPECIFICATIONS

Typical free space performance, measured in test unit mechanics(position 1).

Cable Length (mm)	P/N	Frequency Range(MHz)	Max Gain (dBi)	Efficiency (%)	Return Loss min. (dB)
45	W3538B0045	824 - 960	0.78	44	-3
		1710 - 1990	1.73	49	-5
		1920 - 2170	1.84	50	-5
75	W3538B0075 W3538E0075	824 - 960	-1.64	30	-3
		1710 - 1990	2.26	53	-6
		1920 - 2170	2.37	55	-6
85	W3538B0085 W3538M0085	824 - 960	-2.38	25	-3
		1710 - 1990	2.3	57	-6
		1920 - 2170	1.96	58	-6
100	W3538B0100	824 - 960	-1.77	14	-3
		1710 - 1990	2.55	40	-6
		1920 - 2170	2.89	47	-6

ELECTRICAL SPECIFICATIONS

Cable Length (mm)	P/N	Frequency Range(MHz)	Max Gain (dBi)	Efficiency (%)	Return Loss min. (dB)
150	W3538B0150	824 - 960	-1.05	37	-3
	W3538E0150	1710 - 1990	2.27	47	-6
	W3538T0150	1920 - 2170	2.04	53	-6
	W3538M0150				
200	W3538B0200	824 - 960	0.53	40	-6
	W3538E0200	1710 - 1990	4.18	56	-6
	W3538T0200				
	W3538M0200	1920 - 2170	4.06	57	-6
	W3538A0200				
300	W3538B0300	824 - 960	2.40	42	-6
	W3538E0300	1710 - 1990	3.21	45	-6
	W3538T0300	1920 - 2170	2.68	44	-6
	W3538M0300				
500	W3538G0500	824 - 960	1.61	30	-5
		1710 - 1990	3.10	47	-6
		1920 - 2170	2.78	44	-6

Description: 824-960/1710-2170MHz 2G/3G
Pentaband PCB antenna with coax feed

Series: Internal PCB Antenna **PART NUMBER:** W3538XXXX

MECHANICAL SPECIFICATIONS

PCB size	40 [1.57] x 15 [0.59] x 0.7[0.028](with adhesive) mm[inch]
Connector type	Optional
Cable type	Optional
Cable length	Optional

ENVIRONMENTAL SPECIFICATIONS

Operating Temperature	-40/+85	° C
Storage Temperature	-40/+85	° C
RoHS Compliant		Yes

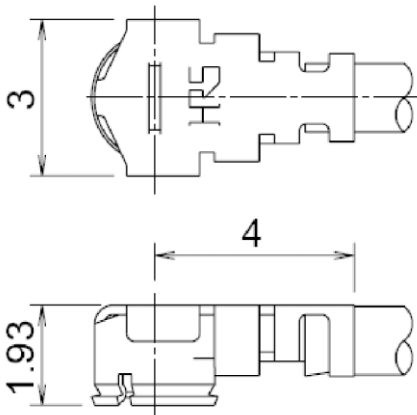
OTHER SPECIFICATIONS

Cable and Connector Configuration

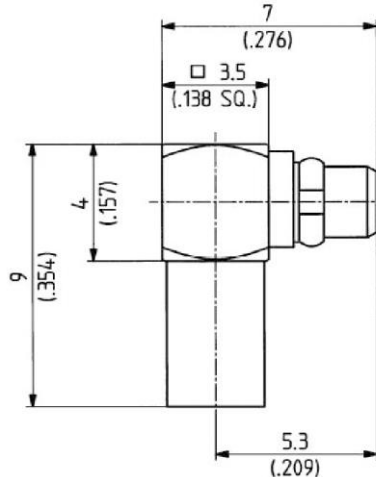
Antenna feed cable:

- 1.13mm OD with Hirose connector (U.FL series, MHF compatible)
- 1.13mm OD with MMCX right angle jack (male)
- 0.81mm OD with Murata GSC connector
- 0.81mm OD with Sunridge MCD connector
- 1.13mm OD with SMA male connector

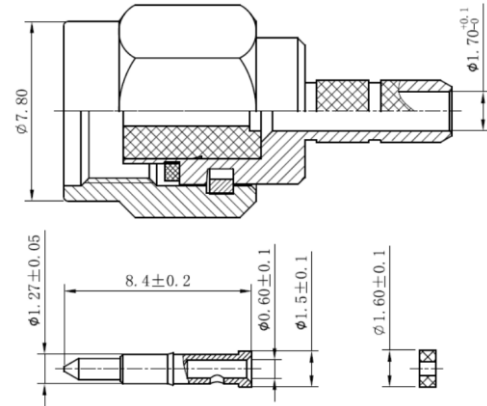
Hirose U.FL connector



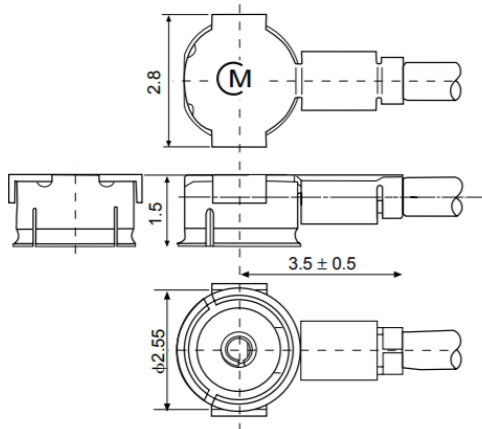
MMCX right angle jack (male)



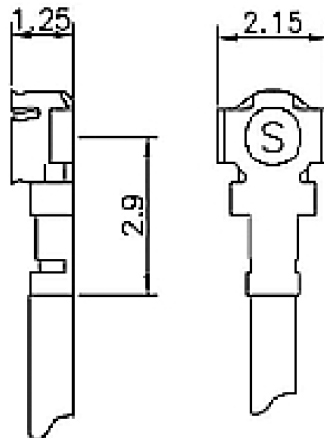
SMA male connector



Murata GSC connector



Sunridge MCD connector



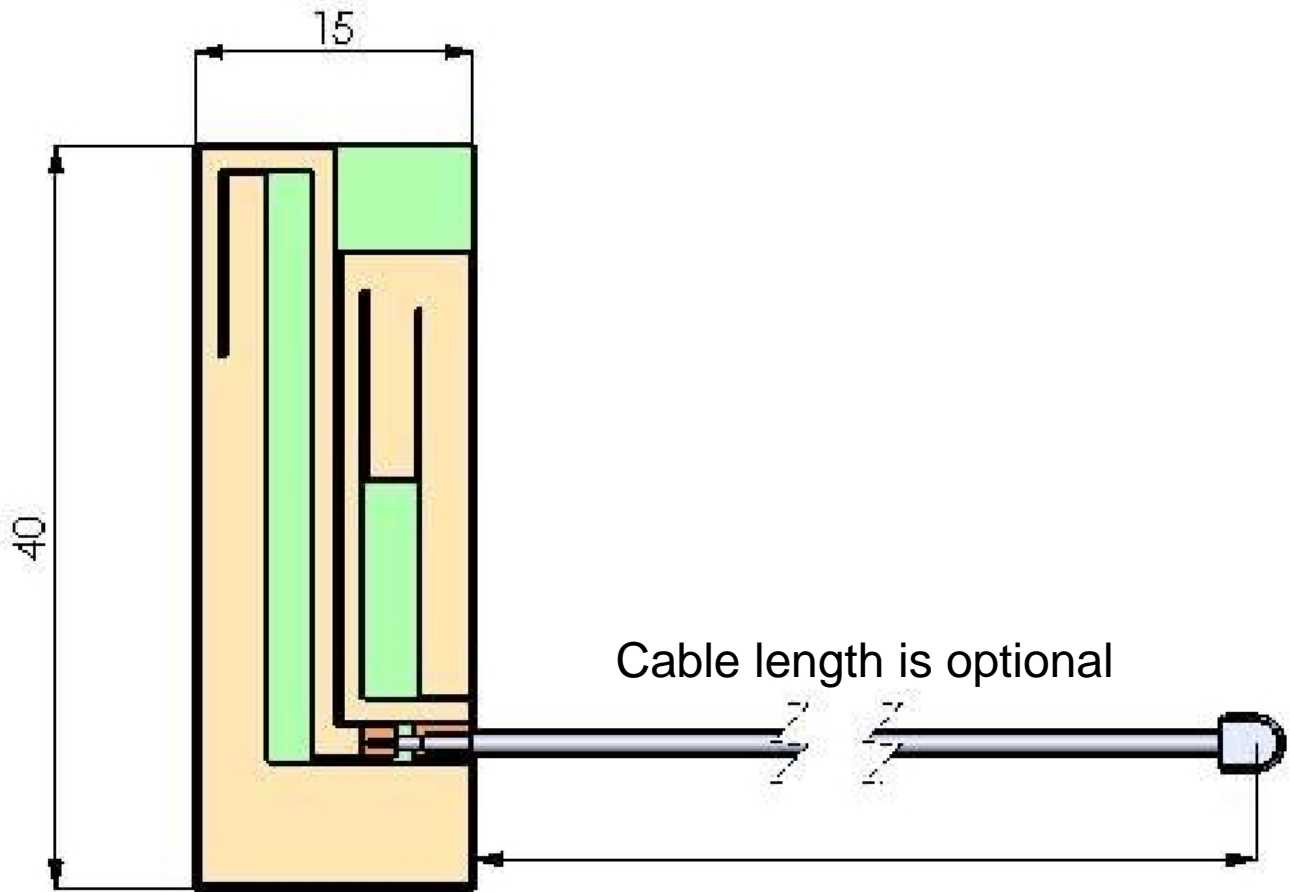
Issue: Issue: 1819

In the effort to improve our products, we reserve the right to make changes judged to be necessary.

CONFIDENTIAL AND PROPRIETARY INFORMATION

This document contains confidential and proprietary information of Pulse Electronics, Inc. (Pulse) and is protected by copyright, trade secret and other state and federal laws. Its receipt or possession does not convey any rights to reproduce, disclose its contents, or to manufacture, use or sell anything it may describe. Reproduction, disclosure or use without specific written authorization of Pulse is strictly forbidden.

MECHANICAL DRAWING



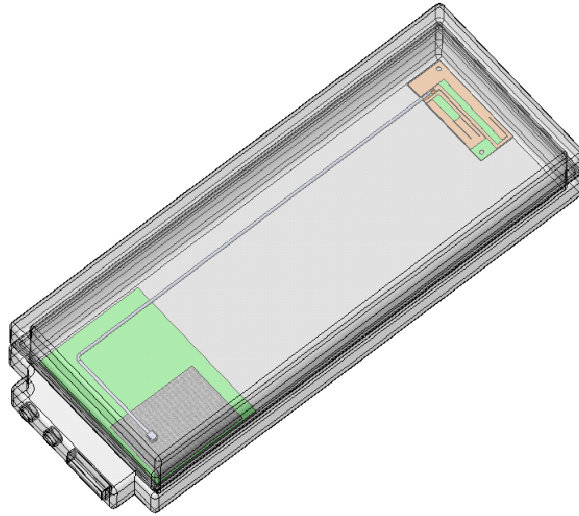
Dimension unit is mm

TEST SETUP

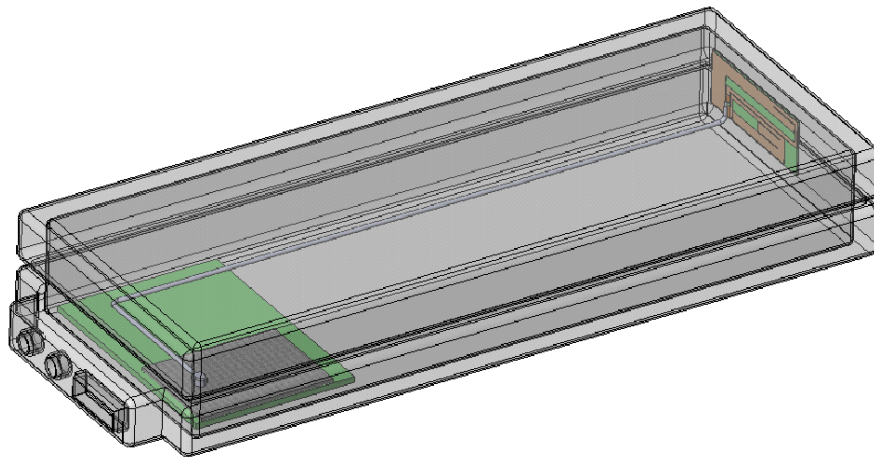
Test Unit and Antenna Mounting Options

Test unit is illustrative and antenna does not need effective ground plane

Position 1. Antenna could be mounted at same plane and level as device board or a different level also



Position 2. Antenna could be mounted on upright position at bottom end of device



Issue: Issue: 1819

In the effort to improve our products, we reserve the right to make changes judged to be necessary.

CONFIDENTIAL AND PROPRIETARY INFORMATION

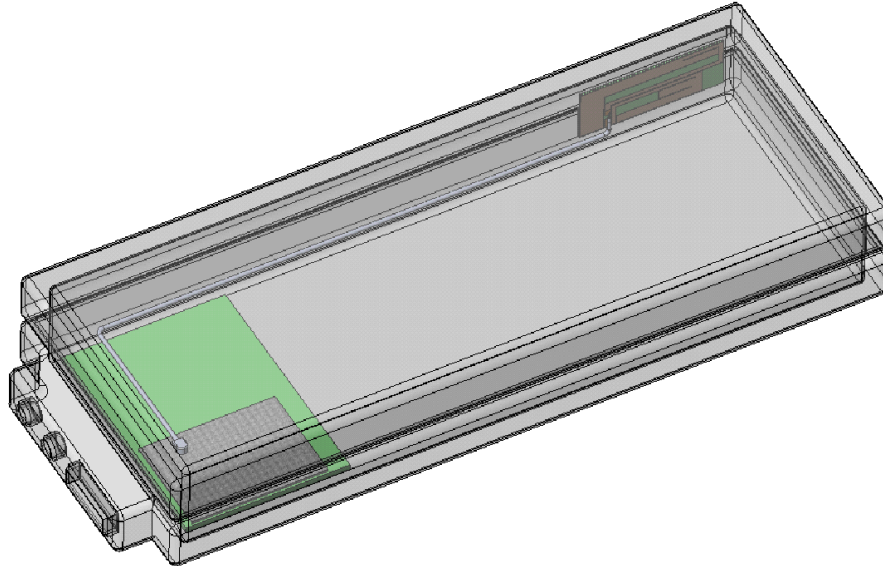
This document contains confidential and proprietary information of Pulse Electronics, Inc. (Pulse) and is protected by copyright, trade secret and other state and federal laws. Its receipt or possession does not convey any rights to reproduce, disclose its contents, or to manufacture, use or sell anything it may describe. Reproduction, disclosure or use without specific written authorization of Pulse is strictly forbidden.

Description: 824-960/1710-2170MHz 2G/3G
Pentaband PCB antenna with coax feed

Series: Internal PCB Antenna **PART NUMBER:** W3538XXXXX

TEST SETUP

Position 3. Antenna could be mounted on upright position at long edge of device



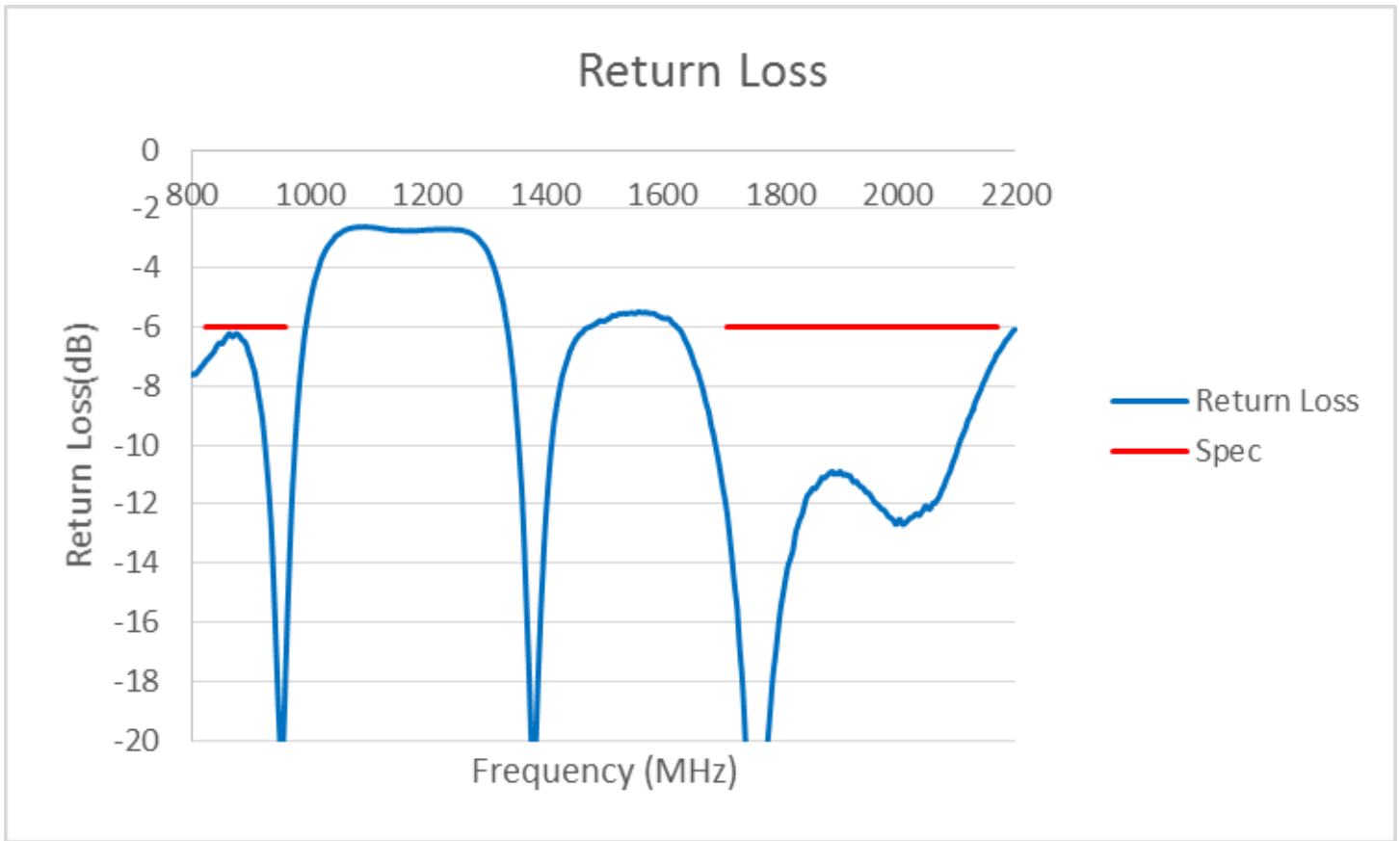
Issue: Issue: 1819

In the effort to improve our products, we reserve the right to make changes judged to be necessary.

CONFIDENTIAL AND PROPRIETARY INFORMATION

This document contains confidential and proprietary information of Pulse Electronics, Inc. (Pulse) and is protected by copyright, trade secret and other state and federal laws. Its receipt or possession does not convey any rights to reproduce, disclose its contents, or to manufacture, use or sell anything it may describe. Reproduction, disclosure or use without specific written authorization of Pulse is strictly forbidden.

CHARTS



Note: Antenna tested on 2mm plastic plate with 200mm feed cable.

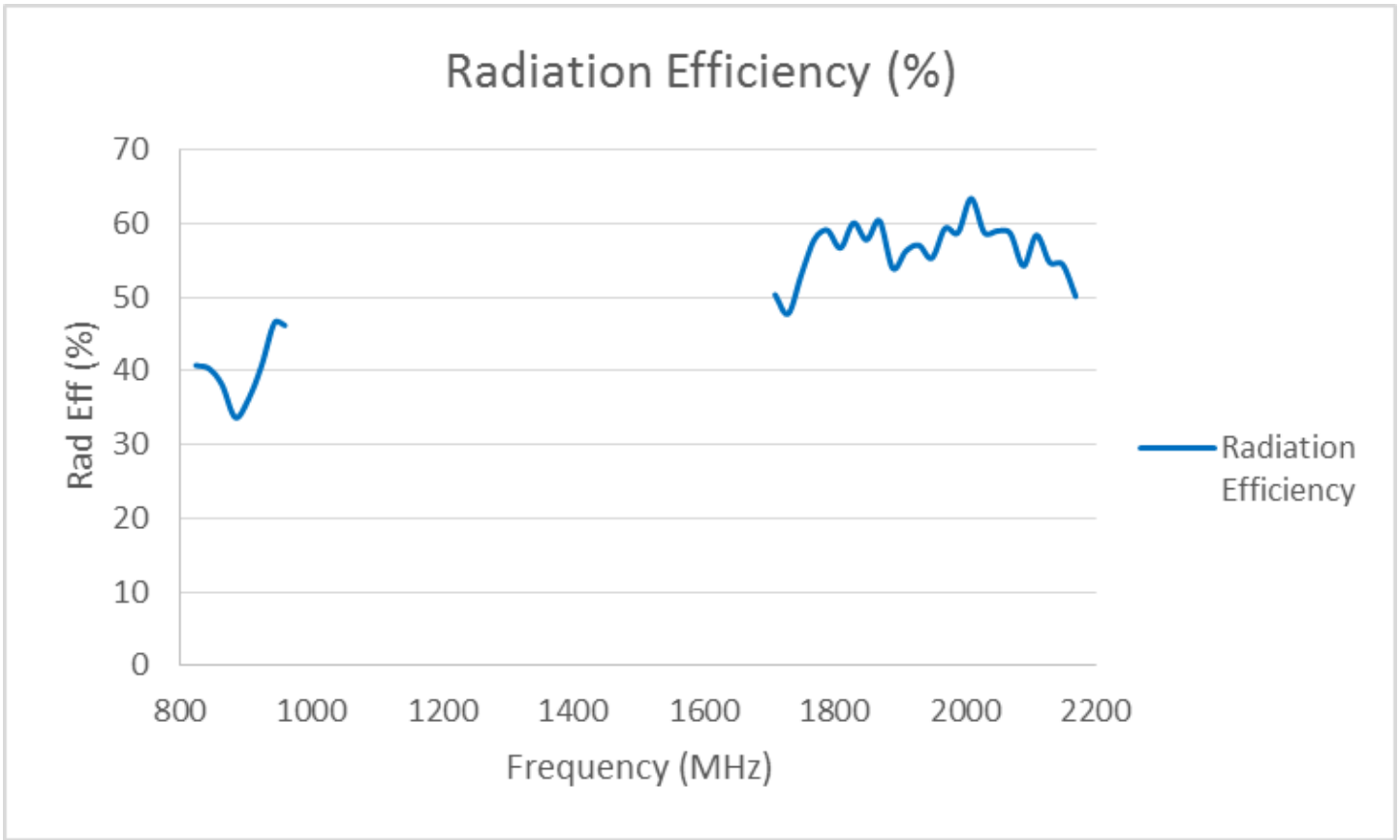
Issue: Issue: 1819

In the effort to improve our products, we reserve the right to make changes judged to be necessary.

CONFIDENTIAL AND PROPRIETARY INFORMATION

This document contains confidential and proprietary information of Pulse Electronics, Inc. (Pulse) and is protected by copyright, trade secret and other state and federal laws. Its receipt or possession does not convey any rights to reproduce, disclose its contents, or to manufacture, use or sell anything it may describe. Reproduction, disclosure or use without specific written authorization of Pulse is strictly forbidden.

CHARTS



Note: Antenna tested on 2mm plastic plate with 200mm feed cable.

Issue: Issue: 1819

In the effort to improve our products, we reserve the right to make changes judged to be necessary.

CONFIDENTIAL AND PROPRIETARY INFORMATION

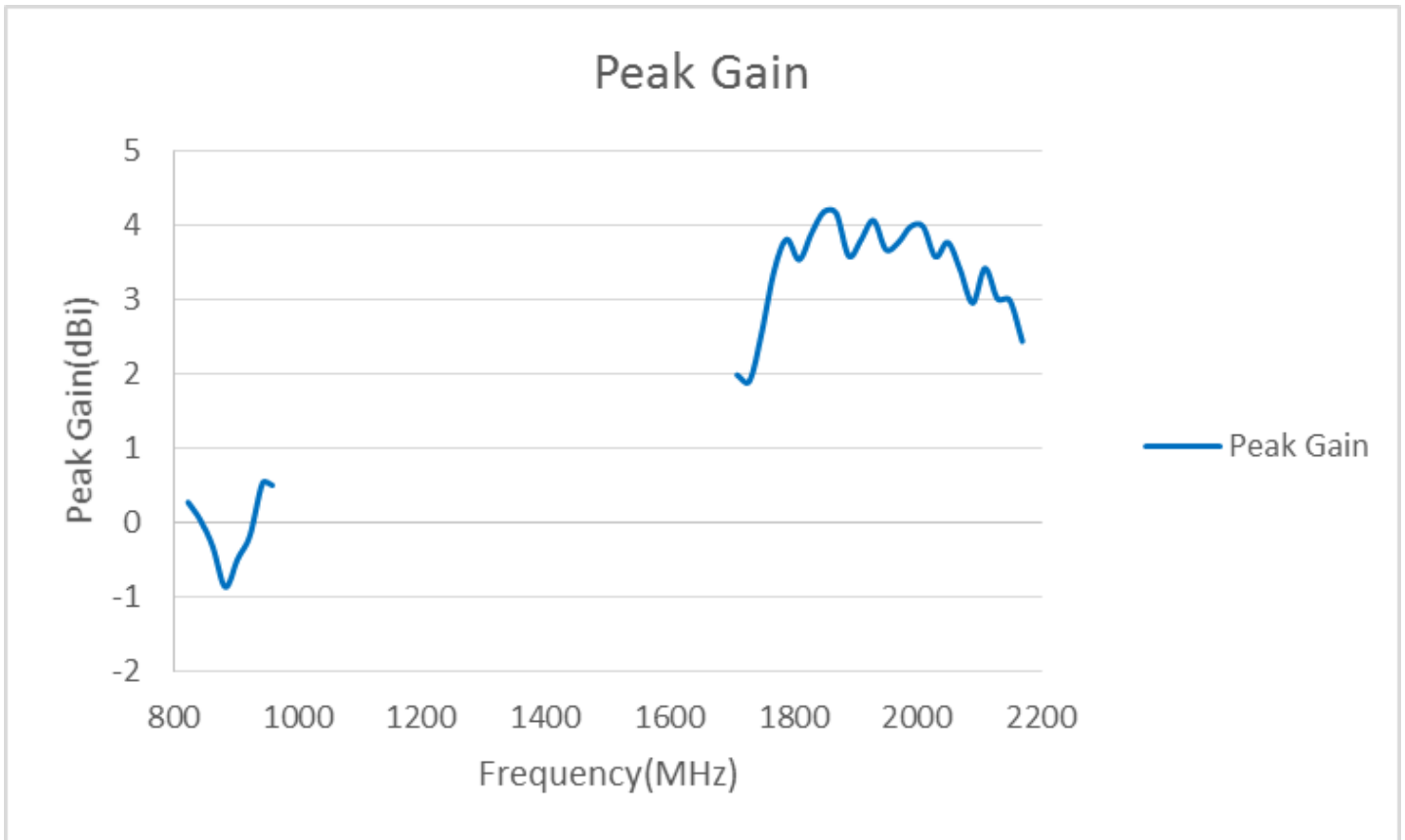
This document contains confidential and proprietary information of Pulse Electronics, Inc. (Pulse) and is protected by copyright, trade secret and other state and federal laws. Its receipt or possession does not convey any rights to reproduce, disclose its contents, or to manufacture, use or sell anything it may describe. Reproduction, disclosure or use without specific written authorization of Pulse is strictly forbidden.

Description: 824-960/1710-2170MHz 2G/3G
Pentaband PCB antenna with coax feed

Series: Internal PCB Antenna

PART NUMBER: W3538XXXXX

CHARTS



Note: Antenna tested on 2mm plastic plate with 200mm feed cable.

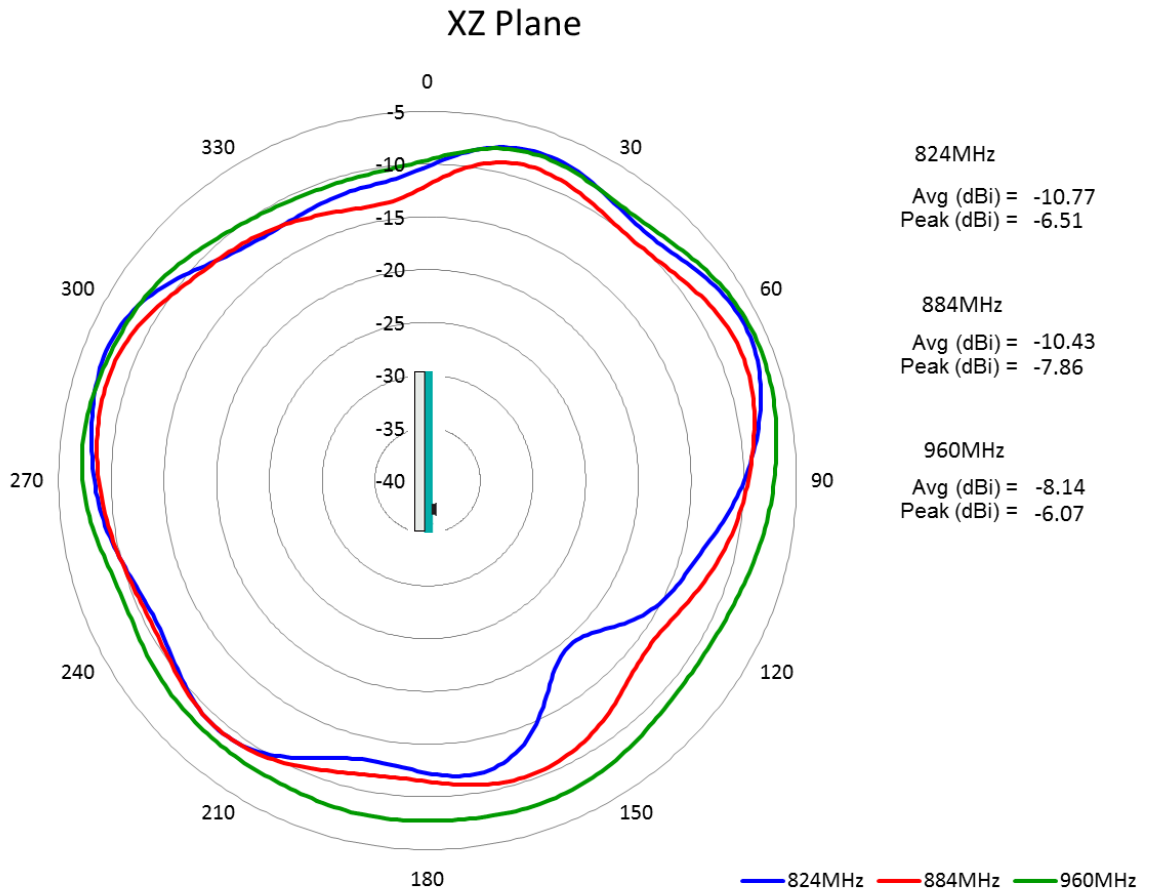
Issue: Issue: 1819

In the effort to improve our products, we reserve the right to make changes judged to be necessary.

CONFIDENTIAL AND PROPRIETARY INFORMATION

This document contains confidential and proprietary information of Pulse Electronics, Inc. (Pulse) and is protected by copyright, trade secret and other state and federal laws. Its receipt or possession does not convey any rights to reproduce, disclose its contents, or to manufacture, use or sell anything it may describe. Reproduction, disclosure or use without specific written authorization of Pulse is strictly forbidden.

CHARTS



Note: Antenna tested on 2mm plastic plate with 200mm feed cable.

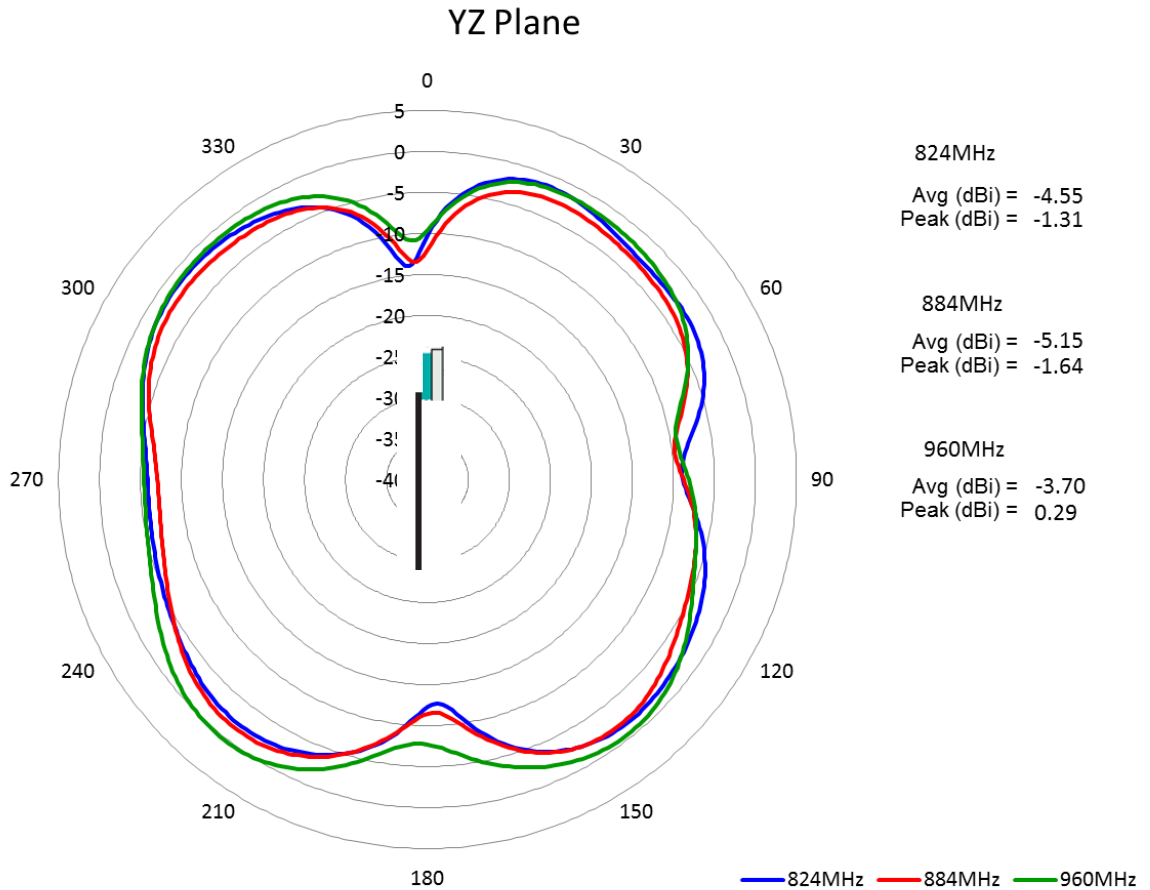
Issue: Issue: 1819

In the effort to improve our products, we reserve the right to make changes judged to be necessary.

CONFIDENTIAL AND PROPRIETARY INFORMATION

This document contains confidential and proprietary information of Pulse Electronics, Inc. (Pulse) and is protected by copyright, trade secret and other state and federal laws. Its receipt or possession does not convey any rights to reproduce, disclose its contents, or to manufacture, use or sell anything it may describe. Reproduction, disclosure or use without specific written authorization of Pulse is strictly forbidden.

CHARTS



Note: Antenna tested on 2mm plastic plate with 200mm feed cable.

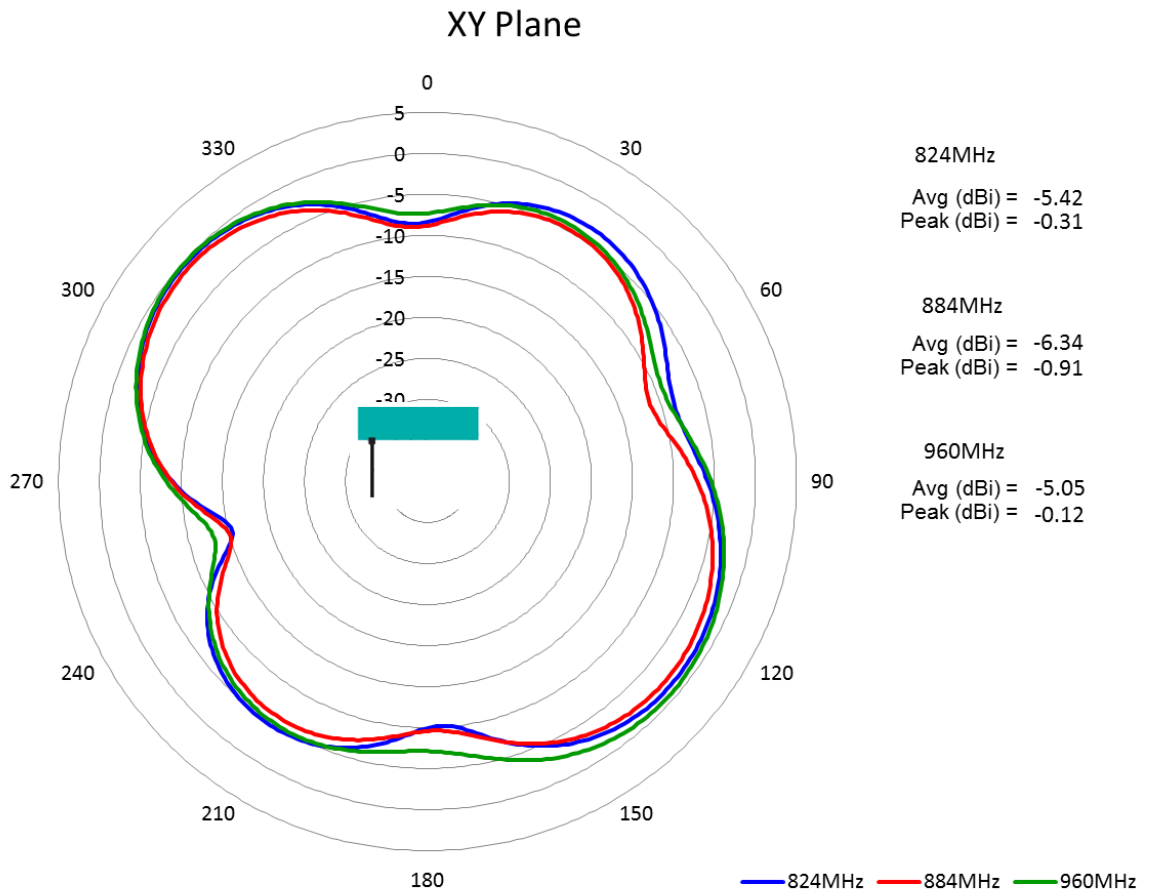
Issue: Issue: 1819

In the effort to improve our products, we reserve the right to make changes judged to be necessary.

CONFIDENTIAL AND PROPRIETARY INFORMATION

This document contains confidential and proprietary information of Pulse Electronics, Inc. (Pulse) and is protected by copyright, trade secret and other state and federal laws. Its receipt or possession does not convey any rights to reproduce, disclose its contents, or to manufacture, use or sell anything it may describe. Reproduction, disclosure or use without specific written authorization of Pulse is strictly forbidden.

CHARTS



Note: Antenna tested on 2mm plastic plate with 200mm feed cable.

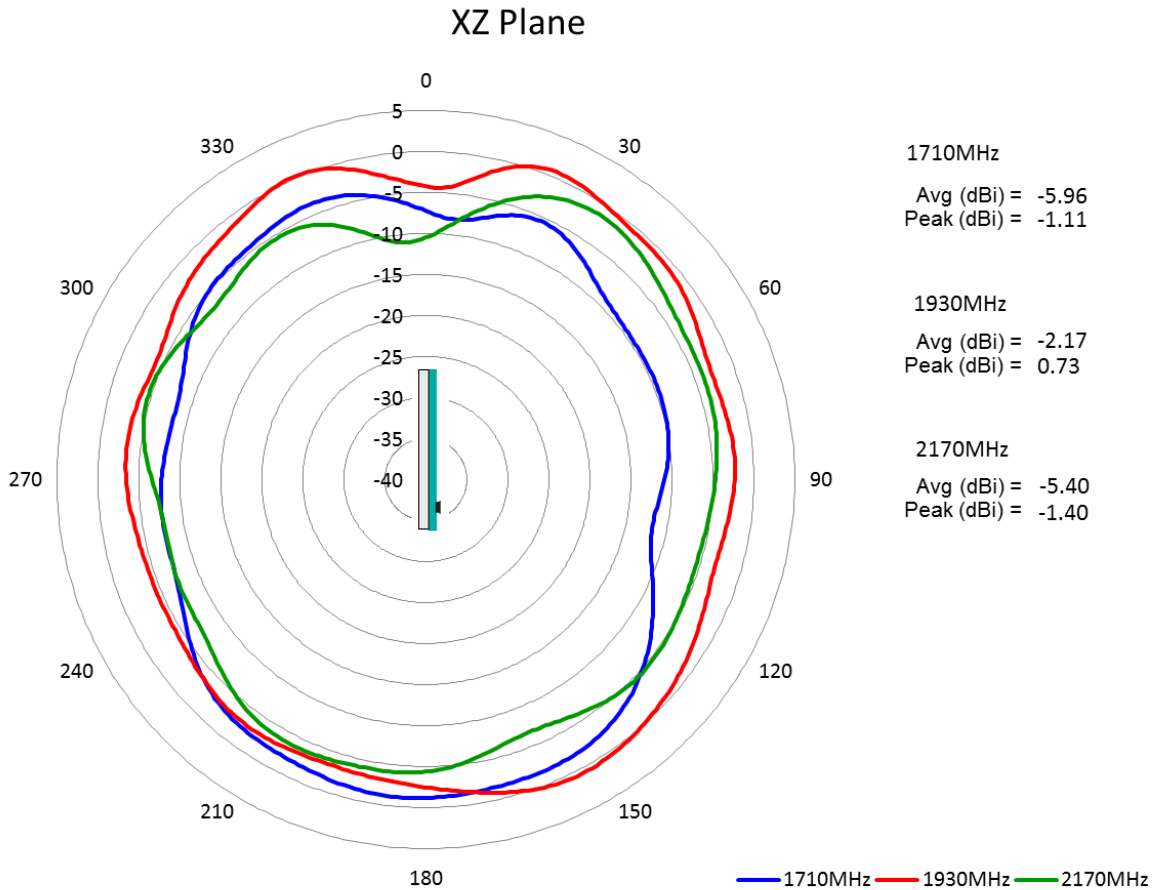
Issue: Issue: 1819

In the effort to improve our products, we reserve the right to make changes judged to be necessary.

CONFIDENTIAL AND PROPRIETARY INFORMATION

This document contains confidential and proprietary information of Pulse Electronics, Inc. (Pulse) and is protected by copyright, trade secret and other state and federal laws. Its receipt or possession does not convey any rights to reproduce, disclose its contents, or to manufacture, use or sell anything it may describe. Reproduction, disclosure or use without specific written authorization of Pulse is strictly forbidden.

CHARTS



Note: Antenna tested on 2mm plastic plate with 200mm feed cable.

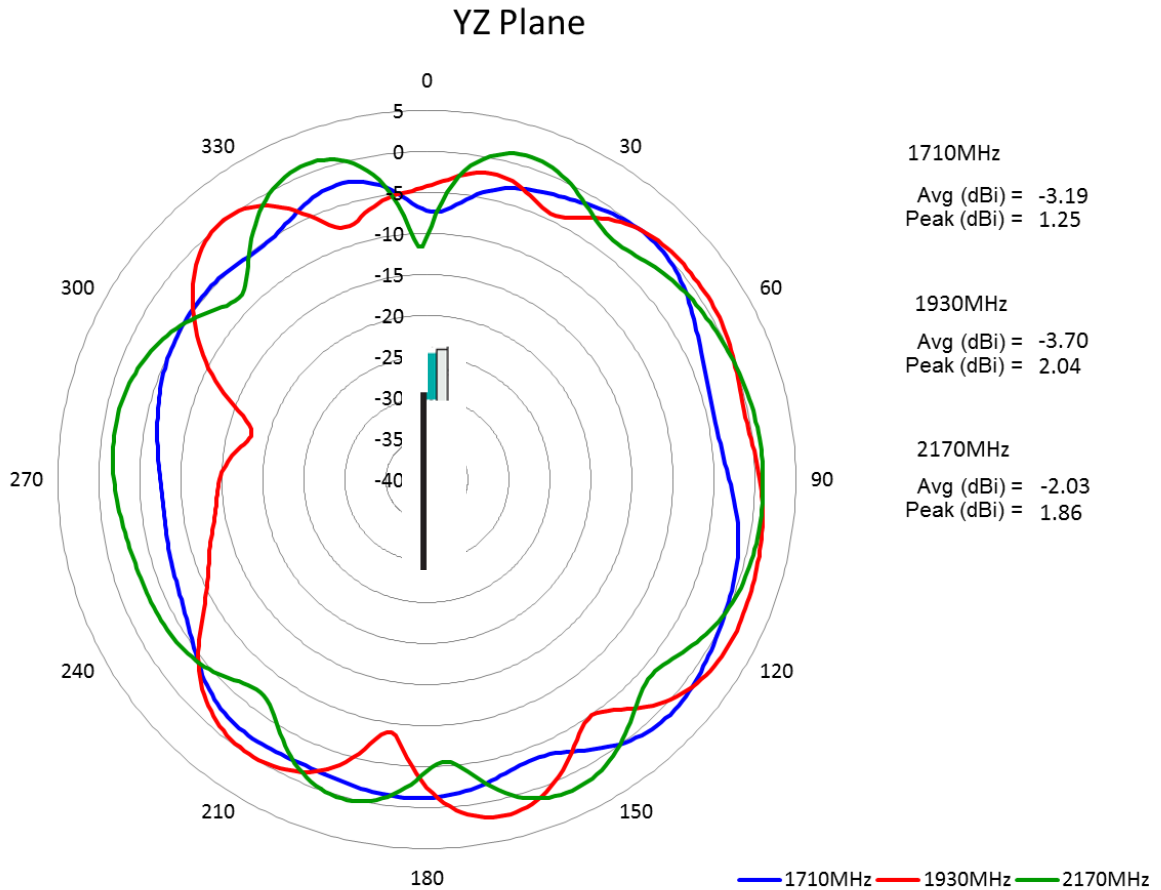
Issue: Issue: 1819

In the effort to improve our products, we reserve the right to make changes judged to be necessary.

CONFIDENTIAL AND PROPRIETARY INFORMATION

This document contains confidential and proprietary information of Pulse Electronics, Inc. (Pulse) and is protected by copyright, trade secret and other state and federal laws. Its receipt or possession does not convey any rights to reproduce, disclose its contents, or to manufacture, use or sell anything it may describe. Reproduction, disclosure or use without specific written authorization of Pulse is strictly forbidden.

CHARTS



Note: Antenna tested on 2mm plastic plate with 200mm feed cable.

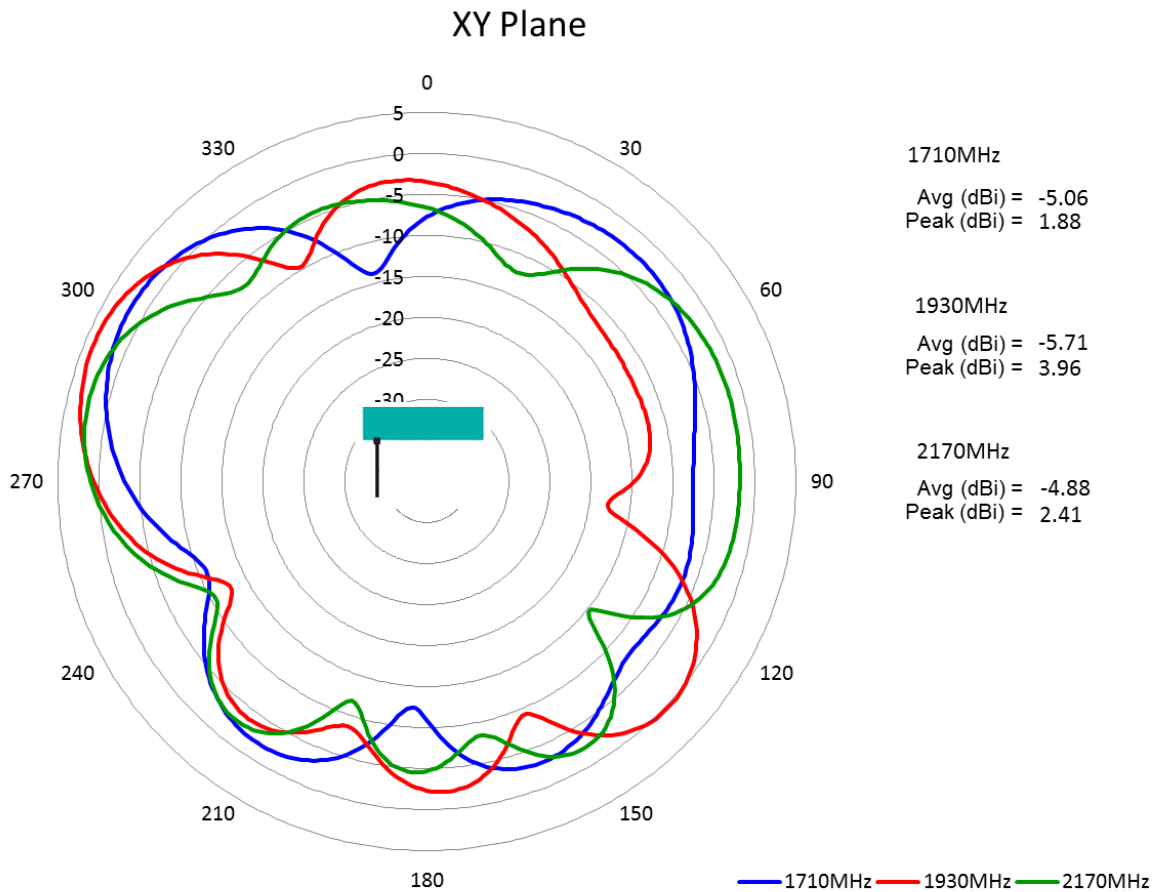
Issue: Issue: 1819

In the effort to improve our products, we reserve the right to make changes judged to be necessary.

CONFIDENTIAL AND PROPRIETARY INFORMATION

This document contains confidential and proprietary information of Pulse Electronics, Inc. (Pulse) and is protected by copyright, trade secret and other state and federal laws. Its receipt or possession does not convey any rights to reproduce, disclose its contents, or to manufacture, use or sell anything it may describe. Reproduction, disclosure or use without specific written authorization of Pulse is strictly forbidden.

CHARTS



Note: Antenna tested on 2mm plastic plate with 200mm feed cable.

Issue: Issue: 1819

In the effort to improve our products, we reserve the right to make changes judged to be necessary.

CONFIDENTIAL AND PROPRIETARY INFORMATION

This document contains confidential and proprietary information of Pulse Electronics, Inc. (Pulse) and is protected by copyright, trade secret and other state and federal laws. Its receipt or possession does not convey any rights to reproduce, disclose its contents, or to manufacture, use or sell anything it may describe. Reproduction, disclosure or use without specific written authorization of Pulse is strictly forbidden.