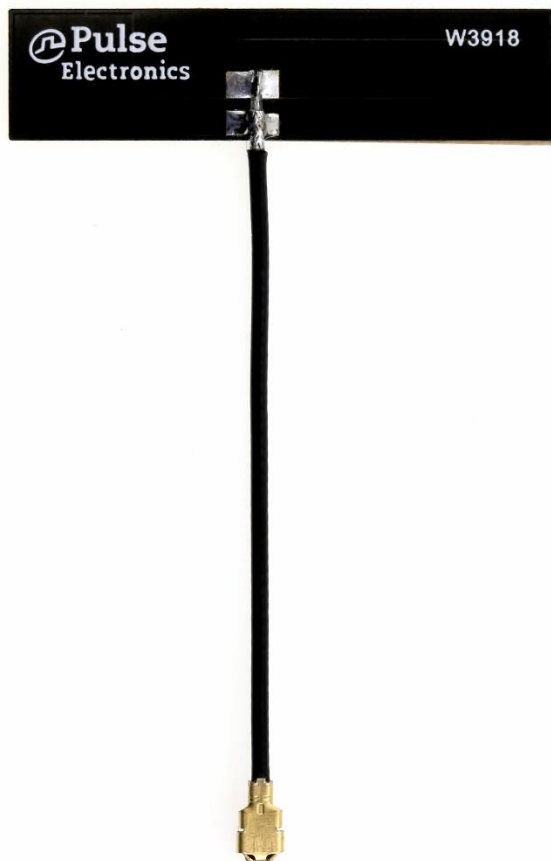


Description: 2.4/5GHz FPC antenna

Series: Internal Antenna

PART NUMBER: W3918XXXX



Features:

- 2400-2500 / 4900-5925 MHz
- Size 35.2 X 8.5 X 0.15 mm
- Efficiency > 60/70%
- VSWR < 2
- Nominal impedance 50 Ω
- Cable and connector can be customized

Applications:

- WiFi, Bluetooth, BLE, ZigBee
- DSRC
- ISM band radios
- IoT, M2M

All dimensions are in mm / inches

Issue: 1714

In the effort to improve our products, we reserve the right to make changes judged to be necessary.

CONFIDENTIAL AND PROPRIETARY INFORMATION

This document contains confidential and proprietary information of Pulse Electronics, Inc. (Pulse) and is protected by copyright, trade secret and other state and federal laws. Its receipt or possession does not convey any rights to reproduce, disclose its contents, or to manufacture, use or sell anything it may describe. Reproduction, disclosure or use without specific written authorization of Pulse is strictly forbidden.

For more information:

Pulse Worldwide Headquarters
15255 Innovation Drive #100
San Diego, CA 92128
USA
Tel: 1-858-674-8100

Pulse/Larsen Antennas
18110 SE 34th St Bldg 2 Suite 250
Vancouver, WA 98683
USA
Tel: 1-360-944-7551

Europe Headquarters
Pulse GmbH & Do, KG
Zeppelinstrasse 15
Herrenberg, Germany
Tel: 49 7032 7806 0

Pulse (Suzhou) Wireless Products Co, Inc.
99 Huo Ju Road(#29 Bldg,4th Phase
Suzhou New District
Jiangsu Province, Suzhou 215009 PR China
Tel: 86 512 6807 9998



Description: 2.4/5GHz FPC antenna

Series: Internal Antenna

PART NUMBER: W3918XXXX

This document covers all product variants of the following product family:

W3918B0050	50mm 1.13mm OD cable	U.FL compatible connector
W3918B0100	100mm 1.13mm OD cable	U.FL compatible connector
W3918T0050	50mm 1.13mm OD cable	RP-SMA MALE, straight connector

Issue: 1714

In the effort to improve our products, we reserve the right to make changes judged to be necessary.

CONFIDENTIAL AND PROPRIETARY INFORMATION

This document contains confidential and proprietary information of Pulse Electronics, Inc. (Pulse) and is protected by copyright, trade secret and other state and federal laws. Its receipt or possession does not convey any rights to reproduce, disclose its contents, or to manufacture, use or sell anything it may describe. Reproduction, disclosure or use without specific written authorization of Pulse is strictly forbidden.

For more information:

Pulse Worldwide Headquarters
15255 Innovation Drive #100
San Diego, CA 92128
USA
Tel:1-858-674-8100

Pulse/Larsen Antennas
18110 SE 34th St Bldg 2 Suite 250
Vancouver, WA 98683
USA
Tel: 1-360-944-7551

Europe Headquarters
Pulse GmbH & Do, KG
Zeppelinstrasse 15
Herrenberg, Germany
Tel: 49 7032 7806 0

Pulse (Suzhou) Wireless Products Co, Inc.
99 Huo Ju Road(#29 Bldg,4th Phase
Suzhou New District
Jiangsu Province, Suzhou 215009 PR China
Tel: 86 512 6807 9998



Description: 2.4/5GHz FPC antenna

Series: Internal Antenna

PART NUMBER: W3918XXXX

ELECTRICAL SPECIFICATIONS

Frequency	2400-2500, 4900-5925MHz
Nominal Impedance	50Ω
VSWR	< 2
Gain	3dBi+/- 1dB @ 2.4GHz 4dBi+/-1dB@5GHz
Efficiency(%)	60/70%
Radiation Pattern	Omni
Polarization:	Linear
Power withstanding	2 W
Connector	Optional
Cable type	1.13mm coaxial cable black
Cable length	Optional

(* All RF parameters measured on 2mm thick PC plate

Description: 2.4/5GHz FPC antenna**Series: Internal Antenna****PART NUMBER: W3918XXXX****MECHANICAL SPECIFICATIONS**

Radiator material	FPC
Color	Black
Adhesive	3M467
Thickness(with adhesive, no liner)	0.15 mm
FPC size(L X W X T)	35.2 X 8.5 X 0.15 mm

ENVIRONMENTAL SPECIFICATIONS

Operating temperature	-40/+85 ° C
-----------------------	-------------

Issue: 1714

In the effort to improve our products, we reserve the right to make changes judged to be necessary.

CONFIDENTIAL AND PROPRIETARY INFORMATION

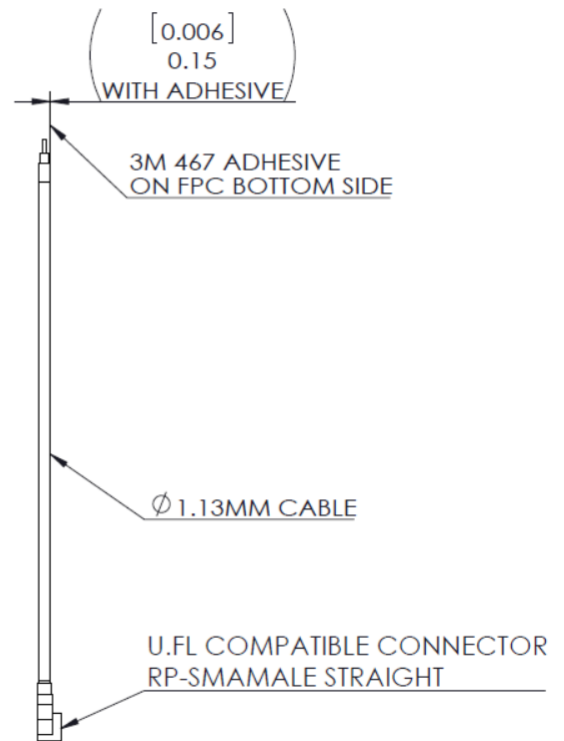
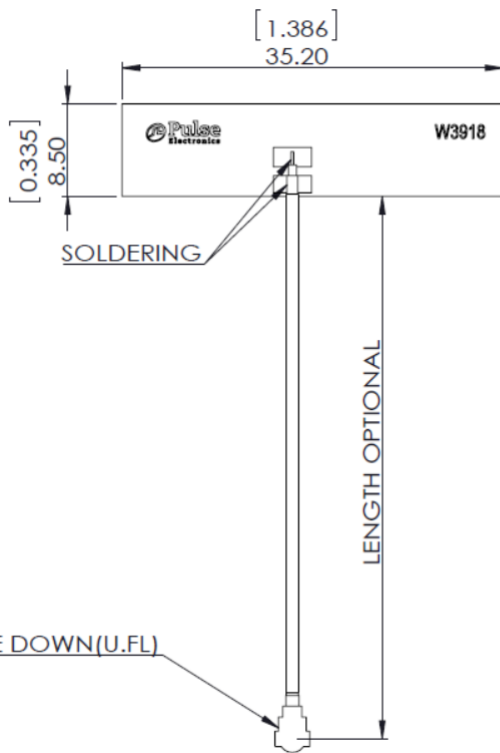
This document contains confidential and proprietary information of Pulse Electronics, Inc. (Pulse) and is protected by copyright, trade secret and other state and federal laws. Its receipt or possession does not convey any rights to reproduce, disclose its contents, or to manufacture, use or sell anything it may describe. Reproduction, disclosure or use without specific written authorization of Pulse is strictly forbidden.

Description: 2.4/5GHz FPC antenna

Series: Internal Antenna

PART NUMBER: W3918XXXX

MECHANICAL DRAWING



Issue: 1714

In the effort to improve our products, we reserve the right to make changes judged to be necessary.

CONFIDENTIAL AND PROPRIETARY INFORMATION

This document contains confidential and proprietary information of Pulse Electronics, Inc. (Pulse) and is protected by copyright, trade secret and other state and federal laws. Its receipt or possession does not convey any rights to reproduce, disclose its contents, or to manufacture, use or sell anything it may describe. Reproduction, disclosure or use without specific written authorization of Pulse is strictly forbidden.

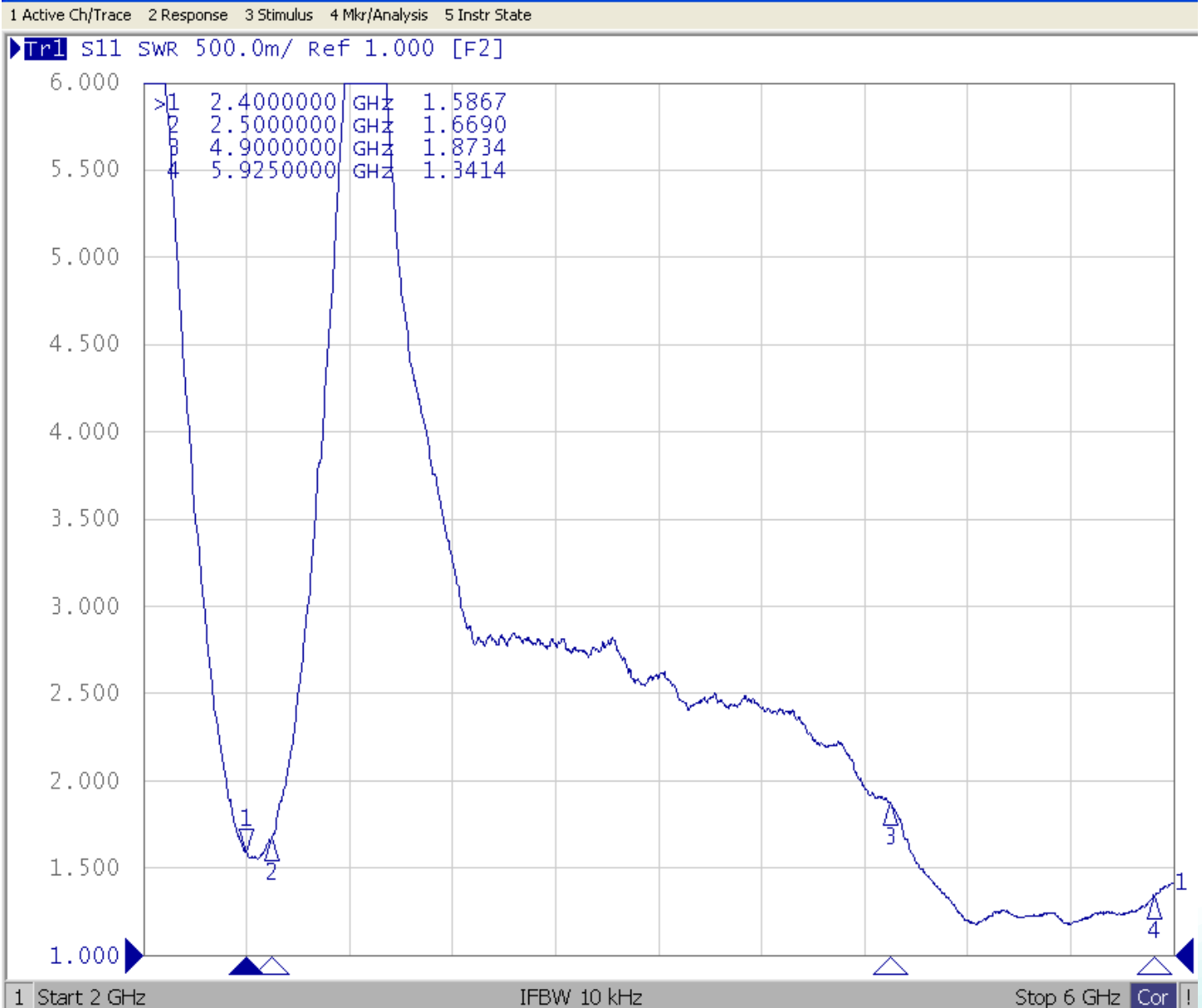
Description: 2.4/5GHz FPC antenna

Series: Internal Antenna

PART NUMBER: W3918XXXX

CHARTS

(*) All RF parameters measured on 2mm thick PC plate



Issue: 1714

In the effort to improve our products, we reserve the right to make changes judged to be necessary.

CONFIDENTIAL AND PROPRIETARY INFORMATION

This document contains confidential and proprietary information of Pulse Electronics, Inc. (Pulse) and is protected by copyright, trade secret and other state and federal laws. Its receipt or possession does not convey any rights to reproduce, disclose its contents, or to manufacture, use or sell anything it may describe. Reproduction, disclosure or use without specific written authorization of Pulse is strictly forbidden.



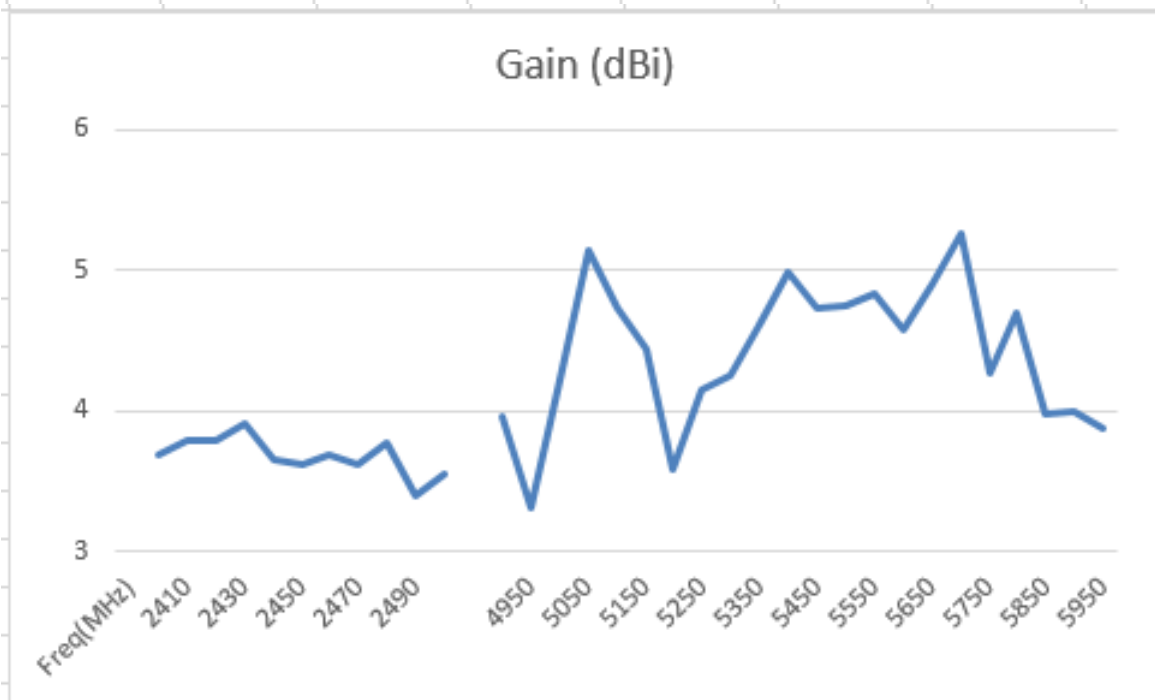
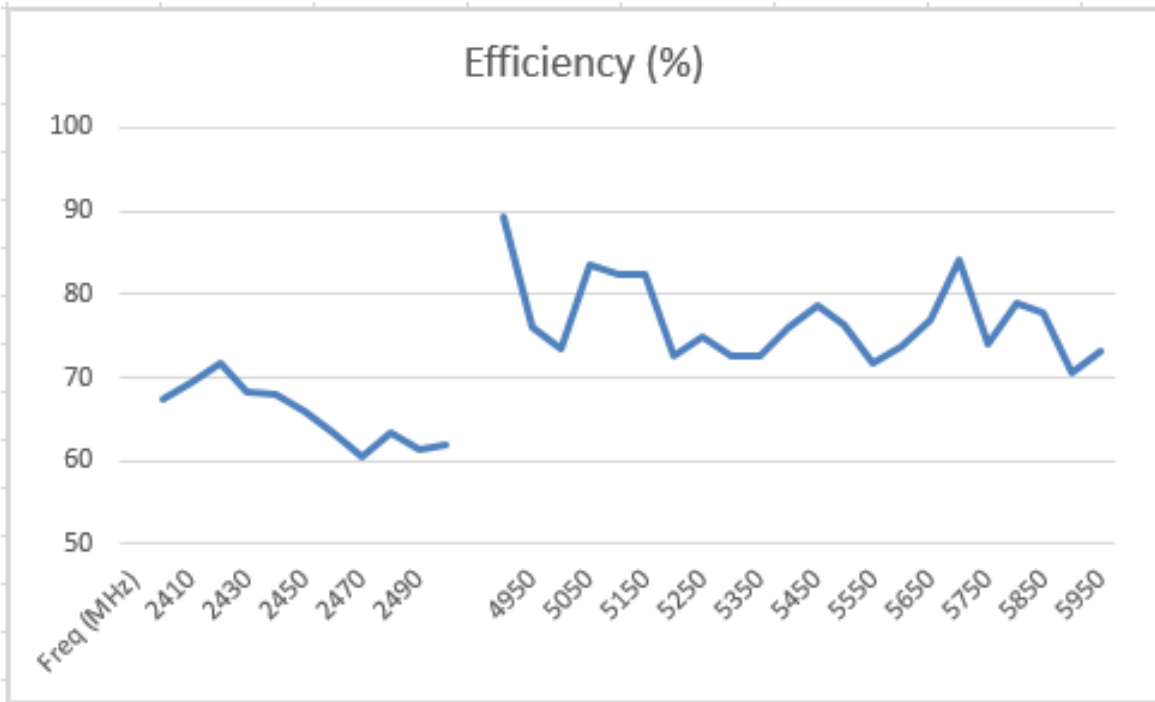
Description: 2.4/5GHz FPC antenna

Series: Internal Antenna

PART NUMBER: W3918XXXX

CHARTS

(* All RF parameters measured on 2mm thick PC plate



Issue: 1714

In the effort to improve our products, we reserve the right to make changes judged to be necessary.

CONFIDENTIAL AND PROPRIETARY INFORMATION

This document contains confidential and proprietary information of Pulse Electronics, Inc. (Pulse) and is protected by copyright, trade secret and other state and federal laws. Its receipt or possession does not convey any rights to reproduce, disclose its contents, or to manufacture, use or sell anything it may describe. Reproduction, disclosure or use without specific written authorization of Pulse is strictly forbidden.

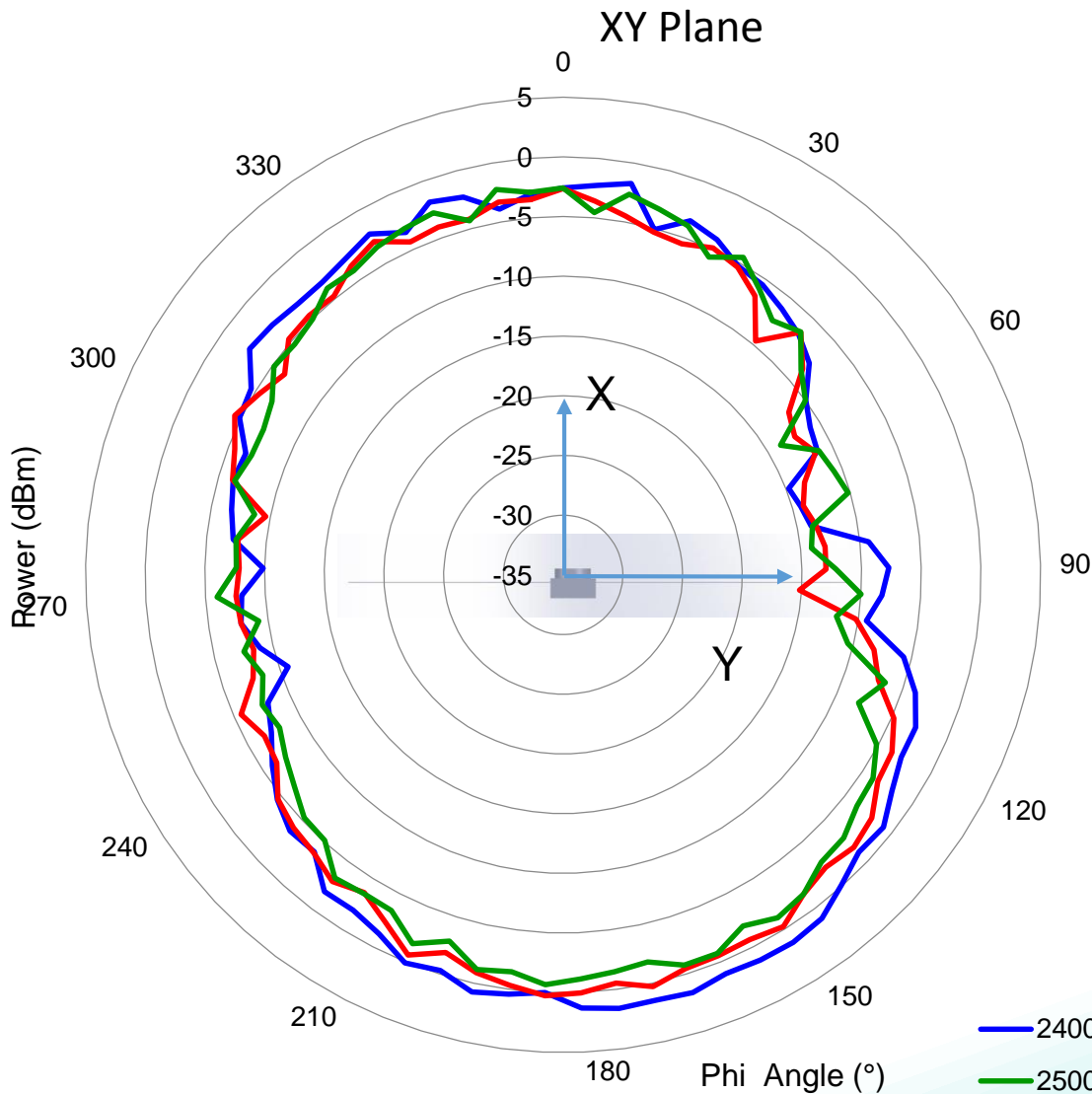
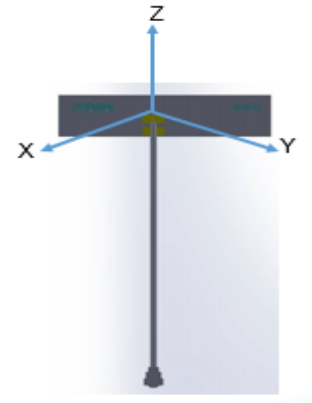
Description: 2.4/5GHz FPC antenna

Series: Internal Antenna

PART NUMBER: W3918XXXX

CHARTS

Typical free space radiation pattern
WIFI2.4GHz
() All RF parameters measured on 2mm thick PC plate*



2400MHz	Avg (dBi) = -4.37	Peak (dBi) = 1.63	Avg -3 (deg) = 80
2450MHz	Avg (dBi) = -5.41	Peak (dBi) = 0.31	Avg -3 (deg) = 55
2500MHz	Avg (dBi) = -5.61	Peak (dBi) = -0.64	Avg -3 (deg) = 125

— 2400MHz — 2450MHz
— 2500MHz

Issue: 1714

In the effort to improve our products, we reserve the right to make changes judged to be necessary.

CONFIDENTIAL AND PROPRIETARY INFORMATION

This document contains confidential and proprietary information of Pulse Electronics, Inc. (Pulse) and is protected by copyright, trade secret and other state and federal laws. Its receipt or possession does not convey any rights to reproduce, disclose its contents, or to manufacture, use or sell anything it may describe. Reproduction, disclosure or use without specific written authorization of Pulse is strictly forbidden.

Description: 2.4/5GHz FPC antenna

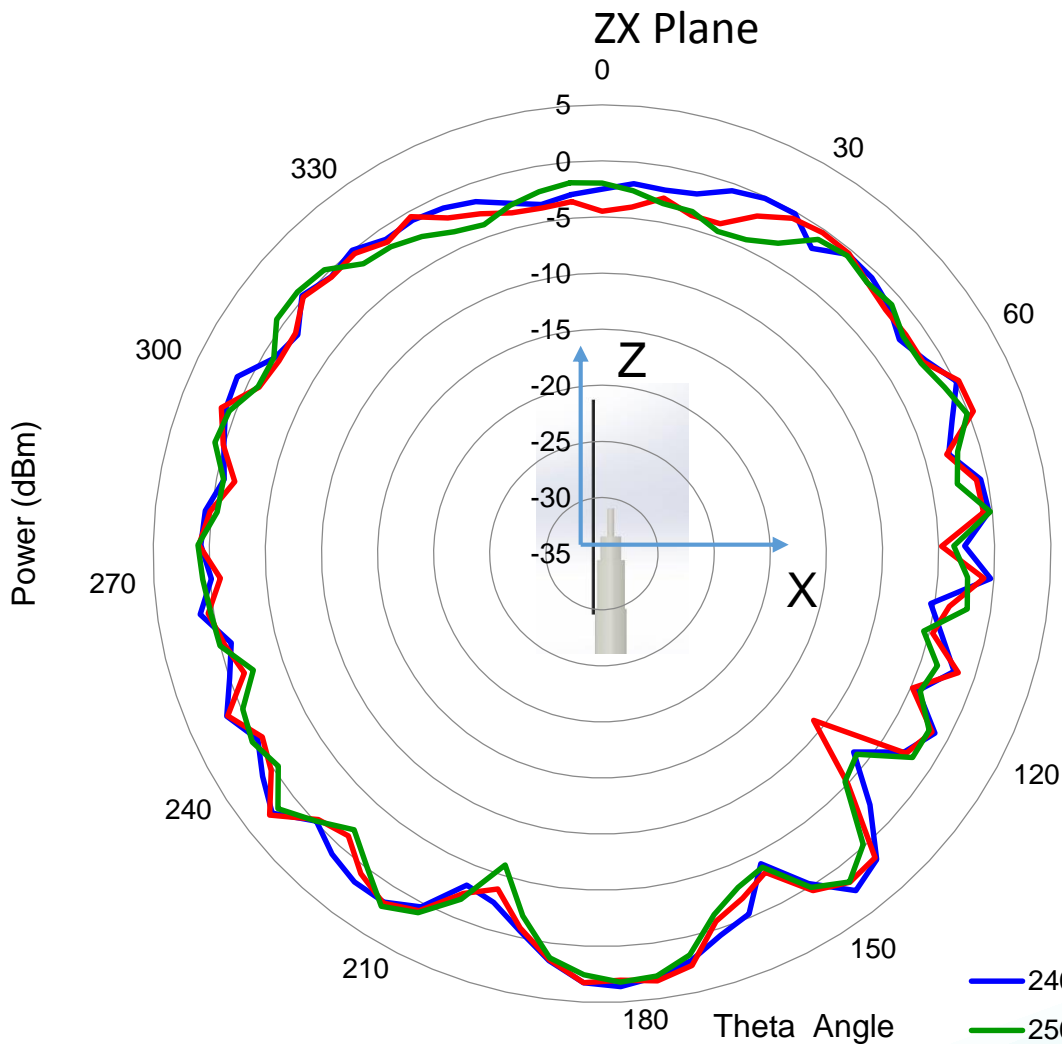
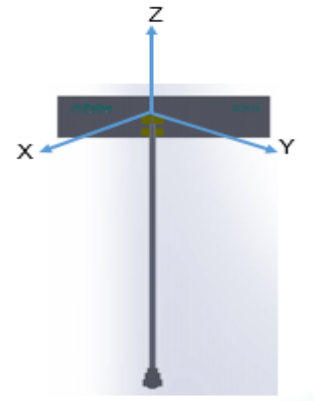
Series: Internal Antenna

PART NUMBER: W3918XXXX

CHARTS

Typical free space radiation pattern
WIFI 2.4GHz

(* All RF parameters measured on 2mm thick PC plate



2400MHz	Avg (dBi) = -0.69
	Peak (dBi) = 3.61
	Avg -3 (deg) = 42.5
2450MHz	Avg (dBi) = -1.18
	Peak (dBi) = 3.38
	Avg -3 (deg) = 40
2500MHz	Avg (dBi) = -1.31
	Peak (dBi) = 3.22
	Avg -3 (deg) = 42.5

— 2400MHz — 2450MHz
— 2500MHz

Issue: 1714

In the effort to improve our products, we reserve the right to make changes judged to be necessary.

CONFIDENTIAL AND PROPRIETARY INFORMATION

This document contains confidential and proprietary information of Pulse Electronics, Inc. (Pulse) and is protected by copyright, trade secret and other state and federal laws. Its receipt or possession does not convey any rights to reproduce, disclose its contents, or to manufacture, use or sell anything it may describe. Reproduction, disclosure or use without specific written authorization of Pulse is strictly forbidden.

Description: 2.4/5GHz FPC antenna

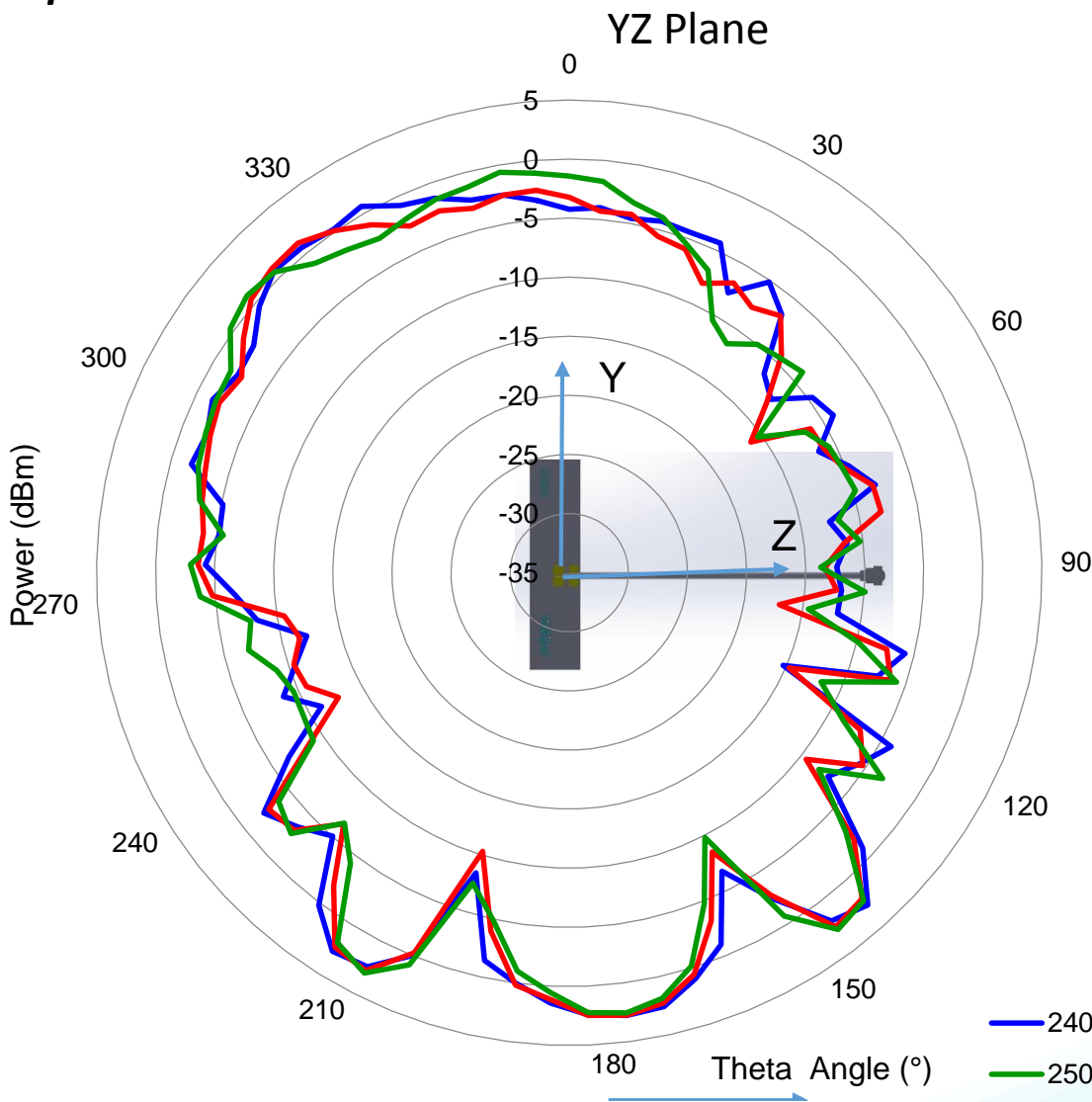
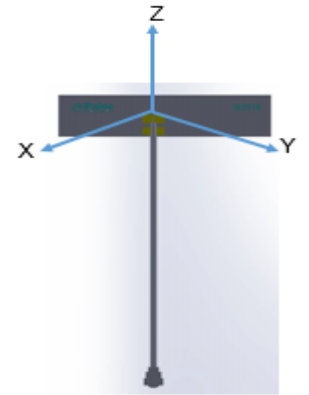
Series: Internal Antenna

PART NUMBER: W3918XXXX

CHARTS

Typical free space radiation pattern
WIFI 2.4GHz

(* All RF parameters measured on 2mm thick PC plate



	Avg (dBi) = -4.54
	Peak (dBi) = 2.80
	Avg -3 (deg) = 37.5
2450MHz	
	Avg (dBi) = -5.12
	Peak (dBi) = 2.8
	Avg -3 (deg) = 32.5
2500MHz	
	Avg (dBi) = -4.86
	Peak (dBi) = 3.05
	Avg -3 (deg) = 27.5

— 2400MHz — 2450MHz — 2500MHz

Issue: 1714

In the effort to improve our products, we reserve the right to make changes judged to be necessary.
CONFIDENTIAL AND PROPRIETARY INFORMATION

This document contains confidential and proprietary information of Pulse Electronics, Inc. (Pulse) and is protected by copyright, trade secret and other state and federal laws. Its receipt or possession does not convey any rights to reproduce, disclose its contents, or to manufacture, use or sell anything it may describe. Reproduction, disclosure or use without specific written authorization of Pulse is strictly forbidden.

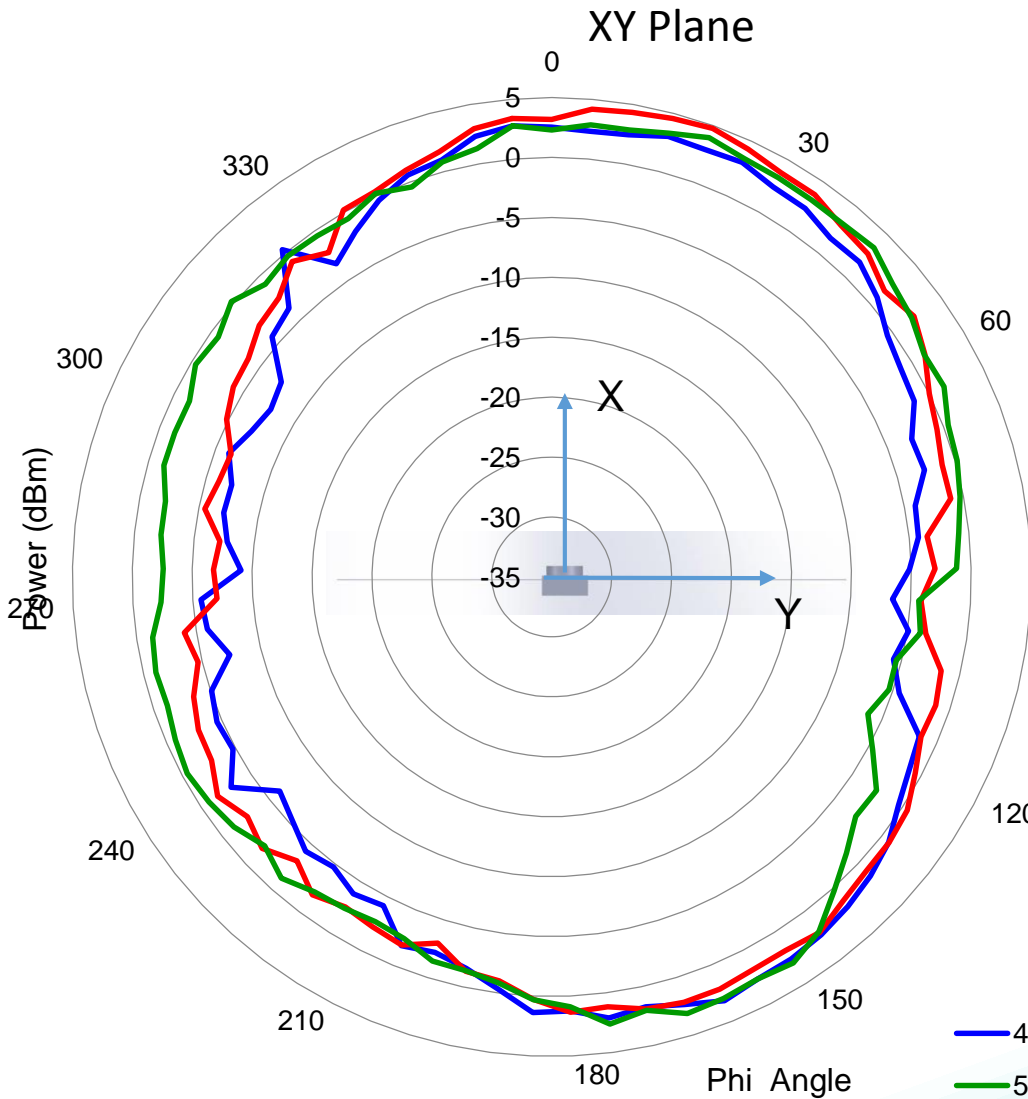
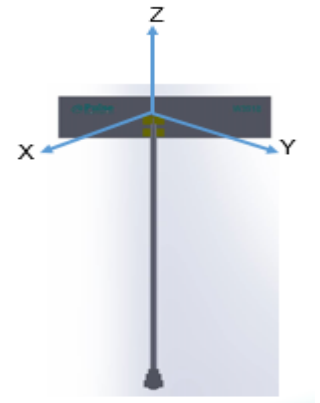
Description: 2.4/5GHz FPC antenna

Series: Internal Antenna

PART NUMBER: W3918XXXX

CHARTS

Typical free space radiation pattern
 WIFI 5GHz
 (*) All RF parameters measured on 2mm thick PC plate



	Avg (dBi) = -1.83
	Peak (dBi) = 3.19
	Avg -3 (deg) = 13
	5
5400MHz	
	Avg (dBi) = -0.70
	Peak (dBi) = 4.75
	Avg -3 (deg) = 15
	5
5900MHz	
	Avg (dBi) = -0.20
	Peak (dBi) = 3.93
	Avg -3 (deg) = 11
	0

— 4900MHz — 5400MHz
— 5900MHz

Issue: 1714

In the effort to improve our products, we reserve the right to make changes judged to be necessary.

CONFIDENTIAL AND PROPRIETARY INFORMATION

This document contains confidential and proprietary information of Pulse Electronics, Inc. (Pulse) and is protected by copyright, trade secret and other state and federal laws. Its receipt or possession does not convey any rights to reproduce, disclose its contents, or to manufacture, use or sell anything it may describe. Reproduction, disclosure or use without specific written authorization of Pulse is strictly forbidden.



Description: 2.4/5GHz FPC antenna

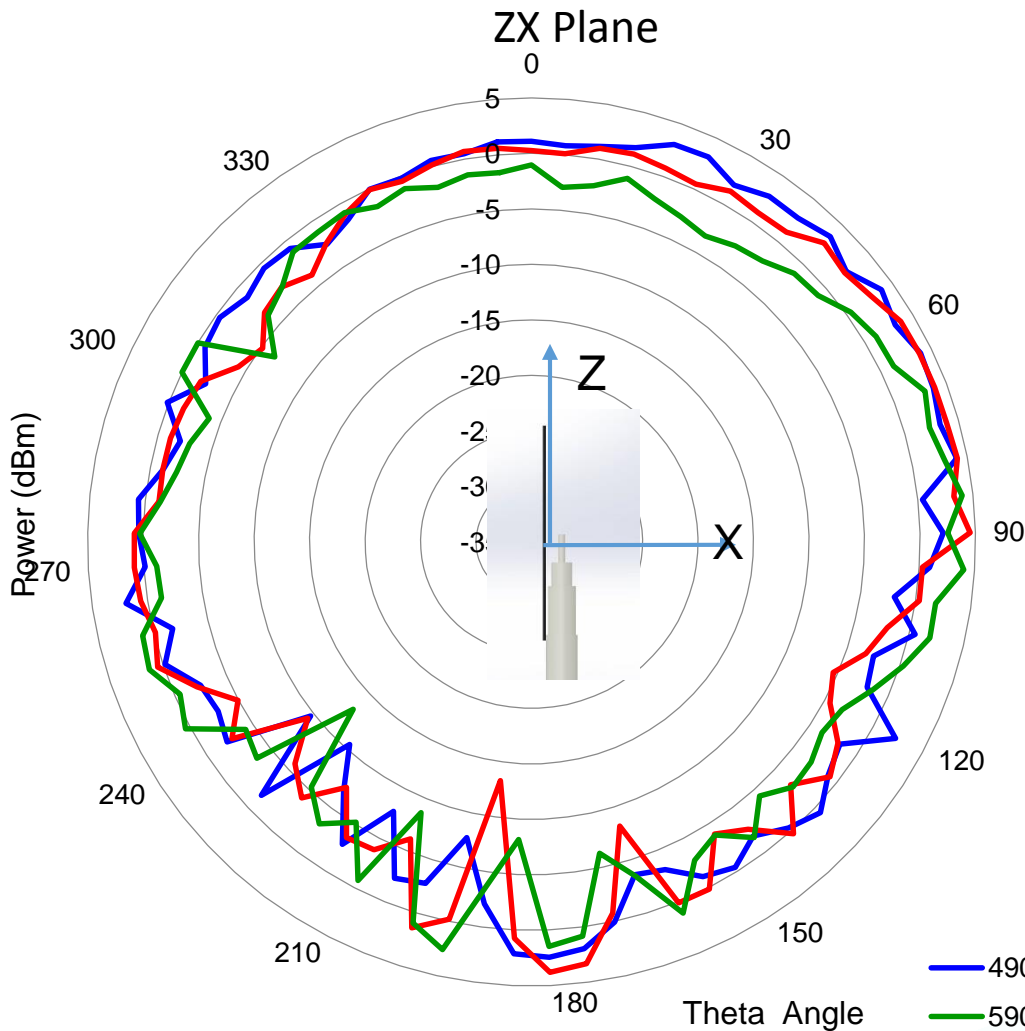
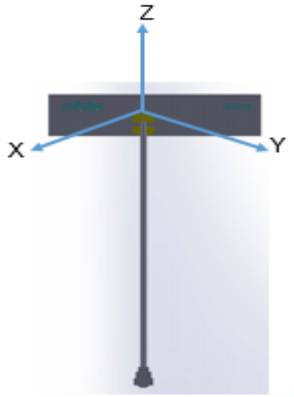
Series: Internal Antenna

PART NUMBER: W3918XXXX

CHARTS

Typical free space radiation pattern
WIFI 5GHz

(* All RF parameters measured on 2mm thick PC plate



4900MHz	Avg (dBi) = -0.44
	Peak (dBi) = 4.03
	Avg -3 (deg) = 55
5400MHz	Avg (dBi) = -1.00
	Peak (dBi) = 4.52
	Avg -3 (deg) = 27.5
5900MHz	Avg (dBi) = -1.64
	Peak (dBi) = 4.02
	Avg -3 (deg) = 40

— 4900MHz — 5400MHz
— 5900MHz

Issue: 1714

In the effort to improve our products, we reserve the right to make changes judged to be necessary.
CONFIDENTIAL AND PROPRIETARY INFORMATION

This document contains confidential and proprietary information of Pulse Electronics, Inc. (Pulse) and is protected by copyright, trade secret and other state and federal laws. Its receipt or possession does not convey any rights to reproduce, disclose its contents, or to manufacture, use or sell anything it may describe. Reproduction, disclosure or use without specific written authorization of Pulse is strictly forbidden.

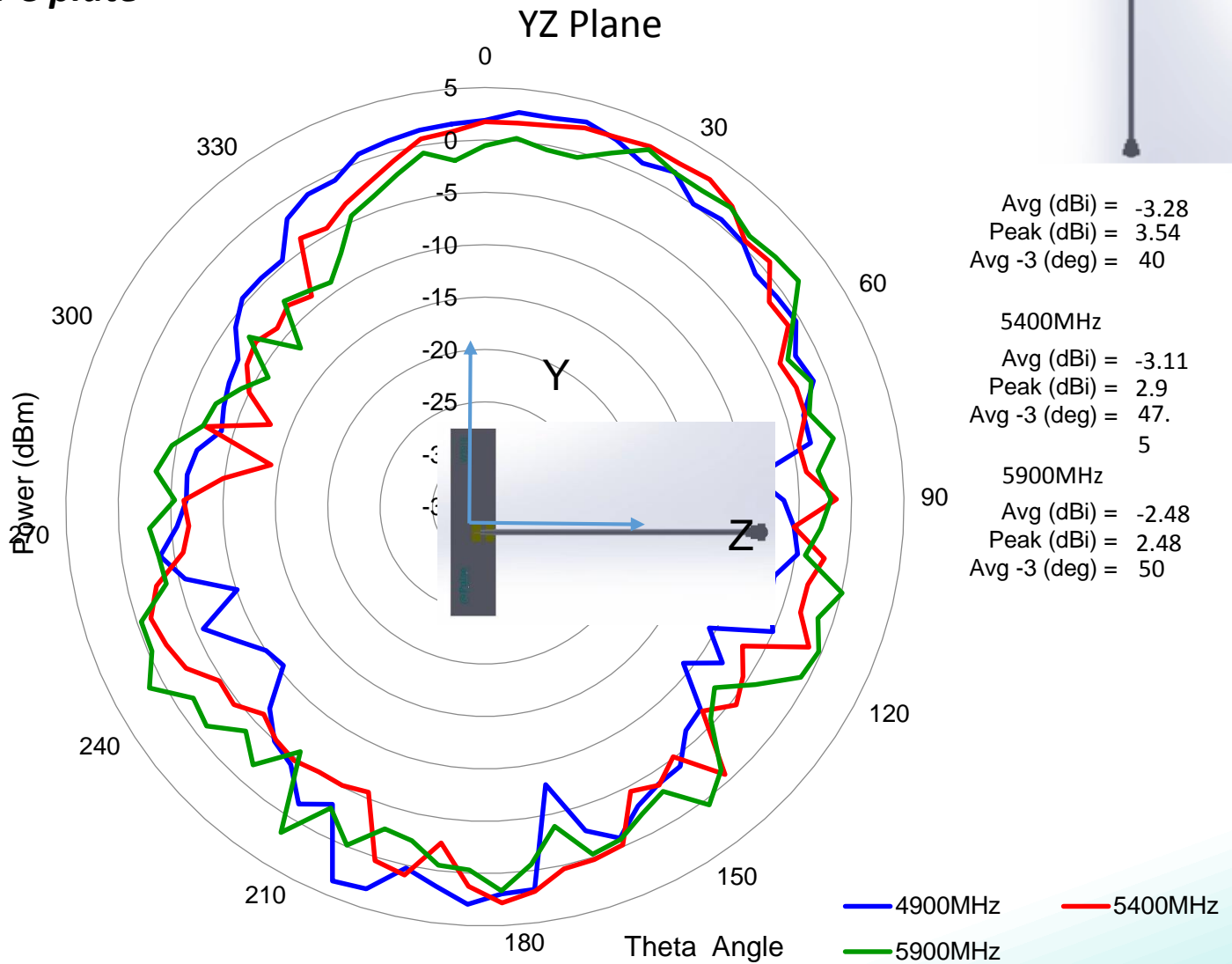
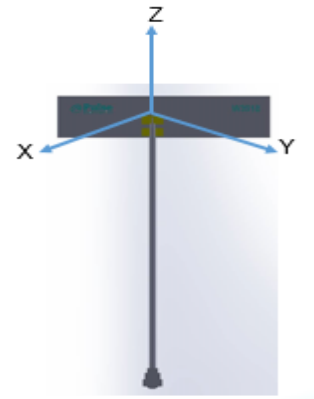
Description: 2.4/5GHz FPC antenna

Series: Internal Antenna

PART NUMBER: W3918XXXX

CHARTS

Typical free space radiation pattern
WIFI 5GHz
() All RF parameters measured on 2mm thick PC plate*



Issue: 1714

In the effort to improve our products, we reserve the right to make changes judged to be necessary.
CONFIDENTIAL AND PROPRIETARY INFORMATION

This document contains confidential and proprietary information of Pulse Electronics, Inc. (Pulse) and is protected by copyright, trade secret and other state and federal laws. Its receipt or possession does not convey any rights to reproduce, disclose its contents, or to manufacture, use or sell anything it may describe. Reproduction, disclosure or use without specific written authorization of Pulse is strictly forbidden.

