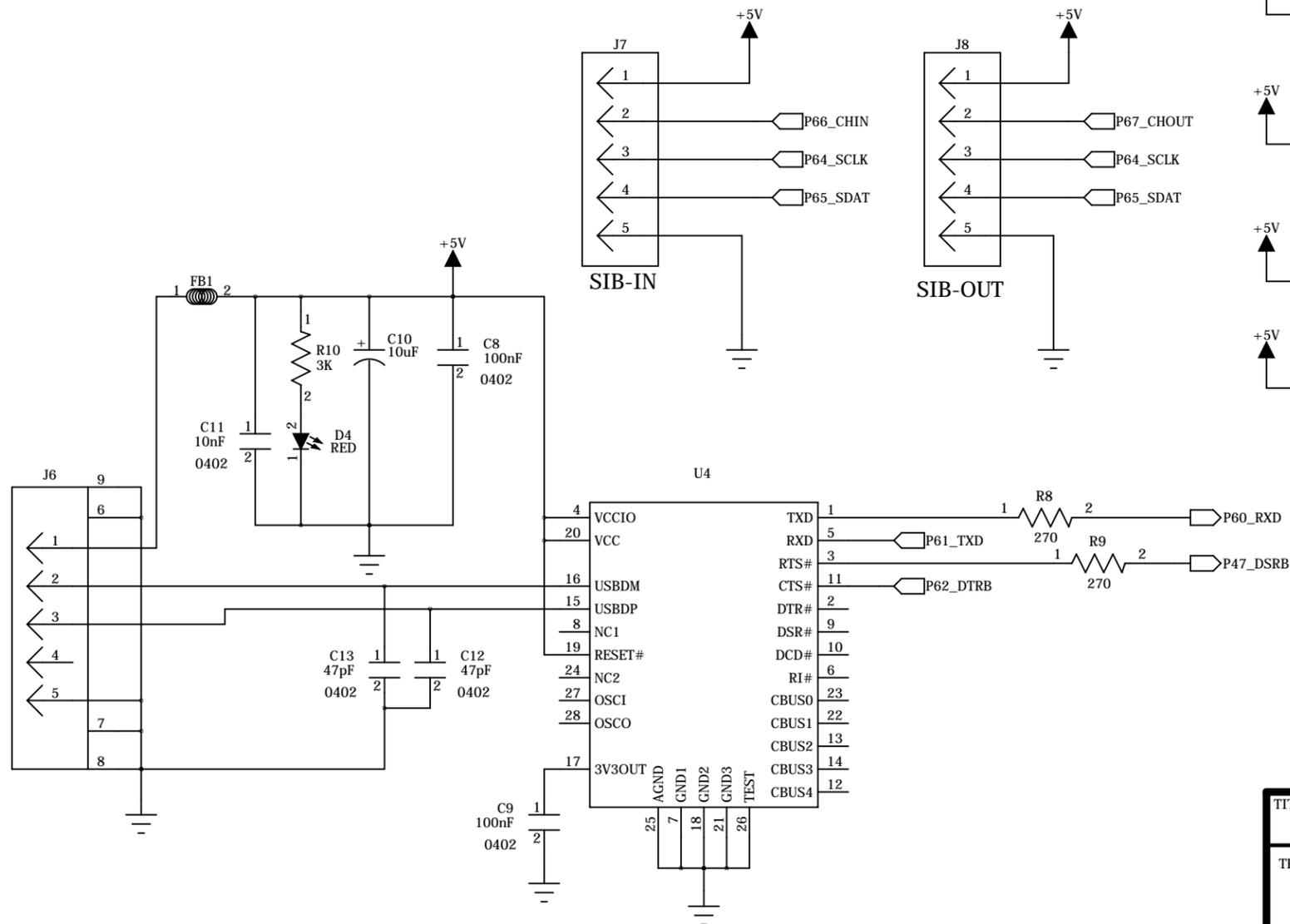
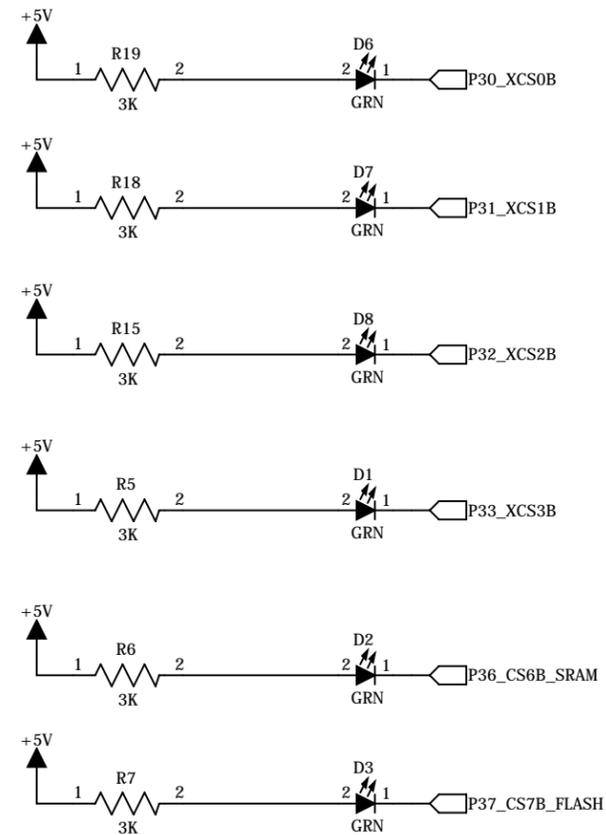
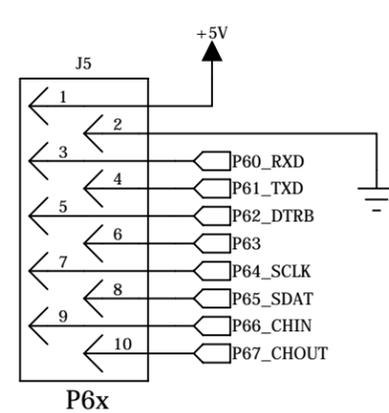
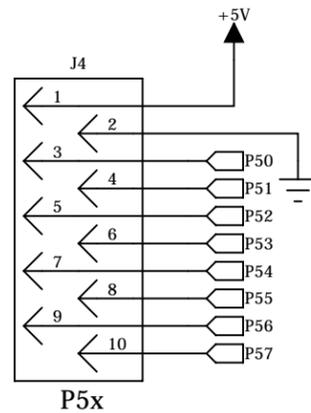
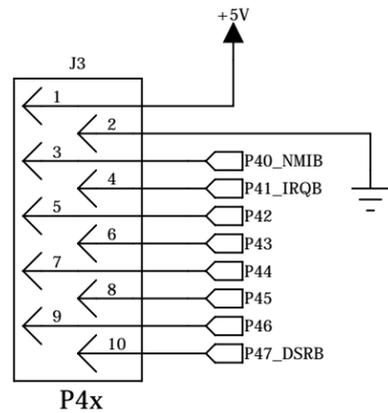
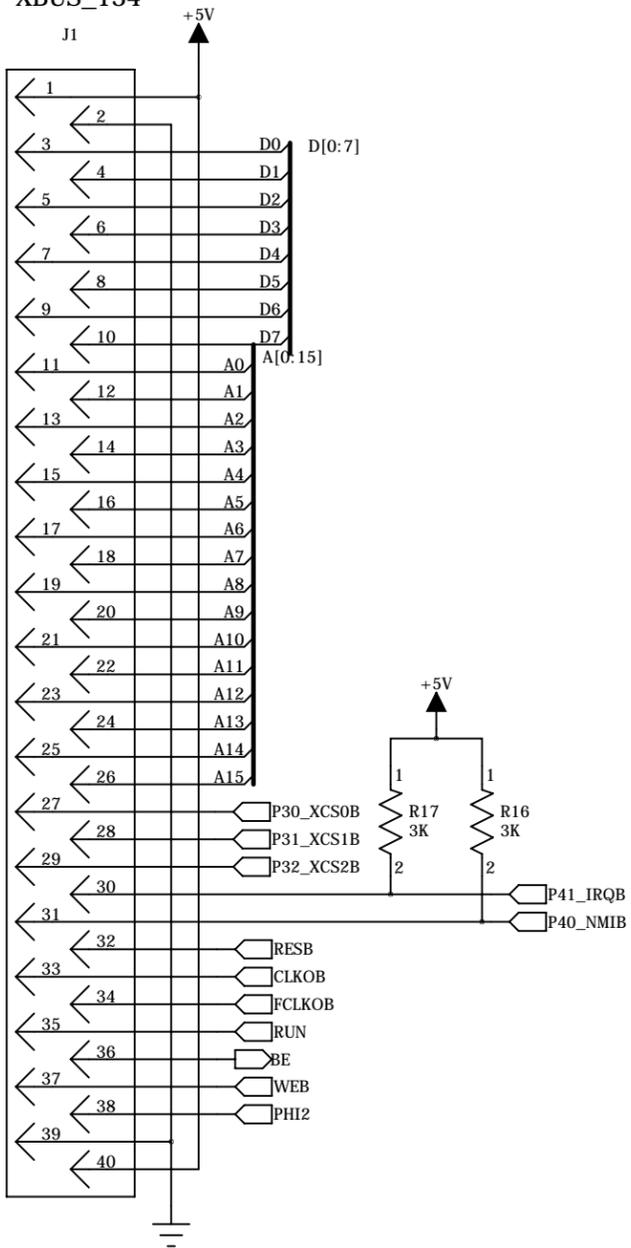


Place 100nF cap near U1.41
 Place 100nF cap near U1.1
 Place 10nF cap near U1.72/73
 Place 10nF cap near U1.23

TITLE		W65C134SXB REV C	SIZE	B
THE WESTERN DESIGN CENTER 2166 E. BROWN RD. MESA, AZ 85213 www.westerndesigncenter.com		DATE	October 04, 2013	SHEET
		SHEET DESCRIPTION	65xx	1 OF 2

XBUS_134



TITLE		W65C134SXB REV C		SIZE	B
THE WESTERN DESIGN CENTER		DATE	October 04, 2013	SHEET 2 OF 2	
2166 E. BROWN RD.		SHEET DESCRIPTION		CONNECTORS	
MESA, AZ 85213		www.westerndesigncenter.com			