



Document Wiki

Trace: • [wizwiki-w750eco](#)

- [Products](#)
 - [iMCU](#)
 - [Pre-programmed MCU](#)
 - [iEthernet](#)
 - [S2E Module](#)
 - [ioModule](#)
 - [App Module](#)
 - [Wi-Fi Module](#)
 - [Mbed WIZwiki Platform](#)
 - [WIZwiki-W7500](#)
 - [WIZwiki-W7500P](#)
 - **[WIZwiki-W7500ECO](#)**
 - [Overview](#)
 - [Features](#)
 - [Firmware](#)
 - [Getting Started](#)
 - [Make New WIZwiki-W7500ECO Projects](#)
 - [Technical Reference](#)
 - [ETC](#)
 - [See Also](#)
 - [Where to Buy](#)
 - [Shield](#)
 - [ECO Shield Ethernet](#)
 - [WIZwiki-W7500 Mbed Starter Kit](#)
 - [Open Source Hardware](#)
 - [Design Guide](#)
 - [VAR Products using WIZnet](#)

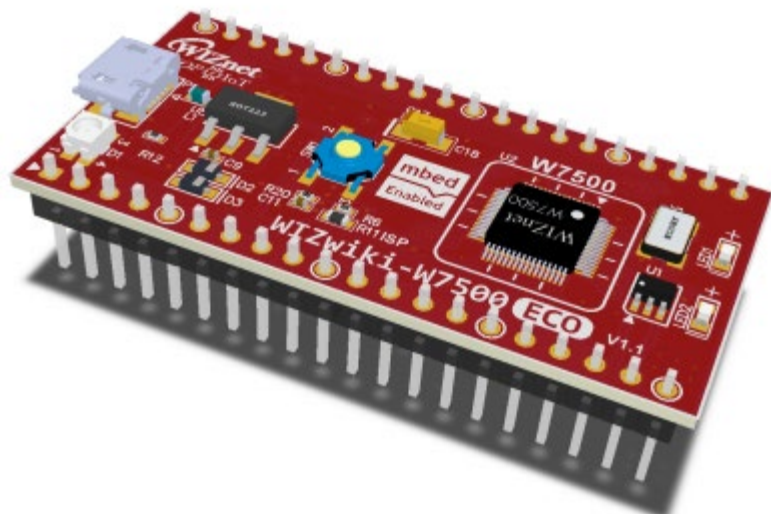


products:wizwiki-w750eco:start

Table of Contents

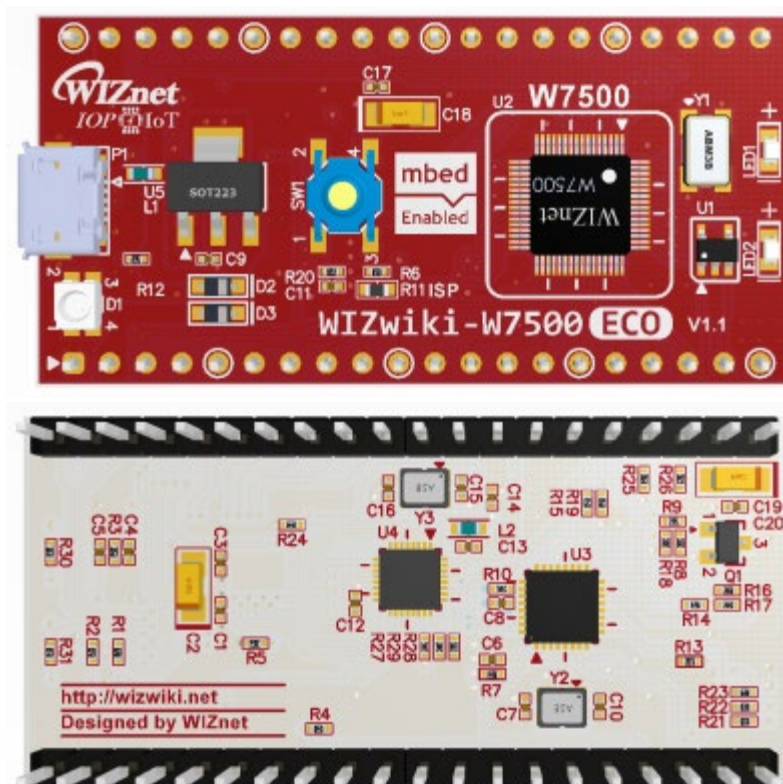
- ◆ [WIZwiki-W7500ECO](#)
 - ◆ [WIZwiki Platform](#)
 - ◆ [Features](#)
 - ◆ [Firmware](#)
 - ◆ [Getting Started](#)
 - ◆ [Make New WIZwiki-W7500ECO Projects](#)
 - ◆ [Technical Reference](#)
 - ◆ [Etc.](#)
 - ◆ [See Also](#)
 - ◆ [Where to Buy](#)

WIZwiki-W7500ECO



WIZwiki Platform

WIZnet WIZwiki-W7500ECO is a WIZwiki platform board based on W7500. The IOP4IoT W7500 chip is one-chip solution which integrates an ARM Cortex-M0, 128KB Flash and hardwired TCP/IP core for various embedded application platform especially internet of things. You can develop prototype product more quickly using WIZwiki-W7500ECO and it includes CMSIS-DAP for debugging and ethernet-phy.



Features

WIZnet W7500

- ARM Cortex-M0 Core
- 48MHz, 128KB Flash
- 16KB RAM
- 32KB RAM for TCP/IP - Can be extended to system RAM
- Hardwired TCP/IP Core
- MII Interface
- ADC (8)
- GPIO (53)
- SWD (Serial Wire Debug)
- Timer/PWM
- UART (3)
- SPI (2)
- I2C (2)

External Ethernet PHY

- IC+ IP101GRI
- Single Port 10/100 MII/RMII/TP/Fiber Fast Ethernet Transceiver
- Auto MDI/MDIX function
- Supports MDC and MDIO to communicate with the MAC

CMSIS-DAP

- LPC11U35FHI33/501, ARM Cortex-M0 Core, NXP
- Drag-n-drop programming
- USB Serial Port
- Easy to use C/C++ SDK

Connector

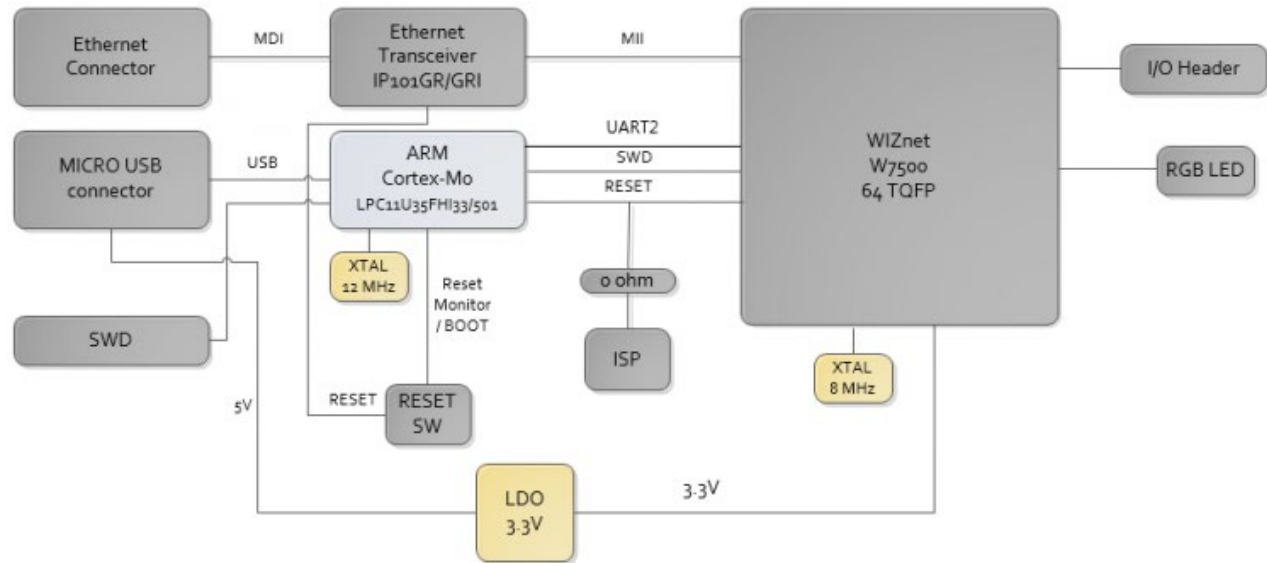
- Micro USB
- Slim Size RJ45(with transformer)
- GPIO Header

ETC

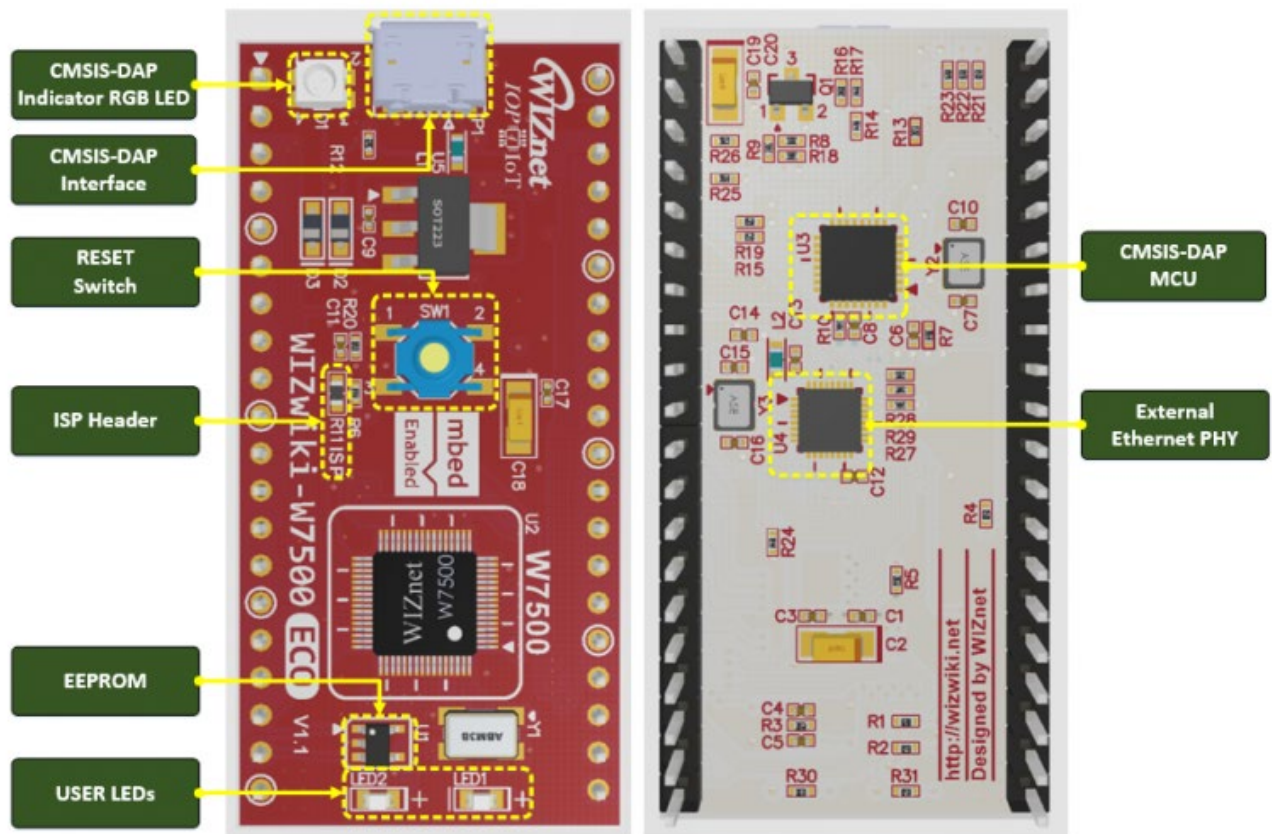
- Power source - micro USB or external 5V pin
- 1 RESET SW.
- RGB LED for CMSIS-DAP
- 2 Blue LED for USER
- 2 2.54mm 1×20 External connector

WIZwiki-W7500ECO Blockdiagram

WIZwiki-W7500ECO Blockdiagram



WIZwiki-W7500ECO Callout



WIZwiki-W7500ECO Detail Pinout

W7500 Library

- [W7500 Library PAGE](#)
-

Getting Started

- [How to start WIZwiki-W7500ECO Board](#)
 - [How to install WIZwiki-W7500ECO serial driver](#)
 - [How to write the firmware into WIZwiki-W7500ECO](#)
 - [How to debug Wizwiki-W7500ECO](#)
 - [How to write the firmware into CMSIS-DAP](#)
-

Make New WIZwiki-W7500ECO Projects

- [How to install KEIL uVision5](#)
 - [How to create KEIL uVision5 new project for W7500](#)
 - [How to use MDK for W7500 Peripherals Examples](#)
 - [How to use gcc for W7500 Peripherals Examples](#)
-

Technical Reference

Datasheet

- [!\[\]\(c33cb967c8fc4f5e27188a389b621c8e_img.jpg\) W7500 Documents](#)
- [!\[\]\(38e1383487ca0f0e9e2c9378b9dbcae7_img.jpg\) IP101GRI Datasheet](#)
- [!\[\]\(d399648641177ccf0f777d76c74f84ed_img.jpg\) LPC11U35FHI33/501 Datasheet](#)

Schematic

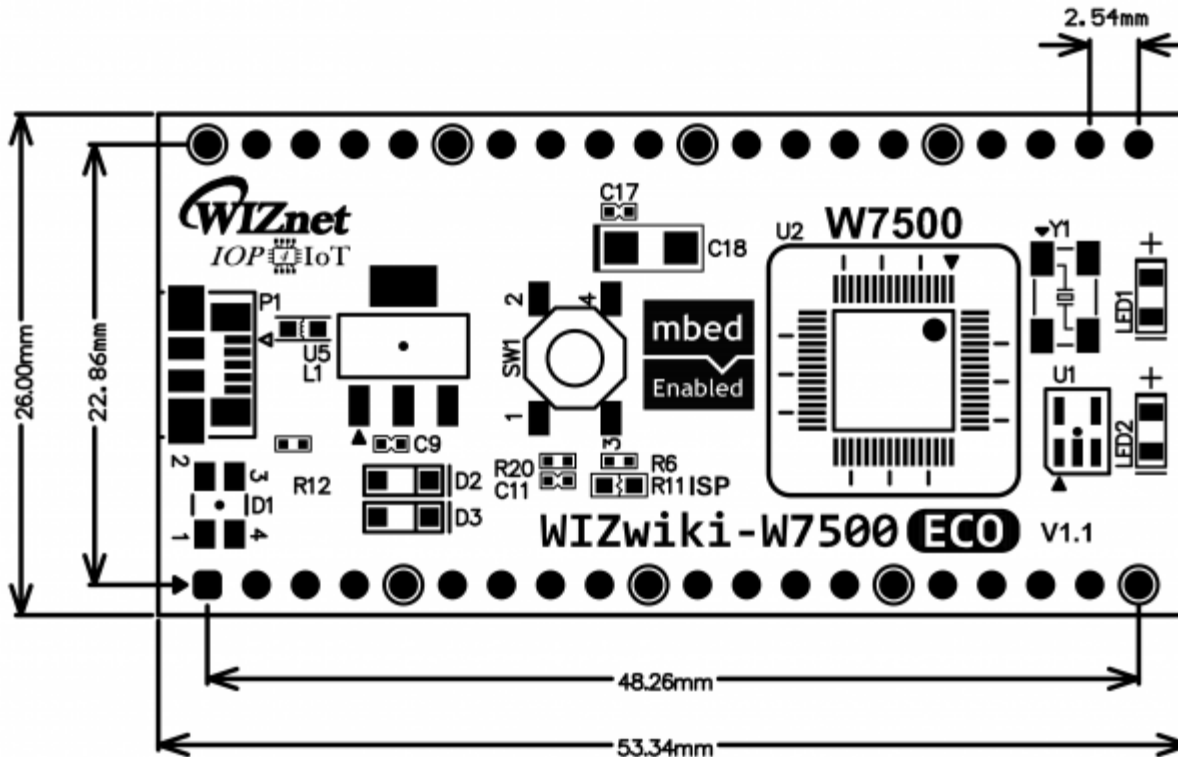
- **Schematic Version 1.1**
- [!\[\]\(c580b67c7cd5c9e9e19f04ff6d5093e0_img.jpg\) WIZwiki-W7500eco V1.1 Schematic \(Altium Designer\)](#)
- [!\[\]\(81f7c93ea32d9f7160f5d63859611838_img.jpg\) WIZwiki-W7500eco V1.1 Schematic \(PDF\)](#)

Part list

- [!\[\]\(e615ca91639aee4263e67e1cc9ac86eb_img.jpg\) WIZwiki-W7500eco V1.1 BOM \(PDF\)](#)

Dimension

- [WIZwiki-W7500ECO V1.1 Dimension](#)



Etc.

Serial Port Driver

- [ARM mbed Window serial configuration PAGE](#)

W7500 ISP Program

- [Go to ISP tool manual & Program download](#)

Examples Binary

- [WIZwiki-W7500ECO Examples Binary](#)

See Also

- [WizWiki Forum](#) : WIZnet Forum for Technical support and Project shared
- [W7500 Documents Download](#)

Where to Buy

