

# WLS15 LED Strip Light



## Quick Start Guide

This guide is designed to help you set up and install the WLS15 LED Strip Light. For complete information on programming, performance, troubleshooting, dimensions, and accessories, please refer to the Instruction Manual at [www.bannerengineering.com](http://www.bannerengineering.com). Search for p/n 197493 to view the Instruction Manual. Use of this document assumes familiarity with pertinent industry standards and practices.



For PWM dimming, use with the LC65P2T 2-wire dimmer module. For more information, refer to the LC65 LED Dimmer Module datasheet, p/n 177086. This module can only be used with the single color models.



**Important:** Read the following instructions before operating the light. Please download the complete WLS15 LED Strip Light technical documentation, available in multiple languages, from [www.bannerengineering.com](http://www.bannerengineering.com) for details on the proper use, applications, Warnings, and installation instructions of this device.

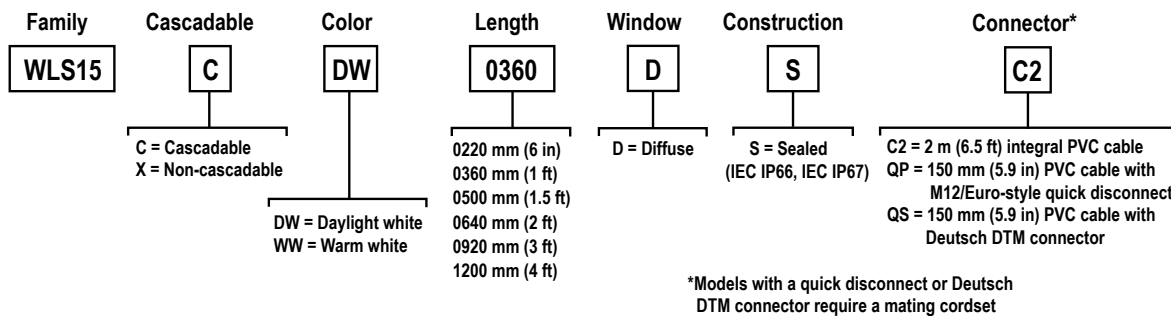


**Important:** Lea el siguiente instructivo antes de operar el luminario. Por favor descargue desde [www.bannerengineering.com](http://www.bannerengineering.com) toda la documentación técnica de los WLS15 LED Strip Light, disponibles en múltiples idiomas, para detalles del uso adecuado, aplicaciones, advertencias, y las instrucciones de instalación de estos dispositivos.

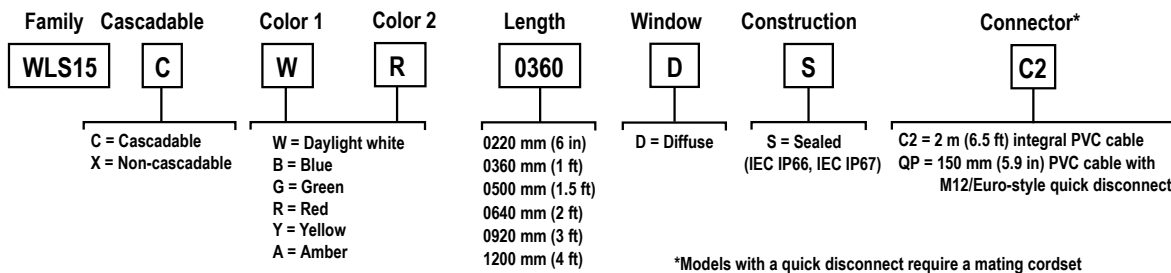


**Important:** Lisez les instructions suivantes avant d'utiliser le luminaire. Veuillez télécharger la documentation technique complète des WLS15 LED Strip Light sur notre site [www.bannerengineering.com](http://www.bannerengineering.com) pour les détails sur leur utilisation correcte, les applications, les notes de sécurité et les instructions de montage.

## Single Color Models



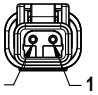
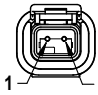
## Dual Color Models



## Wiring Diagrams

QP Models					
Male	Female	Pin	Wire Color	Single Color Models	Dual Color Models
		1	brown	12 V dc or 24 V dc	Color 1: 12 V dc or 24 V dc
		3	blue	dc common	dc common
		4	black	Not used	Color 2: 12 V dc or 24 V dc (color 2 overrides color 1)
		2	white	Not used	Not used



QS Models: Single Color Models Only				
Male	Female	Pin	Wire Color	Connection
		1	brown	12 V dc or 24 V dc
		2	blue	dc common

## Specifications

### Supply Protection Circuitry

Protected against reverse polarity and transient voltages

### Supply Voltage

12 V DC or 24 V DC nominal  
 Absolute operational limits of 10 V DC to 15 V DC and 20 V DC to 27 V DC  
 Use only with a suitable Class 2 power supply (UL) or a SELV power supply (CE)  
 Single Color Light Models can be PWM dimmed between 25% to 100% with a frequency up to 1000 Hz  
 See electrical characteristics on product label

### Spacing Criterion

Vertical: 1.26  
 Horizontal: 1.26

### Supply Current

Light Length	Typical Current (A) at 25°C <sup>1</sup>		Max. Current (A) at -40°C	
	12 V DC	24 V DC	12 V DC	24 V DC
0220 mm	0.19	0.10	0.24	0.12
0360 mm	0.38	0.20	0.48	0.24
0500 mm	0.57	0.30	0.72	0.36
0640 mm	0.76	0.40	0.96	0.48
0920 mm	1.14	0.60	1.44	0.72
1200 mm	1.52	0.80	1.92	0.96

### Operating Temperature

-40 °C to +60 °C (-40 °F to +140 °F)

### Storage Temperature

-40 °C to +70 °C (-40 °F to +158 °F)

### Environmental Rating

Rated IEC IP66 and IEC IP67  
 Suitable for wet locations per UL 2108

### Vibration and Mechanical Shock

Vibration: 10 Hz to 55 Hz, 1.0 mm peak-to-peak amplitude per IEC 60068-2-6  
 Shock: 15G 11 ms duration, half sine wave per IEC 60068-2-27

### Construction

Clear anodized aluminum housing; Polycarbonate outer housing, Polyamide end caps

### Application Note

When connecting cascadable lights in series, it is important not to exceed maximum current limitations:

- Maximum length of light at 12 V DC: 2.4 m (7.9 ft)
- Maximum length of light at 24 V DC: 6 m (19.7 ft)

### Mounting

Integral mounting slots for M4 (#8) screws, tighten to 5 in-lbf max torque  
 Multiple bracket options available  
 Secure cables within 150 mm (5.9 inches) of the light

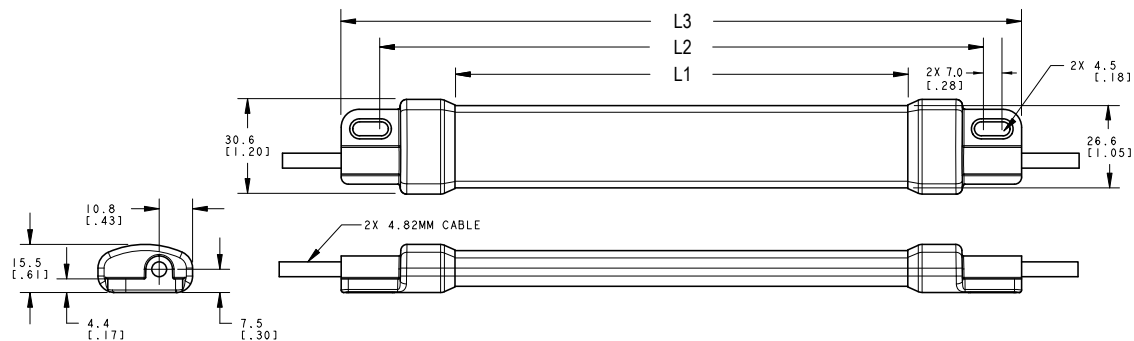
### Certifications



### Connections

2 m (6.5 ft) integral PVC cable, 150 mm (6 in) PVC cable with a 4-pin M12/Euro-style male quick disconnect, or 150 mm (5.9 in) 2-pin Deutsch DTM series sealed cable; models with a quick disconnect or Deutsch DTM connector require a mating cordset  
 Do not spray cable with high-pressure sprayer or cable damage will result.

## Dimensions



Models	L1	L2	L3
WLS15..0220..	146.4 mm (5.76 inches)	194 mm (7.64 inches)	220 mm (8.66 inches)
WLS15..0360..	286.4 mm (11.28 inches)	334 mm (13.15 inches)	360 mm (14.17 inches)
WLS15..0500..	426.4 mm (16.79 inches)	474 mm (18.66 inches)	500 mm (19.69 inches)
WLS15..0640..	566.4 mm (22.3 inches)	614 mm (24.17 inches)	640 mm (25.2 inches)
WLS15..0920..	846.4 mm (33.32 inches)	894 mm (35.2 inches)	920 mm (36.22 inches)
WLS15..1200..	1126.4 mm (44.35 inches)	1174 mm (46.22 inches)	1200 mm (47.24 inches)

<sup>1</sup> Values shown at 25°C - current and lumen values decrease 0.4% per 1°C from ambient. For example, a 1200 mm unit will have a maximum current of 1.92 A at -40°C and 1.33 A at +60°C.