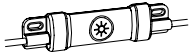


WLS15 High Intensity LED Strip Light



Quick Start Guide

This guide is designed to help you set up and install the WLS15 High Intensity LED Strip Light. For complete information on programming, performance, troubleshooting, dimensions, and accessories, please refer to the Instruction Manual at www.bannerengineering.com. Search for p/n 218326 to view the Instruction Manual. Use of this document assumes familiarity with pertinent industry standards and practices.



For PWM dimming, use with the LC15T-127AP2RBGQP dimmer module. For more information, refer to the LC15T In-Line Touch Switch datasheet, p/n [217460](#).



Important: Read the following instructions before operating the light. Please download the complete WLS15 High Intensity LED Strip Light technical documentation, available in multiple languages, from www.bannerengineering.com for details on the proper use, applications, Warnings, and installation instructions of this device.

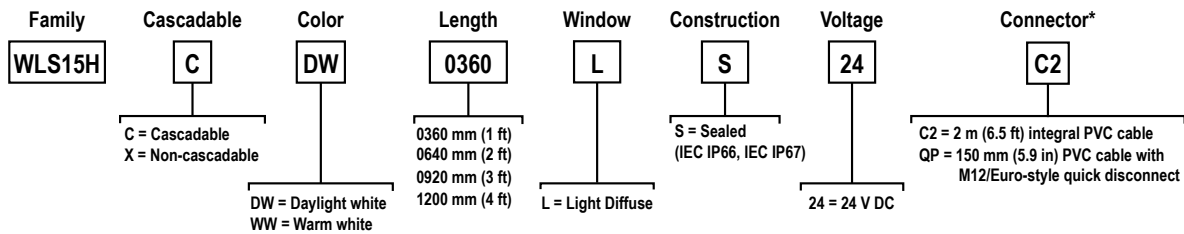


Important: Lea el siguiente instructivo antes de operar el luminario. Por favor descargue desde www.bannerengineering.com toda la documentación técnica de los WLS15 High Intensity LED Strip Light, disponibles en múltiples idiomas, para detalles del uso adecuado, aplicaciones, advertencias, y las instrucciones de instalación de estos dispositivos.



Important: Lisez les instructions suivantes avant d'utiliser le luminaire. Veuillez télécharger la documentation technique complète des WLS15 High Intensity LED Strip Light sur notre site www.bannerengineering.com pour les détails sur leur utilisation correcte, les applications, les notes de sécurité et les instructions de montage.

Models



*Models with a quick disconnect require a mating cordset

Wiring

Pinout (Male)	Pinout (Female)	Pin	Wire Color	Connection
		1	brown	24 V DC
		3	blue	DC common
		4	black	Connect to 24 V DC for 50% of maximum intensity. For 100% maximum intensity, leave the black wire floating or connected to common
		2	white	Not used



Specifications

Supply Protection Circuitry

Protected against reverse polarity and transient voltages
See electrical characteristics on product label

Supply Voltage

24 V DC (+20%/-10%)
Use only with a suitable Class 2 power supply (UL) or a SELV power supply (CE)

Spacing Criterion

Vertical: 1.26
Horizontal: 1.26

Supply Current

Light Length	Typical Current (A) at 25°C ¹	Max. Current (A) at -40°C
0360 mm	0.285	0.360
0640 mm	0.570	0.720
0920 mm	0.855	1.080
1200 mm	1.140	1.440

Operating Temperature

-40 °C to +50 °C (-40 °F to +122 °F)

Storage Temperature

-40 °C to +70 °C (-40 °F to +158 °F)

Environmental Rating

Rated IEC IP66 and IEC IP67
Suitable for wet locations per UL 2108

Vibration and Mechanical Shock

Vibration: 10 Hz to 55 Hz, 1.0 mm peak-to-peak amplitude per IEC 60068-2-6
Shock: 15G 11 ms duration, half sine wave per IEC 60068-2-27

Construction

Clear anodized aluminum housing; Polycarbonate outer housing, Polyamide end caps

Application Note

When connecting cascable lights in series, it is important not to exceed maximum current limitations:

- Maximum length of light at 24 V DC: 3.0 m (9.8 ft)
- At 50% intensity, double the lengths

Connections

2 m (6.5 ft) integral PVC cable or 150 mm (6 in) PVC cable with a 4-pin M12/ Euro-style male quick disconnect
Models with a quick disconnect require a mating cordset
Do not spray cable with high-pressure sprayer or cable damage will result.

Certifications



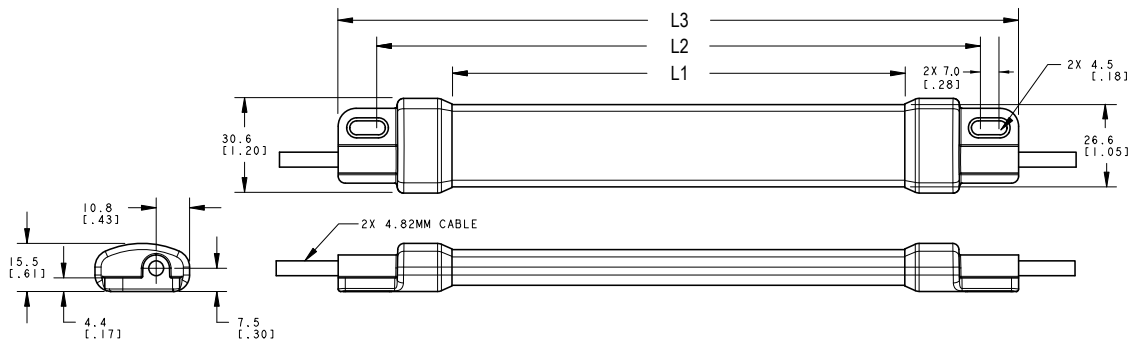
Mounting

Integral mounting slots for M4 (#8) screws, tighten to 5 in-lbf max torque
Multiple bracket options available
Secure cables within 150 mm (5.9 inches) of the light



Note: For 920 mm and 1200 mm models in environments that vary more than 10 °C (18 °F), it is recommended to use one of the mounting bracket options instead of the endcap slots. If using the LMBWLS15 clip bracket and additional attachment is desired, only one end may be fastened using one of the spacers provided in the LMBWLS15 hardware packet to allow the opposite end to expand and contract. See mounting options in the instruction manual for bracket and tape options that allow expansion and contraction over temperature variations.

Dimensions



Models	L1	L2	L3
WLS15..0360..	286.4 mm (11.28 inches)	334 mm (13.15 inches)	360 mm (14.17 inches)
WLS15..0640..	566.4 mm (22.3 inches)	614 mm (24.17 inches)	640 mm (25.2 inches)
WLS15..0920..	846.4 mm (33.32 inches)	894 mm (35.2 inches)	920 mm (36.22 inches)
WLS15..1200..	1126.4 mm (44.35 inches)	1174 mm (46.22 inches)	1200 mm (47.24 inches)

¹ Values shown at 25°C - current and lumen values decrease 0.4% per 1°C from ambient. For example, a 1200 mm unit will have a maximum current of 1.440 A at -40°C and 1.026 A at +50°C.