

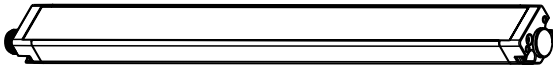
# EZ-STATUS® WLS28-2 Multicolor LED Strip Light



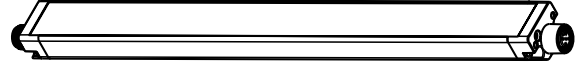
## Datasheet

Banner's WLS28-2 Multicolor LED Strip Lights have sturdy aluminum housings, shatterproof windows, and environmental ratings that make it ideal for harsh indoor and outdoor applications.

- EZ-STATUS combines lighting and indication in one device to illuminate an area or machine, and show status change
- Models with 3 or 5 colors available, all with only 3 inputs
- Four available lengths from 285 mm to 1130 mm
- Daisy chain power to multiple lights



Stand-Alone Light or End Light in a Cascade



First or Middle of a Cascade

Available as stand-alone models, or as cascade models that can be daisy-chained together for a continuous length of lighting, with a minimum of wiring.

Stand-alone models have a male quick disconnect at one end for power connection and no connections at the opposite end. A stand-alone model may be used as the last model in the cascade series.

Cascade models have a male quick disconnect at one end for power connection, and a female quick disconnect at the opposite end for connecting to other lights in the cascade. A double-ended accessory cordset must be used between each pair of lights in a cascade.

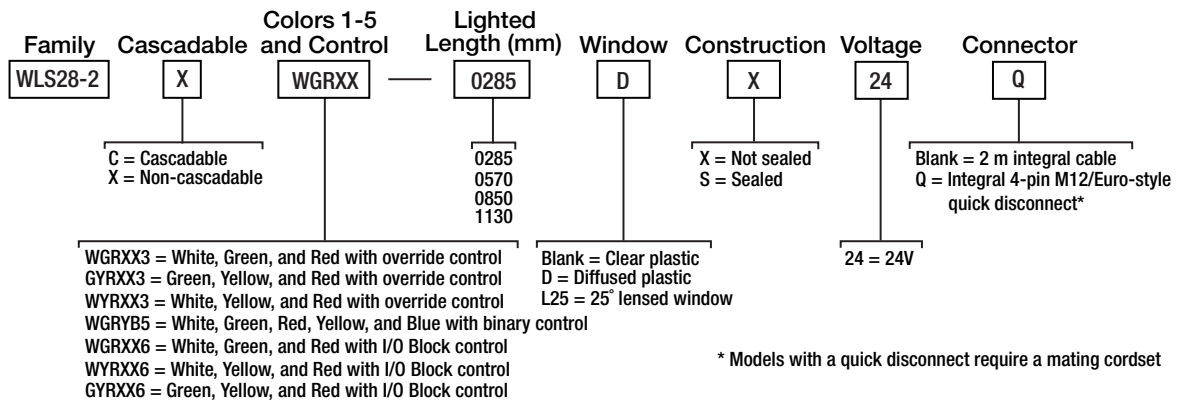


**Important:** Lea el siguiente instructivo antes de operar el luminario. Por favor descargue desde [www.bannerengineering.com](http://www.bannerengineering.com) toda la documentación técnica de los EZ-STATUS® WLS28-2 Multicolor LED Strip Light, disponibles en múltiples idiomas, para detalles del uso adecuado, aplicaciones, advertencias, y las instrucciones de instalación de estos dispositivos.

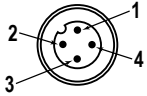
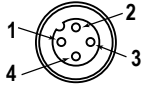


**Important:** Lisez les instructions suivantes avant d'utiliser le luminaire. Veuillez télécharger la documentation technique complète des EZ-STATUS® WLS28-2 Multicolor LED Strip Light sur notre site [www.bannerengineering.com](http://www.bannerengineering.com) pour les détails sur leur utilisation correcte, les applications, les notes de sécurité et les instructions de montage.

## Models



## Wiring Diagrams

Male	Female	Pin	Wire Color	Description
		1	Brown	Input 1
		2	White	Input 3
		3	Blue	dc common
		4	Black	Input 2

3 Color Override Control ( <i>Color 3 overrides Colors 1 and 2, Color 2 overrides Color 1</i> )				5 Color Binary Control ( <i>Binary input state controls color</i> )			
Input 1: Pin 1 Brown Wire	Input 2: Pin 4 Black Wire	Input 3: Pin 2 White Wire	LED Color	Input 1: Pin 1 Brown Wire	Input 2: Pin 4 Black Wire	Input 3: Pin 2 White Wire	LED Color
—	—	—	Light OFF	—	—	—	Light OFF
+24 V dc	—	—	Color 1 ON	+24 V dc	—	—	Color 1 ON
—	+24 V dc	—	Color 2 ON	—	+24 V dc	—	Color 2 ON
+24 V dc	+24 V dc	—	Color 2 ON	—	—	+24 V dc	Color 3 ON
—	—	+24 V dc	Color 3 ON	+24 V dc	+24 V dc	—	Color 4 ON
+24 V dc	—	+24 V dc	Color 3 ON	+24 V dc	—	+24 V dc	Color 5 ON
—	+24 V dc	+24 V dc	Color 3 ON	—	+24 V dc	+24 V dc	Light OFF
+24 V dc	+24 V dc	+24 V dc	Color 3 ON	+24 V dc	+24 V dc	+24 V dc	Light OFF

3 Color I/O Block Control ( <i>Input 1 is always ON through the block</i> )			
Input 1: Pin 1 Brown Wire	Input 2: Pin 4 Black Wire	Input 3: Pin 2 White Wire	LED Color
+24 V dc	—	—	Light OFF
+24 V dc	+24 V dc	—	Color 1 ON
+24 V dc	—	+24 V dc	Color 2 ON
+24 V dc	+24 V dc	+24 V dc	Color 3 ON

## Specifications

**Supply Protection Circuitry**

Protected against reverse polarity and transient voltages

**Supply Voltage**

24 V dc (+ 20% / - 10%)

Use only with suitable Class 2 power supply (UL) or a SELV power supply (CE)

See electrical characteristics on product label

Lighted Length	Typical Current (A) at 25° C <sup>1</sup>	Maximum Current (A)
285 mm	0.315	0.400
570 mm	0.630	0.800
850 mm	0.945	1.200
1130 mm	1.260	1.600

**Leakage Current Immunity**

400 µA

**LED Lifetime**Lumen Maintenance - L<sub>70</sub>

When operating within specifications, output decreases less than 30% after 50,000 hours

**Mounting**

2 SMBWLS28RA swivel brackets and 4 screws included

**Connections**

Integral 4-pin M12/Euro-style male quick disconnect

**Construction**

Clear anodized aluminum housing; painted zinc end caps; polycarbonate window on clear and diffuse plastic models; acrylic window on L25 models; zinc plated steel brackets

<sup>1</sup> Values shown at 25 °C - current and lumen values decrease 0.4% per 1 °C from ambient. For example, a 1130 mm unit will have a maximum current of 1.600 A at -40 °C and 1.134 A at +50 °C.

**Light Characteristics**

Daylight White Efficacy: 85 lumens/watt typical at 24 V dc at 25 °C (77 °F)  
 CRI: 80, minimum

Color	Dominant Wavelength (nm) or Color Temperature	Lighted Length Lumens (Typical at 25 °C) <sup>2</sup>			
		285 mm	570 mm	850 mm	1130 mm
Green	525 nm	400	800	1200	1600
Red	625 nm	185	370	555	740
Yellow	580 nm	570	1140	1710	2280
Blue	470 nm	125	250	375	500
Daylight White	5000 K (±300 K)	650	1300	1950	2600

**Environmental Rating**

Non-sealed models: IEC IP50  
 Sealed models: IEC IP65, IEC IP67, IP69K per DIN 40050-9

**Vibration and Mechanical Shock**

Vibration: 10 Hz to 55 Hz, 1.0 mm peak-to-peak amplitude per IEC 60068-2-6  
 Shock: 15G 11 ms duration, half sine wave per IEC 60068-2-27

**Operating Temperature**

-40 °C to +50 °C (-40 °F to +122 °F)  
**Storage Temperature:** -40 °C to +70 °C (-40 °F to +158 °F)

**Application Notes**

When connecting cascadable lights in series it is important not to exceed maximum current limitations:

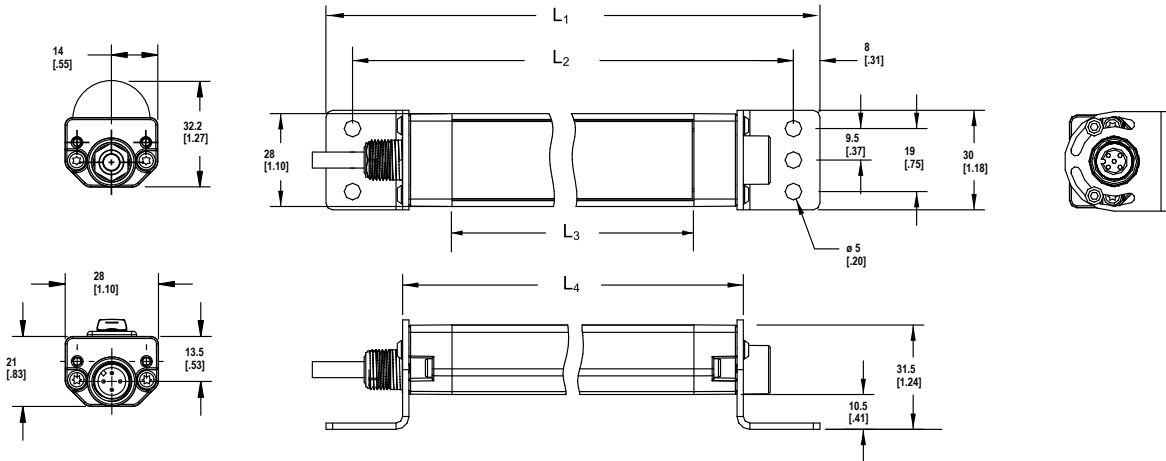
Maximum length of light at 24 V dc: 3.0 m (9.8 ft)

Do not spray cable with high-pressure sprayer, or cable damage will result

**Certifications**



**Dimensions**



Dimensions are shown with the included SMBWLS28RA brackets.

IP50 Models	IP67/IP69K Models	L <sub>1</sub>	L <sub>2</sub>	L <sub>3</sub>	L <sub>4</sub>
WLS28-2..0285	WLS28-2..285S	362 mm (14.3 in)	346 mm (13.6 in)	286 mm (11.26 in)	316 mm (12.4 in)
WLS28-2..0570	WLS28-2..570S	644 mm (25.4 in)	628 mm (24.7 in)	568 mm (22.36 in)	598 mm (23.5 in)
WLS28-2..0850	WLS28-2..850S	926 mm (36.5 in)	910 mm (35.8 in)	850 mm (33.46 in)	880 mm (34.6 in)
WLS28-2..1130X	WLS28-2..1130S	1208 mm (47.6 in)	1192 mm (46.9 in)	1132 mm (44.57 in)	1162 mm (45.7 in)

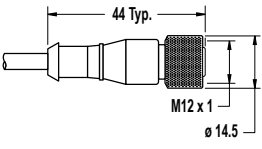
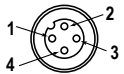
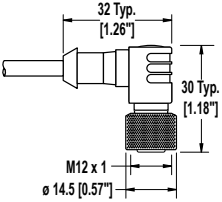
All measurements are listed in millimeters [inches], unless noted otherwise.

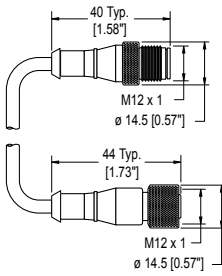
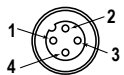
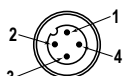
**Accessories**

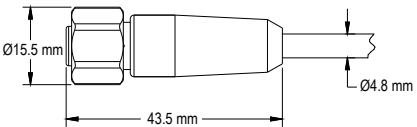

**Cordsets**

Use single-ended cordsets between the power source and the quick disconnect connection of a stand-alone light or the first light in a cascade. Use double-ended cordsets between lights in a cascade.

<sup>2</sup> Values shown at 25 °C - current and lumen values decrease 0.4% per 1 °C from ambient. For example, a 1130 mm unit will have a maximum current of 1.600 A at -40 °C and 1.134 A at +50 °C.

4-Pin Threaded M12/Euro-Style Cordsets—Single Ended				
Model	Length	Style	Dimensions	Pinout (Female)
MQDC-406	1.83 m (6 ft)	Straight		 <p>1 = Brown 2 = White 3 = Blue 4 = Black</p>
MQDC-415	4.57 m (15 ft)			
MQDC-430	9.14 m (30 ft)			
MQDC-450	15.2 m (50 ft)			
MQDC-406RA	1.83 m (6 ft)	Right-Angle		
MQDC-415RA	4.57 m (15 ft)			
MQDC-430RA	9.14 m (30 ft)			
MQDC-450RA	15.2 m (50 ft)			

4-Pin Threaded M12/Euro-Style Cordsets—Double Ended				
Model	Length	Style	Dimensions	Pinout
MQDEC-401SS	0.31 m (1 ft)	Male Straight/ Female Straight		Female
MQDEC-403SS	0.91 m (3 ft)			
MQDEC-406SS	1.83 m (6 ft)			Male
MQDEC-412SS	3.66 m (12 ft)			
MQDEC-420SS	6.10 m (20 ft)			<p>1 = Brown 2 = White 3 = Blue 4 = Black</p>
MQDEC-430SS	9.14 m (30 ft)			
MQDEC-450SS	15.2 m (50 ft)			

4-Pin Threaded M12/Euro-Style Cordsets—Washdown, Stainless Steel, Single Ended				
Model	Length	Style	Dimensions	Pinout (Female)
MQDC-WDSS-0406	1.83 m (6 ft)	Straight		 <p>1 = Brown 2 = White 3 = Blue 4 = Black</p>
MQDC-WDSS-0415	4.57 m (15 ft)			
MQDC-WDSS-0430	9.14 m (30 ft)			

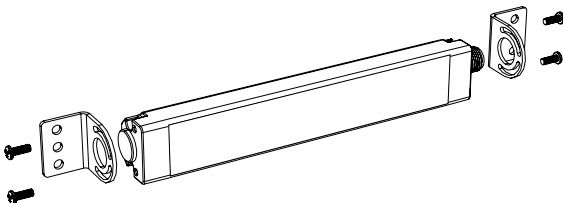
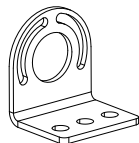
4-Pin Threaded M12/Euro-Style Cordsets—Double Ended, Washdown, Stainless Steel				
Model	Length	Style	Dimensions	Pinout
MQDEC-WDSS-401SS	0.3 m (1 ft)	Male Straight/ Female Straight		Female
MQDEC-WDSS-403SS	0.91 m (3 ft)			
MQDEC-WDSS-406SS	1.83 m (6 ft)			Male
MQDEC-WDSS-412SS	3.66 m (12 ft)			<p>1 = Brown 2 = White 3 = Blue 4 = Black</p>

4-Pin Threaded M12/Euro-Style Splitter Cordsets—Flat Junction			
Model	Branches (Female)	Trunk (Male)	Pinout
CSB-M1240M1240	No branch	No trunk	<p>Female</p> <p>Male</p> <p>1 = Brown 2 = White 3 = Blue 4 = Black</p>
CSB-M1240M1241	2 x 0.30 m (1 ft)	No trunk	
CSB-M1241M1241		0.30 m (1 ft)	
CSB-M1248M1241		2.50 m (8 ft)	
CSB-M12415M1241		4.57 m (15 ft)	
CSB-M12425M1241		7.60 m (25 ft)	
CSB-UNT425M1241		7.60 m (25 ft) Unterminated	

## Brackets

### SMBWLS28RA

The bracket kit is available as a replacement for the one that comes with the light or switch. The kit contains two end brackets and four screws.



### SMBWLS28SM

This kit allows the light or switch to be mounted at a right angle to the mounting surface. The kit contains two end brackets and four screws.

