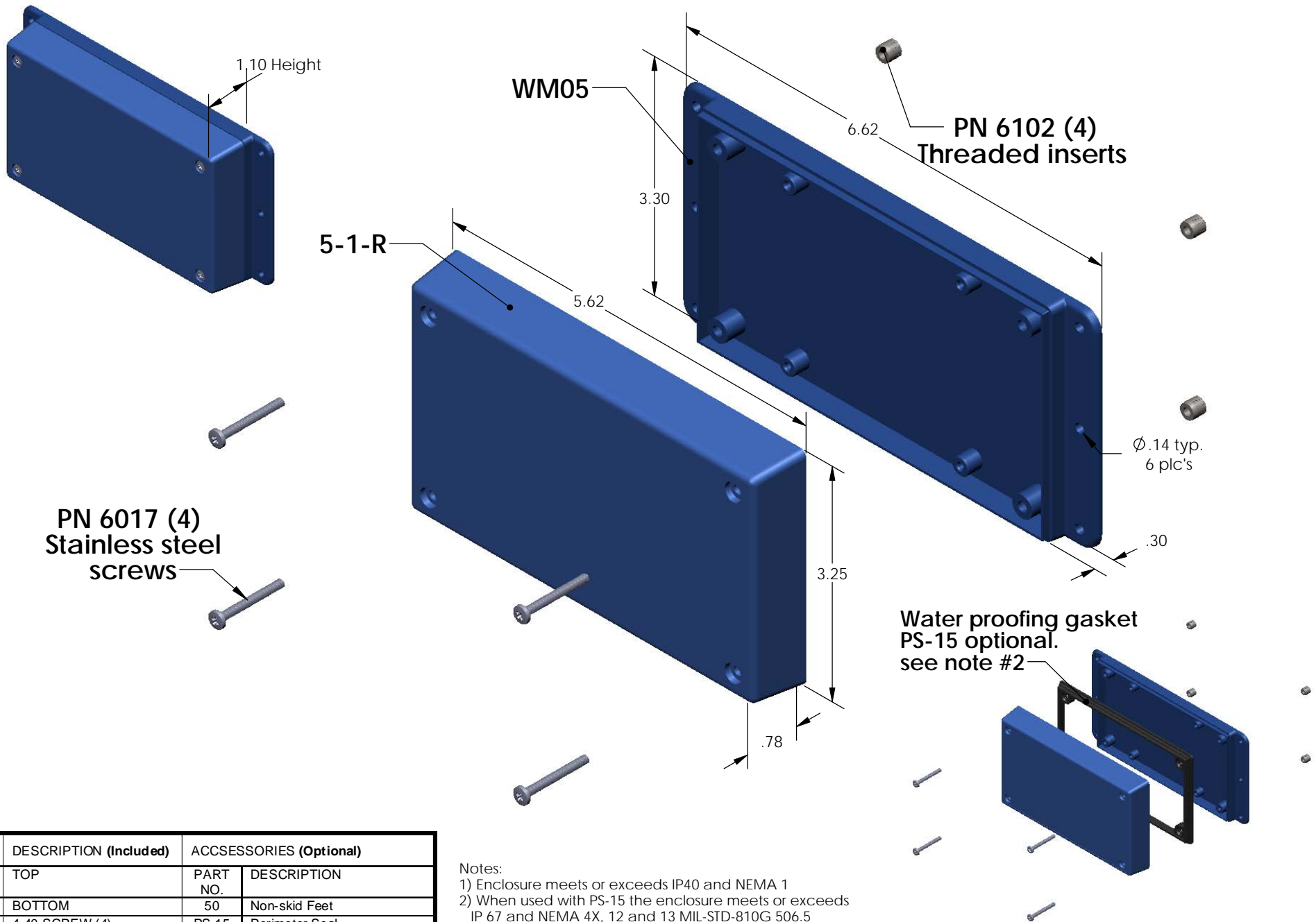


SERPAC **WM051-R** (exploded isometric)

Electronic Enclosures



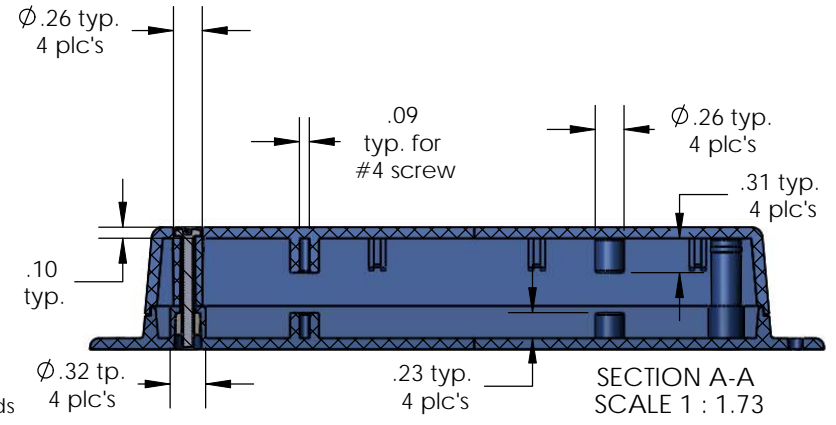
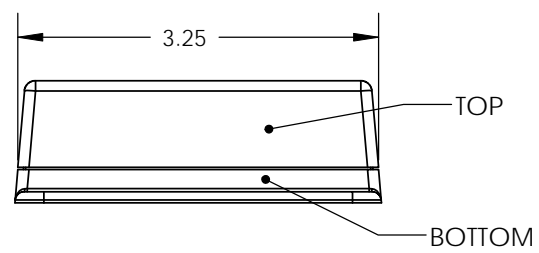
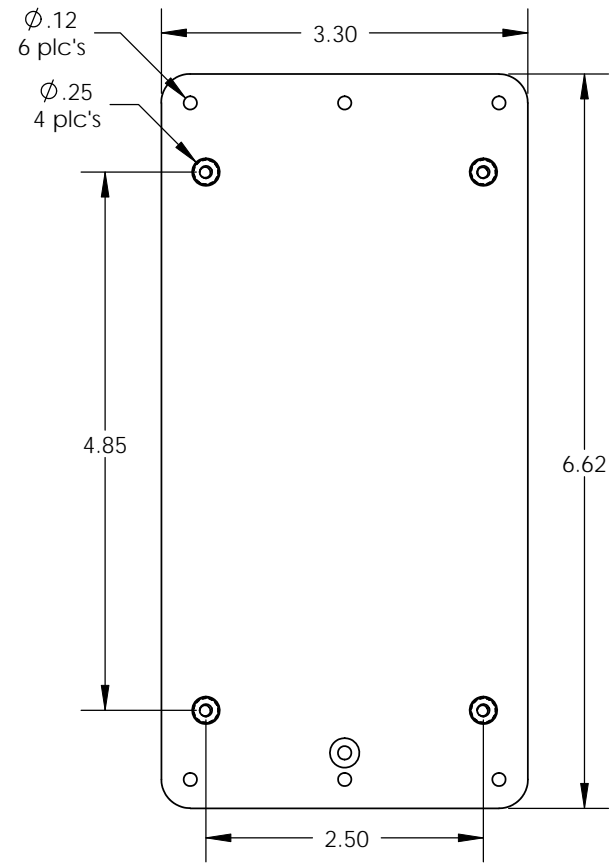
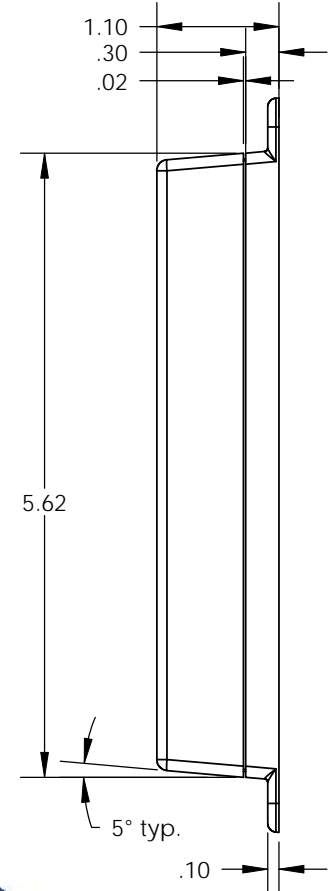
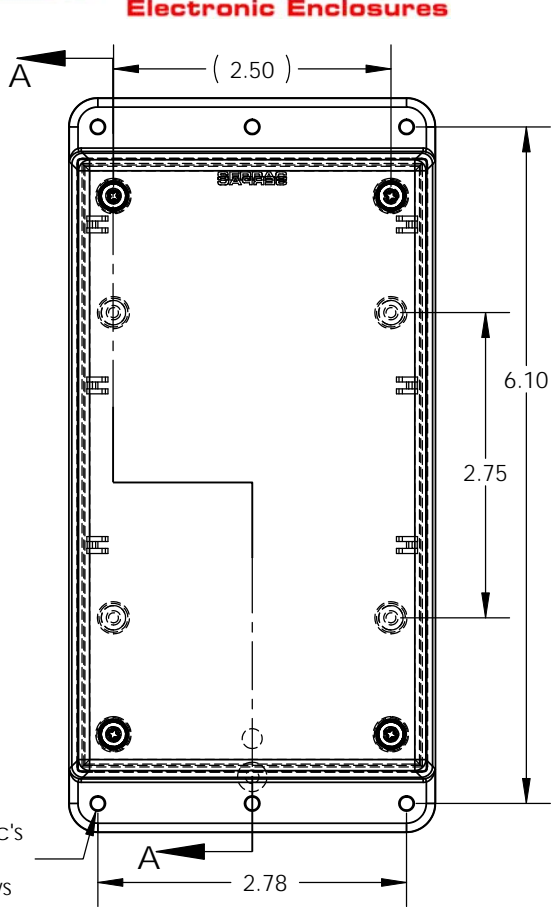
| PART NO. | DESCRIPTION (Included) | ACCESSORIES (Optional) | |
|----------|------------------------|------------------------|----------------------|
| 5-1-R | TOP | PART NO. | DESCRIPTION |
| WM05 | BOTTOM | 50 | Non-skid Feet |
| 6017 | 4-40 SCREW (4) | PS-15 | Perimeter Seal |
| 6102 | THREADED INSERTS (4) | 350 | Prototype grid board |
| | | 450 | Prototype clad board |

Notes:
 1) Enclosure meets or exceeds IP40 and NEMA 1
 2) When used with PS-15 the enclosure meets or exceeds IP 67 and NEMA 4X, 12 and 13 MIL-STD-810G 506.5
 3) Circuit Board drawings can be download at:
<http://www.serpac.com/Accessories/CircuitBoard/drawings/350-450-cbg.pdf>
 4) All components are RoHS Compliant.

ALL DIMENSIONS ARE ± .010" 6/02/09 (1 of 2)
619 Commercial Ave. Covina, CA 91723
 Ph. (626) 331-0517 Fx. (626) 331-8584 serpac.com

SERPAC WM051-R (user print)

Electronic Enclosures



| PART NO. | DESCRIPTION (Included) | ACCESSORIES (Optional) | |
|----------|------------------------|------------------------|----------------------|
| | | PART NO. | DESCRIPTION |
| 5-1-R | TOP | | |
| WM05 | BOTTOM | 50 | Non-skid Feet |
| 6017 | 4-40 SCREW (4) | PS-15 | Perimeter Seal |
| 6102 | THREADED INSERTS (4) | 350 | Prototype grid board |
| | | 450 | Prototype clad board |

- Notes:
- 1) Enclosure meets or exceeds IP40 and NEMA 1
 - 2) When used with PS-15 the enclosure meets or exceeds IP 67 and NEMA 4X, 12 and 13 MIL-STD-810G 506.5
 - 3) Circuit Board drawings can be download at:
http://www.serpac.com/Products/Sseries/x5x/drawings/X53_top-CB.pdf
 - 4) All components are RoHS Compliant.