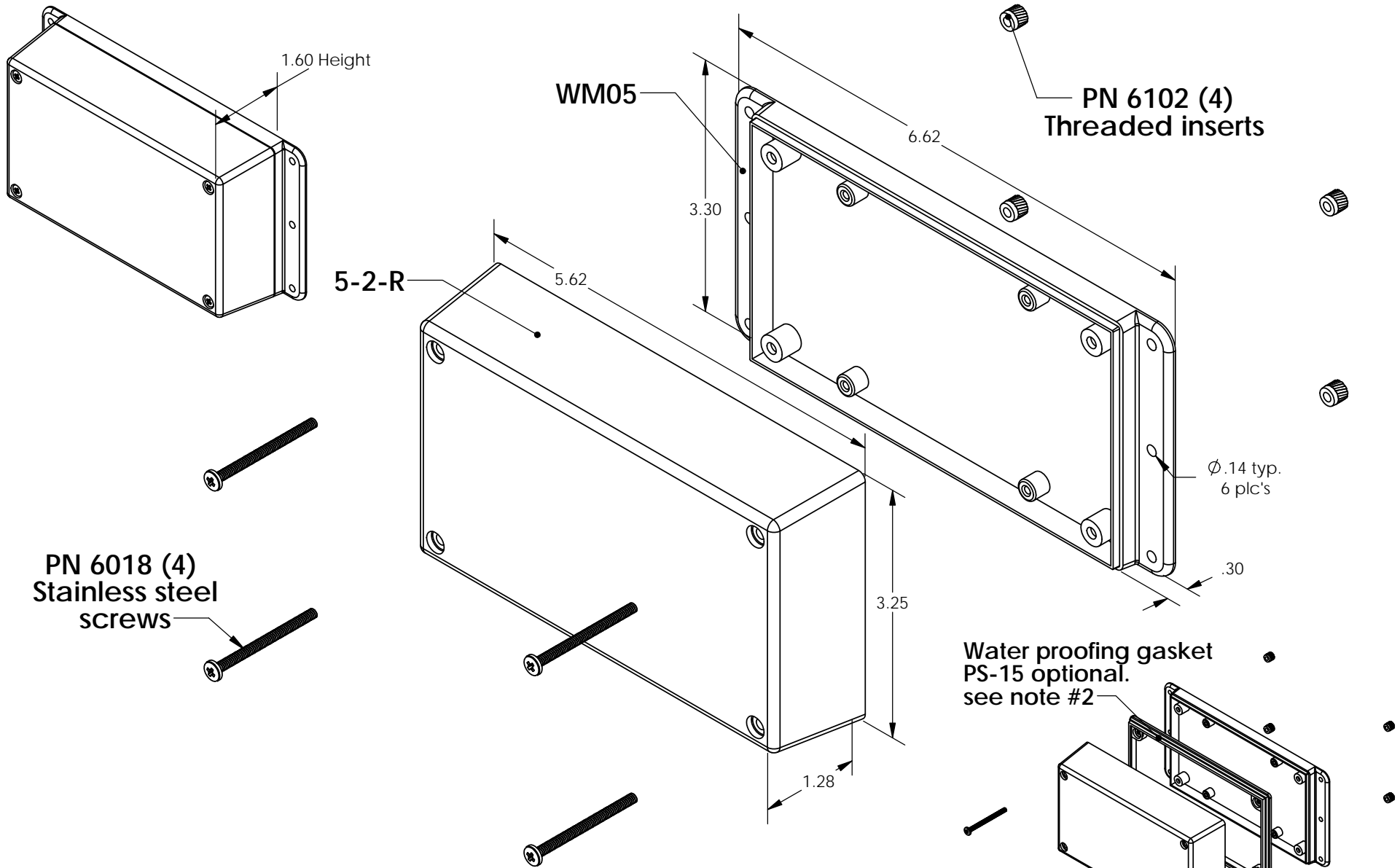


WM052-R (exploded isometric)



PART NO.	DESCRIPTION (Included)	ACCESSORIES (Optional)	
5-2-R	TOP	PART NO.	DESCRIPTION
WM05	BOTTOM	50	Non-skid Feet
6018	4-40 SCREW (4)	PS-15	Perimeter Seal
6102	THREADED INSERTS (4)	350	Prototype grid board
		450	Prototype clad board

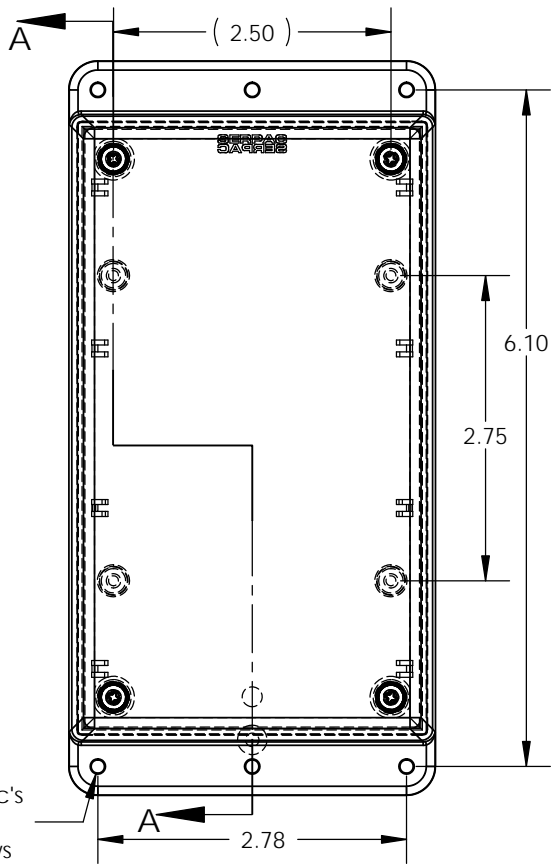
Notes:

- 1) Enclosure meets or exceeds IP40 and NEMA 1
- 2) When used with PS-15 the enclosure meets or exceeds IP 67 and NEMA 4X, 12 and 13 MIL-STD-810G 506.5
- 3) Circuit Board drawings can be download at:
<http://www.serpac.com/Accessories/CircuitBoard/drawings/350-450-cbg.pdf>
- 4) All components are RoHS Compliant.

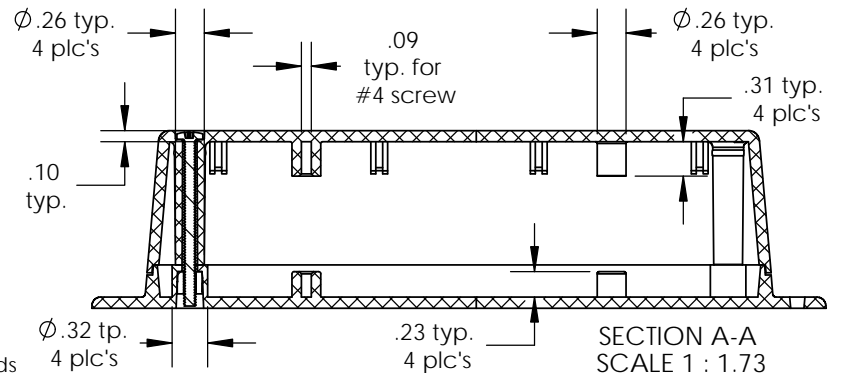
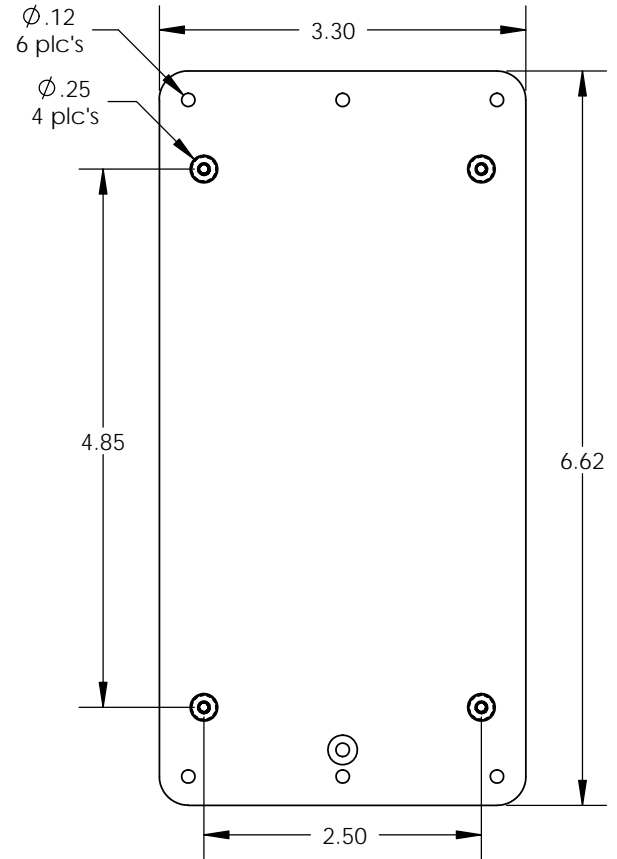
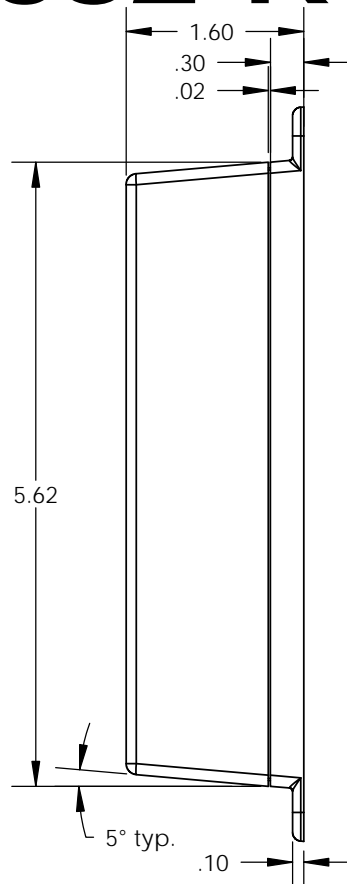
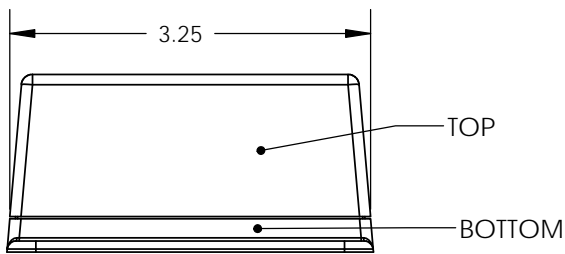
ALL DIMENSIONS ARE ±.010" 7/16/14 (1 of 2)
 2009 Wright Ave. La Verne, Ca 91750
 Ph. (626) 331-0517 Fx. (626) 331-8584 serpac.com

SERPAC WM052-R (user print)

Electronic Enclosures



Ø.14 6 plc's for #4 screws



PART NO.	DESCRIPTION (Included)	ACCESSORIES (Optional)	
5-2-R	TOP	PART NO.	DESCRIPTION
WM05	BOTTOM	50	Non-skid Feet
6018	4-40 SCREW (4)	PS-15	Perimeter Seal
6102	THREADED INSERTS (4)	350	Prototype grid board
		450	Prototype clad board

Notes:

- 1) Enclosure meets or exceeds IP40 and NEMA 1
- 2) When used with PS-15 the enclosure meets or exceeds IP 67 and NEMA 4X, 12 and 13 MIL-STD-810G 506.5
- 3) Circuit Board drawings can be download at: http://www.serpac.com/Products/Sseries/x5x/drawings/X53_top-CB.pdf
- 4) All components are RoHS Compliant.