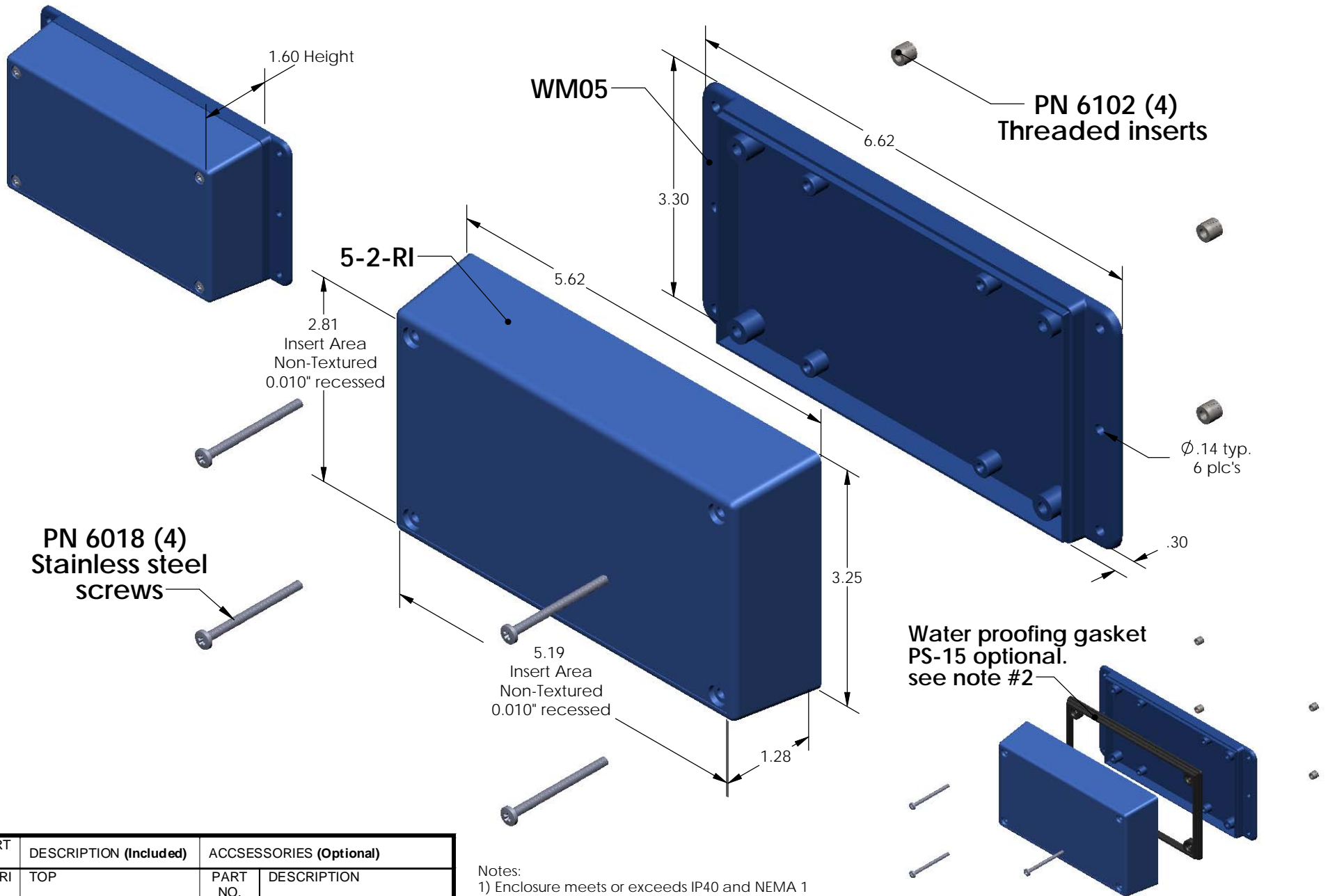


SERPAC **WM052-RI** (exploded isometric)

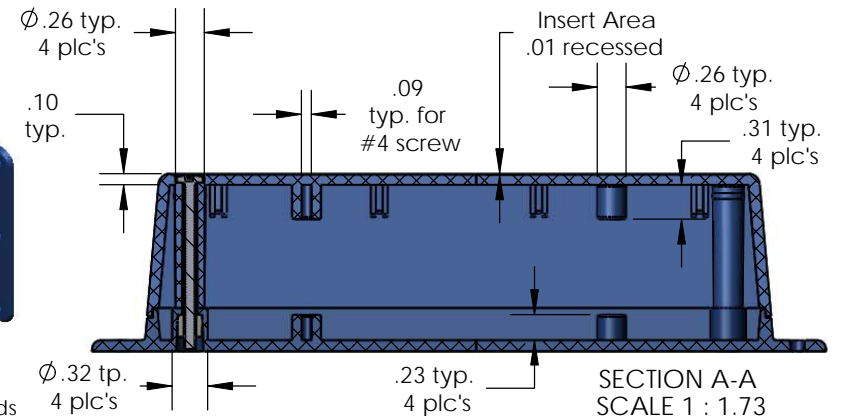
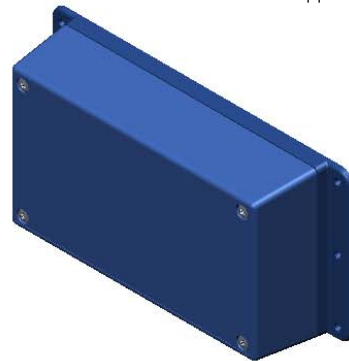
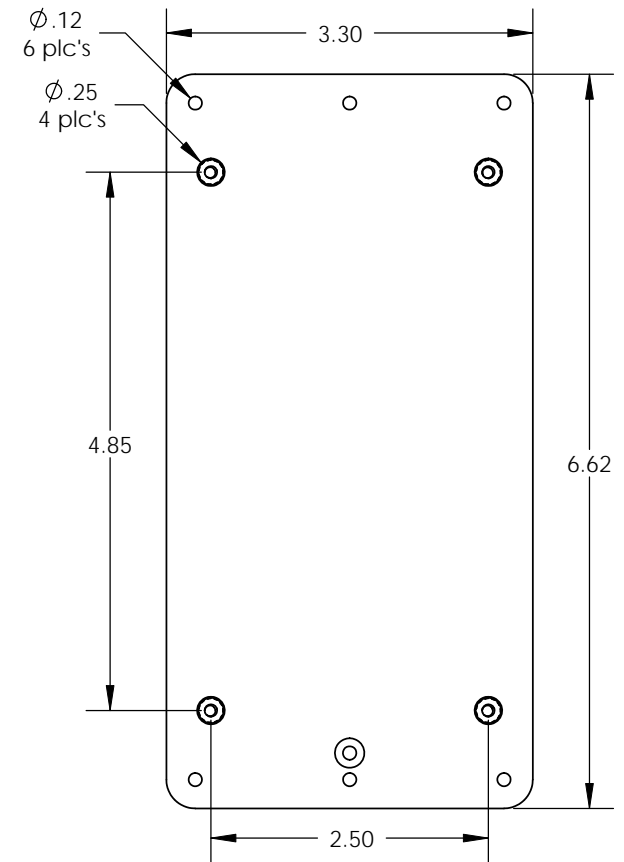
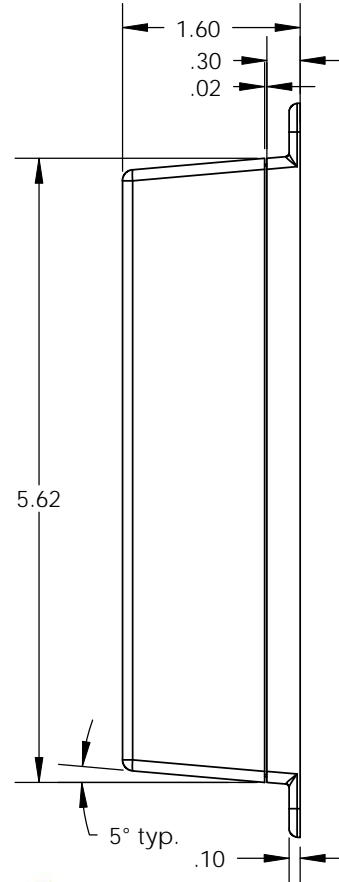
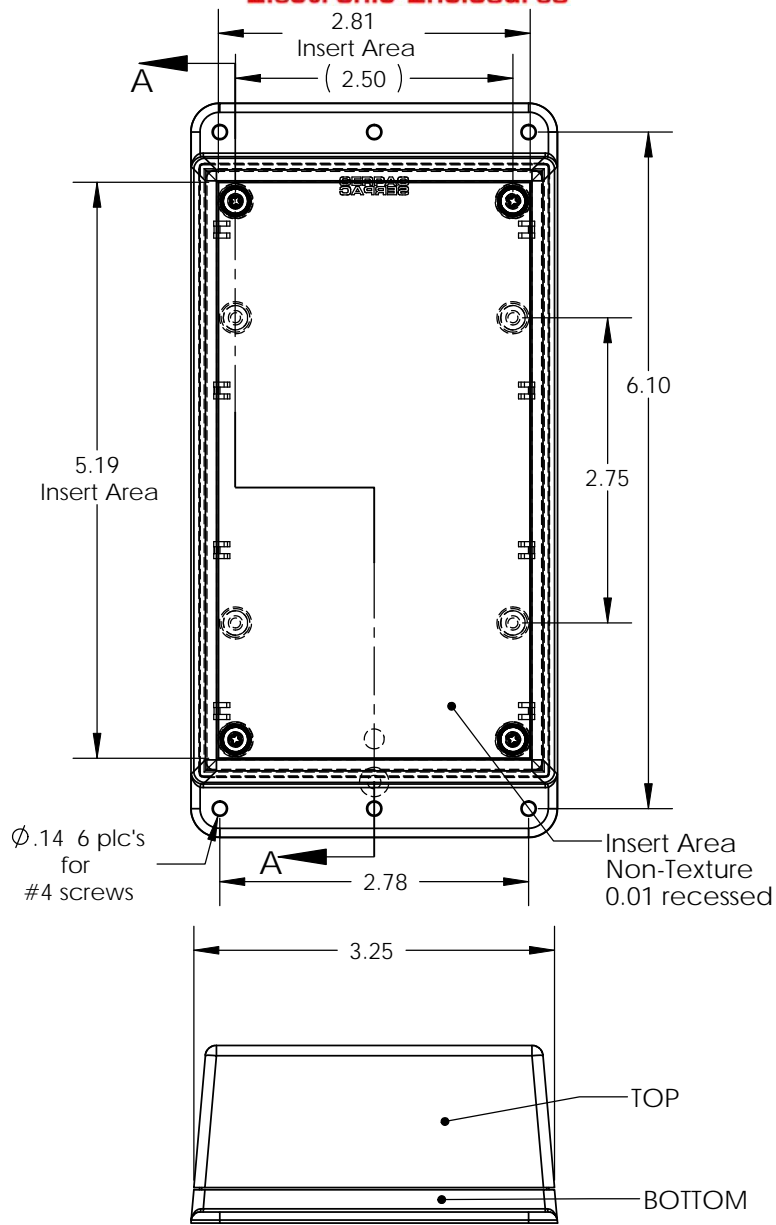
Electronic Enclosures



PART NO.	DESCRIPTION (Included)	ACCESSORIES (Optional)	
5-2-RI	TOP	PART NO.	DESCRIPTION
WM05	BOTTOM	50	Non-skid Feet
6018	4-40 SCREW (4)	PS-15	Perimeter Seal
6102	THREADED INSERTS (4)	350	Prototype grid board
		450	Prototype clad board

- Notes:
- 1) Enclosure meets or exceeds IP40 and NEMA 1
 - 2) When used with PS-15 the enclosure meets or exceeds IP 67 and NEMA 4X, 12 and 13 MIL-STD-810G 506.5
 - 3) Circuit Board drawings can be download at:
<http://www.serpac.com/Accessories/CircuitBoard/drawings/350-450-cbg.pdf>
 - 4) All components are RoHS Compliant.

ALL DIMENSIONS ARE ± .010" 6/02/09 (1 of 2)
619 Commercial Ave. Covina, CA 91723
 Ph. (626) 331-0517 Fx. (626) 331-8584 serpac.com



PART NO.	DESCRIPTION (Included)	ACCESSORIES (Optional)	
5-2-RI	TOP	PART NO.	DESCRIPTION
WM05	BOTTOM	50	Non-skid Feet
6018	4-40 SCREW (4)	PS-15	Perimeter Seal
6102	THREADED INSERTS (4)	350	Prototype grid board
		450	Prototype clad board

Notes:

- 1) Enclosure meets or exceeds IP40 and NEMA 1
- 2) When used with PS-15 the enclosure meets or exceeds IP 67 and NEMA 4X, 12 and 13 MIL-STD-810G 506.5
- 3) Circuit Board drawings can be download at:
<http://www.serpac.com/Accessories/CircuitBoard/drawings/350-450-cbg.pdf>
- 4) All components are RoHS Compliant.