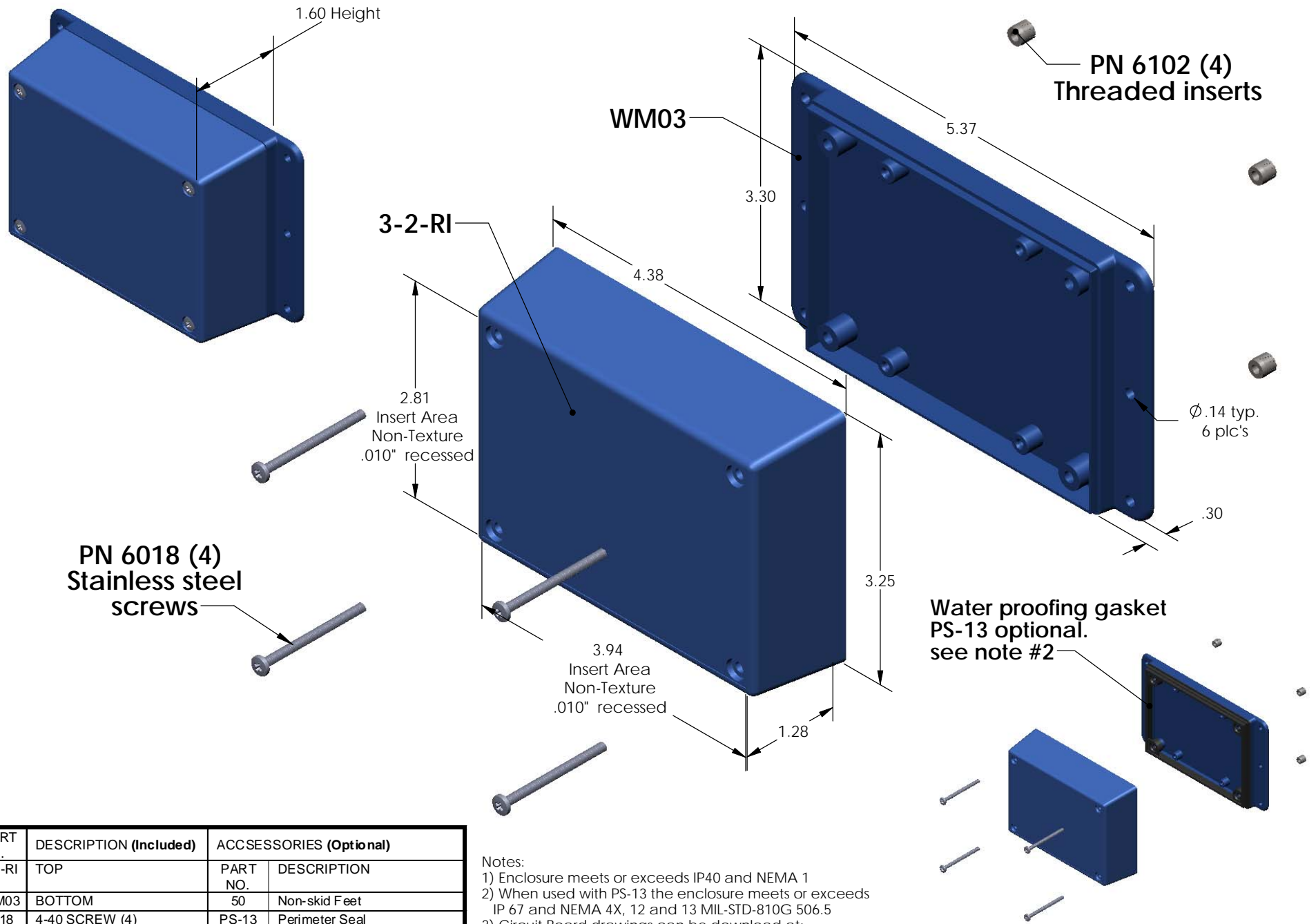


SERPAC Electronic Enclosures WM032-RI (exploded isometric)



PART NO.	DESCRIPTION (Included)	ACCESSORIES (Optional)	
3-2-RI	TOP	PART NO.	DESCRIPTION
WM03	BOTTOM	50	Non-skid Feet
6018	4-40 SCREW (4)	PS-13	Perimeter Seal
6102	THREADED INSERTS (4)	330	Prototype grid board
		430	Prototype clad board

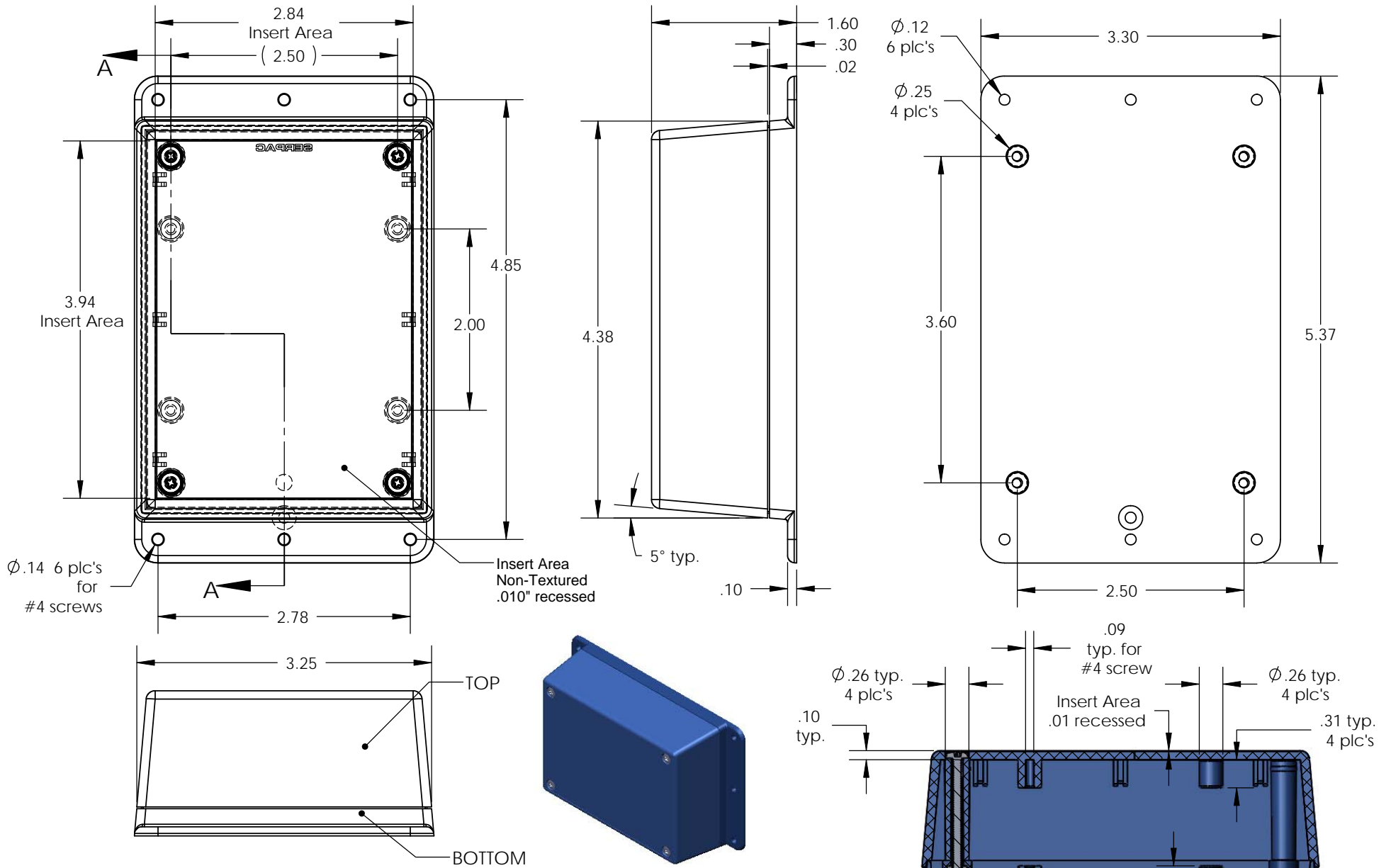
Notes:

- 1) Enclosure meets or exceeds IP40 and NEMA 1
- 2) When used with PS-13 the enclosure meets or exceeds IP 67 and NEMA 4X, 12 and 13 MIL-STD-810G 506.5
- 3) Circuit Board drawings can be download at:
<http://www.serpac.com/Accessories/CircuitBoard/drawings/330-430-cbg.pdf>
- 4) All components are RoHS Compliant.

Water proofing gasket
 PS-13 optional.
 see note #2

SERPAC WM032-RI (user print)

Electronic Enclosures



PART NO.	DESCRIPTION (Included)	ACCESSORIES (Optional)	
		PART NO.	DESCRIPTION
3-2-RI	TOP	50	Non-skid Feet
WMQ3	BOTTOM	PS-13	Perimeter Seal
6018	4-40 SCREW (4)	330	Prototype grid board
6102	THREADED INSERTS (4)	430	Prototype clad board

Notes:

- 1) Enclosure meets or exceeds IP40 and NEMA 1
- 2) When used with PS-13 the enclosure meets or exceeds IP 67 and NEMA 4X, 12 and 13 MIL-STD-810G 506.5
- 3) Circuit Board drawings can be download at: <http://www.serpac.com/Accessories/CircuitBoard/drawings/330-430-cbg.pdf>
- 4) All components are RoHS Compliant.

$\phi .32$ tp.
4 plc's

SECTION A-A
SCALE 1 : 1.5

ALL DIMENSIONS ARE $\pm .010"$ 5/29/09 (2 of 2)
619 Commercial Ave. Covina, CA 91723

Ph. (626) 331-0517 Fx. (626) 331-8584 www.serpac.com