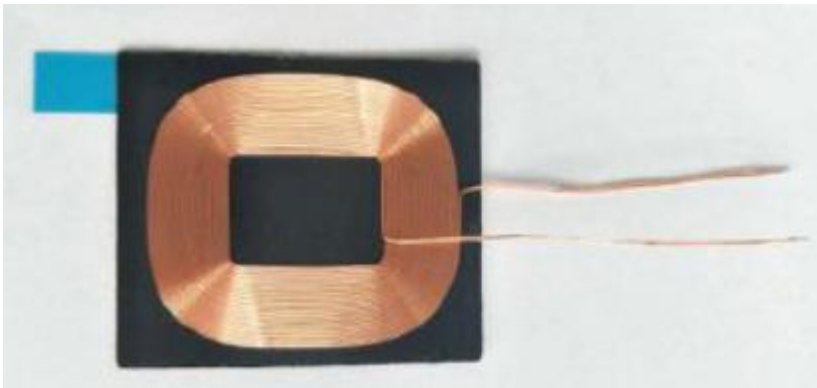


Description: Mobile Phone Receive Wireless Charge Coil

PART NUMBER: WMRR138F-0 Version 01



Features:

- - Magnetic Coil: antifreeze plate + coil
- - Meet the Qi international standard, be customized according to order
- - Ultrathin 、 compact 、 high efficiency 、 low heat
- - Length and gap of the outgoing line is customizability

Applications:

- - Mobile phone wireless charge

In the effort to improve our products, we reserve the right to make changes judged to be necessary.

CONFIDENTIAL AND PROPRIETARY INFORMATION

This document contains confidential and proprietary information of Pulse Electronics, Inc. (Pulse) and is protected by copyright, trade secret and other state and federal laws. Its receipt or possession does not convey any rights to reproduce, disclose its contents, or to manufacture, use or sell anything it may describe. Reproduction, disclosure or use without specific written authorization of Pulse is strictly forbidden.



Description: Mobile Phone Receive Wireless Charge Coil

PART NUMBER: WMRR138F-0 Version 01

Specifications

产品型号	YC-ZR3832
输出电压	DC 5V
输出电流	0-1000mA (MAX)
电感量	12.5uH±10%
内阻	320mΩ ±10%
线径	0.22mm±0.05, 双线并绕
测试频率	100KHz

In the effort to improve our products, we reserve the right to make changes judged to be necessary.

CONFIDENTIAL AND PROPRIETARY INFORMATION

This document contains confidential and proprietary information of Pulse Electronics, Inc. (Pulse) and is protected by copyright, trade secret and other state and federal laws. Its receipt or possession does not convey any rights to reproduce, disclose its contents, or to manufacture, use or sell anything it may describe. Reproduction, disclosure or use without specific written authorization of Pulse is strictly forbidden.

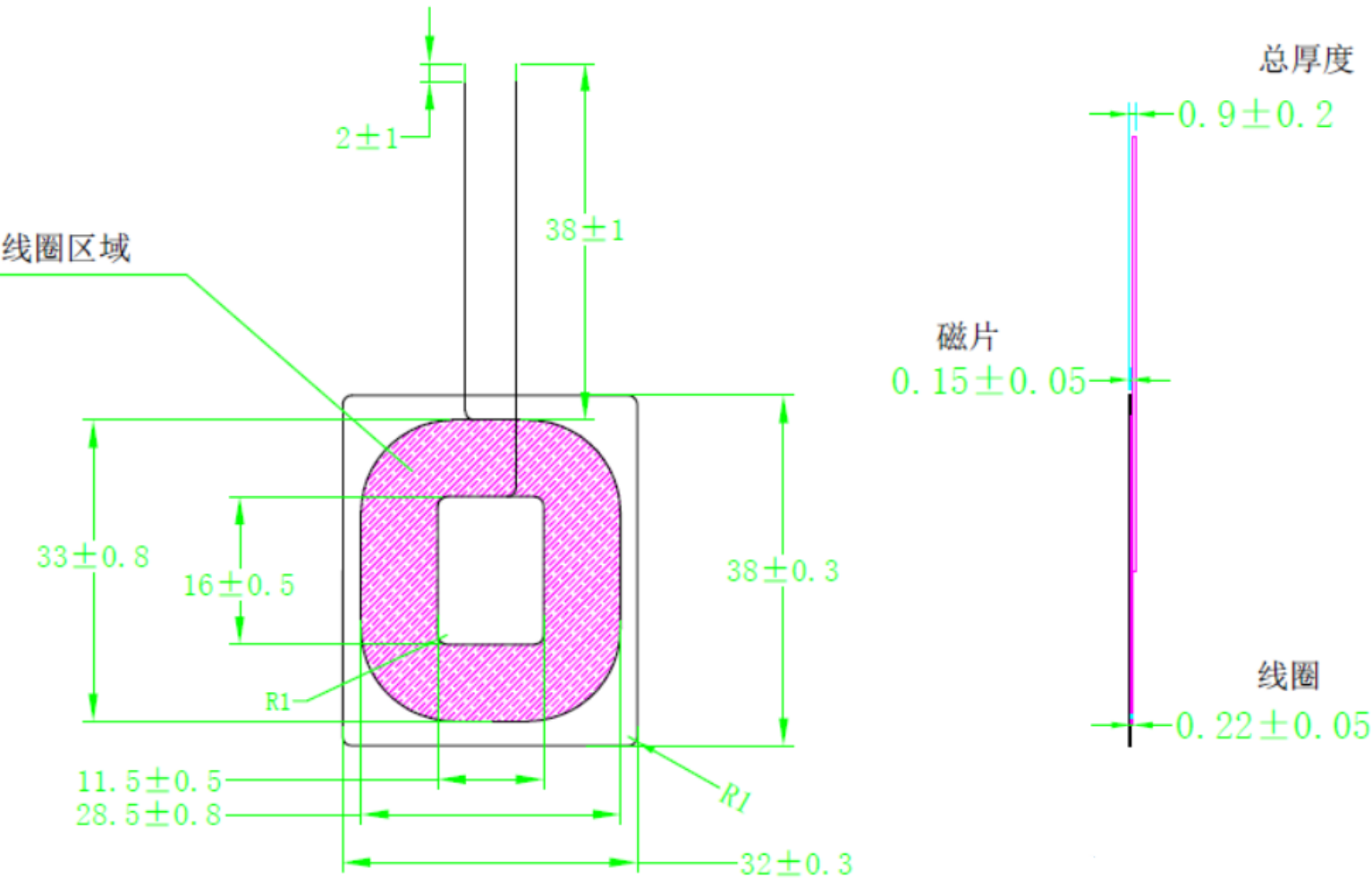
Website: <http://antennas.pulseelectronics.com>

Contact email: mobiledeviceantenna.sales@pulseelectronics.com

Description: Mobile Phone Receive Wireless Charge Coil

PART NUMBER: WMRR138F-0 Version 01

Mechanical



In the effort to improve our products, we reserve the right to make changes judged to be necessary.

CONFIDENTIAL AND PROPRIETARY INFORMATION

This document contains confidential and proprietary information of Pulse Electronics, Inc. (Pulse) and is protected by copyright, trade secret and other state and federal laws. Its receipt or possession does not convey any rights to reproduce, disclose its contents, or to manufacture, use or sell anything it may describe. Reproduction, disclosure or use without specific written authorization of Pulse is strictly forbidden.

Website: <http://antennas.pulseelectronics.com>

Contact email: mobiledeviceantenna.sales@pulseelectronics.com