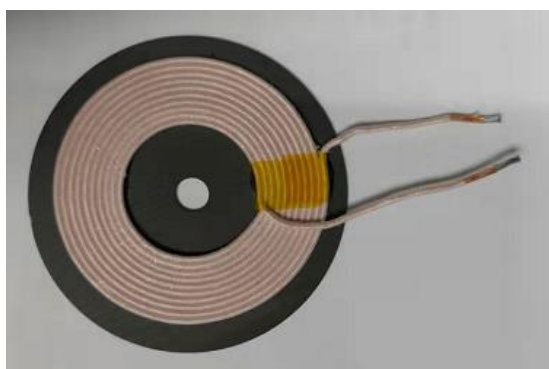


# Q1 Standard A11 Single Transmit Wireless Charge Coil

Pulse Part Number WMRT149A-1

V03



## Features

- Magnetic Coil: antifreeze plate + coil
- Meet the Qi international standard
- Antifreeze film of transmitter is injection molding ,make use of V-ON material, unzerbrechlich, breakageproof, every shape suitable
- Length and gap of the outgoing line is customizability

## Application

- Mobile phone wireless charge

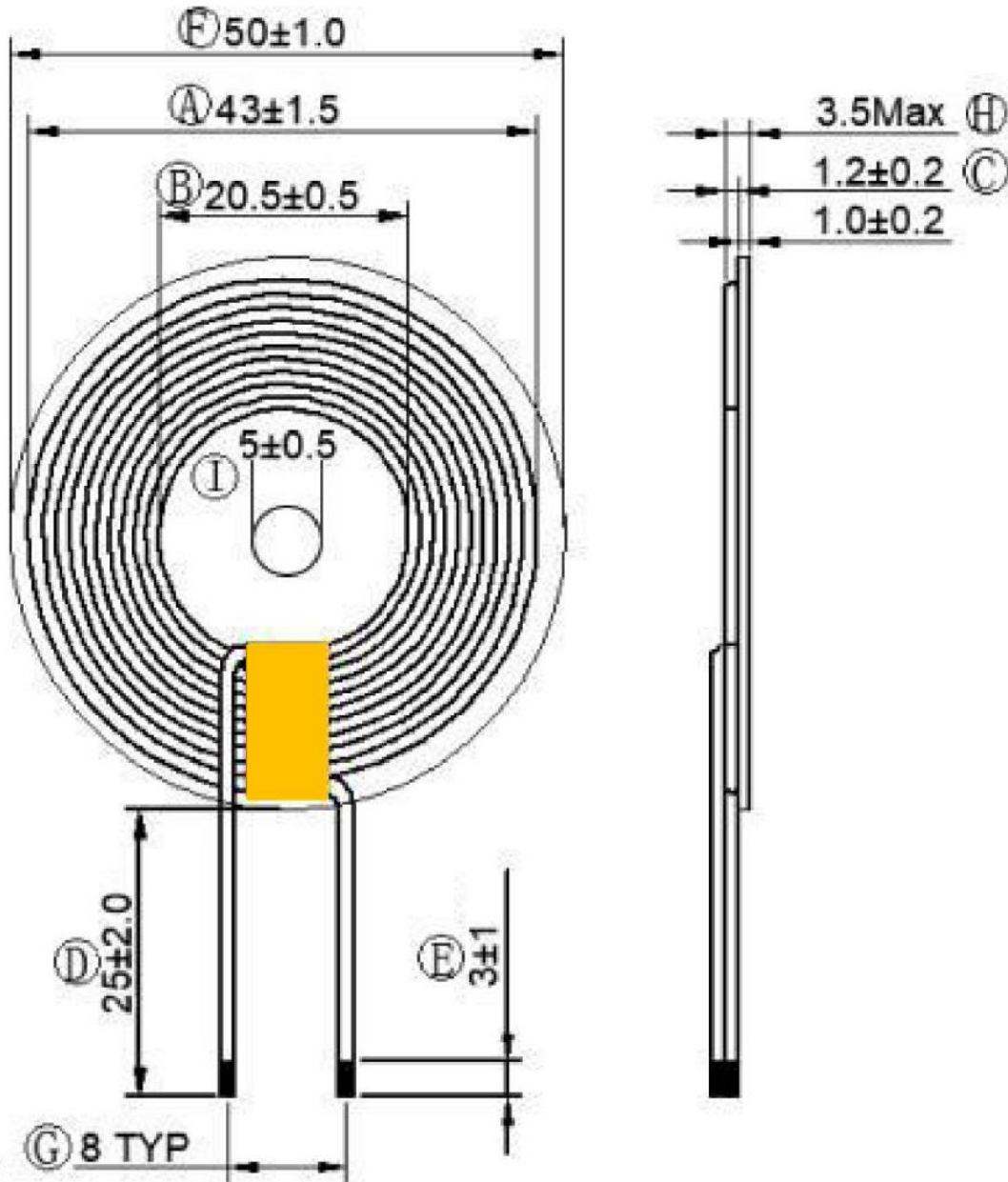
## Electrical specifications

Standard Voltage(V)	5
Rated Current (A)	1-2
Q factor	>70
Inductance(uH)	$6.9 \pm 10\%$
DC Resistance (mΩ)	$47 \pm 10\%$
Wire Diameter (mm)	0.08*105 strands cotton-insulated wire
Testing Environment	100KHZ 1V

# Q1 Standard A11 Single Transmit Wireless Charge Coil

Pulse Part Number WMRT149A-1

V03



注明:

- 1、整体外观干净，整洁，具体以签样为准
- 2、外观目视表面光滑、平整，无飞边、无毛刺，无缩痕，无熔接痕、颗粒及划痕外观不良