



PART NAME

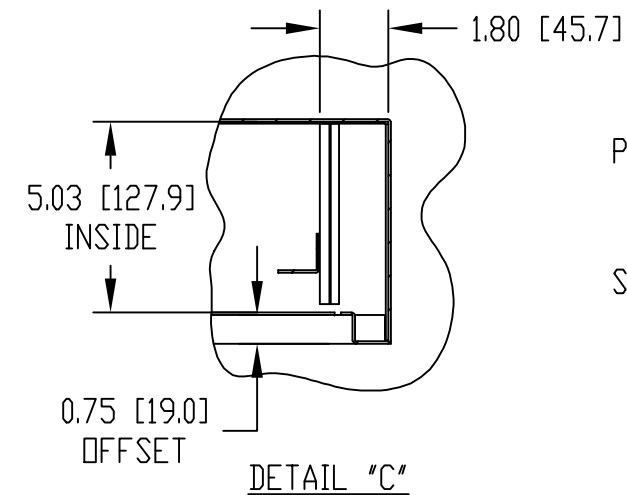
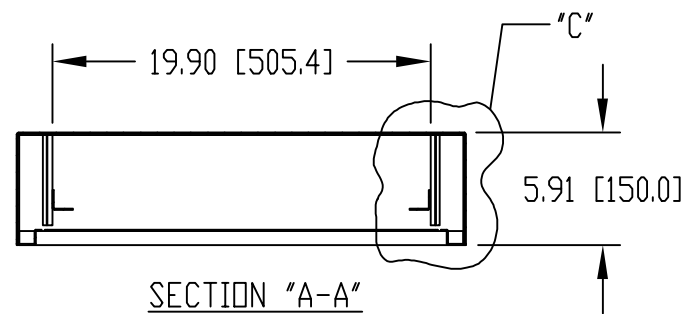
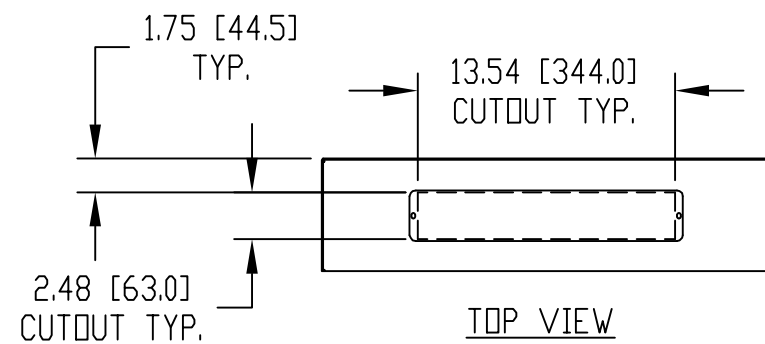
WALL MOUNT NETWORK CABINET

PART No.

WNC-5631

REV. DATE

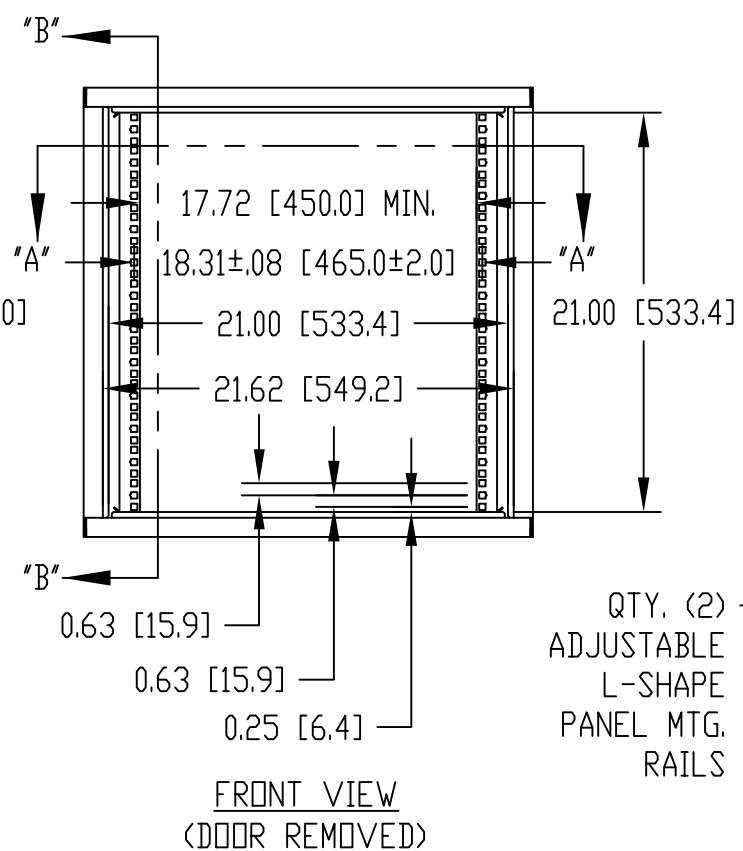
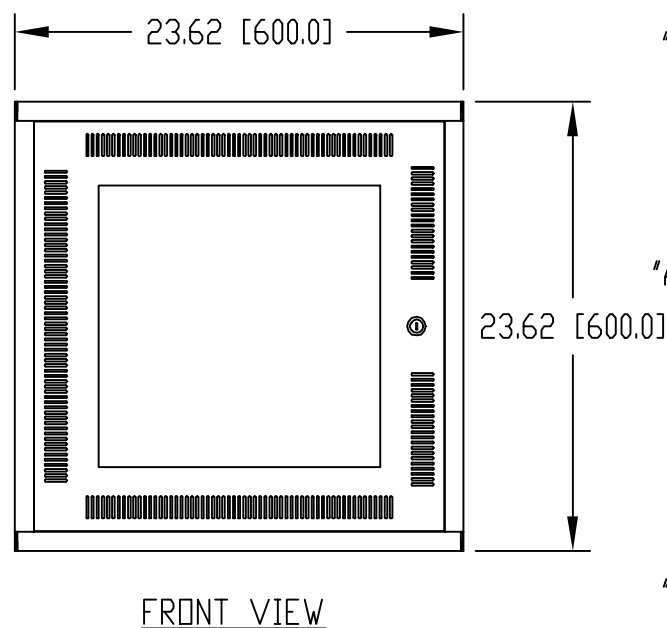
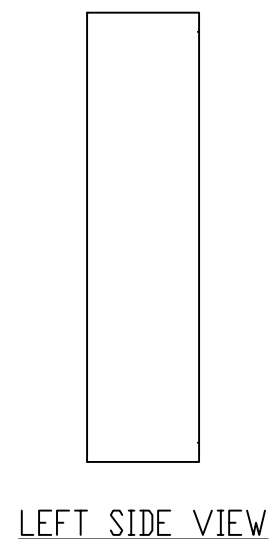
11-1-13



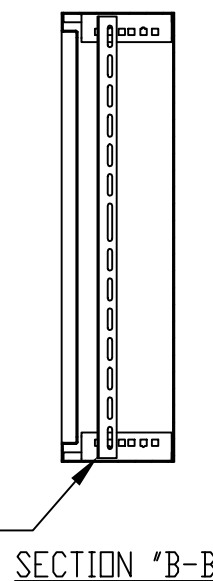
PANEL MOUNTING RAILS HAVE 0.350 [8.89] SQUARE HOLES ON E.I.A. UNIVERSAL HOLE SPACING

SUPPLIED HARDWARE KIT TO INCLUDE:
QTY. (25) M6x1.0 PITCH CAGE NUT
QTY. (25) M6x1.0 PITCH PAN HEAD SCREW
QTY. (25) NYLON FLAT WASHER
QTY. (4) RUBBER FEET
QTY. (6) KEYS

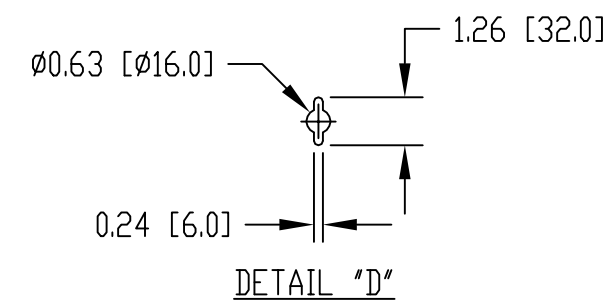
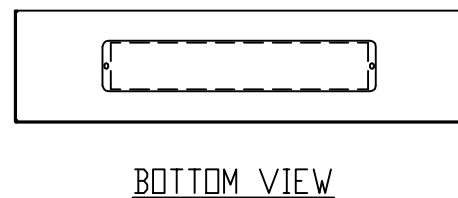
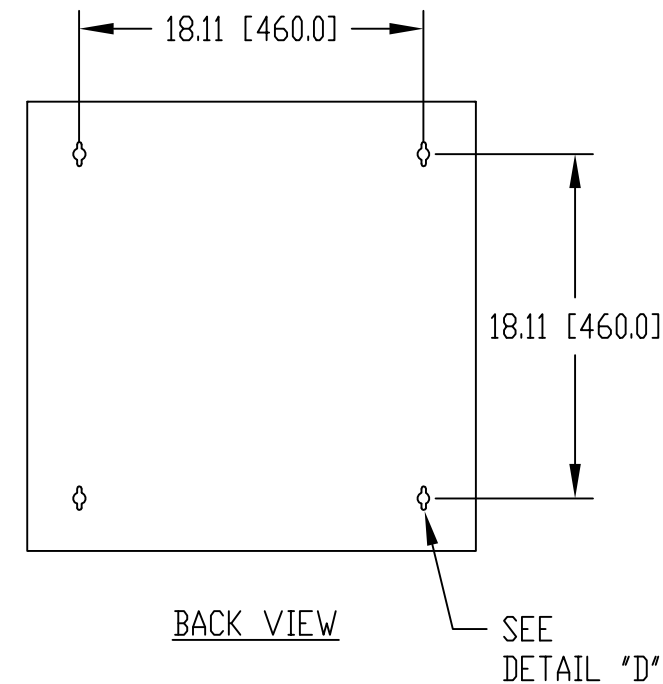
TOLERANCES: ALL DIMENSIONS ±0.08 [±2.0]



QTY. (2) ADJUSTABLE L-SHAPE PANEL MTG. RAILS



RIGHT SIDE VIEW



MATERIAL:
PANEL MOUNTING RAILS - 14 GA. [2.0mm] STEEL
ALL OTHER PARTS - 18 GA. [1.2mm] STEEL

FINISH:
FINE TEXTURED BLACK POWDER COATING