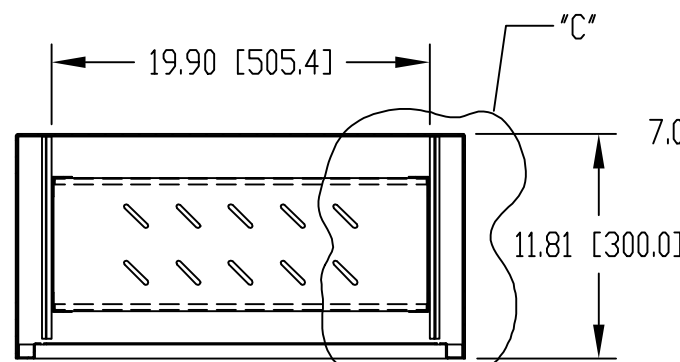
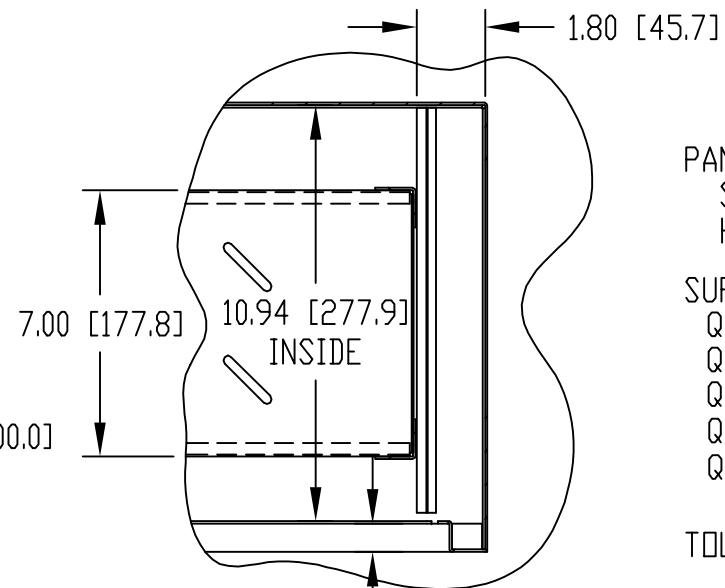


TOP VIEW

QTY. (2) FANS
125 VAC, 80 CFM EACH



SECTION "A-A"

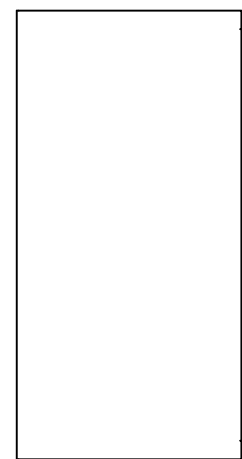


DETAIL "C"

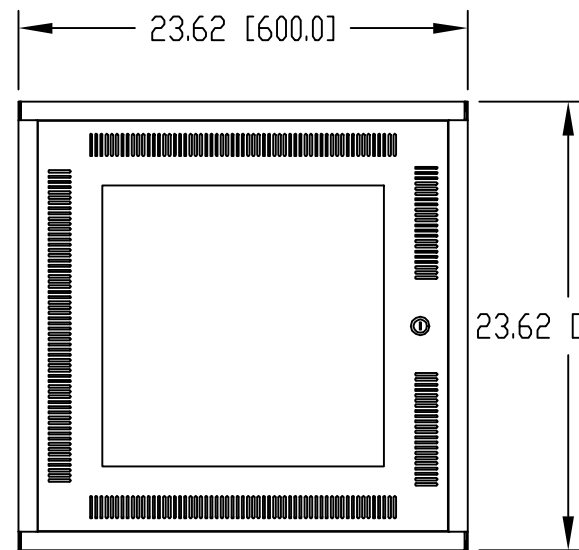
PANEL MOUNTING RAILS HAVE 0.350 [8.89] SQUARE HOLES ON E.I.A. UNIVERSAL HOLE SPACING

SUPPLIED HARDWARE KIT TO INCLUDE:
 QTY. (25) M6x1.0 PITCH CAGE NUT
 QTY. (25) M6x1.0 PITCH PAN HEAD SCREW
 QTY. (25) NYLON FLAT WASHER
 QTY. (4) RUBBER FEET
 QTY. (6) KEYS

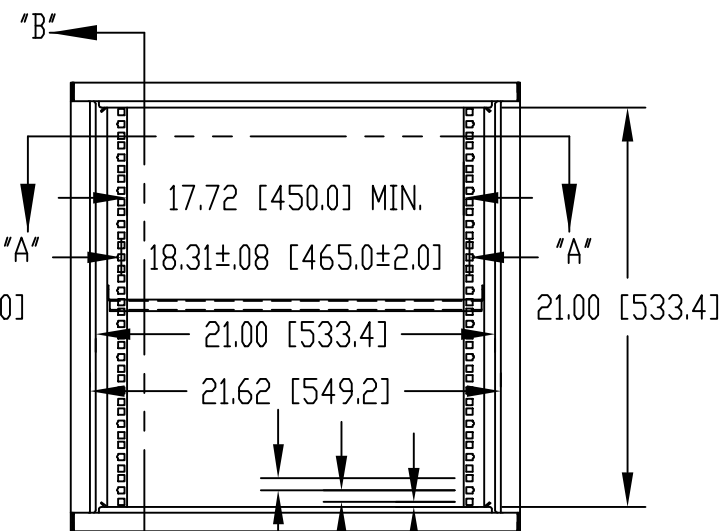
TOLERANCES: ALL DIMENSIONS ±0.08 [±2.0]



LEFT SIDE VIEW

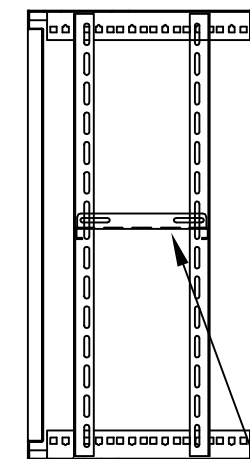


FRONT VIEW

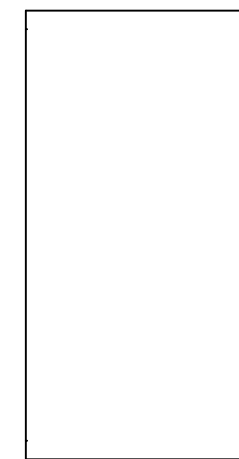


FRONT VIEW
(DOOR REMOVED)

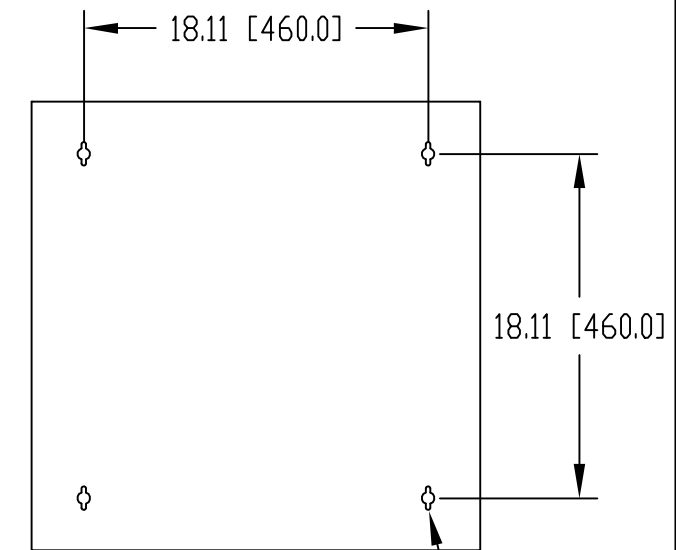
QTY. (4)
ADJUSTABLE
L-SHAPE
PANEL MTG.
RAILS



SECTION "B-B"

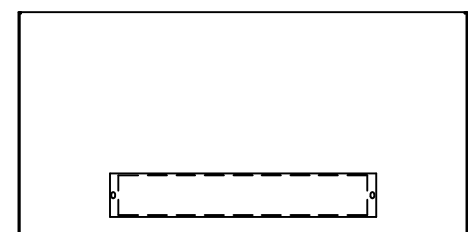


RIGHT SIDE VIEW



BACK VIEW

SEE
DETAIL "D"

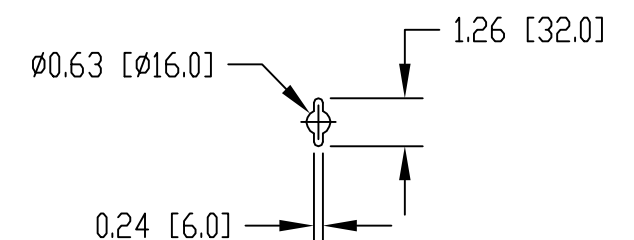


BOTTOM VIEW

MATERIAL:
 PANEL MOUNTING RAILS - 14 GA. [2.0mm] STEEL
 SHELF - 18 GA. [1.2mm] STEEL
 ALL OTHER PARTS - 18 GA. [1.2mm] STEEL

FINISH:
 FINE TEXTURED BLACK POWDER COATING

QTY. (1)
VENTILATED
SHELF
ADJUSTABLE



DETAIL "D"