

ADAPTER

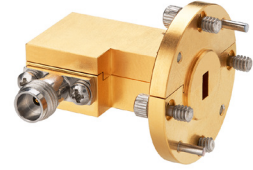
Waveguide to Coax

WR19-EFR+

50Ω 40 to 60 GHz Right-Angle 1.85mm-F to WR19 UG383/U Flange

THE BIG DEAL

- Full U-band Frequency Range, 40 to 60 GHz
- Low Insertion Loss, 0.8 dB typ.
- Excellent Return Loss, 20 dB typ.
- Compact Right-Angle Design
- Precision UG383/U Waveguide Flange
- 1.85mm-Female Connector



Generic photo used for illustration purposes only

Model No.	WR19-EFR+
Case Style	UW3147
Connector 1	1.85mm-Female
Connector 2	WR19 UG383/U Flange

+RoHS Compliant

The +Suffix identifies RoHS Compliance. See our website for methodologies and qualifications

APPLICATIONS

- Waveguide Sub-system Rapid Prototyping
- R&D, Production, and OTA Test Systems
- 5G MIMO and Back Haul Radio Systems
- Test & Measurement Equipment
- SATCOM Systems

PRODUCT OVERVIEW

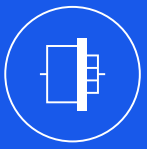
Mini-Circuits' WR19-EFR+ is a waveguide to coax adapter operating from 40 to 60 GHz. This product features a WR19 waveguide interface with a precision standard UG383/U flange to 1.85mm-Female coaxial connector. The WR19-EFR+ is machined from aluminum alloy 6061-T6 and gold-plated to ensure repeatable RF performance. This right-angle adapter has applications in R&D, production, over-the-air (OTA) mmWave test laboratories as well as in U-Band communication and SATCOM systems.

KEY FEATURES

Feature	Advantages
Wideband, 40 to 60 GHz	Full operating frequency range of WR19 waveguide
Low insertion loss, 0.8 dB typ. Excellent return loss, 20 dB typ.	Provides a near transparent transition for critical coax to waveguide transition requirements
Precision machined with outstanding surface finish	Mini-Circuits mmWave waveguide to coaxial adapters utilize high precision machining for repeatable performance over full waveguide bands. The highly polished, match-machined surfaces are gold plated to 20 μinches minimum over 100 μinches minimum of nickel.

REV. OR
ECO-015832
WR19-EFR+
MCL NY
221219





ADAPTER

Waveguide to Coax

WR19-EFR+

50Ω 40 to 60 GHz Right-Angle 1.85mm-F to WR19 UG383/U Flange

ELECTRICAL SPECIFICATIONS AT 25°C

Parameter	Condition (GHz)	Min.	Typ.	Max.	Units
Frequency Range		40		60	GHz
Insertion Loss ¹	40 - 60	—	0.8	—	dB
Return Loss ²	40 - 60	—	20.0	15.0	dB

1. Insertion loss is measured as return loss on coax port, with a short on waveguide port. Results are divided by 2.

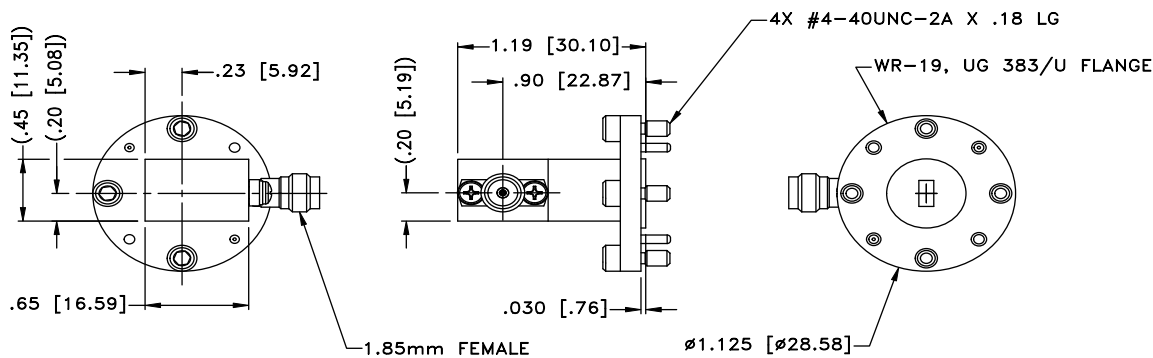
2. Tested on coax port, with termination on waveguide port.

ABSOLUTE MAXIMUM RATINGS³

Parameter	Ratings
Operating Case Temperature	-40 °C to +85 °C
Storage Temperature	-55 °C to +100 °C

3. Permanent damage may occur if any of these limits are exceeded.

OUTLINE DRAWING



Dimensions are in inches [mm]. Tolerances 2Pl±.02; 3 Pl ±.010

Weight: 25 grams

Notes

1. Case material: Aluminum Alloy.
2. Case finish: Gold plating