

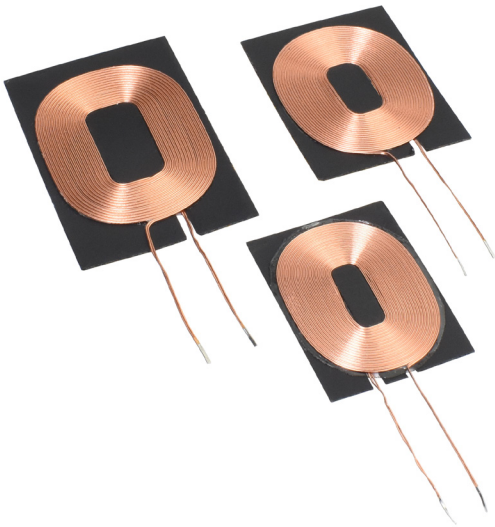
WRSR Series

Rectangular Wireless Charging Coils (Receiving)

Signal's Wireless Rectangular Charging Coil (WRSR) Series are receiving rectangular wireless charging transmission coils, available in single windings configuration. The WRSR Series allows power to be transmitted wirelessly through inductive coupling to charge an array of products.

The WRSR Series transmitter coils utilize inductive coupling to transfer signals, data and power from one source to another.

The advantages of the WRSR's use of inductive coupling eliminates conductive connections and traditional wiring, seamlessly transferring data and power while avoiding the mechanical abrasion, corrosion and wearing-out of conductive contacts. The fixed-in position inductive coils are non-moving, resistant to vibration and corrosion, and are designed for reliability and longevity.



General Features

- Single coil, four layers
- Pin cooling technology and tight pin tolerance control within ± 1.0 mm after the tin immersion process
- Inductance tolerance: Rectangular core shape
- Size and shape characteristics are customizable
- Low profile & high mechanical intensity
- Qi standard compliance
- RoHS and REACH compliant

Specifications

- Impedance range: 11 to 16.7 ohms at 125 kHz
- I sat range: 4.0 to 6.0 A
- Operating Temperature Range: -25 °C to $+105$ °C
- Storage Temperature Range: -40 °C to $+85$ °C

Applications

- Mobile phones, tablets & gaming controllers
- Digital cameras, consumer electronics
- Smart accessories, wearable devices
- Wireless charging devices
- Drones, toothbrushes, robotic cleaners
- Health & fitness

PRODUCT IDENTIFICATION

W R S R - 12R0 K - 13

(1) (2) (3) (4) (5) (6) (7)

- | | |
|---|--|
| (1) Type: Wireless Charging Coil | (5) Inductance: 12R0 = 12.0 μ H |
| (2) Location: R = Receiver | (6) Inductance Tolerance: K: \pm 10% |
| (3) Number of Windings: S = Single | (7) Qi standard code or other |
| (4) Winding Core Shape: R = Rectangular | |

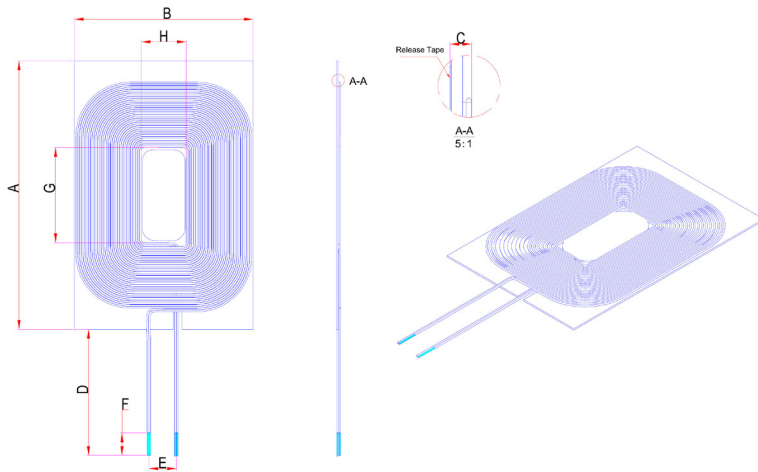
MECHANICAL SPECIFICATIONS

Dimensions are in mm.

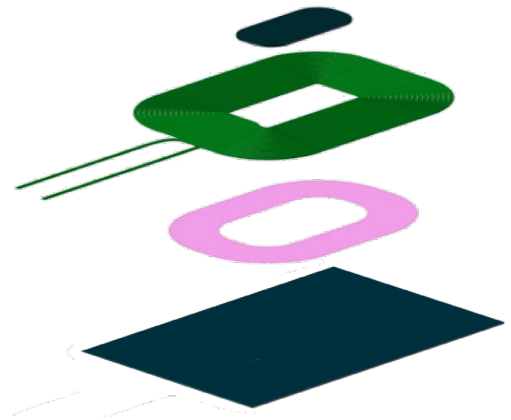
Part Number	A	B	C *	D	E	F
WRSR-11R0K-16	34.0 \pm 0.5	26.7 \pm 0.3	0.92 \pm 0.3	25.0 \pm 2.0	5.0 Ref	5.0 \pm 2.0
WRSR-12R0K-13	48.0 \pm 0.5	32.0 \pm 0.3	1.06 Max	25.0 \pm 2.0	5.0 Ref	5.0 \pm 2.0
WRSR-16R7K-11	38.5 Max	30.5 Max	1.06 Max	25.0 \pm 2.0	5.0 Ref	5.0 \pm 2.0

* C size does contain release paper

DIMENSIONS



COIL UNIT ASSEMBLY



ELECTRICAL SPECIFICATIONS

Electrical specifications measured at 25°C / RH 65% unless otherwise stated.

Part Number	L (\pm 10%)	DCR (Max)	Q (Typ)	I rms (Max) @ 40°C	Isat (Typ)	Operating Temperature	Test Condition
WRSR-11R0K-16	11.0 μ H	200 m Ω	30	2.5 A	4.0 A	-25 to 105°C	125 kHz / 10 mA
WRSR-12R0K-13	12.0 μ H	200 m Ω	33	3.0 A	6.0 A	-25 to 105°C	125 kHz / 10 mA
WRSR-16R7K-11	16.7 μ H	430 m Ω	32	2.5 A	4.0 A	-25 to 105°C	125 kHz / 10 mA

Operating temperature only for product structure & electrical parameters.

Custom versions available upon request.



128 Atlantic Avenue, Lynbrook, NY 11563
 Toll Free 866-239-5777 | Tel 516-239-5777 | Fax 516-239-7208
 sales@signaltransformer.com | techhelp@signaltransformer.com

belfuse.com/signal