

# 10/100 BASE – TX SINGLE PORT TRANSFORMER MODULES



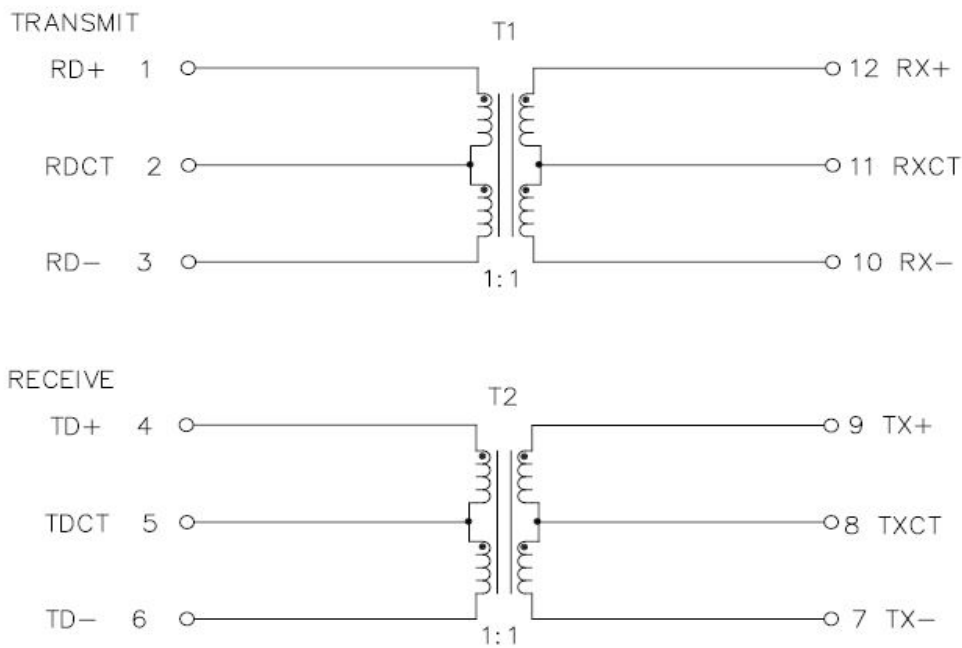
- ⚙️ 10KVAC isolation between input and output
- ⚙️ 350uH OCL with 8mA DC
- ⚙️ Operating Temperature: -40°C to +85°C
- ⚙️ Storage Temperature: -55°C to +125°C
- ⚙️ Lead Finish: Pure Tin
- ⚙️ Moisture Sensitivity Level: 3

## Electrical Specifications @ 25°C

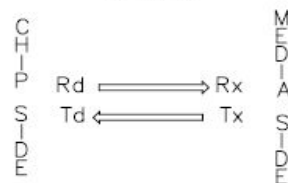
Part Number	Insertion Loss (dB MAX)				Return Loss (dB MIN)						Crosstalk (dB MIN)				Differential to Common Mode Rejection (dB MIN)			
	0.1-30 MHz	60 MHz	80 MHz	100 MHz	5 MHz	30 MHz	50 MHz	60 MHz	80 MHz	100 MHz	1 MHz	30 MHz	60 MHz	100 MHz	30 MHz	60 MHz	100 MHz	200 MHz
X-1697NL	-1.5	-3	-3.5	-4.5	-18	-8	-5.5	-4.5	-3	-2	-45	-30	-27	-25	-36	-32	-30	-25

## Schematic

X-1697NL



### LEGEND

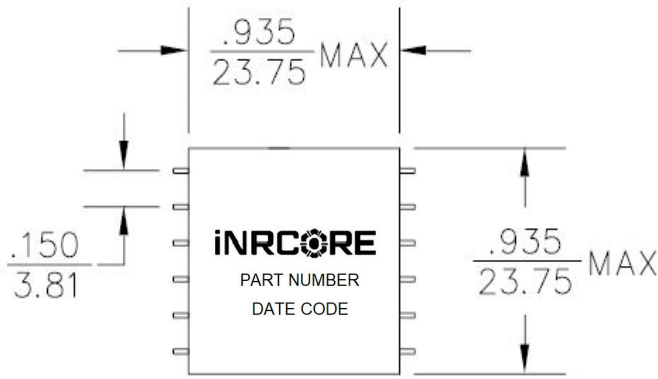


ALL CHANNELS ARE IN-PHASE BETWEEN INPUT AND OUTPUT



## Mechanical

**X-1697**



Dimensions:  $\frac{\text{Inches}}{\text{mm}}$   
 Unless otherwise specified,  
 all tolerances are  $\pm \frac{.010}{0.25}$

