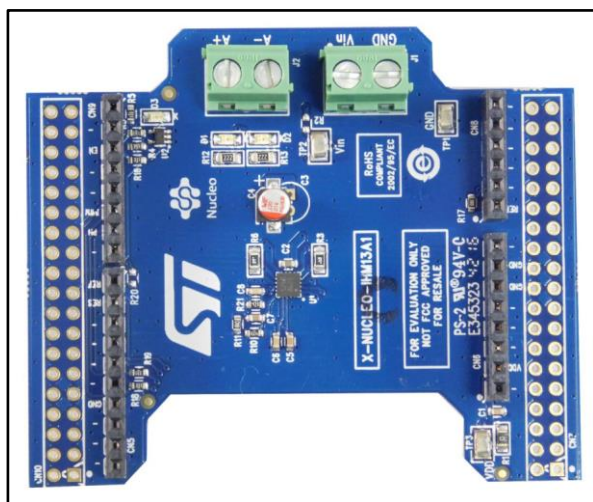


Low voltage brush DC motor driver expansion board for STM32 Nucleo based on the STSPIN250

Data brief



Description

The X-NUCLEO-IHM13A1 expansion board for STM32 Nucleo is based on the STSPIN250 low voltage brush DC motor driver.

It provides an affordable and easy-to-use solution for the implementation of portable motor driving applications such as thermal printers, robotics and toys.

The X-NUCLEO-IHM13A1 is compatible with the Arduino UNO R3 connector and most STM32 Nucleo boards.

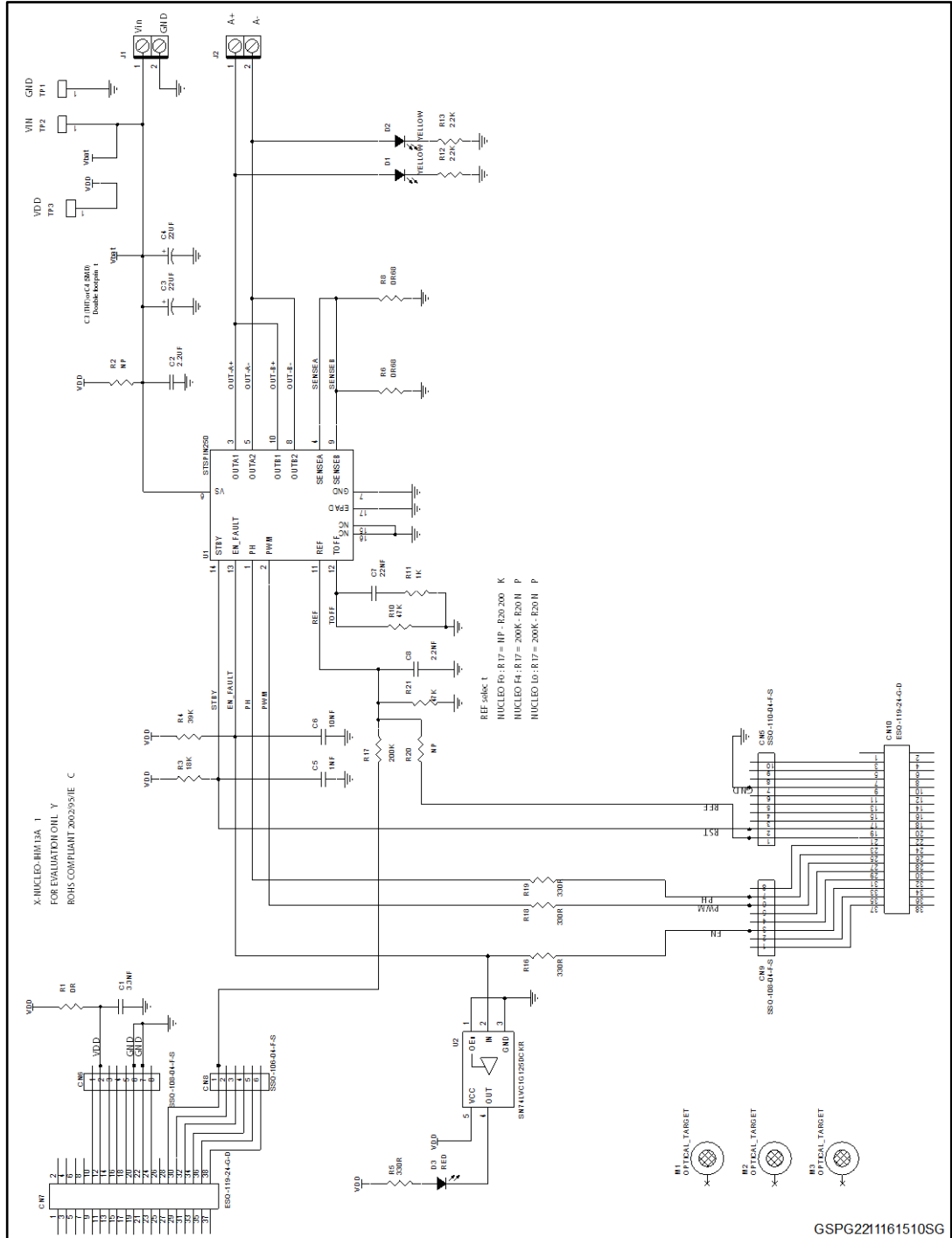
Features

- Low voltage range from 1.8 V to 10 V
- Current up to 2.6 A r.m.s.
- Current control with adjustable off-time
- Full overcurrent and short circuit protection
- Thermal shutdown
- Compatible with Arduino UNO R3 connector
- Compatible with STM32 Nucleo boards
- RoHS compliant



1 Schematic diagram

Figure 1: X-NUCLEO-IHM13A1 circuit schematic



2 Revision history

Table 1: Document revision history

Date	Version	Changes
05-Dec-2016	1	Initial release.