

X9314

Terminal Voltages  $\pm 5V$ , 32 Taps, Log Taper Single Digitally Controlled Potentiometer (XDCP™)

FN8178  
Rev 3.00  
July 24, 2014

The Intersil X9314 is a solid state nonvolatile potentiometer and is ideal for digitally controlled resistance trimming.

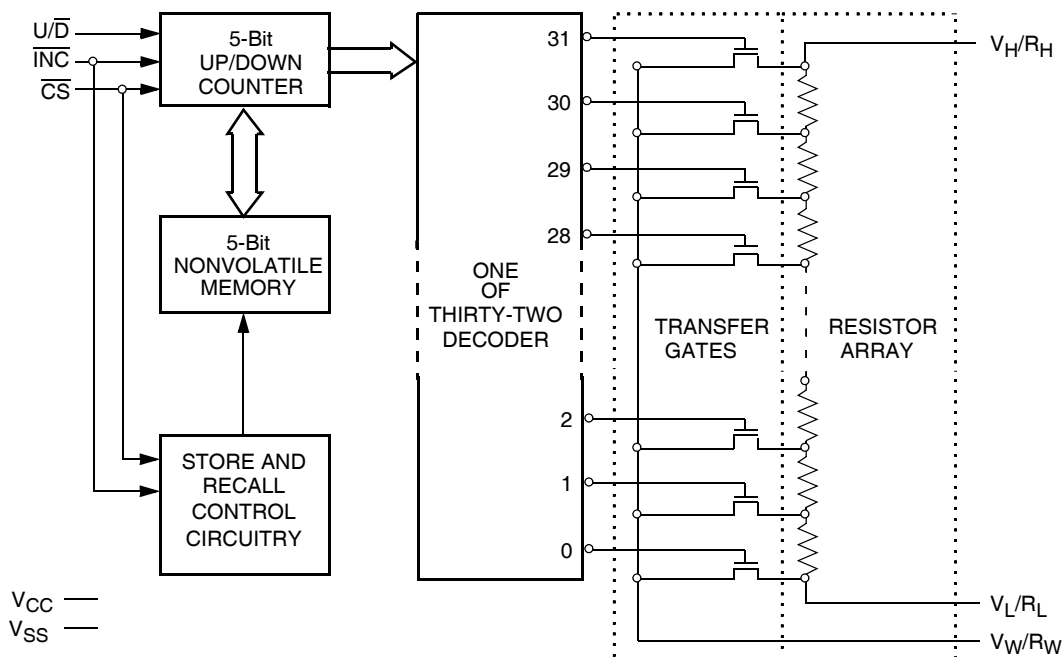
The X9314 is a resistor array composed of 31 resistive elements. Between each element and at either end are tap points accessible to the wiper element. The position of the wiper element is controlled by the  $\overline{CS}$ ,  $\overline{U/D}$ , and  $\overline{INC}$  inputs. The position of the wiper can be stored in nonvolatile memory and then be recalled upon a subsequent power-up operation.

The XDCP can be used as a three-terminal potentiometer or as a two-terminal variable resistor in a wide variety of applications including control, parameter adjustments, and signal processing.

**Features**

- Solid State Potentiometer
- 32 Taps
- 10k $\Omega$  End to End Resistance
- Three-Wire Up/Down Serial Interface
- Wiper Resistance, 40 $\Omega$  Typical
- Nonvolatile Storage and Recall on Power-up of Wiper Position Standby Current < 500 $\mu A$  Max (Total Package)
- $V_{CC} = 3V$  to 5.5V Operation
- 100 Year Data Retention
- Offered in 8 Ld MSOP and SOIC Packages
- Pb-Free Plus Anneal Available (RoHS Compliant)

**Block Diagram**



## Ordering Information

| PART NUMBER<br>(Notes 1, 2) | PART MARKING | V <sub>CC</sub> RANGE<br>(V) | R <sub>TOTAL</sub><br>(kΩ) | TEMP RANGE<br>(°C) | PACKAGE<br>(Pb-Free) | PKG.<br>DWG. # |
|-----------------------------|--------------|------------------------------|----------------------------|--------------------|----------------------|----------------|
| X9314WSIZ                   | X9314W ZI    | 5 ±10%                       | 10                         | -40 to +85         | 8 Ld SOIC            | M8.15          |
| X9314WSZ                    | X9314W Z     |                              |                            | 0 to +70           | 8 Ld SOIC            | M8.15          |
| X9314WMIZ-3                 | DEX          | 3 to 5.5                     |                            | -40 to +85         | 8 Ld MSOP            | M8.118         |
| X9314WSZ-3                  | X9314W ZD    |                              |                            | 0 to +70           | 8 Ld SOIC            | M8.15          |

### NOTES:

- Add "T1" suffix for tape and reel.
- Intersil Pb-free plus anneal products employ special Pb-free material sets; molding compounds/die attach materials and 100% matte tin plate termination finish, which are RoHS compliant and compatible with both SnPb and Pb-free soldering operations. Intersil Pb-free products are MSL classified at Pb-free peak reflow temperatures that meet or exceed the Pb-free requirements of IPC/JEDEC J STD-020.

## Pin Descriptions

### V<sub>H</sub>/R<sub>H</sub> and V<sub>L</sub>/R<sub>L</sub>

The high (V<sub>H</sub>/R<sub>H</sub>) and low (V<sub>L</sub>/R<sub>L</sub>) terminals of the X9314 are equivalent to the fixed terminals of a mechanical potentiometer. The minimum voltage is -5V and the maximum is +5V. It should be noted that the terminology of V<sub>L</sub>/R<sub>L</sub> and V<sub>H</sub>/R<sub>H</sub> references the relative position of the terminal in relation to wiper movement direction selected by the U/ $\bar{D}$  input and not the voltage potential on the terminal.

### V<sub>W</sub>/R<sub>W</sub>

V<sub>W</sub>/R<sub>W</sub> is the wiper terminal, equivalent to the movable terminal of a mechanical potentiometer. The position of the wiper within the array is determined by the control inputs. The wiper terminal series resistance is typically 40Ω.

### Up/Down (U/ $\bar{D}$ )

The U/ $\bar{D}$  input controls the direction of the wiper movement and whether the counter is incremented or decremented.

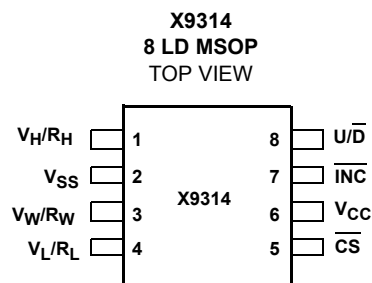
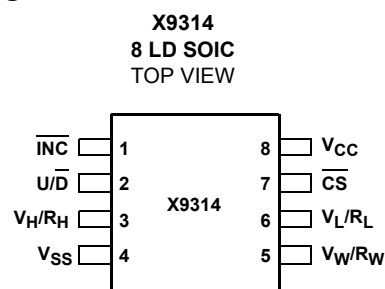
### Increment ( $\bar{INC}$ )

The  $\bar{INC}$  input is negative-edge triggered. Toggling  $\bar{INC}$  will move the wiper and either increment or decrement the counter in the direction indicated by the logic level on the U/ $\bar{D}$  input.

### Chip Select ( $\bar{CS}$ )

The device is selected when the  $\bar{CS}$  input is LOW. The current counter value is stored in nonvolatile memory when  $\bar{CS}$  is returned HIGH while the  $\bar{INC}$  input is also HIGH. After the store operation is complete the X9314 will be placed in the low power standby mode until the device is selected once again.

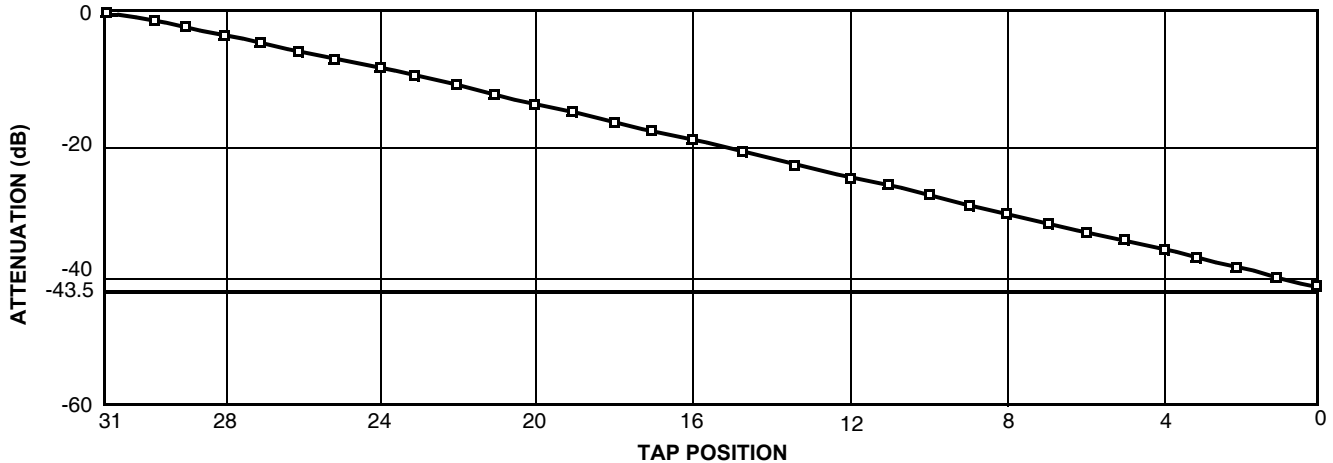
## Pin Configuration



## Pin Names

| SYMBOL                         | DESCRIPTION       |
|--------------------------------|-------------------|
| V <sub>H</sub> /R <sub>H</sub> | High Terminal     |
| V <sub>W</sub> /R <sub>W</sub> | Wiper Terminal    |
| V <sub>L</sub> /R <sub>L</sub> | Low Terminal      |
| V <sub>SS</sub>                | Ground            |
| V <sub>CC</sub>                | Supply Voltage    |
| U/ $\bar{D}$                   | Up/Down Input     |
| INC                            | Increment Input   |
| CS                             | Chip Select Input |

## Typical Attenuation Characteristics (dB)



### Principles of Operation

There are three sections of the X9314: the input control, counter and decode section; the nonvolatile memory; and the resistor array. The input control section operates just like an up/down counter. The output of this counter is decoded to turn on a single electronic switch connecting a point on the resistor array to the wiper output. Under the proper conditions the contents of the counter can be stored in nonvolatile memory and retained for future use. The resistor array is comprised of 31 individual resistors connected in series. At either end of the array and between each resistor is an electronic switch that transfers the potential at that point to the wiper.

The  $\overline{\text{INC}}$ ,  $\text{U}/\overline{\text{D}}$  and  $\overline{\text{CS}}$  inputs control the movement of the wiper along the resistor array. With  $\overline{\text{CS}}$  set LOW the X9314 is selected and enabled to respond to the

$\text{U}/\overline{\text{D}}$  and  $\overline{\text{INC}}$  inputs. HIGH to LOW transitions on  $\overline{\text{INC}}$  will increment or decrement (depending on the state of the  $\text{U}/\overline{\text{D}}$  input) a five bit counter. The output of this counter is decoded to select one of thirty-two wiper positions along the resistive array.

The wiper, when at either fixed terminal, acts like its mechanical equivalent and does not move beyond the last position. That is, the counter does not wrap around when clocked to either extreme.

The value of the counter is stored in nonvolatile memory whenever  $\overline{\text{CS}}$  transitions HIGH while the  $\overline{\text{INC}}$  input is also HIGH.

When the X9314 is powered down, the last counter position stored will be maintained in the nonvolatile memory. When power is restored, the contents of the memory are recalled and the counter is reset to the value last stored.

### Operation Notes

The system may select the X9314, move the wiper and deselect the device without having to store the latest wiper position in nonvolatile memory. The wiper movement is performed as described above; once the new position is reached, the system would keep the  $\overline{\text{INC}}$  LOW while taking  $\overline{\text{CS}}$  HIGH. The new wiper position would be maintained until changed by the system or until a power-up/down cycle recalled the previously stored data.

This would allow the system to always power up to a preset value stored in nonvolatile memory; then during system operation minor adjustments could be made. The adjustments might be based on user preference, system parameter changes due to temperature drift, etc.

The state of  $\text{U}/\overline{\text{D}}$  may be changed while  $\overline{\text{CS}}$  remains LOW. This allows the host system to enable the X9314 and then move the wiper up and down until the proper trim is attained.

### $t_{\text{IW}}/R_{\text{TOTAL}}$

The electronic switches on the X9314 operate in a “make before break” mode when the wiper changes tap positions. If the wiper is moved several positions multiple taps are connected to the wiper for  $t_{\text{IW}}$  ( $\overline{\text{INC}}$  to  $V_{\text{W}}$  change). The  $R_{\text{TOTAL}}$  value for the device can temporarily be reduced by a significant amount if the wiper is moved several positions.

### Power-up and Down Requirement

There are no restrictions on the sequencing of  $V_{\text{CC}}$  and the voltages applied to the potentiometer pins during power-up or power-down conditions. During power-up, the data sheet parameters for the DCP do not fully apply until 1 millisecond after  $V_{\text{CC}}$  reaches its final value. The  $V_{\text{CC}}$  ramp rate spec is always in effect.

**Absolute Maximum Ratings**

|  |                 |
|--|-----------------|
| Temperature under bias   | -65°C to +135°C |
| Storage temperature  | -65°C to +150°C |
| Voltage on $\overline{CS}$ , $\overline{INC}$ , U/D, and $V_{CC}$ with respect to $V_{SS}$ | -1V to +7V      |
| Voltage on $V_H/R_H$ and $V_L/R_L$ referenced to $V_{SS}$                                  | -8V to +8V      |
| $\Delta V =  V_H/R_H - V_L/R_L $   | .10V            |
| Lead temperature (soldering 10s)   | +300°C          |
| Wiper current  | $\pm 1$ mA      |
| $I_W$ (10s)  | $\pm 8.8$ mA    |

**Recommended Operating Conditions**

|                                    |                |
|------------------------------------|----------------|
| Temperature (Commercial)           | 0°C to +70°C   |
| Temperature (Industrial)           | -40°C to +85°C |
| Supply Voltage ( $V_{CC}$ ) Limits |                |
| X9314                              | 5V $\pm$ 10%   |
| X9314-2.7                          | 3V to 5.5V     |

CAUTION: Do not operate at or near the maximum ratings listed for extended periods of time. Exposure to such conditions may adversely impact product reliability and result in failures not covered by warranty.

**Potentiometer Characteristics**

Across recommended operating conditions unless otherwise specified.

| SYMBOL                  | PARAMETER  | TEST CONDITIONS/NOTES                       | LIMITS     |           |              |          |
|-------------------------|--|---|------------|-----------|--------------|----------|
|                         |  |   | MIN        | TYP       | MAX          | UNITS    |
| $R_{TOTAL}$             | End to End Resistance Tolerance                      |   |            |           | $\pm 20$     | %        |
|                         | $V_H/R_H$ Terminal Voltage                           |   | -5         |           | +5           | V        |
| $V_{VL/RL}$             | $V_L/R_L$ Terminal Voltage                           |   | -5         |           | +5           | V        |
|                         | Power Rating   | at +25°C                                    |            |           | 10           | mW       |
| $R_W$                   | Wiper Resistance                                     | $I_W = \pm 1$ mA, $V_{CC} = 5$ V            |            | 40        | 100          | $\Omega$ |
| $I_W$                   | Wiper Current  |   |            |           | $\pm 4.4$    | mA       |
|                         | Noise  | Ref: 1kHz                                   |            | -120      |              | dBV      |
|                         | Relative variation. Error in step size between taps. | $\log(R_{W(n)}) - \log R_{W(n-1)}$          | 0.07-0.003 |           | 0.07 + 0.003 |          |
|                         | $R_{TOTAL}$ Temperature Coefficient                  | for -40°C to +85°C                          |            | $\pm 600$ |              | ppm/°C   |
|                         | Ratiometric Temperature Coefficient                  |   |            |           | $\pm 20$     | ppm/°C   |
| $C_H/C_L/C_W$<br>Note 4 | Potentiometer Capacitance                            | See "Circuit #3 SPICE Macromodel" on page 5 |            | 10/10/25  | pF           |          |

© Copyright Intersil Americas LLC 2005-2014. All Rights Reserved.  
All trademarks and registered trademarks are the property of their respective owners.

For additional products, see [www.intersil.com/en/products.html](http://www.intersil.com/en/products.html)

Intersil products are manufactured, assembled and tested utilizing ISO9001 quality systems as noted in the quality certifications found at [www.intersil.com/en/support/qualandreliability.html](http://www.intersil.com/en/support/qualandreliability.html)

Intersil products are sold by description only. Intersil may modify the circuit design and/or specifications of products at any time without notice, provided that such modification does not, in Intersil's sole judgment, affect the form, fit or function of the product. Accordingly, the reader is cautioned to verify that datasheets are current before placing orders. Information furnished by Intersil is believed to be accurate and reliable. However, no responsibility is assumed by Intersil or its subsidiaries for its use; nor for any infringements of patents or other rights of third parties which may result from its use. No license is granted by implication or otherwise under any patent or patent rights of Intersil or its subsidiaries.

For information regarding Intersil Corporation and its products, see [www.intersil.com](http://www.intersil.com)

**DC Electrical Specifications** Across recommended operating conditions unless otherwise specified.

| SYMBOL                   | PARAMETER   | TEST CONDITIONS   | LIMITS |                 |                     | UNITS |
|--------------------------|---|---|--------|-----------------|---------------------|-------|
|                          |   |   | MIN    | TYP<br>(Note 3) | MAX                 |       |
| I <sub>CC</sub>          | V <sub>CC</sub> Active Current  | $\overline{CS} = V_{IL}$ , $U/\overline{D} = V_{IL}$ or $V_{IH}$ and $\overline{INC} = 0.4V/2.4V$ at max. $t_{CYC}$ |        | 1               | 3                   | mA    |
| I <sub>SB</sub>          | Standby Supply Current  | $\overline{CS} = V_{CC} - 0.3V$ , $U/\overline{D}$ and $\overline{INC} = V_{SS}$ or $V_{CC} - 0.3V$                 |        |                 | 500                 | μA    |
| I <sub>LI</sub>          | $\overline{CS}$ , $\overline{INC}$ , $U/\overline{D}$ Input Leakage Current | $V_{IN} = V_{SS}$ to $V_{CC}$   |        |                 | ±10                 | μA    |
| V <sub>IH</sub>          | $\overline{CS}$ , $\overline{INC}$ , $U/\overline{D}$ Input HIGH Voltage    |   | 2      |                 | V <sub>CC</sub> + 1 | V     |
| V <sub>IL</sub>          | $\overline{CS}$ , $\overline{INC}$ , $U/\overline{D}$ Input LOW Voltage     |   | -1     |                 | 0.8                 | V     |
| C <sub>IN</sub> (Note 4) | $\overline{CS}$ , $\overline{INC}$ , $U/\overline{D}$ Input Capacitance     | V <sub>CC</sub> = 5V, V <sub>IN</sub> = V <sub>SS</sub> , T <sub>A</sub> = +25°C, f = 1MHz                          |        |                 | 10                  | pF    |

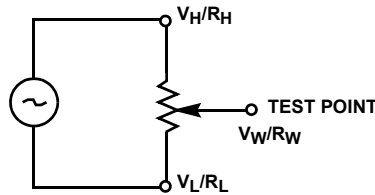
NOTES:

- 3. Typical values are for T<sub>A</sub> = +25°C and nominal supply voltage.
- 4. This parameter is periodically sampled and not 100% tested.

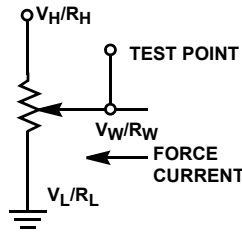
**Standard Parts**

| PART NUMBER | MAXIMUM RESISTANCE | WIPER INCREMENTS | MINIMUM RESISTANCE |
|-------------|--------------------|------------------|--------------------|
| X9314W      | 10kΩ               | Log Taper        | 40Ω                |

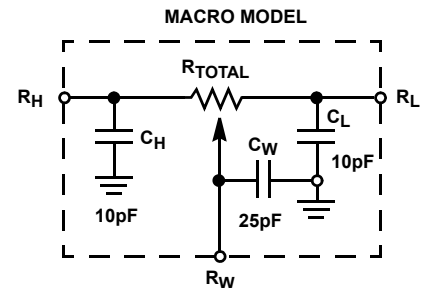
Test Circuit #1



Test Circuit #2



Circuit #3 SPICE Macromodel



**A.C. Conditions of Test**

| INPUT PULSE LEVELS        | 0V to 3V |
|---------------------------|----------|
| Input rise and fall times | 10ns     |
| Input reference levels    | 1.5V     |

**SYMBOL TABLE**

| WAVEFORM | INPUTS                      | OUTPUTS                       |
|----------|-----------------------------|-------------------------------|
|          | Must be steady              | Will be steady                |
|          | May change from Low to High | Will change from Low to High  |
|          | May change from High to Low | Will change from High to Low  |
|          | Don't Care: Changes Allowed | Changing: State Not Known     |
|          | N/A                         | Center Line is High Impedance |

**Mode Selection**

| $\overline{CS}$ | $\overline{INC}$ | $U/\overline{D}$ | MODE                        |
|-----------------|------------------|------------------|-----------------------------|
| L               |                  | H                | Wiper up                    |
| L               |                  | L                | Wiper down                  |
|                 | H                | X                | Store wiper position        |
| H               | X                | X                | Standby                     |
|                 | L                | X                | No store, return to standby |

## AC Electrical Specifications

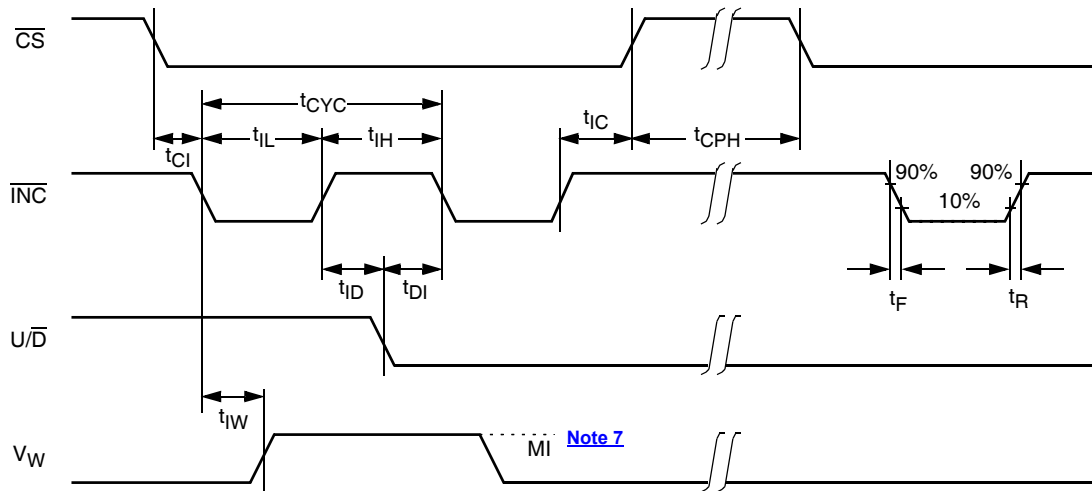
Across recommended operating conditions unless otherwise specified.

| SYMBOL              | PARAMETER   | LIMITS |              |     | UNITS       |
|---------------------|---|--------|--------------|-----|-------------|
|                     |   | MIN    | TYP(Notes 5) | MAX |             |
| $t_{CI}$            | $\overline{CS}$ to $\overline{INC}$ Setup             | 100    |              |     | ns          |
| $t_{ID}$            | $\overline{INC}$ HIGH to $U/\overline{D}$ Change      | 100    |              |     | ns          |
| $t_{DI}$            | $U/\overline{D}$ to $\overline{INC}$ Setup            | 2.9    |              |     | $\mu$ s     |
| $t_{IL}$            | $\overline{INC}$ LOW Period                           | 1      |              |     | $\mu$ s     |
| $t_{IH}$            | $\overline{INC}$ HIGH Period                          | 1      |              |     | $\mu$ s     |
| $t_{IC}$            | $\overline{INC}$ Inactive to $\overline{CS}$ Inactive | 1      |              |     | $\mu$ s     |
| $t_{CPH}$           | $\overline{CS}$ Deselect Time                         | 20     |              |     | ms          |
| $t_{IW}$            | $\overline{INC}$ to $V_W$ Change                      |        | 100          | 500 | $\mu$ s     |
| $t_{CYC}$           | $\overline{INC}$ Cycle Time                           | 4      |              |     | $\mu$ s     |
| $t_R, t_F$ (Note 6) | $\overline{INC}$ Input Rise and Fall Time             |        |              | 500 | $\mu$ s     |
| $t_{PU}$ (Note 6)   | Power-up to Wiper Stable                              |        |              | 500 | $\mu$ s     |
| $t_R V_{CC}$        | $V_{CC}$ Power-up Rate                                | 0.2    |              | 50  | mV/ $\mu$ s |

## NOTES:

- Typical values are for  $T_A = +25^\circ\text{C}$  and nominal supply voltage.
- This parameter is periodically sampled and not 100% tested.

### A.C. Timing



## NOTE:

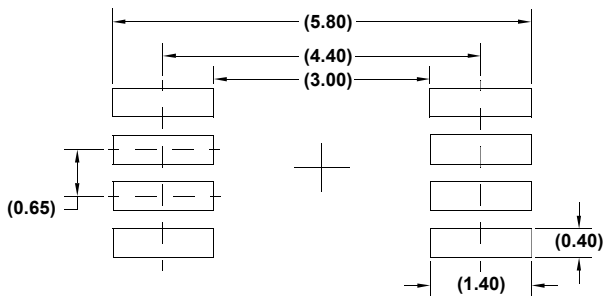
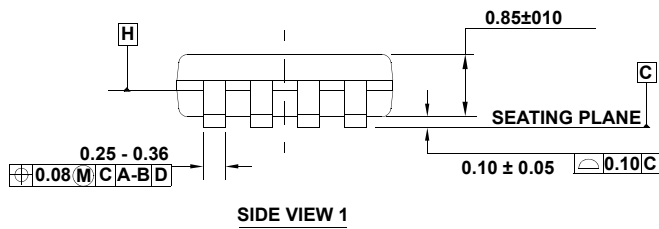
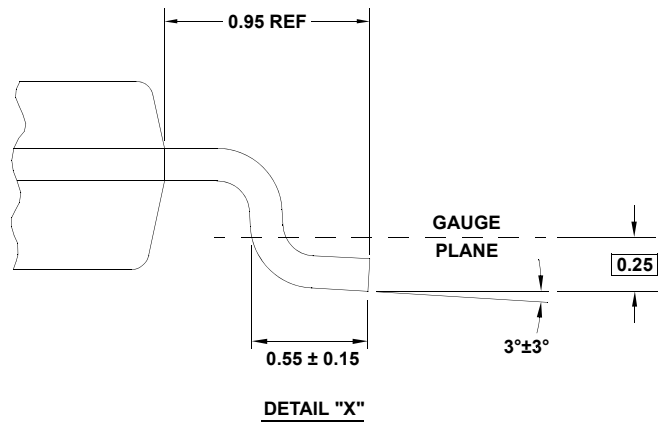
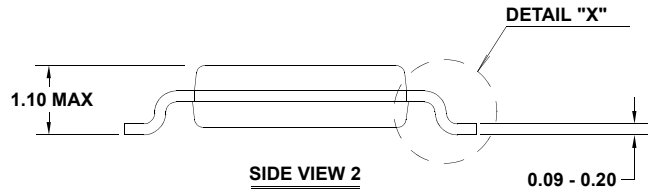
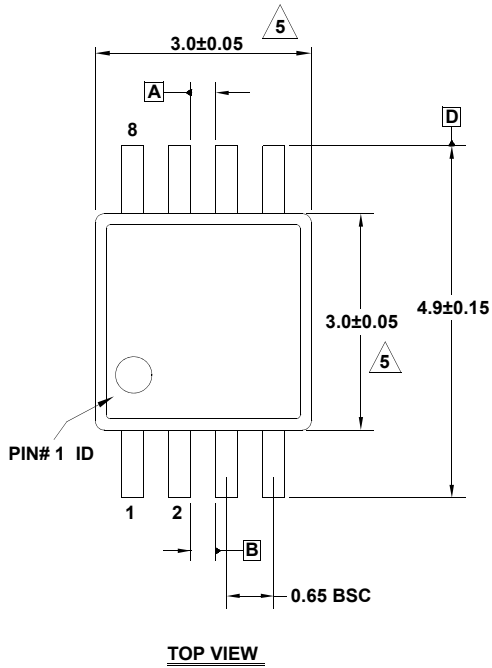
- MI in the A.C. timing diagram refers to the minimum incremental change in the  $V_W$  output due to a change in the wiper position.

# Package Outline Drawing

## M8.118

8 LEAD MINI SMALL OUTLINE PLASTIC PACKAGE

Rev 4, 7/11



**NOTES:**

1. Dimensions are in millimeters.
2. Dimensioning and tolerancing conform to JEDEC MO-187-AA and AMSEY14.5m-1994.
3. Plastic or metal protrusions of 0.15mm max per side are not included.
4. Plastic interlead protrusions of 0.15mm max per side are not included.

5. Dimensions are measured at Datum Plane "H".

6. Dimensions in ( ) are for reference only.