

XBTGC2330T

5"7 LCD TFT color controller panel - 16 inputs/16 outputs source

Product availability: Stock - Normally stocked in distribution facility



Main

Range of product	Magelis XBT GC, GT/GK with control
Product or component type	Small touch HMI controller
Display size	5.7 inch
Display type	Backlit colour TFT LCD
Display colour	65000 colours
Pixel resolution	320 x 240 pixels QVGA
Touch panel	Analogue
[Us] rated supply voltage	24 V DC
Supply	External source
Supply voltage limits	19.2...28.8 V
Enclosure material	PPT

Complementary

Backlight lifespan	50000 hours
Brightness	8 levels via touch panel
Contrast	8 levels via touch panel
Character font	Taiwanese (traditional Chinese) Japanese (ANK, Kanji) ASCII Korean Chinese (simplified Chinese)
Inrush current	<= 30 A
Power consumption in W	27 W
Local signalling	1 LED (green) normal operation
Number of pages	Limited by internal memory capacity
Software designation	SoMachine
Operating system	Magelis
Processor name	CPU RISC
Processor frequency	131 MHz
Memory description	Application memory, 16 MB Back up of data, 512 kB
Integrated connection type	1 Ethernet TCP/IP RJ45 1 USB port (V1.1) USB type A COM1 serial link male SUB-D 9 <= 115.2 kbits/s RS232C/RS422/RS485 Power supply removable screw terminal block
I/O expansion capacity	3 M238 modules
Realtime clock	Built-in
Downloadable protocols	Uni-TE Modbus TCP/IP Modbus Third party protocols
Fixing mode	By 4 screw clips (1.6...5 mm thick panel)
Marking	CE
Discrete input number	16
Discrete input voltage	24 V
Discrete input voltage type	DC
Number of common point	11/20
Input voltage limits	20.4...28.8 V

The information provided in this documentation contains general descriptions and/or technical characteristics of the products contained herein. This documentation is not intended as a substitute for and is not to be used for determining suitability or reliability of these products for specific user applications. It is the duty of any such user or integrator to perform the appropriate and complete risk analysis, evaluation and testing of the products with respect to the relevant specific application or use thereof. Neither Schneider Electric Industries SAS nor any of its affiliates or subsidiaries shall be responsible or liable for misuse of the information contained herein.

Discrete input logic	Source
Discrete input current	5 mA on other IO.i 6.5 mA on IO.0, IO.2, IO.4, IO.6
Input impedance	3.7 kOhm on IO.0, IO.2, IO.4, IO.6 4.7 kOhm on other IO.i
Filter time	0.5...20 ms at state 0 0.5...20 ms at state 1
Isolation between channels	None
Discrete output number	16
Discrete output type	Transistor
Discrete output voltage	24 V
Output voltage limits	20.4...28.8 V
Discrete output logic	Source
Discrete output current	0.2 A
Current per output common	1.6 A
Response time	5 µs at state 0 Q0.0...Q0.3 5 µs at state 1 Q0.0...Q0.3 500 µs at state 0 other Q0.i 500 µs at state 1 other Q0.i
[Ures] residual voltage	<= 0.5 V at state 1
Leakage current	0.1 mA
Short-circuit protection	2.5 A fuse
Height	5.31 in (135 mm)
Width	6.59 in (167.4 mm)
Depth	3.06 in (77.6 mm)
Product weight	2.2 lb(US) (1 kg)

Environment

Immunity to microbreaks	<= 3 ms
Standards	IEC 61000-6-2 UL 508 CSA C22.2 No 14 UL 1604 EN 61131-2 FCC Class A
Product certifications	C-Tick CULus UL class 1 Div2 T4A ou T5 CSA
Ambient air temperature for operation	32...122 °F (0...50 °C)
Ambient air temperature for storage	-4...140 °F (-20...60 °C)
Relative humidity	10...90 % without condensation
Operating altitude	<= 6561.68 ft (2000 m)
IP degree of protection	IP20 (rear panel) conforming to IEC 60529 IP65 (front panel) conforming to IEC 60529
NEMA degree of protection	NEMA 4X (front panel)
Shock resistance	147 m/s ² conforming to IEC 60068-2-27
Vibration resistance	+/- 3.5 mm (f = 5...9 Hz conforming to IEC 60068-2-6 1 gn (f = 9...150 Hz conforming to IEC 60068-2-6)
Resistance to electromagnetic fields	Conforming to IEC 61000-4-3

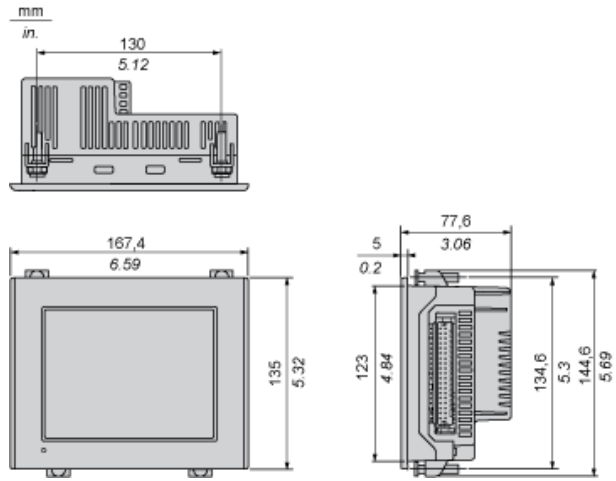
Ordering and shipping details

Category	22568 - HMI CONTROLLERS
Discount Schedule	MC2
GTIN	00785901104544
Nbr. of units in pkg.	1
Package weight(Lbs)	3.1899999999999999
Returnability	Y
Country of origin	CN

Offer Sustainability

RoHS (date code: YYWW)	Compliant - since 1342 - Schneider Electric declaration of conformity Schneider Electric declaration of conformity
REACH	Reference not containing SVHC above the threshold
California proposition 65	WARNING: This product can expose you to chemicals including:
- - - - - Substance 1	Lead and lead compounds, which is known to the State of California to cause cancer and birth defects or other reproductive harm.
- - - - - More information	For more information go to www.p65warnings.ca.gov

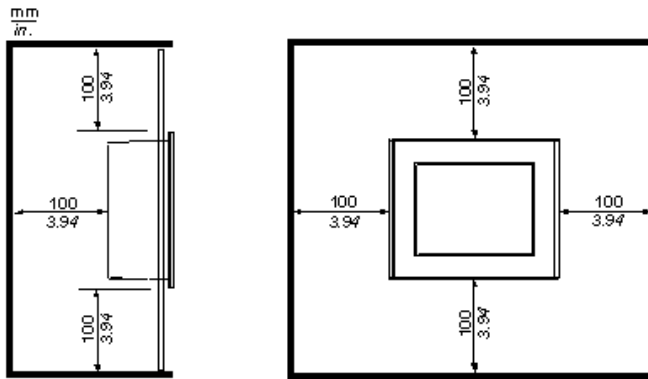
Dimensions



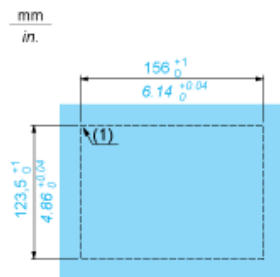
Clearance

Installation Requirements

For easier maintenance, operation and improved ventilation, be sure to install the unit at least 100 mm (3.94 in) away from adjacent structures and other equipment:



Panel Cut-out Dimensions



(1) $r < 3$