



Main

Range of Product	Magelis XBTN
Product or Component Type	Small panel with keypad
Display Resolution	122 x 32 pixels
Software Type	Configuration software
Software Designation	Vijeo Designer Lite
Operating System	Magelis

Complementary

Display Type	Extra-bright matrix backlit LCD
Display colour	Green
Character font	ASCII Katakana Cyrillic Greek Chinese (simplified Chinese)
[Us] rated supply voltage	24 V DC
Supply	External source
Supply voltage limits	18...30 V
Residual ripple	1200 mV
Power Consumption in W	5 W
Number of key	8
Number of fixed keys	4
Number of customisable keys	4
Number of pages	256 alarm pages 200 application pages
Memory type	Flash
Memory capacity	512 kB
Integrated connection type	Power supply removable screw terminal block Serial link female SUB-D 25, asynchronous RS232C/RS485)multidrop
Realtime clock	Access to the PLC real-time clock
Product mounting	Flush mounting
Fixing Mode	By 2 spring clips
Display material	Polyester
Front material	PPT
Keypad material	Polyester
Marking	CE
Width	5.20 in (132 mm)
Height	2.91 in (74 mm)
Depth	1.69 in (43 mm)
Cut-out dimensions	119.4 (+/- 0.5) x 63 (+/- 0.4) mm

Environment

Messages display capacity	1 line of 5 characters minimum 4 lines of 20 characters maximum
Downloadable protocols	Modbus
Standards	IEC 60068-2-27 IEC 61131-2 CSA C22.2 No 14 IEC 60068-2-6 UL 508
Product Certifications	UL 1604 UL Class 1 Division 2 CSA Class 1 Division 2 ATEX zone 2/22
Ambient air temperature for operation	32...131 °F (0...55 °C)
Ambient Air Temperature for Storage	-4...140 °F (-20...60 °C)
Relative humidity	0...85 % without condensation
IP degree of protection	IP20 IEC 60529 rear panel) IP65 IEC 60529 front panel)
NEMA degree of protection	NEMA 4X front panel outdoor use)
Shock resistance	15 gn 11 ms

Ordering and shipping details

Category	22398 - TESYS U - MULTI-FCTN CTRL MOD(LUCM)
Discount Schedule	I11
GTIN	3389110379976
Nbr. of units in pkg.	1
Package weight(Lbs)	15.91 oz (451 g)
Returnability	No
Country of origin	CN

Packing Units

Unit Type of Package 1	PCE
Package 1 Height	1.97 in (50 mm)
Package 1 width	6.30 in (160 mm)
Package 1 Length	9.17 in (233 mm)

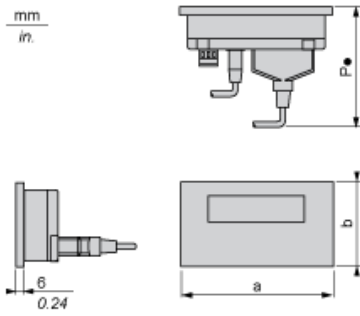
Offer Sustainability

California proposition 65	WARNING: This product can expose you to chemicals including: Lead and lead compounds, which is known to the State of California to cause cancer and birth defects or other reproductive harm. For more information go to www.P65Warnings.ca.gov
REACH Regulation	REACH Declaration
REACH free of SVHC	Yes
EU RoHS Directive	Pro-active compliance (Product out of EU RoHS legal scope) EU RoHS Declaration
Mercury free	Yes
RoHS exemption information	Yes
China RoHS Regulation	China RoHS Declaration
WEEE	The product must be disposed on European Union markets following specific waste collection and never end up in rubbish bins.

Contractual warranty

Warranty	18 months
----------	-----------

Dimensions



a		b		b1 (1)		P2 (2)	
mm	in.	mm	in.	mm	in.	mm	in.
132	5.19	74	3	104	4.09	104	4.09

(1) With fixing clips (included with product)

(2) P2: depth with 25-way SUB-D cable XBTZ938 (for TeSys model U and ATV 61/71 drives)