

# XBTR400

small panel with keypad - matrix screen - green  
- 122 x 32 pixels - 5 V DC

Product availability: Non-Stock - Not normally stocked in distribution facility



## Main

Range of product	Magelis XBTR
Display resolution	122 x 32 pixels
Software type	Configuration software
Software designation	Vijeo Designer Lite
Operating system	Windows

## Complementary

Display type	Matrix backlit LCD
Character font	Cyrillic Katakana Greek Chinese (simplified Chinese) Latin
Number of key	20
Number of fixed keys	8
Number of customisable keys	12
Number of pages	256 alarm pages 200 application pages
Memory type	Flash
Memory capacity	512 kB
Integrated connection type	Serial link : female RJ45, asynchronous transmission mode (RS232C/RS485) point-to-point topology
Realtime clock	Access to the PLC real-time clock
Range compatibility	Modicon Premium Twido Modicon M340 Modicon TSX Micro
Product mounting	Flush mounting
Fixing mode	By 4 spring clips
Display material	Polyester
Front material	PPT
Keypad material	Polyester
Marking	CE
Height	4.65 in (118 mm)
Width	5.39 in (137 mm)
Depth	3.07 in (78 mm)
Cut-out dimensions	119.6 (+/- 0.5) x 105.2 (+/- 0.4) mm
Product weight	1.21 lb(US) (0.55 kg)

The information provided in this documentation contains general descriptions and/or technical characteristics of the performance of the products contained herein. This documentation is not intended as a substitute for and is not to be used for determining suitability or reliability of these products for specific user applications. It is the duty of any such user or integrator to perform the appropriate and complete risk analysis, evaluation and testing of the products with respect to the relevant specific application or use thereof. Neither Schneider Electric Industries SAS nor any of its affiliates or subsidiaries shall be responsible or liable for misuse of the information contained herein.

## Environment

Product or component type	Small panel with keypad
Display colour	Green
Display capacity	4 lines of 20 characters maximum 1 line of 5 characters minimum
[Us] rated supply voltage	5 V DC
Supply	From PLC (terminal port)
Downloadable protocols	Modbus Uni-TE
Standards	IEC 61131-2 UL 508 IEC 60068-2-27 CSA C22.2 No 14 IEC 60068-2-6
Product certifications	CSA Class 1 Division 2 ATEX zone 2/22 UL 1604 UL Class 1 Division 2
Ambient air temperature for operation	32...131 °F (0...55 °C)
Ambient air temperature for storage	-4...140 °F (-20...60 °C)
Relative humidity	0...85 % without condensation
IP degree of protection	IP20 (rear panel) conforming to IEC 60529 IP65 (front panel) conforming to IEC 60529
NEMA degree of protection	NEMA 4X (front panel) outdoor use
Shock resistance	15 gn 11 ms
Vibration resistance	+/- 3.5 mm (f = 2...8.45 Hz) 1 gn (f = 8.45...150 Hz)

## Ordering and shipping details

Category	22570 - MAGELIS TEXT DISPLAYS & ACCESS
Discount Schedule	MC2
GTIN	00785901602620
Nbr. of units in pkg.	1
Package weight(Lbs)	1.1100000000000001
Returnability	N
Country of origin	CN

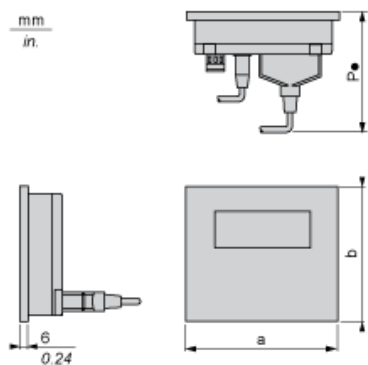
## Offer Sustainability

RoHS (date code: YYWW)	Compliant - since 0651 - Schneider Electric declaration of conformity <a href="#">Schneider Electric declaration of conformity</a>
REACH	Reference not containing SVHC above the threshold
California proposition 65	WARNING: This product can expose you to chemicals including:
----- Substance 1	Lead and lead compounds, which is known to the State of California to cause cancer and birth defects or other reproductive harm.
----- More information	For more information go to <a href="http://www.p65warnings.ca.gov">www.p65warnings.ca.gov</a>

## Contractual warranty

Warranty period	18 months
-----------------	-----------

Dimensions



a		a1 (1)		b		b1 (1)		P1 (2)	
mm	in.	mm	in.	mm	in.	mm	in.	mm	in.
137	5.39	160	6.29	118	5	146	6	78	3.07
(1) With fixing clips (included with product) (2) P1: depth with RJ45 cable XBTZ9780 (for Twido, TSX Micro and Premium)									