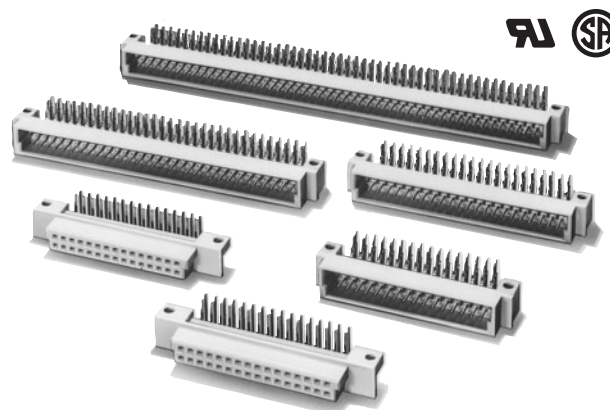


Expanding the DIN Concept

- Mates with DIN connectors.
- Ideal for automated soldering because the Connectors sit on top of the board.
- Mounting dimensions of the DIN Style-1 Connectors are the same as the DIN connector.
- DIN Style-2 Connectors have widened dimensions for ease of mounting.
- Conform to UL standards (file no. E103202) and CSA standards (file no. LR 62678). (Except XC5K models)



RoHS Compliant

■ Ratings and Characteristics

Rated current	2 A
Rated voltage	300 VAC
Contact resistance	20 mΩ max. (at 20 mV, 100 mA max.)*
Insulation resistance	10 ⁶ MΩ min. (at 100 VDC)
Dielectric strength	1,000 VAC for 1 min (leakage current: 1 mA max.)
Total insertion force	0.59 N max. per contact
Removal force	0.15 N min. (with test gauge, t = 0.56 mm)
Insertion durability	50 times
Ambient operating temperature	Operating: -55 to 125°C (with no icing)

*The XC5K is 30mΩ max. (at 20 mV DC max., 100 mA max.)

■ Materials and Finish

Type	Plugs	Sockets
Housings	Fiber-glass reinforced PBT resin (UL94V-0)/gray	
Contacts	Mating end	Phosphor bronze/nickel base, 0.15-μm gold plating
	Terminal	Phosphor bronze/nickel base, 2.0-μm tin plating

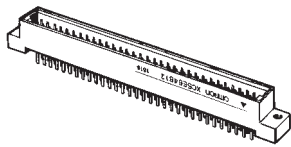
XC5E Double-row Plugs, DIN Style 2

■ Dimensions

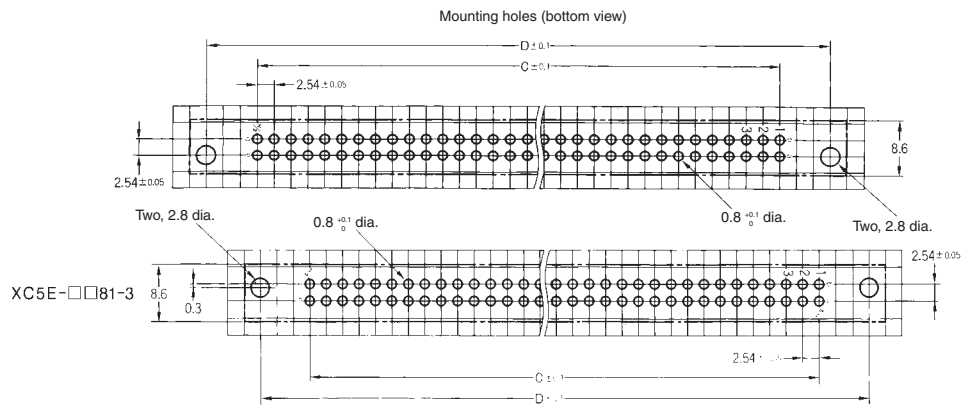
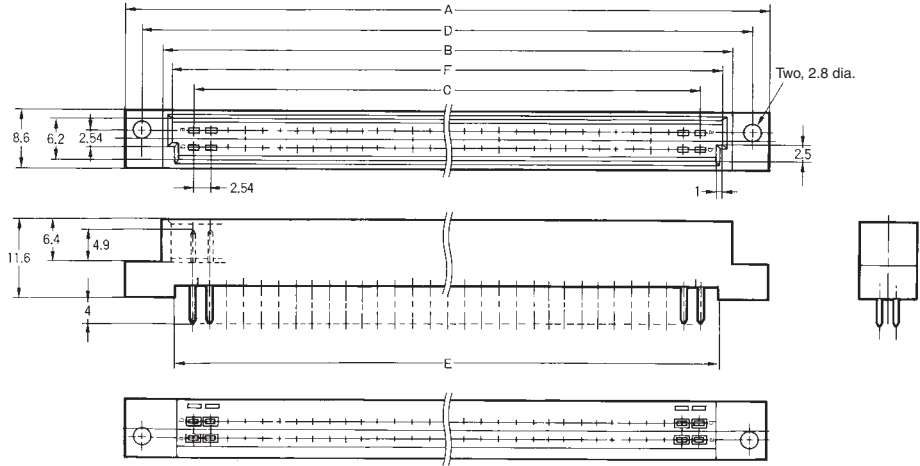
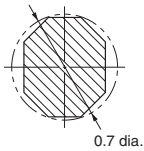
(unit: mm)

(Dimensions are given for the XC5E-□□81-2. The dimensions and shape of the XC5E-□□81-3 are different.)

XC5E-□□81-2
XC5E-□□81-3
(With straight DIP terminals)



XC5E
DIP terminal cross-section view



Note: Contact numbers are not marked on the product.

Dimensions

No. of contacts	Dimensions (mm)					
	A	B	C	D	E	F
10*	26.2	19.4	10.16	21.42	15.4	16.6
14*	31.3	24.5	15.24	26.50	20.4	21.7
20	43.0	32.1	22.86	38.10	28.1	29.3
24*	44.0	37.2	27.94	39.20	33.1	34.4
30	55.7	44.8	35.56	50.80	40.8	42.0
32	58.2	47.4	38.10	53.34	43.3	44.6
44	73.5	62.6	53.34	68.58	58.5	59.8
50	81.1	70.2	60.96	76.20	66.2	67.4
64	98.9	88.0	78.74	93.98	83.9	85.2
100	144.6	133.7	124.46	139.70	129.7	130.9

Note: Marked items are XC5E-□□81-3. Contact your OMRON representative about mounting hole positions because they will vary with the model.

■ Ordering Information

No. of contacts	Terminal type	Model
10	Straight DIP terminals	XC5E-1081-3
14		XC5E-1481-3
20		XC5E-2081-2
24		XC5E-2481-3
30		XC5E-3081-2
32		XC5E-3281-2
44		XC5E-4481-2
50		XC5E-5081-2
64		XC5E-6481-2
100		XC5E-0181-2

Note: Coding with these Connectors is not possible because Coding Keys are not provided. The housing of the XC5E-□□81-2 is different from that of the XC5E-□□81-3. Both edges of the mating side of Triple-row Connectors are open.