

## Voltage Detector with Delay Time Adjustable

## ■ GENERAL DESCRIPTION

The XC6119 series is a highly precise, low power consumption voltage detector, manufactured using CMOS and laser trimming technologies.

The device includes the built-in delay circuit. A release delay time can be set freely by connecting an external delay capacitor to the Cd pin.

The device using an ultra small package (USPN-4) is suited for high density mounting applications.

Both CMOS and N-channel open drain output configurations are available.

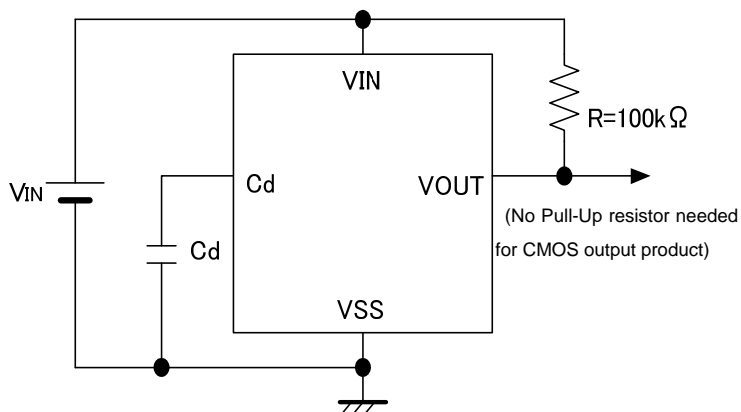
## ■ APPLICATIONS

- Microprocessor reset circuitry
- Charge voltage monitors
- Memory battery back-up switch circuits
- Power failure detection circuits

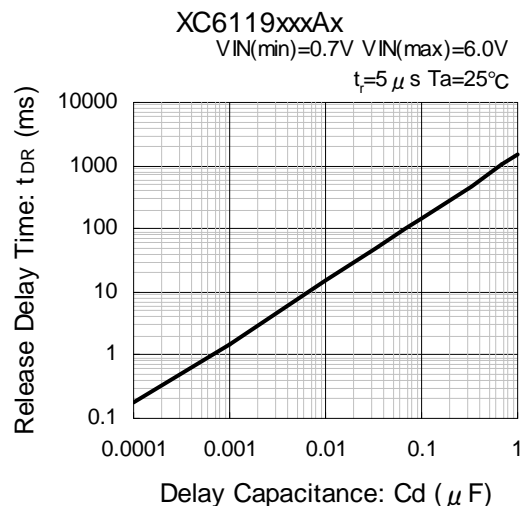
## ■ FEATURES

|   |   |
|---|---|
| <b>High Accuracy</b>                              | : $\pm 2\%$<br>(Detection Voltage $\geq 1.5V$ )<br>$\pm 30mV$<br>(Detection Voltage $< 1.5V$ )  |
| <b>Low Power Consumption</b>                      | : $0.5 \mu A$ TYP. in detect state<br>( $V_{DF}=1.0V$ , $V_{IN}=0.9V$ )<br>$0.9 \mu A$ TYP. in release state<br>( $V_{DF}=1.0V$ , $V_{IN}=1.1V$ ) |
| <b>Detect Voltage Options</b>                     | : $0.8V \sim 5.0V$ ( $0.1V$ increments)   |
| <b>Operating Voltage Range</b>                    | : $0.7V \sim 6.0V$  |
| <b>Detect Voltage Temperature Characteristics</b> | : $\pm 100ppm/^{\circ}C$ TYP.   |
| <b>Output Configuration</b>                       | : CMOS or<br>N-channel open drain   |
| <b>Built-In Delay Circuit</b>                     | : Delay Time Adjustable   |
| <b>Operating Ambient Temperature</b>              | : $-40^{\circ}C \sim +85^{\circ}C$  |
| <b>Packages</b>                                   | : SSOT-24, USPN-4   |
| <b>Environmentally Friendly</b>                   | : EU RoHS Compliant, Pb Free  |

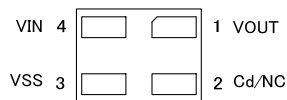
## ■ TYPICAL APPLICATION CIRCUIT ■ TYPICAL PERFORMANCE CHARACTERISTICS



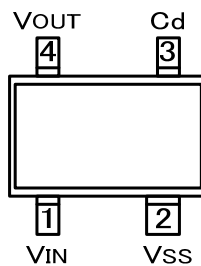
### ● Release Delay Time vs. Delay Capacitance



## PIN CONFIGURATION



USPN-4  
(BOTTOM VIEW)



SSOT-24  
(TOP VIEW)

## PIN ASSIGNMENT

| PIN NUMBER |         | PIN NAME | FUNCTION            |
|------------|---------|----------|---------------------|
| USPN-4     | SSOT-24 |          |                     |
| 1          | 4       | VOUT     | Output (Detect "L") |
| 2          | 3       | Cd       | Delay Capacitance   |
| 3          | 2       | VSS      | Ground              |
| 4          | 1       | VIN      | Input               |

## PRODUCT CLASSIFICATION

### Ordering Information

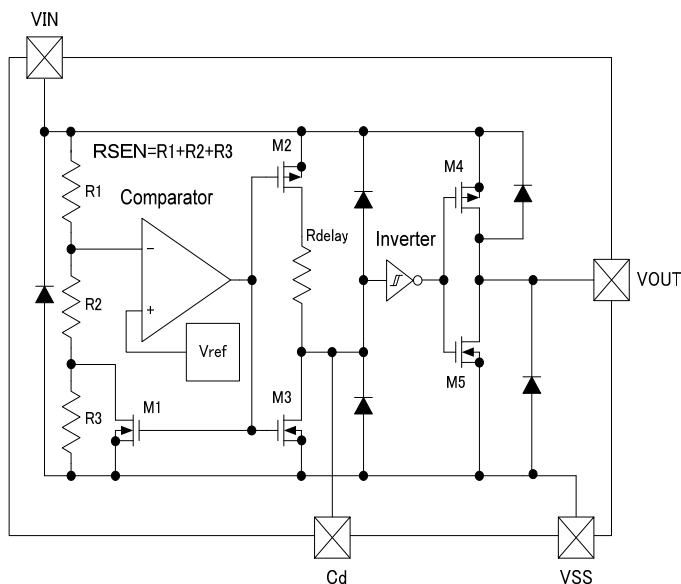
XC6119①②③④⑤⑥-⑦<sup>(\*)</sup>

| DESIGNATOR | ITEM                      | SYMBOL  | DESCRIPTION                               |
|------------|---------------------------|---------|---|
| ①          | Output Configuration      | C       | CMOS output                               |
|            |                           | N       | N-ch open drain output                    |
| ②③         | Detect Voltage            | 08 ~ 50 | e.g. 18→1.8V                              |
| ④          | Output Delay & Hysteresis | A       | Built-in delay pin & hysteresis 5% (TYP.) |
| ⑤⑥-⑦       | Packages (Order Unit)     | 7R-G    | USPN-4 (5,000/Reel)                       |
|            |                           | NR-G    | SSOT-24 (3,000/Reel)                      |

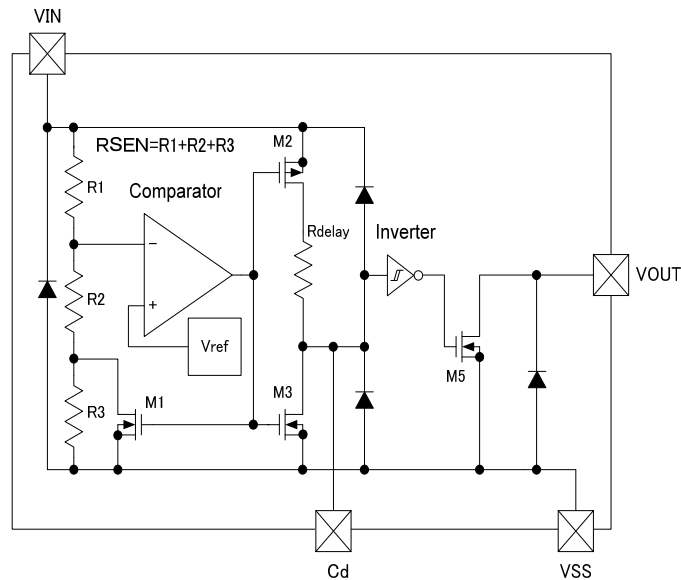
<sup>(\*)</sup> The "-G" suffix denotes Halogen and Antimony free as well as being fully RoHS compliant.

## ■ BLOCK DIAGRAMS

(1) XC6119C (CMOS Output)



(2) XC6119N (N-ch Open Drain Output)



\* Diodes inside the circuits are ESD protection diodes and parasitic diodes.

## ■ ABSOLUTE MAXIMUM RATINGS

Ta=25°C

| PARAMETER                     |              | SYMBOL           | RATINGS                                   | UNITS |
|-------------------------------|--------------|------------------|---|-------|
| Input Voltage                 |              | V <sub>IN</sub>  | V <sub>SS</sub> -0.3~+7.0                 | V     |
| Output Current                |              | I <sub>OUT</sub> | 10  | mA    |
| Output Voltage                | XC6119C (*1) | V <sub>OUT</sub> | V <sub>SS</sub> -0.3~V <sub>IN</sub> +0.3 | V     |
|                               | XC6119N (*2) |                  | V <sub>SS</sub> -0.3~+7.0                 |       |
| Delay Pin Voltage             |              | V <sub>CD</sub>  | V <sub>SS</sub> -0.3~V <sub>IN</sub> +0.3 | V     |
| Delay Pin Current             |              | I <sub>CD</sub>  | 5.0                                       | mA    |
| Power Dissipation             | USPN-4 *     | P <sub>d</sub>   | 100                                       | mW    |
|                               | SSOT-24      |                  | 150                                       |       |
| Operating Ambient Temperature |              | T <sub>a</sub>   | -40~+85                                   | °C    |
| Storage Temperature           |              | T <sub>stg</sub> | -55~+125                                  | °C    |

NOTE:

\*1: CMOS output

\*2: N-ch open drain output

## ELECTRICAL CHARACTERISTICS

Ta=25°C

| PARAMETER                                     |                        | SYMBOL   | CONDITIONS   | MIN.                      | TYP.                      | MAX.                      | UNIT   | CIRCUIT |
|---|------------------------|--|--|---------------------------|---------------------------|---------------------------|--------|---------|
| Operating Voltage                             |                        | V <sub>IN</sub>                                | V <sub>DF(T)</sub> =0.8~5.0V <sup>(*)1</sup>   | 0.7                       |                           | 6.0                       | V      | -       |
| Detect Voltage                                |                        | V <sub>DF</sub>                                | V <sub>DF(T)</sub> =0.8~5.0V   | E-1                       |                           |                           | V      | ①       |
| Hysteresis Width                              |                        | V <sub>HYS</sub>                               | V <sub>IN</sub> =1.0~6.0V  | V <sub>DF</sub><br>× 0.02 | V <sub>DF</sub><br>× 0.05 | V <sub>DF</sub><br>× 0.08 | V      | ①       |
| Supply Current 1                              |                        | I <sub>SS1</sub>                               | V <sub>IN</sub> =V <sub>DF</sub> × 0.9<br>V <sub>DF(T)</sub> =0.8~1.9V<br>V <sub>DF(T)</sub> =2.0~3.9V<br>V <sub>DF(T)</sub> =4.0~5.0V |                           | 0.5<br>0.6<br>0.7         | 1.2<br>1.3<br>1.4         | μA     | ②       |
| Supply Current 2                              |                        | I <sub>SS2</sub>                               | V <sub>IN</sub> =V <sub>DF</sub> × 1.1<br>V <sub>DF(T)</sub> =0.8~1.9V<br>V <sub>DF(T)</sub> =2.0~3.9V<br>V <sub>DF(T)</sub> =4.0~5.0V |                           | 0.9<br>1.1<br>1.2         | 1.8<br>2.0<br>2.2         | μA     | ②       |
| Output Current                                |                        | I <sub>OUT1</sub>                              | V <sub>IN</sub> =0.7V<br>V <sub>DS</sub> =0.5V(Nch)  | 0.01                      | 0.36                      |                           | mA     | ③       |
|   |                        |  | V <sub>IN</sub> =1.0V(※2)<br>V <sub>DS</sub> =0.5V(Nch)  | 0.1                       | 0.7                       |                           |        |         |
|   |                        |  | V <sub>IN</sub> =2.0V(※3)<br>V <sub>DS</sub> =0.5V(Nch)  | 0.8                       | 1.6                       |                           |        |         |
|   |                        |  | V <sub>IN</sub> =3.0V(※4)<br>V <sub>DS</sub> =0.5V(Nch)  | 1.2                       | 2.0                       |                           |        |         |
|   |                        |  | V <sub>IN</sub> =4.0V(※5)<br>V <sub>DS</sub> =0.5V(Nch)  | 1.6                       | 2.3                       |                           |        |         |
|   |                        | I <sub>OUT2</sub><br>( <sup>*6</sup> )         | V <sub>IN</sub> =V <sub>DF</sub> × 1.1<br>V <sub>DS</sub> =0.5V(Pch)   | E-2                       |                           |                           |        | mA      |
| Leakage Current                               | CMOS output (P-ch)     | I <sub>LEAK</sub>                              | V <sub>IN</sub> = V <sub>DF</sub> × 0.9V, V <sub>OUT</sub> = 0V,<br>Cd: Open   |                           | -0.20                     |                           | μA     | ③       |
|   | N-ch Open Drain Output |  | V <sub>IN</sub> = 6.0V, V <sub>OUT</sub> = 6.0V,<br>Cd: Open   |                           | 0.20                      | 0.40                      |        |         |
| Temperature Characteristics                   |                        | ΔV <sub>DF</sub> /<br>(ΔTa · V <sub>DF</sub> ) | -40°C ≤ T <sub>a</sub> ≤ 85°C  |                           | ±100                      |                           | ppm/°C | ①       |
| Delay Resistance <sup>(*)7</sup>              |                        | R <sub>DELAY</sub>                             | V <sub>IN</sub> =6.0V, Cd=0V   | 1.6                       | 2.0                       | 2.4                       | MΩ     | ⑤       |
| Delay Pin Sink Current                        |                        | I <sub>CD</sub>                                | Cd=0.5V, V <sub>IN</sub> =0.7V   | 8                         | 60                        |                           | μA     | ⑤       |
| Delay Capacitance Pin Threshold Voltage       |                        | V <sub>TCd</sub>                               | V <sub>IN</sub> =1.0V  | 0.4                       | 0.5                       | 0.6                       | V      | ⑥       |
|   |                        |  | V <sub>IN</sub> =6.0V  | 2.9                       | 3.0                       | 3.1                       |        |         |
| Unspecified Operating Voltage <sup>(*)8</sup> |                        | V <sub>UNS</sub>                               | V <sub>IN</sub> =0~0.7V  |                           | 0.3                       | 0.4                       | V      | ⑦       |
| Detect Delay Time <sup>(*)9</sup>             |                        | t <sub>DF0</sub>                               | V <sub>IN</sub> =6.0→0.7V<br>Cd: Open  |                           | 30                        | 230                       | μs     | ⑧       |
| Detect Delay Time <sup>(*)9</sup>             |                        | t <sub>DR0</sub>                               | V <sub>IN</sub> =0.7V→6.0V<br>Cd: Open   |                           | 30                        | 200                       | μs     | ⑧       |

NOTE:

\*1: V<sub>DF(T)</sub>: Setting Detect Voltage

\*2: V<sub>DF(T)</sub>>1.0V

\*3: V<sub>DF(T)</sub>>2.0V

\*4: V<sub>DF(T)</sub>>3.0V

\*5: V<sub>DF(T)</sub>>4.0V

\*6: This numerical value is applied only to the XC6119C series (CMOS output).

\*7: Calculated from the voltage value and the current value of both ends of the resistor.

\*8: The maximum voltage of the V<sub>OUT</sub> in the range of the V<sub>IN</sub> 0 to 0.7V. This numerical value is applied only to the XC6119C series (CMOS output).

\*9: Time which ranges from the state of V<sub>IN</sub> = V<sub>DF</sub> to the V<sub>OUT</sub> reaching 0.6V when the V<sub>IN</sub> falls without connecting to the Cd pin.

\*10: Time which ranges from the state of V<sub>IN</sub> = V<sub>DF</sub> + V<sub>HYS</sub> to the V<sub>OUT</sub> reaching 5.4V when the V<sub>IN</sub> rises without connecting to the Cd pin.

## ■ VOLTAGE CHART

| SYMBOL                       | E-1                           |      |       | E-2                           |       |
|------------------------------|-------------------------------|------|-------|-------------------------------|-------|
| PARAMETER                    | DETECT VOLTAGE <sup>(*)</sup> |      |       | OUTPUT CURRENT <sup>(*)</sup> |       |
| SETTING<br>DETECT<br>VOLTAGE | (V)                           |      |       | (mA)                          |       |
| V <sub>DF(T)</sub>           | V <sub>DF</sub>               |      |       | I <sub>OUT2</sub>             |       |
|                              | MIN.                          | TYP. | MAX.  | MIN.                          | TYP.  |
| 0.8                          | 0.770                         | 0.8  | 0.830 | -0.40                         | -0.20 |
| 0.9                          | 0.870                         | 0.9  | 0.930 |                               |       |
| 1.0                          | 0.970                         | 1.0  | 1.030 |                               |       |
| 1.1                          | 1.070                         | 1.1  | 1.130 | -0.60                         | -0.30 |
| 1.2                          | 1.170                         | 1.2  | 1.230 |                               |       |
| 1.3                          | 1.270                         | 1.3  | 1.330 |                               |       |
| 1.4                          | 1.370                         | 1.4  | 1.430 |                               |       |
| 1.5                          | 1.470                         | 1.5  | 1.530 | -0.80                         | -0.40 |
| 1.6                          | 1.568                         | 1.6  | 1.632 |                               |       |
| 1.7                          | 1.666                         | 1.7  | 1.734 |                               |       |
| 1.8                          | 1.764                         | 1.8  | 1.836 |                               |       |
| 1.9                          | 1.862                         | 1.9  | 1.938 |                               |       |
| 2.0                          | 1.960                         | 2.0  | 2.040 | -1.00                         | -0.50 |
| 2.1                          | 2.058                         | 2.1  | 2.142 |                               |       |
| 2.2                          | 2.156                         | 2.2  | 2.244 |                               |       |
| 2.3                          | 2.254                         | 2.3  | 2.346 |                               |       |
| 2.4                          | 2.352                         | 2.4  | 2.448 |                               |       |
| 2.5                          | 2.450                         | 2.5  | 2.550 |                               |       |
| 2.6                          | 2.548                         | 2.6  | 2.652 |                               |       |
| 2.7                          | 2.646                         | 2.7  | 2.754 |                               |       |
| 2.8                          | 2.744                         | 2.8  | 2.856 |                               |       |
| 2.9                          | 2.842                         | 2.9  | 2.958 |                               |       |
| 3.0                          | 2.940                         | 3.0  | 3.060 | -1.20                         | -0.60 |
| 3.1                          | 3.038                         | 3.1  | 3.162 |                               |       |
| 3.2                          | 3.136                         | 3.2  | 3.264 |                               |       |
| 3.3                          | 3.234                         | 3.3  | 3.366 |                               |       |
| 3.4                          | 3.332                         | 3.4  | 3.468 |                               |       |
| 3.5                          | 3.430                         | 3.5  | 3.570 |                               |       |
| 3.6                          | 3.528                         | 3.6  | 3.672 |                               |       |
| 3.7                          | 3.626                         | 3.7  | 3.774 |                               |       |
| 3.8                          | 3.724                         | 3.8  | 3.876 |                               |       |
| 3.9                          | 3.822                         | 3.9  | 3.978 | -1.30                         | -0.65 |
| 4.0                          | 3.920                         | 4.0  | 4.080 |                               |       |
| 4.1                          | 4.018                         | 4.1  | 4.182 |                               |       |
| 4.2                          | 4.116                         | 4.2  | 4.284 |                               |       |
| 4.3                          | 4.214                         | 4.3  | 4.386 |                               |       |
| 4.4                          | 4.321                         | 4.4  | 4.488 |                               |       |
| 4.5                          | 4.410                         | 4.5  | 4.590 |                               |       |
| 4.6                          | 4.508                         | 4.6  | 4.692 |                               |       |
| 4.7                          | 4.606                         | 4.7  | 4.794 |                               |       |
| 4.8                          | 4.704                         | 4.8  | 4.896 |                               |       |
| 4.9                          | 4.802                         | 4.9  | 4.998 |                               |       |
| 5.0                          | 4.900                         | 5.0  | 5.100 |                               |       |

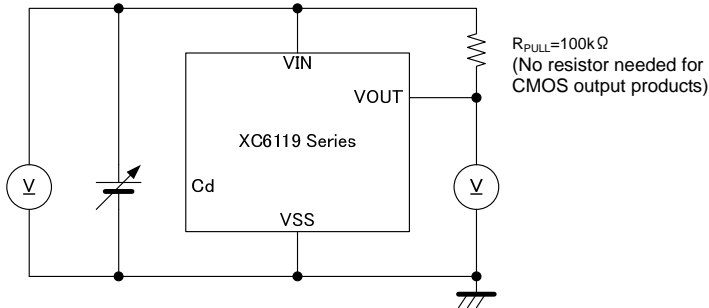
**NOTE:**

\*1: When V<sub>DF(T)</sub> ≤ 1.4V, the detection accuracy is ±30mV. When V<sub>DF(T)</sub> ≥ 1.5V, the detection accuracy is ±2%.

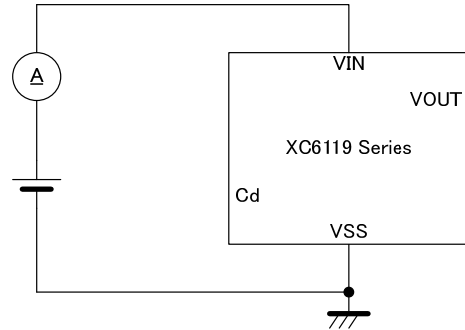
\*2: This numerical value is applied only to the XC6119C series (CMOS output).

## TEST CIRCUITS

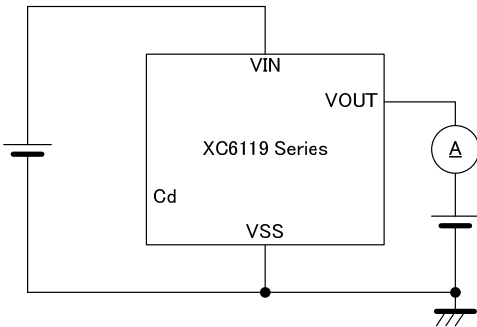
Circuit 1



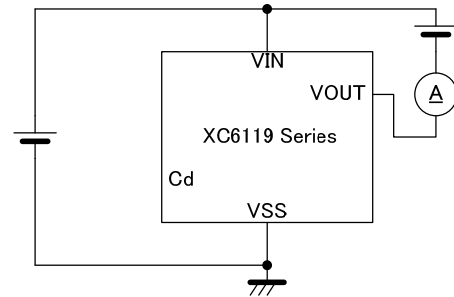
Circuit 2



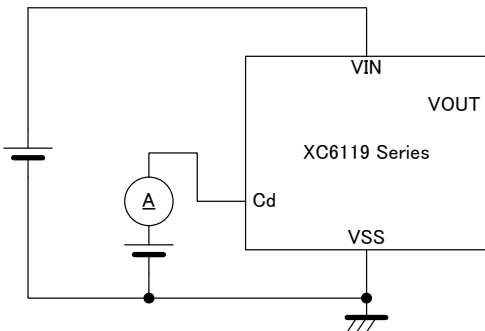
Circuit 3



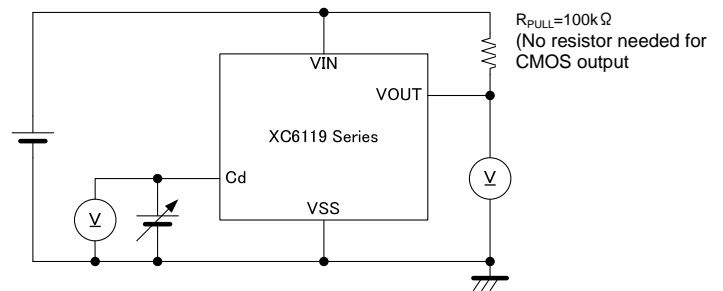
Circuit 4



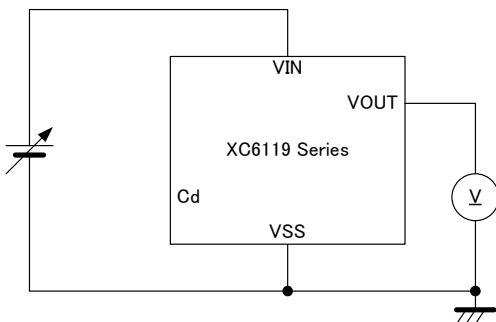
Circuit 5



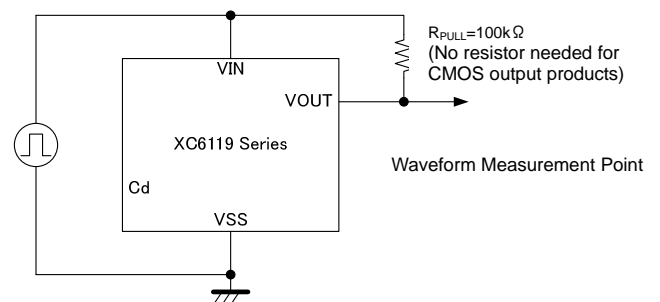
Circuit 6



Circuit 7



Circuit 8



## ■ OPERATIONAL EXPLANATION

A typical circuit example is shown in Figure 1, and the timing chart of Figure 1 is shown in Figure 2 on the next page.

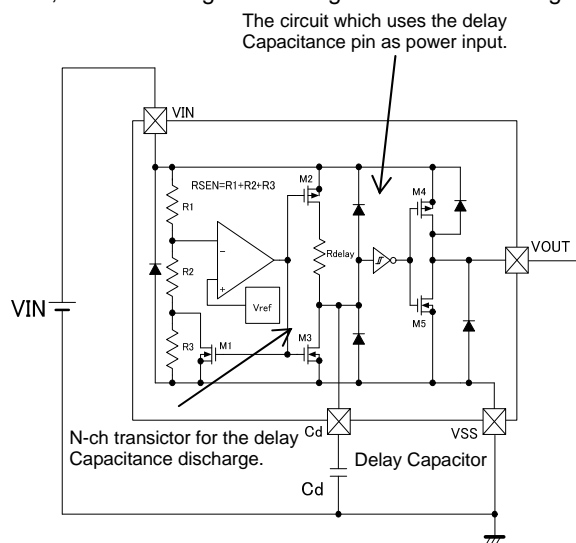


Figure 1: Typical application circuit example

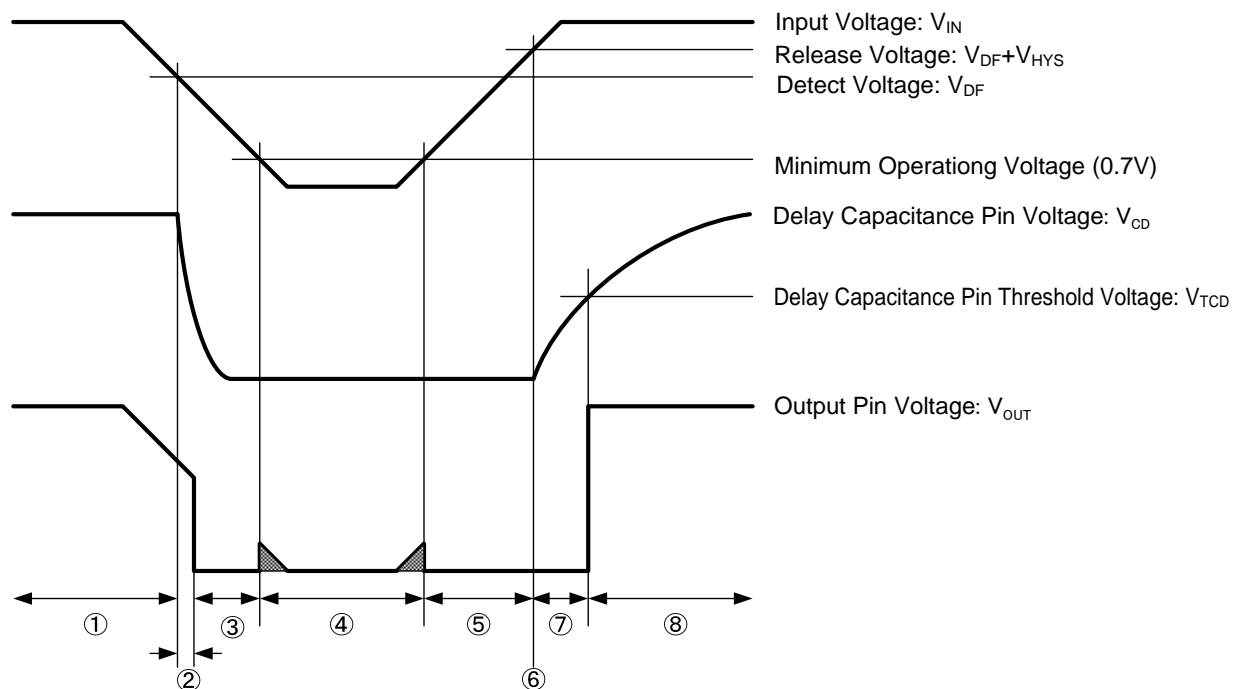


Figure 2: The timing chart of Figure 1

- ① As an early state, the input voltage pin is applied sufficiently high voltage to the release voltage and the delay capacitance ( $C_d$ ) is charged to the input pin voltage. While the input pin voltage ( $V_{IN}$ ) starts dropping to reach the detect voltage ( $V_{DF}$ ) ( $V_{IN} > V_{DF}$ ), the output voltage ( $V_{OUT}$ ) keeps the "High" level ( $=V_{IN}$ ).
- ② When the input pin voltage keeps dropping and becomes equal to the detect voltage ( $V_{IN} = V_{DF}$ ), an N-ch transistor for the delay capacitance discharge is turned ON, and starts to discharge the delay capacitance. For the internal circuit, which uses the delay capacitance pin as power input, the reference voltage operates as a comparator of  $V_{IN}$ , and the output voltage changes into the "Low" level ( $\leq V_{IN} \times 0.1$ ). The detect delay time ( $t_{DF}$ ) is defined as time which ranges from  $V_{IN} = V_{DF}$  to the  $V_{OUT}$  of "Low" level (especially, when the  $C_d$  pin is not connected:  $t_{DF0}$ ).
- ③ While the input pin voltage keeps below the detect voltage, and 0.7V or more, the delay capacitance is discharged to the ground voltage ( $=V_{SS}$ ) level. Then, the output voltage ( $V_{OUT}$ ) maintains the "Low" level.
- ④ While the input pin voltage drops to less than 0.7V and it increases again to 0.7V or more, the output voltage may not be able to maintain the "Low" level. Such an operation is called "Unspecified Operation", and voltage which occurs at the output pin voltage is defined as unstable operating voltage ( $V_{UNS}$ ).

## OPERATIONAL EXPLANATION (Continued)

- ⑤ While the input pin voltage increases more than 0.7V and it reaches to the release voltage level ( $V_{IN} < V_{DF} + V_{HYS}$ ), the output voltage ( $V_{OUT}$ ) maintains the "Low" level.
- ⑥ When the input pin voltage continues to increase more than 0.7V up to the release voltage level ( $= V_{DF} + V_{HYS}$ ), the N-ch transistor for the delay capacitance discharge will be turned OFF, and the delay capacitance will be started discharging via a delay resistor ( $R_{DELAY}$ ). The internal circuit, which uses the delay capacitance pin as power input, will operate as a hysteresis comparator (Rise Logic Threshold:  $V_{TLH}=V_{TCD}$ , Fall Logic Threshold:  $V_{THL}=V_{SS}$ ) while the input pin voltage keeps higher than the detect voltage ( $V_{IN} > V_{DF}$ ).
- ⑦ While the input pin voltage becomes equal to the release voltage or higher and keeps the detect voltage or higher, the delay capacitance ( $Cd$ ) will be charged up to the input pin voltage. When the delay capacitance pin voltage ( $V_{CD}$ ) reaches to the delay capacitance pin threshold voltage ( $V_{TCD}$ ), the output voltage changes into the "High" ( $=V_{IN}$ ) level.  $t_{DR}$  is defined as time which ranges from  $V_{IN}=V_{DF}+V_{HYS}$  to the  $V_{OUT}$  of "High" level (especially when the  $Cd$  pin is not connected:  $t_{DR0}$ ).  $t_{DR}$  can be given by the formula (1).

$$t_{DR} = -R_{DELAY} \times Cd \times \ln(1 - V_{TCD} / V_{IN}) + t_{DR0} \dots(1)$$

\*  $\ln$  = a natural logarithm

The release delay time can also be briefly calculated with the formula (2) because the delay resistance is  $2.0M\Omega$  (TYP.) and the delay capacitance pin threshold voltage is  $V_{IN} / 2$  (TYP.)

$$t_{DR} = R_{DELAY} \times Cd \times 0.69 \dots(2)$$

\*  $R_{DELAY}$  is  $2.0M\Omega$  (TYP.)

As an example, presuming that the delay capacitance is  $0.68 \mu F$ ,  $t_{DR}$  is :

$$2.0 \times 10^6 \times 0.68 \times 10^{-6} \times 0.69 = 938(ms)$$

\* Note that the release delay time may remarkably be short when the delay capacitance is not discharged to the ground ( $=V_{SS}$ ) level because time described in ③ is short.

- ⑧ While the input pin voltage is higher than the detect voltage ( $V_{IN} > V_{DF}$ ), therefore, the output voltage maintains the "High" ( $=V_{IN}$ ) level.

### Release Delay Time Chart

| Delay Capacitance [Cd]<br>( $\mu F$ ) | Release Delay Time [tDR] (TYP.)<br>(ms) | Release Delay Time [tDR] (MIN. ~ MAX.) *1<br>(ms) |
|---------------------------------------|---|---|
| 0.01                                  | 13.8                                    | 11.0 ~ 16.6                                       |
| 0.022                                 | 30.4                                    | 24.3 ~ 36.4                                       |
| 0.047                                 | 64.9                                    | 51.9 ~ 77.8                                       |
| 0.1                                   | 138                                     | 110 ~ 166   |
| 0.22                                  | 304                                     | 243 ~ 364   |
| 0.47                                  | 649                                     | 519 ~ 778   |
| 1                                     | 1380                                    | 1100 ~ 1660                                       |

\* The release delay time values above are calculate by using formula (2).

\*1: The release delay time ( $t_{DR}$ ) is influenced by the release capacitance (Cd).



## ■ NOTES ON USE

1. Please use this IC within the stated maximum ratings. For temporary, transitional voltage drop or voltage rising phenomenon, the IC is liable to malfunction should the ratings be exceeded.
2. The input pin voltage drops by the resistance between power supply and the VIN pin, and by through current at operation of the IC. At this time, the operation may be wrong if the input pin voltage falls below the minimum operating voltage range. In CMOS output, for output current, drops in the input pin voltage similarly occur. Oscillation of the circuit may occur if the drops in voltage, which caused by through current at operation of the IC, exceed the hysteresis voltage. Note it especially when you use the IC with the VIN pin connected to a resistor.
3. Note that a rapid and high fluctuation of the input pin voltage may cause a wrong operation.
4. Power supply noise may cause an operational function error. Care must be taken to put an external capacitor between VIN-GND and test on the board carefully.
5. When there is a possibility of which the input pin voltage falls rapidly (e.g.: 6.0V to 0V) at release operation with the delay capacitance pin (Cd) connected to a capacitor, use a schottky barrier diode connected between the VIN pin and the Cd pin as the Figure 3 shown below.
6. When N-channel open drain output is used, output voltages V<sub>OUT</sub> at voltage detection and release are determined by a pull-up resistor tied to the output pin. A resistance value of the pull-up resistor can be selected with referring to the followings. (Refer to Figure 4)

During detection, the formula is given as

$$V_{OUT} = V_{PULL} / (1 + R_{PULL} / R_{ON})$$

where V<sub>PULL</sub> is pull-up voltage and R<sub>ON</sub> (\*1) is ON resistance of N-channel driver M5 (R<sub>ON</sub>=V<sub>DS</sub>/I<sub>OUT1</sub> from the electrical characteristics table).

For example, when V<sub>IN</sub>=2.0V (\*2), R<sub>ON</sub> = 0.5/0.8 × 10<sup>-3</sup> = 625Ω (MIN.) and if you want to get V<sub>OUT</sub> less than 0.1V when V<sub>PULL</sub>=3.0V, R<sub>PULL</sub> can be calculated as follows;

$$R_{PULL} = (V_{PULL} / V_{OUT} - 1) \times R_{ON} = (3/0.1 - 1) \times 625 \approx 18 \text{ k} \Omega$$

Therefore, pull-up resistance should be selected 18kΩ or higher.

(\*1) V<sub>IN</sub> is smaller, R<sub>ON</sub> is bigger

(\*2) For the calculation, the lowest V<sub>IN</sub> should be used among of the V<sub>IN</sub> range

During release, the formula is given as

$$V_{OUT} = V_{PULL} / (1 + R_{PULL} / R_{OFF})$$

where V<sub>PULL</sub> is pull-up voltage R<sub>OFF</sub> is OFF resistance of N-channel driver M5 (R<sub>OFF</sub>=V<sub>OUT</sub>/I<sub>LEAK</sub>=15MΩ from the electrical characteristics table)

For examples, if you want to get V<sub>OUT</sub> larger than 5.99V when V<sub>PULL</sub> is 6.0V, R<sub>PULL</sub> can be calculated as follows;

$$R_{PULL} = (V_{PULL} / V_{OUT} - 1) \times R_{OFF} = (6/5.99 - 1) \times 15 \times 10^6 \approx 25 \text{ k} \Omega$$

Therefore, pull-up resistance should be selected 25kΩ or below.

7. Torex places an importance on improving our products and their reliability. We request that users incorporate fail-safe designs and post-aging protection treatment when using Torex products in their systems.

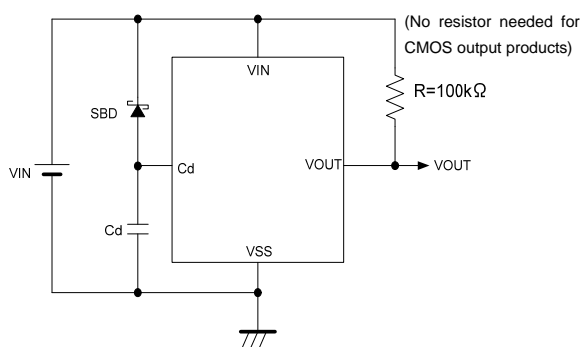
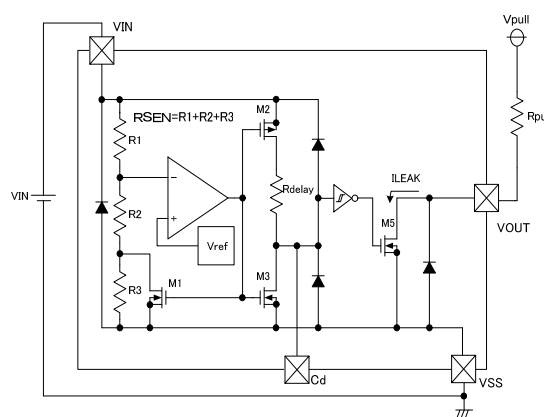


Figure 3: Circuit example with the delay capacitance pin (Cd) connected to a schottky barrier diode

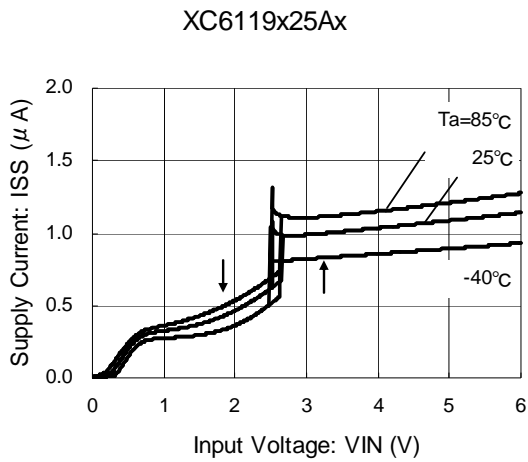


Note: R<sub>OFF</sub>=V<sub>OUT</sub>/I<sub>LEAK</sub>

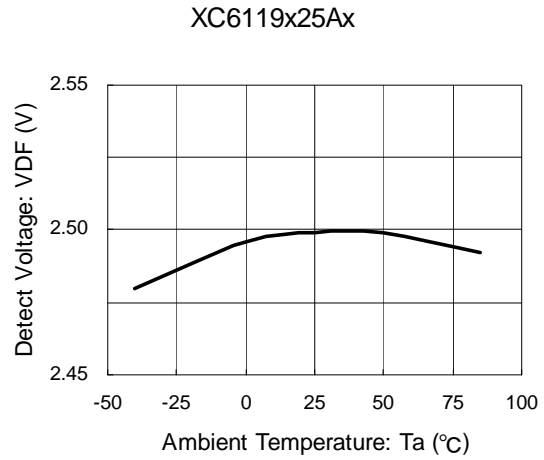
Figure 4: Circuit example of XC6109N Series

## TYPICAL PERFORMANCE CHARACTERISTICS

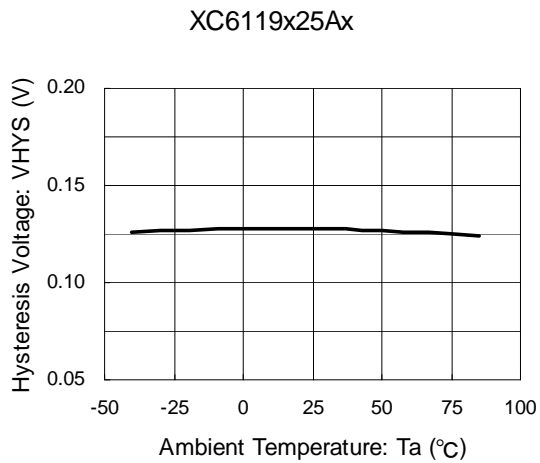
(1) Supply Current vs. Input Voltage



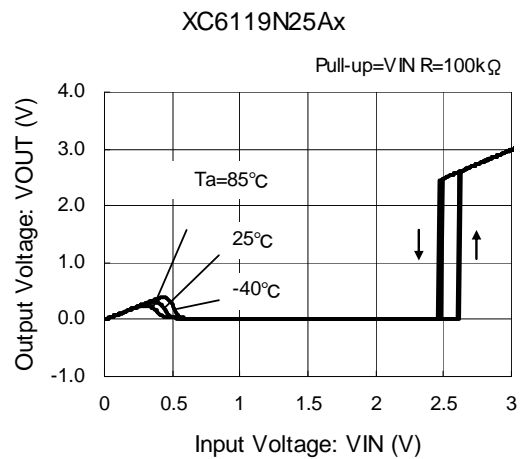
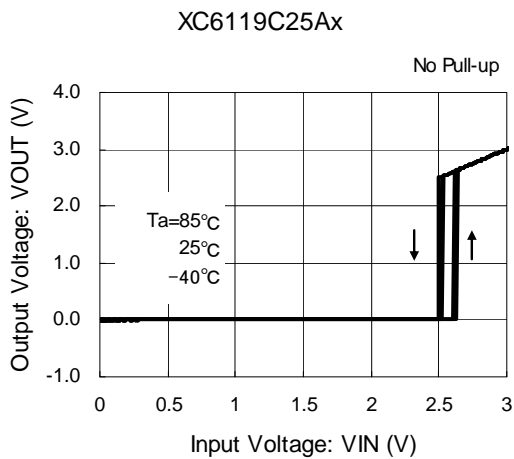
(2) Detect Voltage vs. Ambient Temperature



(3) Hysteresis Voltage vs. Ambient Temperature

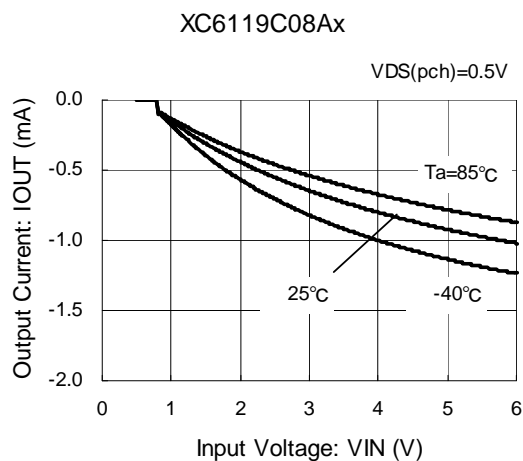
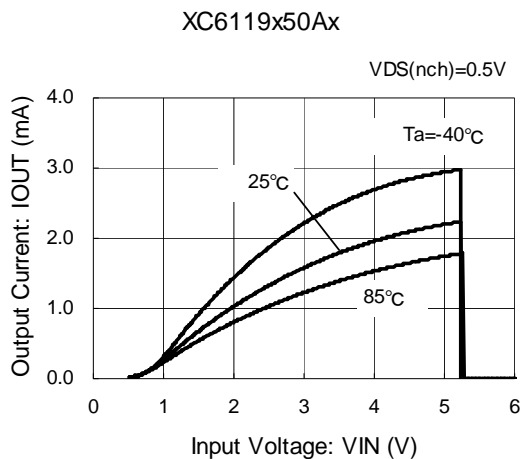


(4) Output Voltage vs. Input Voltage

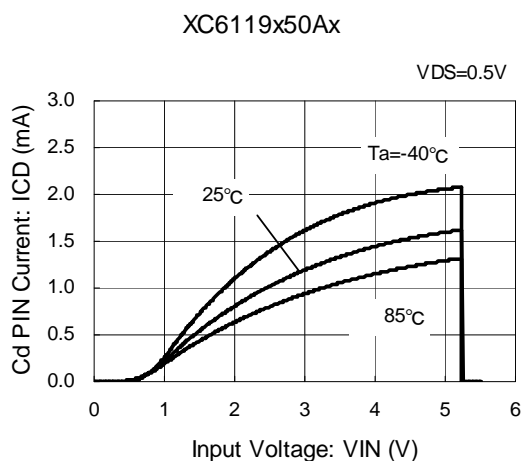


## ■ TYPICAL PERFORMANCE CHARACTERISTICS (Continued)

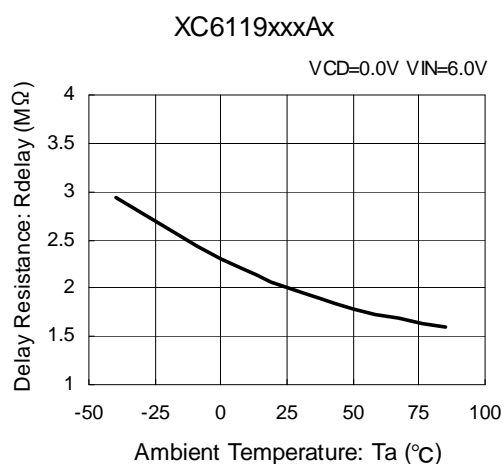
(5) Output Current vs. Input Voltage



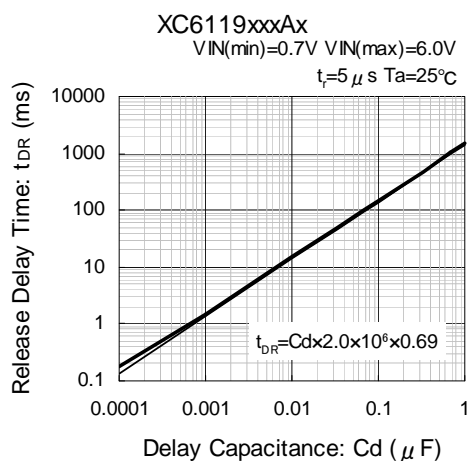
(6) Cd Pin Sink Current vs. Input Voltage



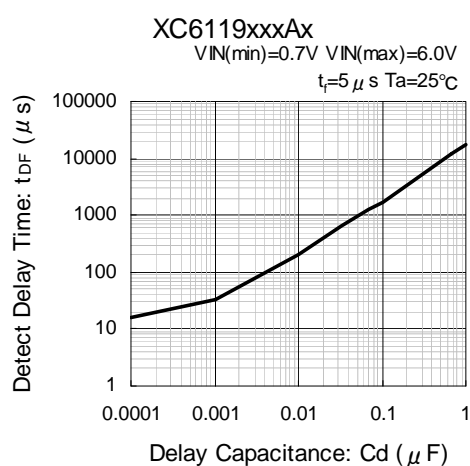
(7) Delay Resistance vs. Ambient Temperature



(8) Release Delay Time vs. Delay Capacitance

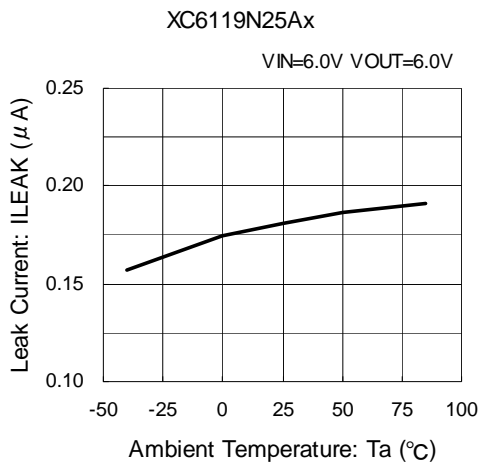


(9) Detect Delay Time vs. Delay Capacitance

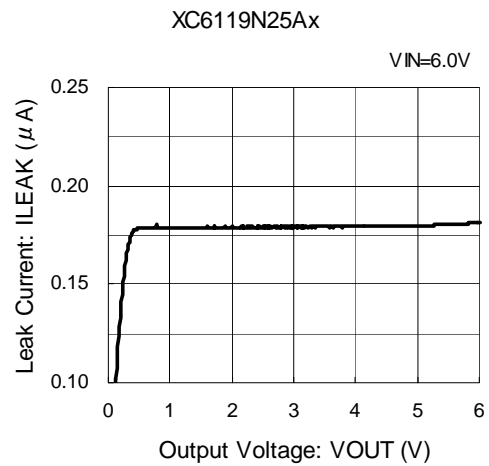


## TYPICAL PERFORMANCE CHARACTERISTICS (Continued)

(10) Leak Current vs. Ambient Temperature

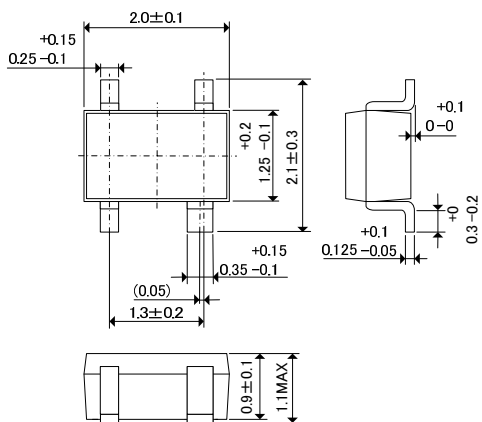


(11) Leak Current vs. Supply Voltage



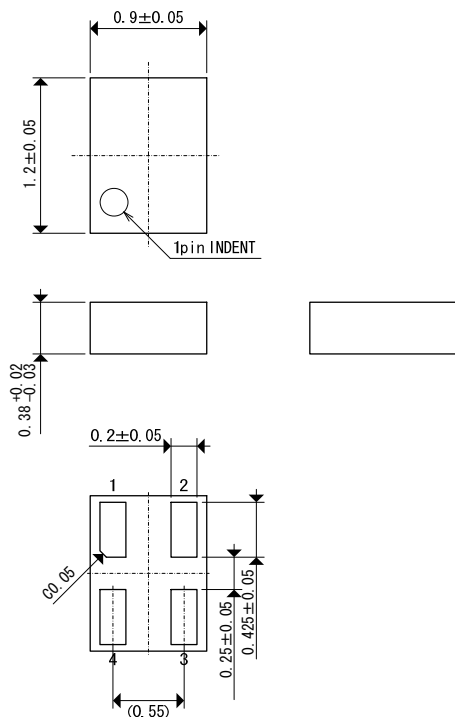
**PACKAGING INFORMATION**

●SSOT-24

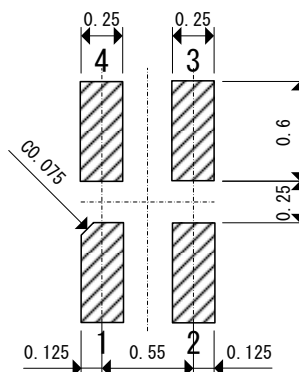


●USPN-4

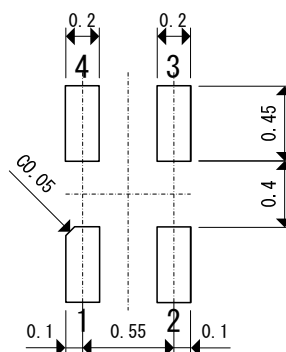
(unit : mm)



●USPN-4 Reference Pattern Layout



●USPN-4 Reference Metal Mask Design



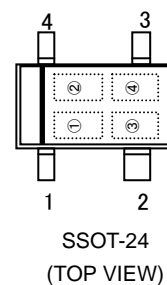
## MARKING RULE

### ●SSOT-24

① represents output configuration and integer number of detect voltage

#### CMOS Output (XC6119C Series)

| MARK | VOLTAGE (V) | PRODUCT SERIES |
|------|-------------|----------------|
| A    | 0.X         | XC6119C0**N*   |
| B    | 1.X         | XC6119C1**N*   |
| C    | 2.X         | XC6119C2**N*   |
| D    | 3.X         | XC6119C3**N*   |
| E    | 4.X         | XC6119C4**N*   |
| F    | 5.X         | XC6119C5**N*   |



#### N-channel Open Drain Output (XC6119N Series)

| MARK | VOLTAGE (V) | PRODUCT SERIES |
|------|-------------|----------------|
| H    | 0.X         | XC6119N0**N*   |
| K    | 1.X         | XC6119N1**N*   |
| L    | 2.X         | XC6119N2**N*   |
| M    | 3.X         | XC6119N3**N*   |
| N    | 4.X         | XC6119N4**N*   |
| P    | 5.X         | XC6119N5**N*   |

② represents decimal number of detect voltage

| MARK | VOLTAGE (V) | PRODUCT SERIES |
|------|-------------|----------------|
| N    | X.0         | XC6119**0*N*   |
| P    | X.1         | XC6119**1*N*   |
| R    | X.2         | XC6119**2*N*   |
| S    | X.3         | XC6119**3*N*   |
| T    | X.4         | XC6119**4*N*   |
| U    | X.5         | XC6119**5*N*   |
| V    | X.6         | XC6119**6*N*   |
| X    | X.7         | XC6119**7*N*   |
| Y    | X.8         | XC6119**8*N*   |
| Z    | X.9         | XC6119**9*N*   |

③④ represents production lot number

01 to 09, 0A to 0Z, 11 to 9Z, A1 to A9, AA to Z9, ZA to ZZ repeated (G, I, J, O, Q, W excluded).

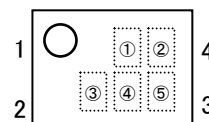
Note: No character inversion used.

## ■ MARKING RULE (Continued)

### ●USPN-4

① represents product series.

| MARK | PRODUCT SERIES |
|------|----------------|
| B    | XC6119*****-G  |



USPN-4  
(TOP VIEW)

② represents output configuration and integer number of detect voltage

#### CMOS Output (XC6119C Series)

| MARK | VOLTAGE (V) | PRODUCT SERIES |
|------|-------------|----------------|
| A    | 0.X         | XC6119C0**7*-G |
| B    | 1.X         | XC6119C1**7*-G |
| C    | 2.X         | XC6119C2**7*-G |
| D    | 3.X         | XC6119C3**7*-G |
| E    | 4.X         | XC6119C4**7*-G |
| F    | 5.X         | XC6119C5**7*-G |

#### N-channel Open Drain Output (XC6119N Series)

| MARK | VOLTAGE (V) | PRODUCT SERIES |
|------|-------------|----------------|
| H    | 0.X         | XC6119N0**7*-G |
| K    | 1.X         | XC6119N1**7*-G |
| L    | 2.X         | XC6119N2**7*-G |
| M    | 3.X         | XC6119N3**7*-G |
| N    | 4.X         | XC6119N4**7*-G |
| P    | 5.X         | XC6119N5**7*-G |

③ represents decimal number of detect voltage

| MARK | VOLTAGE (V) | PRODUCT SERIES |
|------|-------------|----------------|
| N    | X.0         | XC6119**0*7*-G |
| P    | X.1         | XC6119**1*7*-G |
| R    | X.2         | XC6119**2*7*-G |
| S    | X.3         | XC6119**3*7*-G |
| T    | X.4         | XC6119**4*7*-G |
| U    | X.5         | XC6119**5*7*-G |
| V    | X.6         | XC6119**6*7*-G |
| X    | X.7         | XC6119**7*7*-G |
| Y    | X.8         | XC6119**8*7*-G |
| Z    | X.9         | XC6119**9*7*-G |

④⑤ represents production lot number

01 to 09, 0A to 0Z, 11 to 9Z, A1 to A9, AA to Z9, ZA to ZZ repeated (G, I, J, O, Q, W excluded).

Note: No character inversion used.