

High Speed LDO Regulators Output ON-OFF Control

■ GENERAL DESCRIPTION

The XC6204/6205 series are highly precise, low noise, positive voltage LDO regulators manufactured using CMOS processes. The series achieves high ripple rejection and low dropout and consists of a standard voltage source, an error correction, current limiter and a phase compensation circuit plus a driver transistor.

Output voltage is selectable in 0.05V steps within a range of 0.9V ~ 6.0V.

The series is also compatible with low ESR ceramic capacitors which give added output stability. This stability can be maintained even during load fluctuations due to the excellent transient response of the series.

The current limiter's foldback circuit also operates as a short protect for the output current limiter and the output pin.

The CE function enables the output to be turned off, resulting in greatly reduced power consumption.

■ APPLICATIONS

- Mobile phones
- Cordless phones
- Cameras, video recorders
- Portable games
- Portable AV equipment
- Reference voltage
- Battery powered equipment

■ FEATURES

Maximum Output Current

: 150mA (300mA=XC6204 E to H TYP.)

Dropout Voltage : 200mV @ 100mA
60mV @ 30mA

Operating Voltage : 2V ~ 10V

Output Voltage Range

: 1.8V ~ 6.0V (XC6204) (0.05V increments)

0.9V ~ 1.75V (XC6205) (0.05V increments)

Highly Accurate : $\pm 2\%$

Low Power Consumption : 70 μ A (TYP.)

Standby Current : Less than 0.1 μ A (TYP.)

High Ripple Rejection : 70dB (10kHz) (XC6204)
60dB (10kHz) (XC6205)

Operational Ambient Temperature

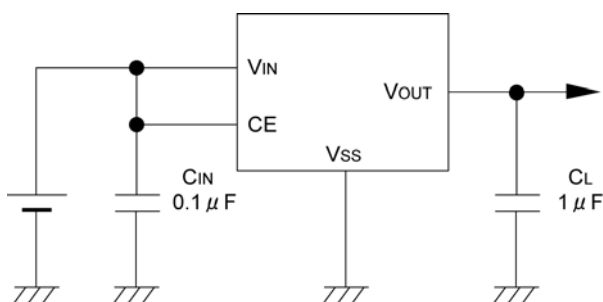
: -40°C ~ +85°C

Low ESR Capacitor Compatible

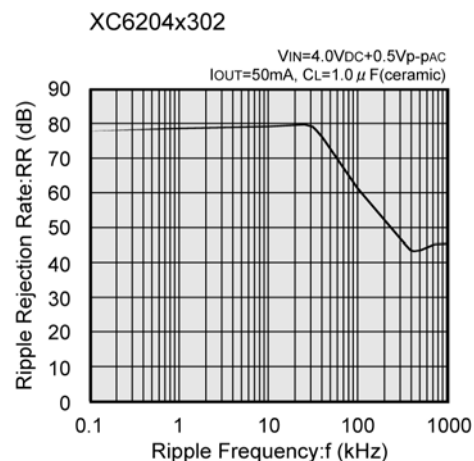
: Ceramic capacitor

Environmentally Friendly : EU RoHS Compliant, Pb Free

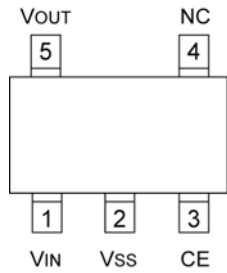
■ TYPICAL APPLICATION CIRCUIT



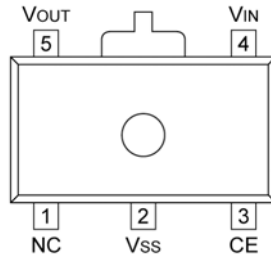
■ TYPICAL PERFORMANCE CHARACTERISTICS



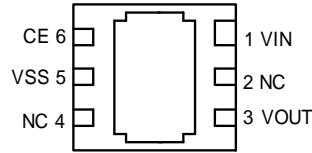
PIN CONFIGURATION



SOT-25
(TOP VIEW)



SOT-89-5
(TOP VIEW)



USP-6B
(BOTTOM VIEW)

*The dissipation pad for the USP-6B package should be solder-plated in recommended mount pattern and metal masking so as to enhance mounting strength and heat release. If the pad needs to be connected to other pins, it should be connected to the VSS pin.

PIN ASSIGNMENT

| PIN NUMBER | | | PIN NAME | FUNCTION |
|------------|----------|--------|----------|----------------|
| SOT-25 | SOT-89-5 | USP-6B | | |
| 1 | 4 | 1 | VIN | Input |
| 2 | 2 | 5 | Vss | Ground |
| 3 | 3 | 6 | CE | ON/OFF Control |
| 4 | 1 | 2, 4 | NC | No Connection |
| 5 | 5 | 3 | VOUT | Output |

FUNCTIONS

●XC6204/6205 A, B, E, F Series

| CE | OPERATIONAL STATE |
|----|-------------------|
| H | ON |
| L | OFF |

●XC6204/6205 C, D, G, H Series

| CE | OPERATIONAL STATE |
|----|-------------------|
| H | OFF |
| L | ON |

H= High Level

L= Low Level

■ PRODUCT CLASSIFICATION

● Selection Guide

The following options for the CE pin logic and internal pull-up/down are available:

- High Active + no pull-down resistor built-in (standard)
- High Active + 300k Ω pull-down resistor built-in <between CE-Vss> (semi-custom)
- Low Active + no pull-up resistor built-in (semi-custom)
- Low Active + 300k Ω pull-up resistor built-in <between CE-Vss> (semi-custom)

Note:

With the pull-up resistor or pull-down resistor built-in types, the supply current during operation will increase by $V_{IN} / 300k\Omega$ (TYP.)

● Ordering Information

XC6204/6205①②③④⑤⑥-⑦^(*)

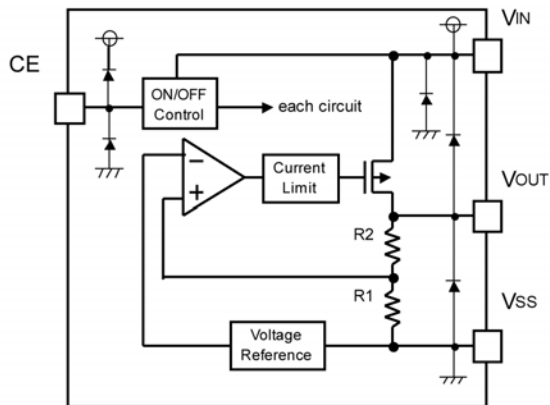
| DESIGNATOR | ITEM | SYMBOL | DESCRIPTION |
|------------|-------------------------------------|-------------------|--|
| ① (*1) | Type of Regulator (CE pin Logic) | A / E | High Active, pull-down resistor built-in |
| | | B / F | High Active, no pull-down resistor built-in |
| | | C / G | Low Active, pull-up resistor built-in |
| | | D / H | Low Active, no pull-up resistor built-in |
| ②③ | Output Voltage | 09 ~ 60, | e.g. $V_{OUT}=2.0V$ ②→=2, ③=0 |
| ④ | Output Voltage Accuracy | 2 | 100mV increments, $\pm 2\%$ accuracy e.g. $V_{OUT}=3.8V$, $\pm 2\%$ →②=3, ③=8, ④=2 |
| | | 1 ^(*2) | 100mV increments, $\pm 1\%$ accuracy e.g. $V_{OUT}=3.0V$, $\pm 1\%$ →②=3, ③=0, ④=1 |
| | | A | 50mV increments, $\pm 2\%$ accuracy e.g. $V_{OUT}=3.85V$, $\pm 2\%$ →②=3, ③=8, ④=A |
| | | B ^(*2) | 50mV increments, $\pm 1\%$ accuracy e.g. $V_{OUT}=3.05V$, $\pm 1\%$ →②=3, ③=0, ④=B |
| ⑤⑥-⑦ | Packages (Order Unit) | MR | SOT-25 (3,000/Reel) |
| | | MR-G | SOT-25 (3,000/Reel) |
| | | DR | USP-6B (3,000/Reel) |
| | | DR-G | USP-6B (3,000/Reel) |
| | | PR | SOT-89-5 (1,000/Reel) |
| | | PR-G | SOT-89-5 (1,000/Reel) |

(*1) E to H types are compatible to 300mA of XC6204 series.

(*2) Output voltage range of the $\pm 1\%$ accuracy product is 3.0V to 6.0V.

(*3) The "-G" suffix indicates that the products are Halogen and Antimony free as well as being fully RoHS compliant.

■ BLOCK DIAGRAM



Diodes shown in the above circuit are protective diodes.

■ ABSOLUTE MAXIMUM RATINGS

Ta=25°C

| PARAMETER | SYMBOL | RATINGS | UNITS |
|-------------------------------|------------------|---|-------|
| Input Voltage | V _{IN} | 12.0 | V |
| Output Current | I _{OUT} | 500 | mA |
| Output Voltage | V _{OUT} | V _{SS} -0.3~V _{IN} +0.3 | V |
| CE Input Voltage | V _{CE} | V _{SS} -0.3~V _{IN} +0.3 | V |
| Power Dissipation | SOT-25 | 250 | mW |
| | USP-6B | 100 | |
| | SOT-89-5 | 500 | |
| Operating Ambient Temperature | T _{opr} | -40 ~ +85 | °C |
| Storage Temperature Range | T _{stg} | -55 ~ +125 | °C |

■ ELECTRICAL CHARACTERISTICS

XC6204A, B series

| PARAMETER | SYMBOL | CONDITIONS | Ta = 25°C | | | -40°C ≤ Ta ≤ 85°C (*7) | | | UNITS | CIRCUIT |
|---|---|--|-----------|---------|--------|------------------------|---------|--------|------------|---------|
| | | | MIN. | TYP. | MAX. | MIN. | TYP. | MAX. | | |
| Output Voltage (2% products) (*3) | VOUT(E) | IOUT = 30mA | × 0.98 | VOUT(T) | × 1.02 | × 0.97 | VOUT(T) | × 1.03 | V | 1 |
| Output Voltage (1% products) (*3) | | | × 0.99 | | × 1.01 | × 0.98 | | × 1.02 | | |
| Maximum Output Current | IOUTMAX | - | 150 | - | - | 150 | - | - | mA | 1 |
| Load Regulation | ΔVOUT | 1mA ≤ IOUT ≤ 100mA | - | 15 | 50 | - | 30 | 80 | mV | 1 |
| Dropout Voltage (*4) | Vdif1 | IOUT = 30mA | E-1 | | | | | | mV | 1 |
| | Vdif2 | IOUT = 100mA | E-2 | | | | | | | |
| Supply Current (A series) | IDD | VIN = VCE = VOUT(T)+1.0V | 50 | 80 | 120 | 50 | 90 | 145 | μA | 2 |
| Supply Current (B series) | | VIN = VCE = VOUT(T)+1.0V | 40 | 70 | 100 | 40 | 80 | 120 | | |
| Standby Current | Istby | VIN = VOUT(T)+1.0V, VCE = VSS | - | 0.01 | 0.10 | - | 0.05 | 1.00 | μA | 2 |
| Line Regulation | $\frac{\Delta V_{OUT}}{\Delta V_{IN} \cdot V_{OUT}}$ | VOUT(T)+1.0V ≤ VIN ≤ 10V IOUT = 30mA | - | 0.01 | 0.20 | - | 0.05 | 0.30 | %/V | 1 |
| Input Voltage | VIN | - | 2 | - | 10 | 2 | - | 10 | V | - |
| Output Voltage Temperature Characteristics | $\frac{\Delta V_{OUT}}{\Delta T_{opr} \cdot V_{OUT}}$ | IOUT = 30mA -40°C ≤ Topr ≤ 85°C | - | 100 | - | - | - | - | ppm/ °C | 1 |
| Output Noise | en | IOUT = 10mA 300Hz~50kHz | - | 30 | - | - | - | - | μVrms | 3 |
| Ripple Rejection Rate | PSRR | VIN = {VOUT(T)+1.0}V+1.0Vp-pAC IOUT = 50mA, f=10kHz | - | 70 | - | - | - | - | dB | 4 |
| Current Limiter | Ilim | VIN = VOUT(T)+1.0V, VCE = VIN | - | 300 | - | - | 280 | - | mA | 1 |
| Short-circuit Current | Ishort | VIN = VOUT(T)+1.0V, VCE = VIN | - | 50 | - | - | 60 | - | mA | 1 |
| CE "High" Voltage | VCEH | - | 1.6 | - | VIN | 1.7 | - | VIN | V | 1 |
| CE "Low" Voltage | VCEL | - | - | - | 0.25 | - | - | 0.20 | | |
| CE "High" Current (A series) | ICEH | VIN = VCE = VOUT(T)+1.0V | 3.2 | - | 20.0 | 3.0 | - | 25.0 | μA | 2 |
| CE "High" Current (B series) | | VIN = VCE = VOUT(T)+1.0V | -0.10 | - | 0.10 | -0.15 | - | 0.15 | | |
| CE "Low" Current | ICEL | VIN = VOUT(T)+1.0V, VCE = VSS | -0.10 | - | 0.10 | -0.15 | - | 0.15 | | |

NOTE:

*1 : Unless otherwise stated, VIN=VOUT(T)+1.0V

*2 : VOUT(T)=Specified output voltage

*3 : VOUT(E)=Effective output voltage (i.e. the output voltage when "VOUT(T)+1.0V" is provided at the VIN pin while maintaining a certain IOUT value).

*4 : Vdif={VIN1(*6)-VOUT1(*5)}

*5 : VOUT1=A voltage equal to 98% of the output voltage whenever an amply stabilized IOUT {VOUT(T)+1.0V} is input.

*6 : VIN1=The input voltage when VOUT1 appears as input voltage is gradually decreased.

*7 : The values for -40°C ≤ Topr ≤ 85°C are designed values.

ELECTRICAL CHARACTERISTICS (Continued)

XC6204C, D series

| PARAMETER | SYMBOL | CONDITIONS | Ta = 25°C | | | -40°C ≤ Ta ≤ 85°C (*7) | | | UNITS | CIRCUIT | |
|---|---|--|-----------|---------|--------|------------------------|--------|---------|------------|---------|---|
| | | | MIN. | TYP. | MAX. | MIN. | TYP. | MAX. | | | |
| Output Voltage (2% products) (*3) | VOUT(E) | IOUT = 30mA | × 0.98 | VOUT(T) | × 1.02 | VOUT(T) | × 0.97 | VOUT(T) | × 1.03 | V | 1 |
| Output Voltage (1% products) (*3) | | | × 0.99 | | × 1.01 | | × 0.98 | | × 1.02 | | |
| Maximum Output Current | IOUTMAX | - | 150 | - | - | 150 | - | - | mA | 1 | |
| Load Regulation | ΔVOUT | 1mA ≤ IOUT ≤ 100mA | - | 15 | 50 | - | 30 | 80 | mV | 1 | |
| Dropout Voltage (*4) | Vdif1 | IOUT = 30mA | E-1 | | | | | | mV | 1 | |
| | Vdif2 | IOUT = 100mA | E-2 | | | | | | | | |
| Supply Current (C series) | IDD | VIN = VOUT(T)+1.0V, VCE = VSS | 50 | 80 | 120 | 50 | 90 | 145 | μA | 2 | |
| Supply Current (D series) | | VIN = VOUT(T)+1.0V, VCE = VSS | 40 | 70 | 100 | 40 | 80 | 120 | | | |
| Standby Current | Istby | VIN = VCE = VOUT(T)+1.0V | - | 0.01 | 0.10 | - | 0.05 | 1.00 | μA | 2 | |
| Line Regulation | $\frac{\Delta V_{OUT}}{\Delta V_{IN} \cdot V_{OUT}}$ | VOUT(T)+1.0V ≤ VIN ≤ 10V IOUT = 30mA | - | 0.01 | 0.20 | - | 0.05 | 0.30 | %/V | 1 | |
| Input Voltage | VIN | - | 2 | - | 10 | 2 | - | 10 | V | - | |
| Output Voltage Temperature Characteristics | $\frac{\Delta V_{OUT}}{\Delta T_{opr} \cdot V_{OUT}}$ | IOUT = 30mA -40°C ≤ Topr ≤ 85°C | - | 100 | - | - | - | - | ppm/ °C | 1 | |
| Output Noise | en | IOUT = 10mA 300Hz~50kHz | - | 30 | - | - | - | - | μVrms | 3 | |
| Ripple Rejection Rate | PSRR | VIN = {VOUT(T)+1.0}V+1.0Vp-pAC IOUT = 50mA, f = 10kHz | - | 70 | - | - | - | - | dB | 4 | |
| Current Limiter | Ilim | VIN = VOUT(T)+1.0V, VCE = VSS | - | 300 | - | - | 280 | - | mA | 1 | |
| Short-circuit Current | Ishort | VIN = VOUT(T)+1.0V, VCE = VSS | - | 50 | - | - | 60 | - | mA | 1 | |
| CE "High" Voltage | VCEH | - | 1.6 | - | VIN | 1.7 | - | VIN | V | 1 | |
| CE "Low" Voltage | VCEL | - | - | - | 0.25 | - | - | 0.20 | | | |
| CE "High" Current | ICEH | VIN = VCE = VOUT(T)+1.0V | -0.10 | - | 0.10 | -0.15 | - | 0.15 | μA | 2 | |
| CE "Low" Current (C series) | ICEL | VIN = VOUT(T)+1.0V, VCE = VSS | -20.0 | - | -3.2 | -25.0 | - | -3.0 | | | |
| CE "Low" Current (D series) | | VIN = VOUT(T)+1.0V, VCE = VSS | -0.10 | - | 0.10 | -0.15 | - | 0.15 | | | |

NOTE:

*1 : Unless otherwise stated, VIN=VOUT(T)+1.0V

*2 : VOUT(T)=Specified output voltage

*3 : VOUT(E)=Effective output voltage (i.e. the output voltage when "VOUT (T)+1.0V" is provided at the VIN pin while maintaining a certain IOUT value).

*4 : Vdif={VIN1⁽⁶⁾-VOUT1⁽⁵⁾}

*5 : VOUT1=A voltage equal to 98% of the output voltage whenever an amply stabilized IOUT {VOUT(T)+1.0V} is input.

*6 : VIN1=The input voltage when VOUT1 appears as input voltage is gradually decreased.

*7 : The values for -40°C ≤ Topr ≤ 85°C are designed values.

■ ELECTRICAL CHARACTERISTICS (Continued)

XC6204E, F series

| PARAMETER | SYMBOL | CONDITIONS | Ta = 25°C | | | UNITS | CIRCUIT |
|---|---|---|-----------|------|-----------------|-------------------|---------|
| | | | MIN. | TYP. | MAX. | | |
| Output Voltage (2% products) (*3) | V _{OUT(E)} | I _{OUT} = 30mA | E-0 | | | V | 1 |
| Maximum Output Current | I _{OUTMAX} | V _{IN} = V _{OUT(T)} +1.0V When V _{OUT} ≤ 2.0V, V _{IN} = 3.0V | 300 | - | - | mA | 1 |
| Load Regulation | ΔV _{OUT} | 1mA ≤ I _{OUT} ≤ 100mA | - | 15 | 50 | mV | 1 |
| Dropout Voltage (*4) | V _{dif1} | I _{OUT} = 30mA | E-1 | | | mV | 1 |
| | V _{dif2} | I _{OUT} = 100mA | E-2 | | | | |
| Supply Current (E series) | I _{DD} | V _{IN} = V _C E = V _{OUT(T)} +1.0V | 50 | 80 | 120 | μA | 2 |
| Supply Current (F series) | | V _{IN} = V _C E = V _{OUT(T)} +1.0V | 40 | 70 | 100 | | |
| Standby Current | I _{stby} | V _{IN} = V _{OUT(T)} +1.0V, V _C E = V _{SS} | - | 0.01 | 0.10 | μA | 2 |
| Line Regulation | ΔV _{OUT} | V _{OUT(T)} +1.0V ≤ V _{IN} ≤ 10V I _{OUT} = 30mA | - | 0.01 | 0.20 | % / V | 1 |
| | ΔV _{IN} · V _{OUT} | | | | | | |
| Input Voltage | V _{IN} | - | 2 | - | 10 | V | - |
| Output Voltage Temperature Characteristics | ΔV _{OUT} ΔT _{opr} · V _{OUT} | I _{OUT} = 30mA -40°C ≤ T _{opr} ≤ 85°C | - | 100 | - | ppm/ °C | 1 |
| Output Noise | e _n | I _{OUT} = 10mA 300Hz-50kHz | | 30 | - | μV _{rms} | 3 |
| Ripple Rejection Rate | PSRR | V _{IN} = (V _{OUT(T)} +1.0)V+1.0Vp-pAC I _{OUT} = 50mA, f = 10kHz | - | 70 | - | dB | 4 |
| Current Limiter | I _{lim} | V _{IN} = V _{OUT(T)} +1.0V, V _C E = V _{IN} | - | 380 | - | mA | 1 |
| Short-circuit Current | I _{short} | V _{IN} = V _{OUT(T)} +1.0V, V _C E = V _{IN} | - | 50 | - | mA | 1 |
| CE "High" Voltage | V _{CEH} | - | 1.6 | - | V _{IN} | V | 1 |
| CE "Low" Voltage | V _{CEL} | - | - | - | 0.25 | | |
| CE "High" Current (E series) | I _{CEH} | V _{IN} = V _C E = V _{OUT(T)} +1.0V | 3.2 | - | 20.0 | μA | 2 |
| CE "High" Current (F series) | | V _{IN} = V _C E = V _{OUT(T)} +1.0V | -0.10 | - | 0.10 | | |
| CE "Low" Current | I _{CEL} | V _{IN} = V _{OUT(T)} +1.0V, V _C E = V _{SS} | -0.10 | - | 0.10 | μA | 2 |

NOTE:

*1 : Unless otherwise stated, V_{IN}=V_{OUT(T)}+1.0V

*2 : V_{OUT(T)}=Specified output voltage

*3 : V_{OUT(E)}=Effective output voltage (i.e. the output voltage when "V_{OUT (T)+1.0V"} is provided at the V_{IN} pin while maintaining a certain I_{OUT} value).

*4 : V_{dif}={V_{IN1}⁽⁶⁾-V_{OUT1}⁽⁵⁾}

*5 : V_{OUT1}=A voltage equal to 98% of the output voltage whenever an amply stabilized I_{OUT} {V_{OUT(T)}+1.0V} is input.

*6 : V_{IN1}=The input voltage when V_{OUT1} appears as input voltage is gradually decreased.

■ ELECTRICAL CHARACTERISTICS (Continued)

XC6204G, H series

| PARAMETER | SYMBOL | CONDITIONS | Ta = 25°C | | | UNITS | CIRCUIT |
|---|---|---|-----------|------|-----------------|-------------------|---------|
| | | | MIN. | TYP. | MAX. | | |
| Output Voltage (2% products) (*3) | V _{OUT(E)} | I _{OUT} = 30mA | E-0 | | | V | 1 |
| Maximum Output Current | I _{OUTMAX} | V _{IN} = V _{OUT(T)} +1.0V When V _{OUT} ≤ 2.0V, V _{IN} = 3.0V | 300 | - | - | mA | 1 |
| Load Regulation | ΔV _{OUT} | 1mA ≤ I _{OUT} ≤ 100mA | - | 15 | 50 | mV | 1 |
| Dropout Voltage (*4) | V _{dif1} | I _{OUT} = 30mA | E-1 | | | mV | 1 |
| | V _{dif2} | I _{OUT} = 100mA | E-2 | | | | |
| Supply Current (G series) | I _{DD} | V _{IN} = V _{OUT(T)} +1.0V, V _{CE} = V _{SS} | 50 | 80 | 120 | μA | 2 |
| Supply Current (H series) | | V _{IN} = V _{OUT(T)} +1.0V, V _{CE} = V _{SS} | 40 | 70 | 100 | | |
| Standby Current | I _{stby} | V _{IN} = V _{CE} = V _{OUT(T)} +1.0V | - | 0.01 | 0.10 | μA | 2 |
| Line Regulation | ΔV _{OUT} | V _{OUT(T)} +1.0V ≤ V _{IN} ≤ 10V I _{OUT} = 30mA | - | 0.01 | 0.20 | % / V | 1 |
| | ΔV _{IN} · V _{OUT} | | | | | | |
| Input Voltage | V _{IN} | - | 2 | - | 10 | V | - |
| Output Voltage Temperature Characteristics | ΔV _{OUT} ΔT _{opr} · V _{OUT} | I _{OUT} = 30mA -40°C ≤ T _{opr} ≤ 85°C | - | 100 | - | ppm/ °C | 1 |
| Output Noise | e _n | I _{OUT} = 10mA 300Hz-50kHz | | 30 | - | μV _{rms} | 3 |
| Ripple Rejection Rate | PSRR | V _{IN} = (V _{OUT(T)} +1.0)V+1.0Vp-pAC I _{OUT} = 50mA, f = 10kHz | - | 70 | - | dB | 4 |
| Current Limiter | I _{lim} | V _{IN} = V _{OUT(T)} +1.0V, V _{CE} = V _{SS} | - | 380 | - | mA | 1 |
| Short-circuit Current | I _{short} | V _{IN} = V _{OUT(T)} +1.0V, V _{CE} = V _{SS} | - | 50 | - | mA | 1 |
| CE "High" Voltage | V _{CEH} | - | 1.6 | - | V _{IN} | V | 1 |
| CE "Low" Voltage | V _{CEL} | - | - | - | 0.25 | | |
| CE "High" Current | I _{CEH} | V _{IN} = V _{CE} = V _{OUT(T)} +1.0V | -0.10 | - | 0.10 | μA | 2 |
| CE "Low" Current (G series) | I _{CEL} | V _{IN} = V _{OUT(T)} +1.0V, V _{CE} = V _{SS} | -20.0 | - | -3.2 | | |
| CE "Low" Current (H series) | | V _{IN} = V _{OUT(T)} +1.0V, V _{CE} = V _{SS} | -0.10 | - | 0.10 | | |

NOTE:

*1 : Unless otherwise stated, V_{IN}=V_{OUT(T)}+1.0V

*2 : V_{OUT(T)}=Specified output voltage

*3 : V_{OUT(E)}=Effective output voltage (i.e. the output voltage when "V_{OUT (T)}+1.0V" is provided at the V_{IN} pin while maintaining a certain I_{OUT} value).

*4 : V_{dif}={V_{IN1}^(*6)-V_{OUT1}^(*5)}

*5 : V_{OUT1}=A voltage equal to 98% of the output voltage whenever an amply stabilized I_{OUT} {V_{OUT(T)}+1.0V} is input.

*6 : V_{IN1}=The input voltage when V_{OUT1} appears as input voltage is gradually decreased.

■ ELECTRICAL CHARACTERISTICS (Continued)

XC6205A, B series

| PARAMETER | SYMBOL | CONDITIONS | Ta = 25°C | | | UNITS | CIRCUIT |
|---|--|--|-----------|---------------------|-----------------|-------------------|---------|
| | | | MIN. | TYP. | MAX. | | |
| Output Voltage (*3) (*7) | V _{OUT(E)} | I _{OUT} = 30mA | × 0.98 | V _{OUT(T)} | × 1.02 | V | 1 |
| Maximum Output Current | I _{OUTMAX} | | 150 | - | - | mA | 1 |
| Load Regulation | ΔV _{OUT} | 1mA ≤ I _{OUT} ≤ 100mA | - | 15 | 50 | mV | 1 |
| Dropout Voltage (*4) | V _{dif1} | I _{OUT} = 30mA | E-1 | | | mV | 1 |
| | V _{dif2} | I _{OUT} = 100mA | E-2 | | | | |
| Supply Current (A series) | I _{DD} | V _{IN} = V _{CE} = V _{OUT(T)} +1.0V When V _{OUT} ≤ 0.95V, V _{IN} = V _{CE} = 2.0V | 50 | 80 | 120 | μA | 2 |
| Supply Current (B series) | | V _{IN} = V _{CE} = V _{OUT(T)} +1.0V When V _{OUT} ≤ 0.95V, V _{IN} = V _{CE} = 2.0V | 40 | 70 | 100 | | |
| Standby Current | I _{stby} | V _{IN} = V _{OUT(T)} +1.0V, V _{CE} = V _{SS} When V _{OUT} ≤ 0.95V, V _{IN} = 2.0V | - | 0.01 | 0.10 | μA | 2 |
| Line Regulation | ΔV _{OUT} | V _{OUT(T)} +1.0V ≤ V _{IN} ≤ 10V I _{OUT} = 30mA, V _{CE} = V _{IN} When V _{OUT} ≤ 0.95V, 2.0V ≤ V _{IN} ≤ 10V | - | 0.01 | 0.20 | %V | 1 |
| | ΔV _{IN} · V _{OUT} | | | | | | |
| Input Voltage | V _{IN} | - | 2 | - | 10 | V | - |
| Output Voltage Temperature Characteristics | ΔV _{OUT} ΔT _{OP} · V _{OUT} | I _{OUT} = 30mA -40°C ≤ T _{OP} ≤ 85°C | - | 100 | - | ppm/ °C | 1 |
| Output Noise | e _n | I _{OUT} = 10mA 300Hz~50kHz | - | 30 | - | μV _{rms} | 3 |
| Ripple Rejection Rate | PSRR | V _{IN} = {V _{OUT(T)} +1.0}V+1.0Vp-pAC When V _{OUT} ≤ 1.5V, V _{IN} = 2.5V+1.0Vp-pAC I _{OUT} = 50mA, f = 10kHz | - | 65 | - | dB | 4 |
| Current Limiter | I _{lim} | V _{IN} = V _{OUT(T)} +2.0V, V _{CE} = V _{IN} | - | 300 | - | mA | 1 |
| Short-circuit Current | I _{short} | V _{IN} = V _{OUT(T)} +2.0V, V _{CE} = V _{IN} | - | 50 | - | mA | 1 |
| CE "High" Voltage | V _{CEH} | - | 1.6 | - | V _{IN} | V | 1 |
| CE "Low" Voltage | V _{CEL} | - | - | - | 0.25 | | |
| CE "High" Current (A series) | I _{CEH} | V _{IN} = V _{CE} = V _{OUT(T)} +1.0V When V _{OUT} ≤ 0.95V, V _{IN} = V _{CE} = 2.0V | 3.2 | - | 20.0 | μA | 2 |
| CE "High" Current (B series) | | V _{IN} = V _{CE} = V _{OUT(T)} +1.0V When V _{OUT} ≤ 0.95V, V _{IN} = V _{CE} = 2.0V | -0.10 | - | 0.10 | | |
| CE "Low" Current | I _{CEL} | V _{IN} = V _{OUT(T)} +1.0V, V _{CE} = V _{SS} When V _{OUT} ≤ 0.95V, V _{IN} = 2.0V | -0.10 | - | 0.10 | | |

NOTE:

*1 : Unless otherwise stated, V_{IN}=V_{OUT(T)}+1.0V

However, when V_{OUT} ≤ 0.95V, V_{IN}=2.0V

*2 : V_{OUT(T)}=Specified output voltage

*3 : V_{OUT(E)}=Effective output voltage (i.e. the output voltage when "V_{OUT (T)}+1.0V" is provided at the V_{IN} pin while maintaining a certain I_{OUT} value).

*4 : V_{dif}={V_{IN1}⁽⁶⁾-V_{OUT1}⁽⁵⁾}

*5 : V_{OUT1}=A voltage equal to 98% of the output voltage whenever an amply stabilized I_{OUT} {V_{OUT(T)}+1.0V} is input.

*6 : V_{IN1}=The input voltage when V_{OUT1} appears as input voltage is gradually decreased.

*8 : When V_{OUT(T)} ≤ 1.45V, MIN. ⇒ V_{OUT (T)}-30mV

MAX. ⇒ V_{OUT (T)}+30mV

■ ELECTRICAL CHARACTERISTICS (Continued)

XC6205C, D series

| PARAMETER | SYMBOL | CONDITIONS | Ta = 25°C | | | UNITS | CIRCUIT |
|---|---|--|-----------|---------------------|-----------------|-------------------|---------|
| | | | MIN. | TYP. | MAX. | | |
| Output Voltage (*3) (*7) | V _{OUT(E)} | I _{OUT} = 30mA | × 0.98 | V _{OUT(T)} | × 1.02 | V | 1 |
| Maximum Output Current | I _{OUTMAX} | | 150 | - | - | mA | 1 |
| Load Regulation | ΔV _{OUT} | 1mA ≤ I _{OUT} ≤ 100mA | - | 15 | 50 | mV | 1 |
| Dropout Voltage (*4) | V _{dif1} | I _{OUT} = 30mA | E-1 | | | mV | 1 |
| | V _{dif2} | I _{OUT} = 100mA | E-2 | | | | |
| Supply Current (C series) | I _{DD} | V _{IN} = V _{OUT(T)} +1.0V, V _{CE} = V _{SS} When V _{OUT} ≤ 0.95V, V _{IN} = 2.0V | 50 | 80 | 120 | μA | 2 |
| Supply Current (D series) | | V _{IN} = V _{OUT(T)} +1.0V, V _{CE} = V _{SS} When V _{OUT} ≤ 0.95V, V _{IN} = 2.0V | 40 | 70 | 100 | | |
| Standby Current | I _{stby} | V _{IN} = V _{CE} = V _{OUT(T)} +1.0V When V _{OUT} ≤ 0.95V, V _{IN} = V _{CE} = 2.0V | - | 0.01 | 0.10 | μA | 2 |
| Line Regulation | ΔV _{OUT} | V _{OUT(T)} +1.0V ≤ V _{IN} ≤ 10V I _{OUT} = 30mA, V _{CE} = V _{SS} When V _{OUT} ≤ 0.95V, 2.0V ≤ V _{IN} ≤ 10V | - | 0.01 | 0.20 | %V | 1 |
| | ΔV _{IN} · V _{OUT} | | | | | | |
| Input Voltage | V _{IN} | - | 2 | - | 10 | V | - |
| Output Voltage Temperature Characteristics | ΔV _{OUT} ΔT _{opr} · V _{OUT} | I _{OUT} = 30mA -40°C ≤ T _{opr} ≤ 85°C | - | 100 | - | ppm/ °C | 1 |
| Output Noise | e _n | I _{OUT} = 10mA 300Hz~50kHz | - | 30 | - | μV _{rms} | 3 |
| Ripple Rejection Rate | PSRR | V _{IN} = {V _{OUT(T)} +1.0V}+1.0Vp-pAC When V _{OUT} ≤ 1.5V, V _{IN} = 2.5V+1.0Vp-pAC I _{OUT} = 50mA, f = 10kHz | - | 65 | - | dB | 4 |
| Current Limiter | I _{lim} | V _{IN} = V _{OUT(T)} +2.0V, V _{CE} = V _{SS} | - | 300 | - | mA | 1 |
| Short-circuit Current | I _{short} | V _{IN} = V _{OUT(T)} +2.0V, V _{CE} = V _{SS} | - | 50 | - | mA | 1 |
| CE "High" Voltage | V _{CEH} | - | 1.6 | - | V _{IN} | V | 1 |
| CE "Low" Voltage | V _{CEL} | - | - | - | 0.25 | | |
| CE "High" Current | I _{CEH} | V _{IN} = V _{CE} = V _{OUT(T)} +1.0V When V _{OUT} ≤ 0.95V, V _{IN} = V _{CE} = 2.0V | -0.10 | - | 0.10 | μA | 2 |
| CE "Low" Current (C series) | I _{CEL} | V _{IN} = V _{OUT(T)} +1.0V, V _{CE} = V _{SS} When V _{OUT} ≤ 0.95V, V _{IN} = 2.0V | -20.0 | - | -3.2 | | |
| CE "Low" Current (D series) | | V _{IN} = V _{OUT(T)} +1.0V, V _{CE} = V _{SS} When V _{OUT} ≤ 0.95V, V _{IN} = 2.0V | -0.10 | - | 0.10 | | |

NOTE:

*1 : Unless otherwise stated, V_{IN}=V_{OUT(T)}+1.0V

However, when V_{OUT} ≤ 0.95V, V_{IN}=2.0V

*2 : V_{OUT(T)}=Specified output voltage

*3 : V_{OUT(E)}=Effective output voltage (i.e. the output voltage when "V_{OUT (T)}+1.0V" is provided at the V_{IN} pin while maintaining a certain I_{OUT} value).

*4 : V_{dif}={V_{IN1}⁽⁶⁾-V_{OUT1}^{(5)}}

*5 : V_{OUT1}=A voltage equal to 98% of the output voltage whenever an amply stabilized I_{OUT} {V_{OUT(T)}+1.0V} is input.

*6 : V_{IN1}=The input voltage when V_{OUT1} appears as input voltage is gradually decreased.

*7 : When V_{OUT(T)} ≤ 1.45V, MIN. ⇒ V_{OUT (T)}-30mV

MAX. ⇒ V_{OUT (T)}+30mV

ELECTRICAL CHARACTERISTICS (Continued)

XC6205E, F series

| PARAMETER | SYMBOL | CONDITIONS | Ta = 25°C | | | UNITS | CIRCUIT |
|---|--|--|-----------|---------------------|-----------------|-------------------|---------|
| | | | MIN. | TYP. | MAX. | | |
| Output Voltage (*3) (*7) | V _{OUT(E)} | I _{OUT} = 30mA | × 0.98 | V _{OUT(T)} | × 1.02 | V | 1 |
| Maximum Output Current (*8) | I _{OUTMAX} | V _{IN} = E-5 | E-4 | | | mA | 1 |
| Load Regulation | ΔV _{OUT} | 1mA ≤ I _{OUT} ≤ 100mA | - | 15 | 50 | mV | 1 |
| Dropout Voltage (*4) | V _{dif1} | I _{OUT} = 30mA | E-1 | | | mV | 1 |
| | V _{dif2} | I _{OUT} = 100mA | E-2 | | | | |
| Supply Current (E series) | I _{DD} | V _{IN} = V _{OUT(T)} +1.0V, V _{CE} = V _{SS} When V _{OUT} ≤ 0.95V, V _{IN} = V _{CE} = 2.0V | 50 | 80 | 120 | μA | 2 |
| Supply Current (F series) | | V _{IN} = V _{CE} = V _{OUT(T)} +1.0V When V _{OUT} ≤ 0.95V, V _{IN} = V _{CE} = 2.0V | 40 | 70 | 100 | | |
| Standby Current | I _{stby} | V _{IN} = V _{OUT(T)} +1.0V, V _{CE} = V _{SS} When V _{OUT} ≤ 0.95V, V _{IN} = 2.0V | - | 0.01 | 0.10 | μA | 2 |
| Line Regulation | ΔV _{OUT} | V _{OUT(T)} +1.0V ≤ V _{IN} ≤ 10V I _{OUT} = 30mA, V _{CE} = V _{IN} When V _{OUT} ≤ 0.95V, 2.0V ≤ V _{IN} ≤ 10V | - | 0.01 | 0.20 | %V | 1 |
| | ΔV _{IN} ·V _{OUT} | | | | | | |
| Input Voltage | V _{IN} | - | 2 | - | 10 | V | - |
| Output Voltage Temperature Characteristics | ΔV _{OUT} ΔT _{opr} ·V _{OUT} | I _{OUT} = 30mA -40°C ≤ T _{opr} ≤ 85°C | - | 100 | - | ppm/ °C | 1 |
| Output Noise | e _n | I _{OUT} = 10mA 300Hz~50kHz | - | 30 | - | μV _{rms} | 3 |
| Ripple Rejection Rate | PSRR | V _{IN} = {V _{OUT(T)} +1.0}V+1.0Vp-pAC When V _{OUT} ≤ 1.5V, V _{IN} = 2.5V+1.0Vp-pAC I _{OUT} = 50mA, f = 10kHz | - | 65 | - | dB | 4 |
| Current Limiter | I _{lim} | V _{IN} = V _{OUT(T)} +2.0V, V _{CE} = V _{IN} | - | 380 | - | mA | 1 |
| Short-circuit Current | I _{short} | V _{IN} = V _{OUT(T)} +2.0V, V _{CE} = V _{IN} | - | 50 | - | mA | 1 |
| CE "High" Voltage | V _{CEH} | - | 1.6 | - | V _{IN} | V | 1 |
| CE "Low" Voltage | V _{CEL} | - | - | - | 0.25 | | |
| CE "High" Current (E series) | I _{CEH} | V _{IN} = V _{CE} = V _{OUT(T)} +1.0V When V _{OUT} ≤ 0.95V, V _{IN} = V _{CE} = 2.0V | 3.2 | - | 20.0 | μA | 2 |
| CE "High" Current (F series) | | V _{IN} = V _{CE} = V _{OUT(T)} +1.0V When V _{OUT} ≤ 0.95V, V _{IN} = V _{CE} = 2.0V | -0.10 | - | 0.10 | | |
| CE "Low" Current | I _{CEL} | V _{IN} = V _{OUT(T)} +1.0V, V _{CE} = V _{SS} When V _{OUT} ≤ 0.95V, V _{IN} = 2.0V | -0.10 | - | 0.10 | | |

NOTE:

*1 : Unless otherwise stated, V_{IN}=V_{OUT(T)}+1.0V

However, when V_{OUT} ≤ 0.95V, V_{IN}=2.0V

*2 : V_{OUT(T)}=Specified output voltage

*3 : V_{OUT(E)}=Effective output voltage (i.e. the output voltage when "V_{OUT (T)}+1.0V" is provided at the V_{IN} pin while maintaining a certain I_{OUT} value).

*4 : V_{dif}={V_{IN1}(*6)-V_{OUT1}(*5)}

*5 : V_{OUT1}=A voltage equal to 98% of the output voltage whenever an amply stabilized I_{OUT} {V_{OUT(T)}+1.0V} is input.

*6 : V_{IN1}=The input voltage when V_{OUT1} appears as input voltage is gradually decreased.

*7 : When V_{OUT(T)} ≤ 1.45V, MIN. ⇒ V_{OUT (T)}-30mV

MAX. ⇒ V_{OUT (T)}+30mV

*8 : Refer to "Specification & Condition by Series"

ELECTRICAL CHARACTERISTICS (Continued)

XC6205G, H series

| PARAMETER | SYMBOL | CONDITIONS | Ta = 25°C | | | UNITS | CIRCUIT |
|---|--|--|-----------|---------------------|-----------------|-------------------|---------|
| | | | MIN. | TYP. | MAX. | | |
| Output Voltage (*3) (*7) | V _{OUT(E)} | I _{OUT} = 30mA | × 0.98 | V _{OUT(T)} | × 1.02 | V | 1 |
| Maximum Output Current (*8) | I _{OUTMAX} | V _{IN} = E-5 | E-4 | - | - | mA | 1 |
| Load Regulation | ΔV _{OUT} | 1mA ≤ I _{OUT} ≤ 100mA | - | 15 | 50 | mV | 1 |
| Dropout Voltage (*4) | V _{dif1} | I _{OUT} = 30mA | E-1 | | | mV | 1 |
| | V _{dif2} | I _{OUT} = 100mA | E-2 | | | | |
| Supply Current (G series) | I _{DD} | V _{IN} = V _{OUT(T)} +1.0V, V _{CE} = V _{SS} When V _{OUT} ≤ 0.95V, V _{IN} = 2.0V | 50 | 80 | 120 | μA | 2 |
| Supply Current (H series) | | V _{IN} = V _{OUT(T)} +1.0V, V _{CE} = V _{SS} When V _{OUT} ≤ 0.95V, V _{IN} = 2.0V | 40 | 70 | 100 | | |
| Standby Current | I _{stby} | V _{IN} = V _{CE} = V _{OUT(T)} +1.0V When V _{OUT} ≤ 0.95V, V _{IN} = V _{CE} = 2.0V | - | 0.01 | 0.10 | μA | 2 |
| Line Regulation | ΔV _{OUT} | V _{OUT(T)} +1.0V ≤ V _{IN} ≤ 10V I _{OUT} = 30mA, V _{CE} = V _{SS} When V _{OUT} ≤ 0.95V, 2.0V ≤ V _{IN} ≤ 10V | - | 0.01 | 0.20 | %V | 1 |
| | ΔV _{IN} ·V _{OUT} | | | | | | |
| Input Voltage | V _{IN} | - | 2 | - | 10 | V | - |
| Output Voltage Temperature Characteristics | ΔV _{OUT} ΔT _{opr} ·V _{OUT} | I _{OUT} = 30mA -40°C ≤ T _{opr} ≤ 85°C | - | 100 | - | ppm/ °C | 1 |
| Output Noise | e _n | I _{OUT} = 10mA 300Hz~50kHz | - | 30 | - | μV _{rms} | 3 |
| Ripple Rejection Rate | PSRR | V _{IN} = {V _{OUT(T)} +1.0}V+1.0Vp-pAC When V _{OUT} ≤ 1.5V, V _{IN} = 2.5V+1.0Vp-pAC I _{OUT} = 50mA, f = 10kHz | - | 65 | - | dB | 4 |
| Current Limiter | I _{lim} | V _{IN} = V _{OUT(T)} +2.0V, V _{CE} = V _{SS} | - | 380 | - | mA | 1 |
| Short-circuit Current | I _{short} | V _{IN} = V _{OUT(T)} +2.0V, V _{CE} = V _{SS} | - | 50 | - | mA | 1 |
| CE "High" Voltage | V _{CEH} | - | 1.6 | - | V _{IN} | V | 1 |
| CE "Low" Voltage | V _{CEL} | - | - | - | 0.25 | | |
| CE "High" Current | I _{CEH} | V _{IN} = V _{CE} = V _{OUT(T)} +1.0V When V _{OUT} ≤ 0.95V, V _{IN} = V _{CE} = 2.0V | -0.10 | - | 0.10 | μA | 2 |
| CE "Low" Current (G series) | I _{CEL} | V _{IN} = V _{OUT(T)} +1.0V, V _{CE} = V _{SS} When V _{OUT} ≤ 0.95V, V _{IN} = 2.0V | -20.0 | - | -3.2 | | |
| CE "Low" Current (H series) | | V _{IN} = V _{OUT(T)} +1.0V, V _{CE} = V _{SS} When V _{OUT} ≤ 0.95V, V _{IN} = 2.0V | -0.10 | - | 0.10 | | |

NOTE:

- *1 : Unless otherwise stated, V_{IN}=V_{OUT(T)}+1.0V
However, when V_{OUT} ≤ 0.95V, V_{IN}=2.0V
- *2 : V_{OUT(T)}=Specified output voltage
- *3 : V_{OUT(E)}=Effective output voltage (i.e. the output voltage when "V_{OUT(T)}+1.0V" is provided at the V_{IN} pin while maintaining a certain I_{OUT} value).
- *4 : V_{dif}={V_{IN1}⁽⁶⁾-V_{OUT1}⁽⁵⁾}
- *5 : V_{OUT1}=A voltage equal to 98% of the output voltage whenever an amply stabilized I_{OUT} {V_{OUT(T)}+1.0V} is input.
- *6 : V_{IN1}=The input voltage when V_{OUT1} appears as input voltage is gradually decreased.
- *7 : When V_{OUT(T)} ≤ 1.45V, MIN. ⇒ V_{OUT(T)}-30mV
MAX. ⇒ V_{OUT(T)}+30mV
- *8 : Refer to "Specification & Condition by Series"

■ ELECTRICAL CHARACTERISTICS (Continued)

● Voltage Chart

XC6204 series Note: For the XC6204E, F, G, H series, see the item "Ta=25°C" only.

| SYMBOL PARAMETER SETTING OUTPUT VOLTAGE (V) | E-0 | | E-1 | | | | E-2 | | | |
|--|--|-------|--|------|---------------------------------|------|---|------|---------------------------------|------|
| | OUTPUT VOLTAGE (V) (2% products) | | DROPOUT VOLTAGE 1 (mV) I _{OUT} =30mA | | | | DROPOUT VOLTAGE 2 (mV) I _{OUT} =100mA | | | |
| | V _{OUT} | | V _{dif} 1 | | | | V _{dif} 2 | | | |
| | | | Ta = 25°C | | -40°C ≤ T _{opr} ≤ 85°C | | Ta = 25°C | | -40°C ≤ T _{opr} ≤ 85°C | |
| V _{OUT} (T) | MIN. | MAX. | TYP. | MAX. | TYP. | MAX. | TYP. | MAX. | TYP. | MAX. |
| 1.80 | 1.764 | 1.836 | 200 | 210 | 210 | 230 | 300 | 400 | 340 | 480 |
| 1.85 | 1.813 | 1.887 | 200 | 210 | 210 | 230 | 300 | 400 | 340 | 480 |
| 1.90 | 1.862 | 1.938 | 120 | 150 | 130 | 170 | 280 | 380 | 320 | 460 |
| 1.95 | 1.911 | 1.989 | 120 | 150 | 130 | 170 | 280 | 380 | 320 | 460 |
| 2.00 | 1.960 | 2.040 | 80 | 120 | 90 | 140 | 240 | 350 | 280 | 430 |
| 2.05 | 2.009 | 2.091 | 80 | 120 | 90 | 140 | 240 | 350 | 280 | 430 |
| 2.10 | 2.058 | 2.142 | 80 | 120 | 90 | 140 | 240 | 330 | 280 | 410 |
| 2.15 | 2.107 | 2.193 | 80 | 120 | 90 | 140 | 240 | 330 | 280 | 410 |
| 2.20 | 2.156 | 2.244 | 80 | 120 | 90 | 140 | 240 | 330 | 280 | 410 |
| 2.25 | 2.205 | 2.295 | 80 | 120 | 90 | 140 | 240 | 330 | 280 | 410 |
| 2.30 | 2.254 | 2.346 | 80 | 120 | 90 | 140 | 240 | 310 | 280 | 390 |
| 2.35 | 2.303 | 2.397 | 80 | 120 | 90 | 140 | 240 | 310 | 280 | 390 |
| 2.40 | 2.352 | 2.448 | 80 | 120 | 90 | 140 | 240 | 310 | 280 | 390 |
| 2.45 | 2.401 | 2.499 | 80 | 120 | 90 | 140 | 240 | 310 | 280 | 390 |
| 2.50 | 2.450 | 2.550 | 70 | 100 | 80 | 120 | 220 | 290 | 260 | 370 |
| 2.55 | 2.499 | 2.601 | 70 | 100 | 80 | 120 | 220 | 290 | 260 | 370 |
| 2.60 | 2.548 | 2.652 | 70 | 100 | 80 | 120 | 220 | 290 | 260 | 370 |
| 2.65 | 2.597 | 2.703 | 70 | 100 | 80 | 120 | 220 | 290 | 260 | 370 |
| 2.70 | 2.646 | 2.754 | 70 | 100 | 80 | 120 | 220 | 290 | 260 | 370 |
| 2.75 | 2.695 | 2.805 | 70 | 100 | 80 | 120 | 220 | 290 | 260 | 370 |
| 2.80 | 2.744 | 2.856 | 70 | 100 | 80 | 120 | 220 | 270 | 260 | 350 |
| 2.85 | 2.793 | 2.907 | 70 | 100 | 80 | 120 | 220 | 270 | 260 | 350 |
| 2.90 | 2.842 | 2.958 | 70 | 100 | 80 | 120 | 220 | 270 | 260 | 350 |
| 2.95 | 2.891 | 3.009 | 70 | 100 | 80 | 120 | 220 | 270 | 260 | 350 |
| 3.00 | 2.940 | 3.060 | 60 | 90 | 70 | 110 | 200 | 270 | 240 | 350 |
| 3.05 | 2.989 | 3.111 | 60 | 90 | 70 | 110 | 200 | 270 | 240 | 350 |
| 3.10 | 3.038 | 3.162 | 60 | 90 | 70 | 110 | 200 | 250 | 240 | 330 |
| 3.15 | 3.087 | 3.213 | 60 | 90 | 70 | 110 | 200 | 250 | 240 | 330 |
| 3.20 | 3.136 | 3.264 | 60 | 90 | 70 | 110 | 200 | 250 | 240 | 330 |
| 3.25 | 3.185 | 3.315 | 60 | 90 | 70 | 110 | 200 | 250 | 240 | 330 |
| 3.30 | 3.234 | 3.366 | 60 | 90 | 70 | 110 | 200 | 250 | 240 | 330 |
| 3.35 | 3.283 | 3.417 | 60 | 90 | 70 | 110 | 200 | 250 | 240 | 330 |
| 3.40 | 3.332 | 3.468 | 60 | 90 | 70 | 110 | 200 | 250 | 240 | 330 |
| 3.45 | 3.381 | 3.519 | 60 | 90 | 70 | 110 | 200 | 250 | 240 | 330 |
| 3.50 | 3.430 | 3.570 | 60 | 90 | 70 | 110 | 200 | 250 | 240 | 330 |
| 3.55 | 3.479 | 3.621 | 60 | 90 | 70 | 110 | 200 | 250 | 240 | 330 |
| 3.60 | 3.528 | 3.672 | 60 | 90 | 70 | 110 | 200 | 250 | 240 | 330 |
| 3.65 | 3.577 | 3.723 | 60 | 90 | 70 | 110 | 200 | 250 | 240 | 330 |
| 3.70 | 3.626 | 3.774 | 60 | 90 | 70 | 110 | 200 | 250 | 240 | 330 |
| 3.75 | 3.675 | 3.825 | 60 | 90 | 70 | 110 | 200 | 250 | 240 | 330 |
| 3.80 | 3.724 | 3.876 | 60 | 90 | 70 | 110 | 200 | 250 | 240 | 330 |
| 3.85 | 3.773 | 3.927 | 60 | 90 | 70 | 110 | 200 | 250 | 240 | 330 |
| 3.90 | 3.822 | 3.978 | 60 | 90 | 70 | 110 | 200 | 250 | 240 | 330 |
| 3.95 | 3.871 | 4.029 | 60 | 90 | 70 | 110 | 200 | 250 | 240 | 330 |

■ ELECTRICAL CHARACTERISTICS (Continued)

● Voltage Chart (Continued)

XC6204 series (Continued) Note: For the XC6204E, F, G, H series, see the item "Ta=25°C" only.

| SYMBOL | E-0 | | E-1 | | | | E-2 | | | |
|---------------------|--------------------|-------|------------------------|------|---------------------|------|-------------------------|------|---------------------|------|
| PARAMETER | OUTPUT VOLTAGE (V) | | DROPOUT VOLTAGE 1 (mV) | | | | DROPOUT VOLTAGE 2 (mV) | | | |
| SETTING | (2% products) | | I _{OUT} =30mA | | | | I _{OUT} =100mA | | | |
| OUTPUT VOLTAGE (V) | V _{OUT} | | V _{dif} 1 | | | | V _{dif} 2 | | | |
| V _{OUT(T)} | | | Ta = 25°C | | -40°C ≤ Topr ≤ 85°C | | Ta = 25°C | | -40°C ≤ Topr ≤ 85°C | |
| | MIN. | MAX. | TYP. | MAX. | TYP. | MAX. | TYP. | MAX. | TYP. | MAX. |
| 4.00 | 3.920 | 4.080 | 60 | 80 | 70 | 100 | 180 | 230 | 220 | 310 |
| 4.05 | 3.969 | 4.131 | 60 | 80 | 70 | 100 | 180 | 230 | 220 | 310 |
| 4.10 | 4.018 | 4.182 | 60 | 80 | 70 | 100 | 180 | 230 | 220 | 310 |
| 4.15 | 4.067 | 4.233 | 60 | 80 | 70 | 100 | 180 | 230 | 220 | 310 |
| 4.20 | 4.116 | 4.284 | 60 | 80 | 70 | 100 | 180 | 230 | 220 | 310 |
| 4.25 | 4.165 | 4.335 | 60 | 80 | 70 | 100 | 180 | 230 | 220 | 310 |
| 4.30 | 4.214 | 4.386 | 60 | 80 | 70 | 100 | 180 | 230 | 220 | 310 |
| 4.35 | 4.263 | 4.437 | 60 | 80 | 70 | 100 | 180 | 230 | 220 | 310 |
| 4.40 | 4.312 | 4.488 | 60 | 80 | 70 | 100 | 180 | 230 | 220 | 310 |
| 4.45 | 4.361 | 4.539 | 60 | 80 | 70 | 100 | 180 | 230 | 220 | 310 |
| 4.50 | 4.410 | 4.590 | 60 | 80 | 70 | 100 | 180 | 230 | 220 | 310 |
| 4.55 | 4.459 | 4.641 | 60 | 80 | 70 | 100 | 180 | 230 | 220 | 310 |
| 4.60 | 4.508 | 4.692 | 60 | 80 | 70 | 100 | 180 | 230 | 220 | 310 |
| 4.65 | 4.557 | 4.743 | 60 | 80 | 70 | 100 | 180 | 230 | 220 | 310 |
| 4.70 | 4.606 | 4.794 | 60 | 80 | 70 | 100 | 180 | 230 | 220 | 310 |
| 4.75 | 4.655 | 4.845 | 60 | 80 | 70 | 100 | 180 | 230 | 220 | 310 |
| 4.80 | 4.704 | 4.896 | 60 | 80 | 70 | 100 | 180 | 230 | 220 | 310 |
| 4.85 | 4.753 | 4.947 | 60 | 80 | 70 | 100 | 180 | 230 | 220 | 310 |
| 4.90 | 4.802 | 4.998 | 60 | 80 | 70 | 100 | 180 | 230 | 220 | 310 |
| 4.95 | 4.851 | 5.049 | 60 | 80 | 70 | 100 | 180 | 230 | 220 | 310 |
| 5.00 | 4.900 | 5.100 | 50 | 70 | 60 | 90 | 160 | 210 | 200 | 290 |
| 5.05 | 4.949 | 5.151 | 50 | 70 | 60 | 90 | 160 | 210 | 200 | 290 |
| 5.10 | 4.998 | 5.202 | 50 | 70 | 60 | 90 | 160 | 210 | 200 | 290 |
| 5.15 | 5.047 | 5.253 | 50 | 70 | 60 | 90 | 160 | 210 | 200 | 290 |
| 5.20 | 5.096 | 5.304 | 50 | 70 | 60 | 90 | 160 | 210 | 200 | 290 |
| 5.25 | 5.145 | 5.355 | 50 | 70 | 60 | 90 | 160 | 210 | 200 | 290 |
| 5.30 | 5.194 | 5.406 | 50 | 70 | 60 | 90 | 160 | 210 | 200 | 290 |
| 5.35 | 5.243 | 5.457 | 50 | 70 | 60 | 90 | 160 | 210 | 200 | 290 |
| 5.40 | 5.292 | 5.508 | 50 | 70 | 60 | 90 | 160 | 210 | 200 | 290 |
| 5.45 | 5.341 | 5.559 | 50 | 70 | 60 | 90 | 160 | 210 | 200 | 290 |
| 5.50 | 5.390 | 5.610 | 50 | 70 | 60 | 90 | 160 | 210 | 200 | 290 |
| 5.55 | 5.439 | 5.661 | 50 | 70 | 60 | 90 | 160 | 210 | 200 | 290 |
| 5.60 | 5.488 | 5.712 | 50 | 70 | 60 | 90 | 160 | 210 | 200 | 290 |
| 5.65 | 5.537 | 5.763 | 50 | 70 | 60 | 90 | 160 | 210 | 200 | 290 |
| 5.70 | 5.586 | 5.814 | 50 | 70 | 60 | 90 | 160 | 210 | 200 | 290 |
| 5.75 | 5.635 | 5.865 | 50 | 70 | 60 | 90 | 160 | 210 | 200 | 290 |
| 5.80 | 5.684 | 5.916 | 50 | 70 | 60 | 90 | 160 | 210 | 200 | 290 |
| 5.85 | 5.733 | 5.967 | 50 | 70 | 60 | 90 | 160 | 210 | 200 | 290 |
| 5.90 | 5.782 | 6.018 | 50 | 70 | 60 | 90 | 160 | 210 | 200 | 290 |
| 5.95 | 5.831 | 6.069 | 50 | 70 | 60 | 90 | 160 | 210 | 200 | 290 |
| 6.00 | 5.880 | 6.120 | 50 | 70 | 60 | 90 | 160 | 210 | 200 | 290 |

■ ELECTRICAL CHARACTERISTICS (Continued)

● Voltage Chart (Continued)

XC6204 series, 1% products

Note: ±1% output voltage accuracy products are available for the XC6204E~H series from VOUT=2.95V.

| SYMBOL | E-0 | |
|----------------------------|--------------------|-------|
| PARAMETER | OUTPUT VOLTAGE (V) | |
| SETTING OUTPUT VOLTAGE (V) | (1% products) | |
| VOUT (T) | VOUT | |
| | MIN. | MAX. |
| 2.95 | 2.921 | 2.980 |
| 3.00 | 2.970 | 3.030 |
| 3.05 | 3.020 | 3.081 |
| 3.10 | 3.069 | 3.131 |
| 3.15 | 3.119 | 3.182 |
| 3.20 | 3.168 | 3.232 |
| 3.25 | 3.218 | 3.283 |
| 3.30 | 3.267 | 3.333 |
| 3.35 | 3.317 | 3.384 |
| 3.40 | 3.366 | 3.434 |
| 3.45 | 3.416 | 3.485 |
| 3.50 | 3.465 | 3.535 |
| 3.55 | 3.515 | 3.586 |
| 3.60 | 3.564 | 3.636 |
| 3.65 | 3.614 | 3.687 |
| 3.70 | 3.663 | 3.737 |
| 3.75 | 3.713 | 3.788 |
| 3.80 | 3.762 | 3.838 |
| 3.85 | 3.812 | 3.889 |
| 3.90 | 3.861 | 3.939 |
| 3.95 | 3.911 | 3.990 |
| 4.00 | 3.960 | 4.040 |
| 4.05 | 4.010 | 4.091 |
| 4.10 | 4.059 | 4.141 |
| 4.15 | 4.109 | 4.192 |
| 4.20 | 4.158 | 4.242 |
| 4.25 | 4.208 | 4.293 |
| 4.30 | 4.257 | 4.343 |
| 4.35 | 4.307 | 4.394 |
| 4.40 | 4.356 | 4.444 |
| 4.45 | 4.405 | 4.494 |
| 4.50 | 4.455 | 4.545 |

| SYMBOL | E-0 | |
|----------------------------|--------------------|-------|
| PARAMETER | OUTPUT VOLTAGE (V) | |
| SETTING OUTPUT VOLTAGE (V) | (1% products) | |
| VOUT (T) | VOUT | |
| | MIN. | MAX. |
| 4.55 | 4.505 | 4.596 |
| 4.60 | 4.554 | 4.646 |
| 4.65 | 4.604 | 4.697 |
| 4.70 | 4.653 | 4.747 |
| 4.75 | 4.703 | 4.798 |
| 4.80 | 4.752 | 4.848 |
| 4.85 | 4.802 | 4.899 |
| 4.90 | 4.851 | 4.949 |
| 4.95 | 4.901 | 5.000 |
| 5.00 | 4.950 | 5.050 |
| 5.05 | 5.000 | 5.101 |
| 5.10 | 5.049 | 5.151 |
| 5.15 | 5.099 | 5.202 |
| 5.20 | 5.148 | 5.252 |
| 5.25 | 5.198 | 5.303 |
| 5.30 | 5.247 | 5.353 |
| 5.35 | 5.297 | 5.404 |
| 5.40 | 5.346 | 5.454 |
| 5.45 | 5.396 | 5.505 |
| 5.50 | 5.445 | 5.555 |
| 5.55 | 5.495 | 5.606 |
| 5.60 | 5.544 | 5.656 |
| 5.65 | 5.594 | 5.707 |
| 5.70 | 5.643 | 5.757 |
| 5.75 | 5.693 | 5.808 |
| 5.80 | 5.742 | 5.858 |
| 5.85 | 5.792 | 5.909 |
| 5.90 | 5.841 | 5.959 |
| 5.95 | 5.891 | 6.010 |
| 6.00 | 5.940 | 6.060 |

■ ELECTRICAL CHARACTERISTICS (Continued)

● Voltage Chart (Continued)

XC6205 series

| SYMBOL PARAMETER SETTING OUTPUT VOLTAGE (V) | E-0 | | E-1 | | E-2 | |
|--|--------------------|-------|---|------|---|------|
| | OUTPUT VOLTAGE (V) | | DROPOUT VOLTAGE1 (mV) I _{OUT} =30mA | | DROPOUT VOLTAGE 2 (mV) I _{OUT} =100mA | |
| V _{OUT} (T) | V _{OUT} | | Ta = 25°C | | | |
| | MIN. | MAX. | Vdif 1 | | Vdif 2 | |
| | | | TYP. | MAX. | TYP. | MAX. |
| 0.90 | 0.870 | 0.930 | 1050 | 1100 | 1150 | 1200 |
| 0.95 | 0.920 | 0.980 | 1050 | 1100 | 1150 | 1200 |
| 1.00 | 0.970 | 1.030 | 1000 | 1100 | 1050 | 1200 |
| 1.05 | 1.020 | 1.080 | 1000 | 1100 | 1050 | 1200 |
| 1.10 | 1.070 | 1.130 | 900 | 1000 | 950 | 1100 |
| 1.15 | 1.120 | 1.180 | 900 | 1000 | 950 | 1100 |
| 1.20 | 1.170 | 1.230 | 800 | 900 | 850 | 1000 |
| 1.25 | 1.220 | 1.280 | 800 | 900 | 850 | 1000 |
| 1.30 | 1.270 | 1.330 | 700 | 800 | 750 | 900 |
| 1.35 | 1.320 | 1.380 | 700 | 800 | 750 | 900 |
| 1.40 | 1.370 | 1.430 | 600 | 700 | 650 | 800 |
| 1.45 | 1.420 | 1.480 | 600 | 700 | 650 | 800 |
| 1.50 | 1.470 | 1.530 | 500 | 600 | 550 | 700 |
| 1.55 | 1.519 | 1.581 | 500 | 600 | 550 | 700 |
| 1.60 | 1.568 | 1.632 | 400 | 500 | 500 | 600 |
| 1.65 | 1.617 | 1.683 | 400 | 500 | 500 | 600 |
| 1.70 | 1.666 | 1.734 | 300 | 400 | 400 | 500 |
| 1.75 | 1.715 | 1.785 | 300 | 400 | 400 | 500 |

● Specification Chart by Series

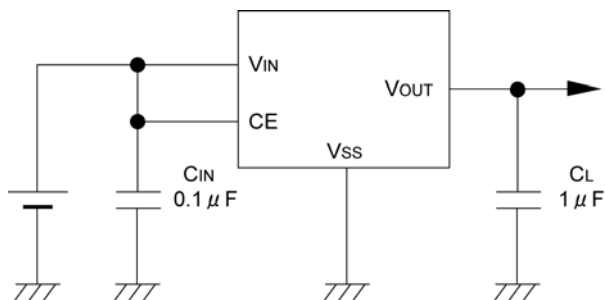
| SYMBOL PRODUCT SERIES | S-1 SUPPLY CURRENT (μA) | | S-2 CE "H" CURRENT (μA) | S-3 CE "L" CURRENT (μA) |
|--------------------------|----------------------------|-------|----------------------------|----------------------------|
| | MIN. | MAX. | | |
| XC6205A | 52.0 | 115.0 | 18.0 | -0.1 |
| XC6205B | 42.0 | 95.0 | 0.1 | -0.1 |
| XC6205C | 52.0 | 115.0 | 0.1 | -18.0 |
| XC6205D | 42.0 | 95.0 | 0.1 | -0.1 |

● Specification & Condition by Series

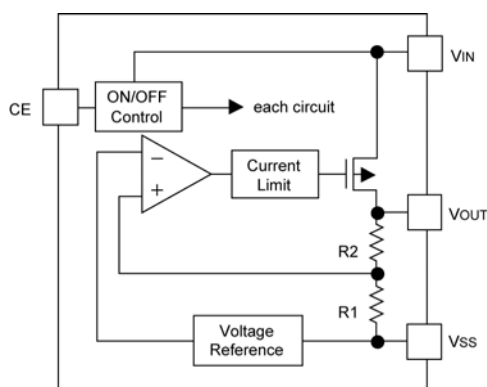
| SYMBOL SPECIFIED OUTPUT VOLTAGE (V) | E-5 INPUT VOLTAGE (V) | E-4 MAXIMUM OUTPUT CURRENT (mA) |
|--|--------------------------|------------------------------------|
| | V _{IN} | MIN. |
| 0.90~0.95 | 2.5 | 260 |
| 1.00~1.05 | 2.5 | 260 |
| 1.10~1.15 | 2.6 | 270 |
| 1.20~1.25 | 2.7 | 290 |
| 1.30~1.35 | 2.8 | 300 |
| 1.40~1.45 | 2.9 | |
| 1.50~1.75 | 3.0 | |

* V_{OUT(T)}=Specified output voltage

■ TYPICAL APPLICATION CIRCUIT



■ OPERATIONAL EXPLANATION



Output voltage control with the XC6204/6205 series:

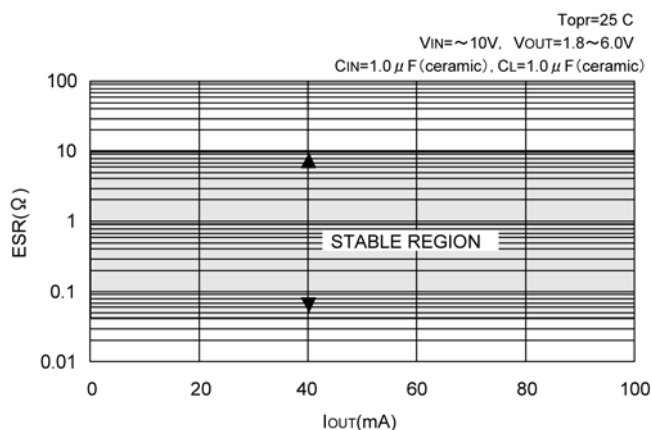
The voltage divided by resistors R1 & R2 is compared with the internal reference voltage by the error amplifier.

The P-channel MOSFET, which is connected to the VOUT pin, is then driven by the subsequent output signal. The output voltage at the VOUT pin is controlled & stabilized by a system of negative feedback.

The current limit circuit and short protect circuit operate in relation to the level of output current. Further, the IC's internal circuitry can be shutdown via the CE pin's signal.

< Low ESR Capacitors >

With the XC6204/05 series, a stable output voltage is achievable even if used with a low ESR capacitor as a phase compensation circuit is built-in. In order to ensure the effectiveness of the phase compensation, we suggest that an output capacitor (CL) is connected as close as possible to the output pin (VOUT) and the VSS pin. Please use an output capacitor with a capacitance value of at least 1 μF. Also, please connect an input capacitor (CIN) of 0.1 μF between the VIN pin and the VSS pin in order to ensure a stable power input.



● Recommended output capacitor values

| | | |
|------------------|-------------|---------------|
| V _{OUT} | 0.9V ~ 1.2V | 1.25V ~ 1.75V |
| C _L | 4.7 μF | 2.2 μF |

OPERATIONAL EXPLANATION (Continued)

<Current Limiter, Short-Circuit Protection>

The XC6204/05 series includes a combination of a fixed current limiter circuit & a foldback circuit, which aid the operations of the current limiter and circuit protection. When the load current reaches the current limit level, the fixed current limiter circuit operates and output voltage drops. As a result of this drop in output voltage, the foldback circuit operates, output voltage drops further and output current decreases. When the output pin is shorted, a current of about 50mA flows. However, when the input/output voltage differential is quite small, this current will be about 200mA.

<CE Pin>

The IC's internal circuitry can be shutdown via the signal from the CE pin with the XC6204/05 series. In shutdown mode, output at the VOUT pin will be pulled down to the VSS level via R1 & R2. The operational logic of the IC's CE pin is selectable (please refer to the selection guide). Note that as the standard XC6204/05B type is 'High Active/No Pull Down', operations will become unstable with the CE pin open. Although the CE pin is equal to an inverter input with CMOS hysteresis, with either the pull-up or pull-down options, the CE pin input current will increase when the IC is in operation.

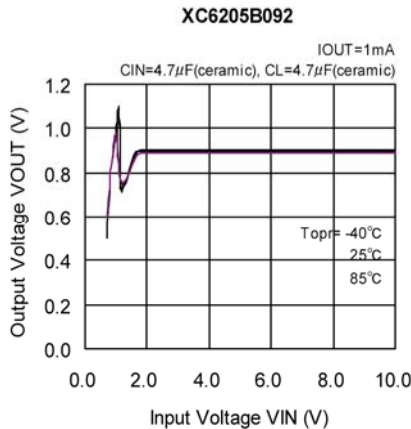
We suggest that you use this IC with either a VIN voltage or a VSS voltage input at the CE pin. If this IC is used with the correct specifications for the CE pin, the operational logic is fixed and the IC will operate normally. However, supply current may increase as a result of through current in the IC's internal circuitry if a voltage between 0.25V and 1.5V is input.

<Minimum Operating Voltage>

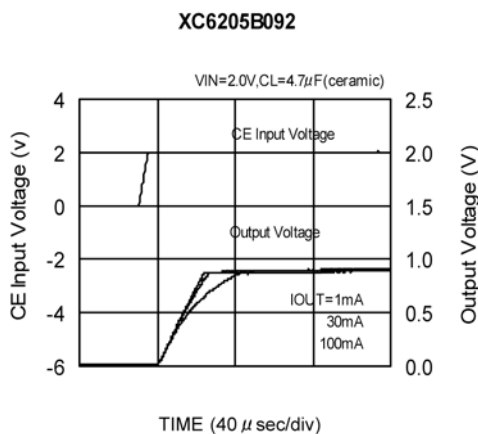
In order to stabilize the IC's operations, an input voltage of more than 2.0V is needed. Should the input voltage be less than 2.0V, the output voltage may not be regulated correctly. (Please refer to Input Voltage vs. Output Voltage characteristics below.)

- ① When VIN is less than 2.0V, the CE pin remains in stand-by mode. When VIN rises above 2.0V, the power supply will turn ON.
- ② The input power supply will begin to rise after a few hundred msec. (Please also refer to the transient response characteristics.)

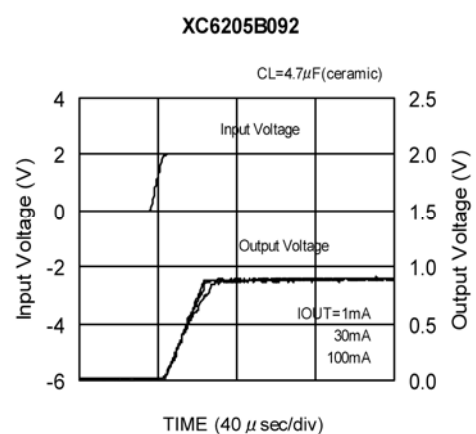
○ Input Voltage vs. Output Voltage



○ Enable Response Time



○ Turn-ON Response Time

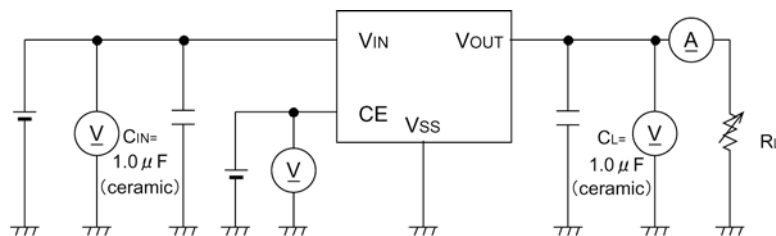


■ NOTES ON USE

1. Please use this IC within the stated absolute maximum ratings. The IC is liable to malfunction should the ratings be exceeded.
2. Where wiring impedance is high, operations may become unstable due to noise and/or phase lag depending on output current.
Please strengthen V_{IN} and V_{SS} wiring in particular.
3. Please wire the input capacitor (C_{IN}) and the output capacitor (C_L) as close to the IC as possible.

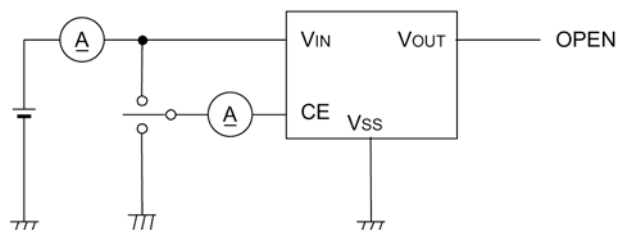
■ TEST CIRCUITS

Circuit 1



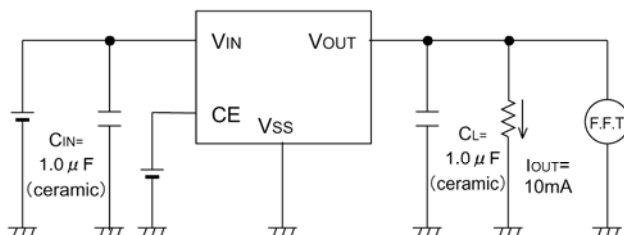
Circuit 2

1 : S



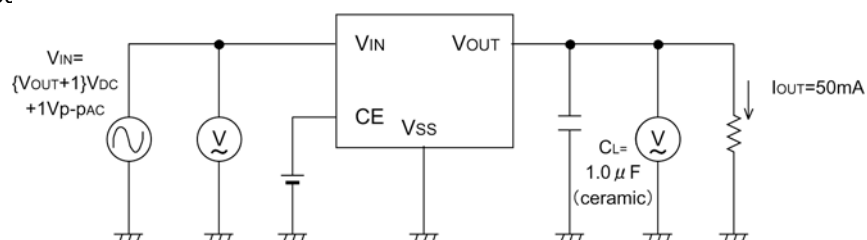
Circuit 3

1 : S



Circuit 4

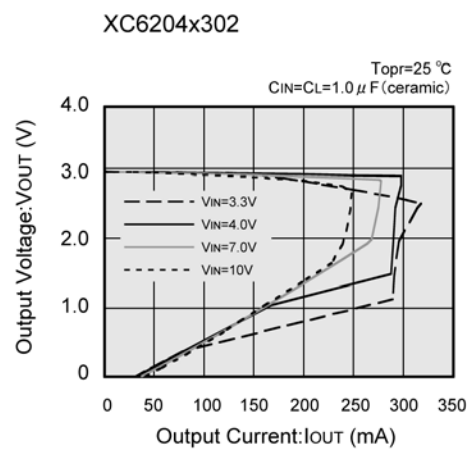
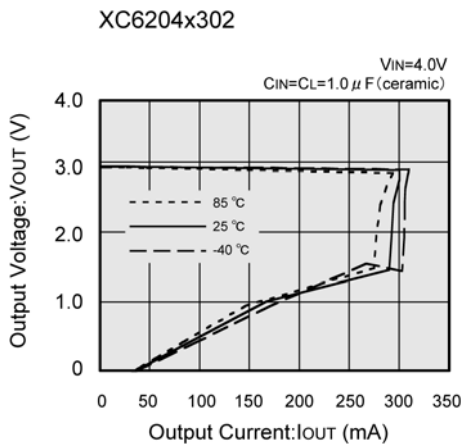
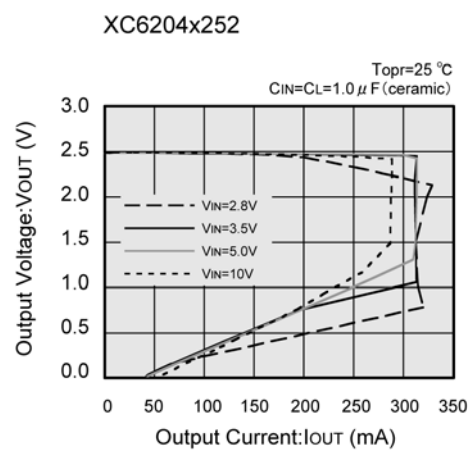
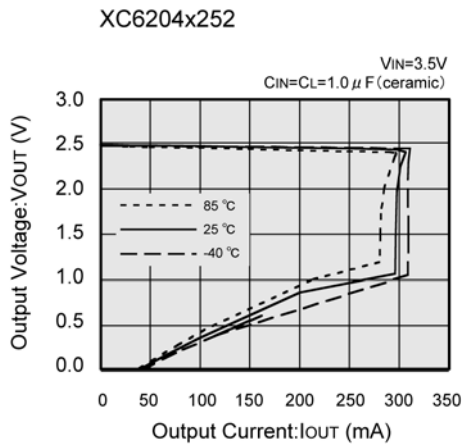
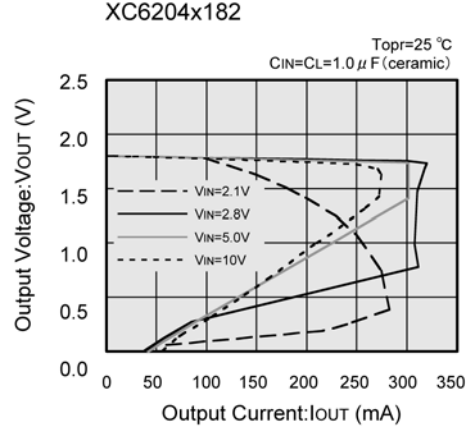
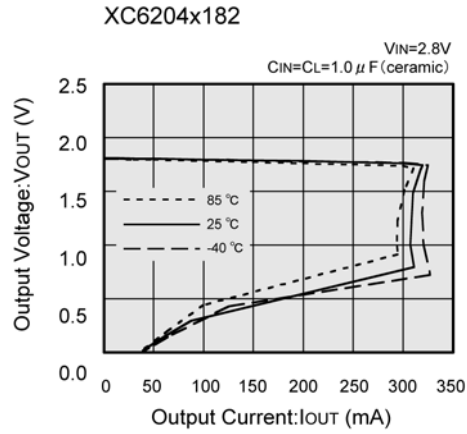
1 : Su



TYPICAL PERFORMANCE CHARACTERISTICS

●XC6204

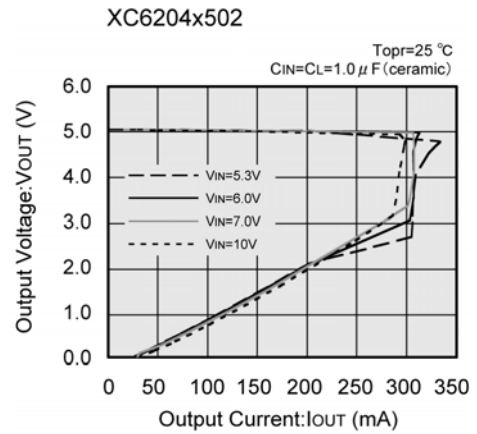
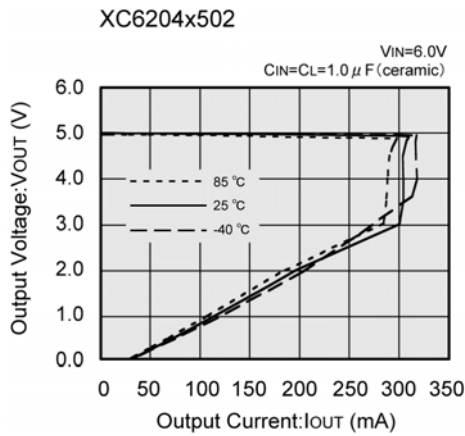
(1) Output Voltage vs. Output Current



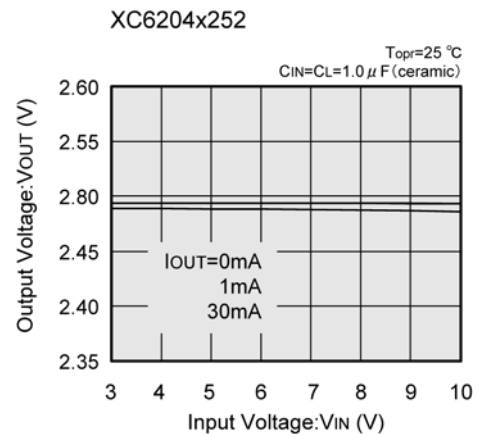
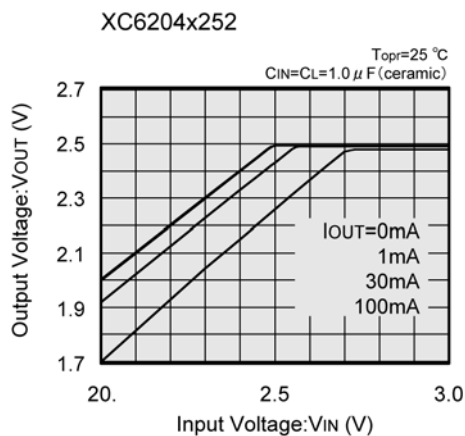
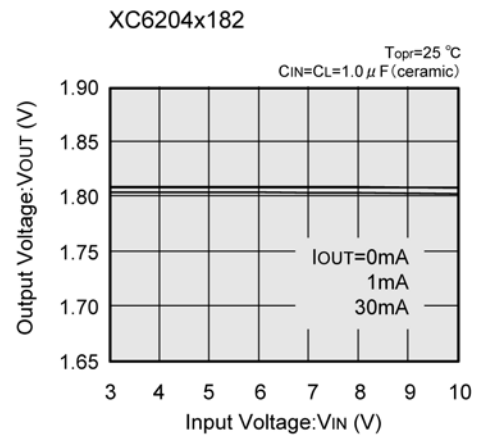
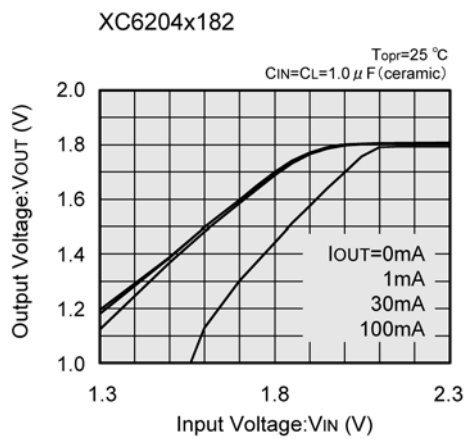
TYPICAL PERFORMANCE CHARACTERISTICS (Continued)

●XC6204 (Continued)

(1) Output Voltage vs. Output Current (Continued)



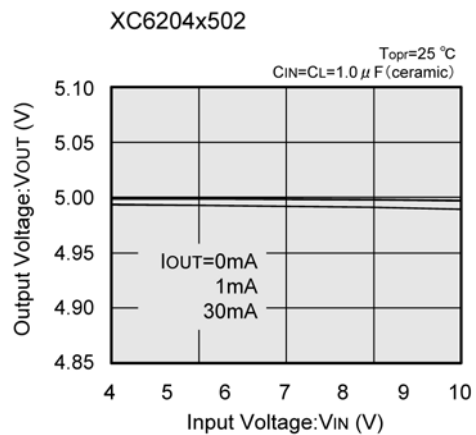
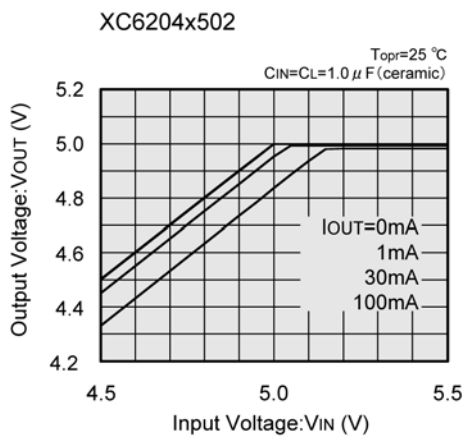
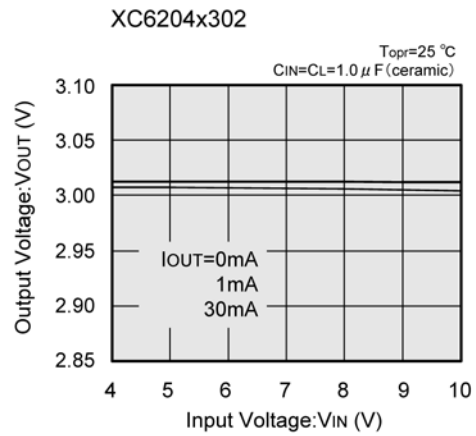
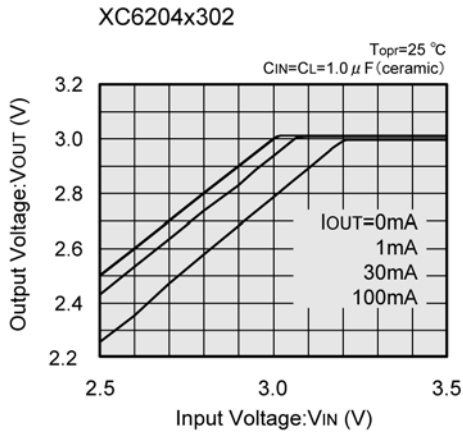
(2) Output Voltage vs. Input Voltage



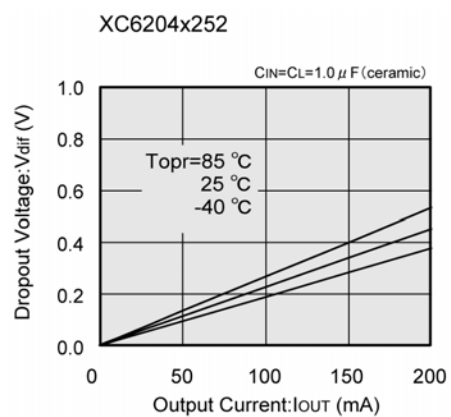
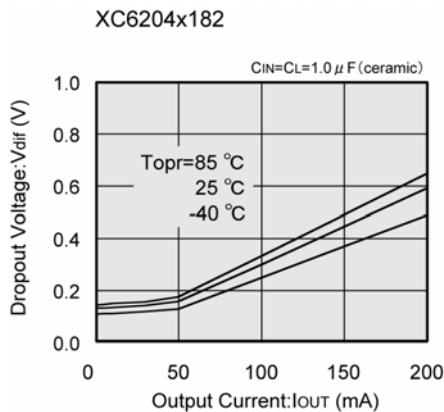
TYPICAL PERFORMANCE CHARACTERISTICS (Continued)

●XC6204 (Continued)

(2) Output Voltage vs. Input Voltage (Continued)



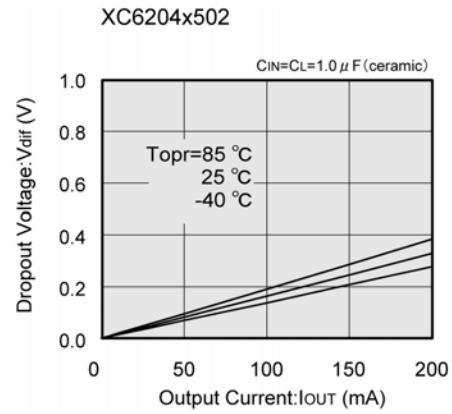
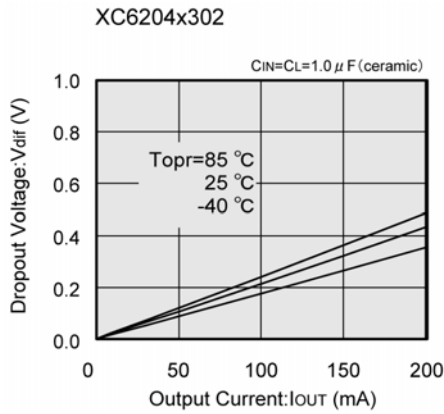
(3) Dropout Voltage vs. Output Current



■ TYPICAL PERFORMANCE CHARACTERISTICS (Continued)

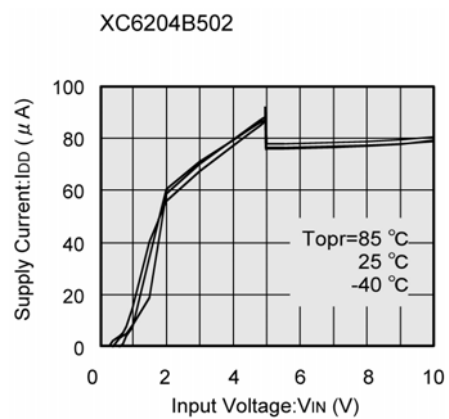
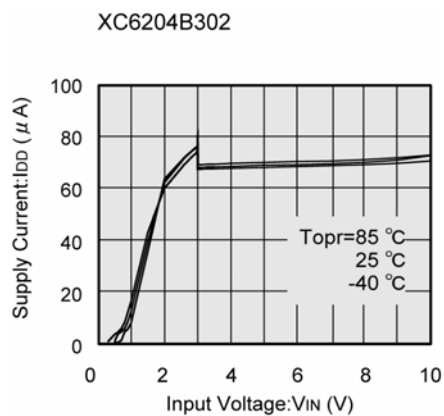
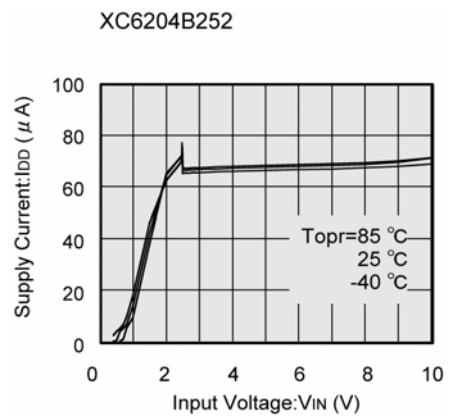
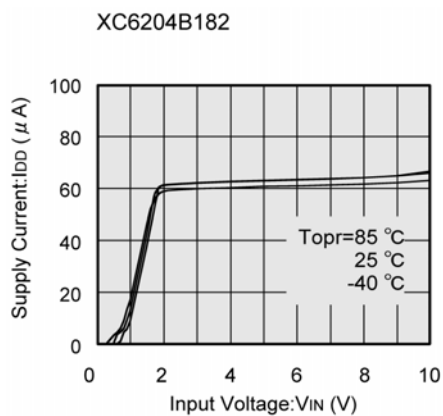
● XC6204 (Continued)

(3) Dropout Voltage vs. Output Current (Continued)



* Since the operation of this IC is only guaranteed from $V_{IN}=2.0\text{V}$ and above, it is essential that when using with applications where $V_{OUT}=2.0\text{V}$ or less, the difference between V_{IN} and V_{OUT} be at least equal to $2\text{V} - V_{OUT(T)}$.

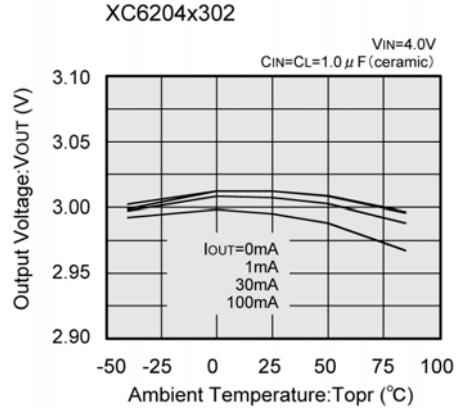
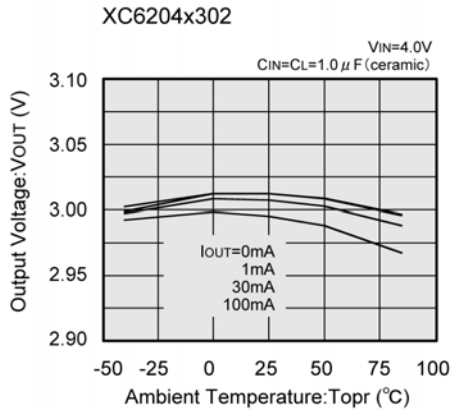
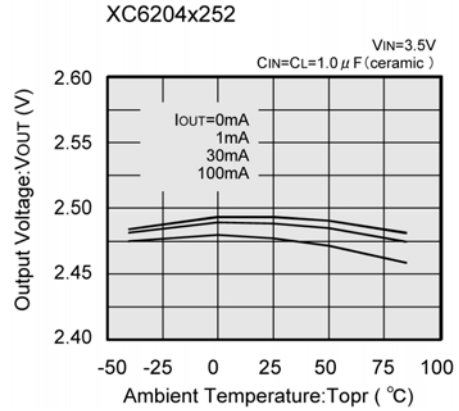
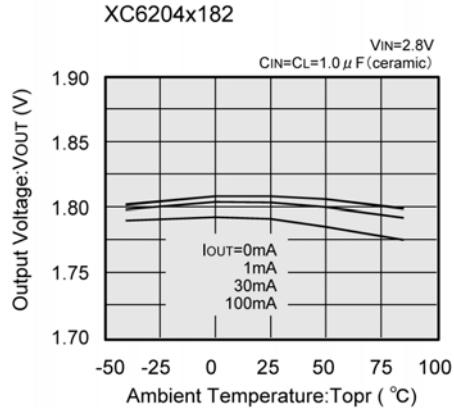
(4) Supply Current vs. Input Voltage



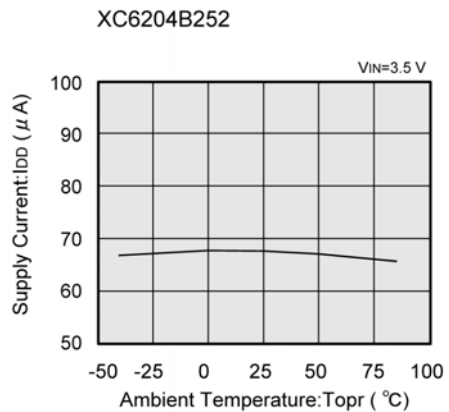
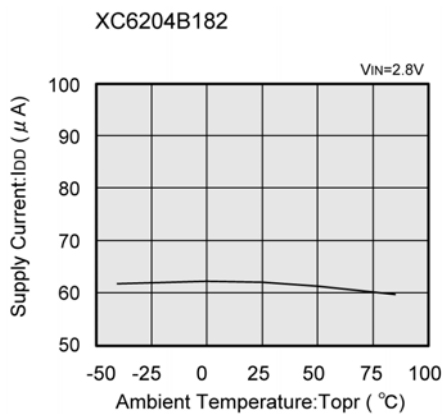
TYPICAL PERFORMANCE CHARACTERISTICS (Continued)

●XC6204 (Continued)

(5) Output Voltage vs. Ambient Temperature



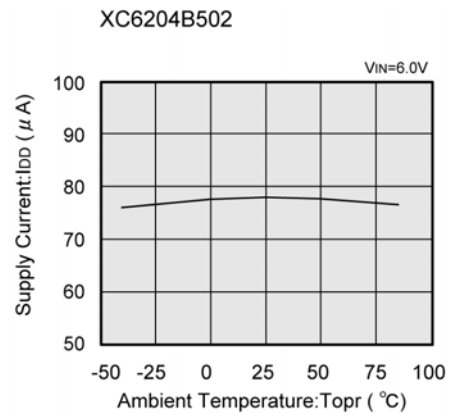
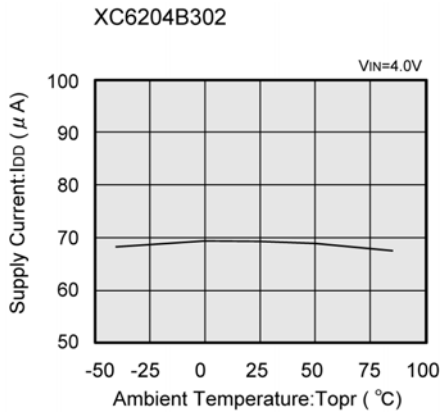
(6) Supply Current vs. Ambient Temperature



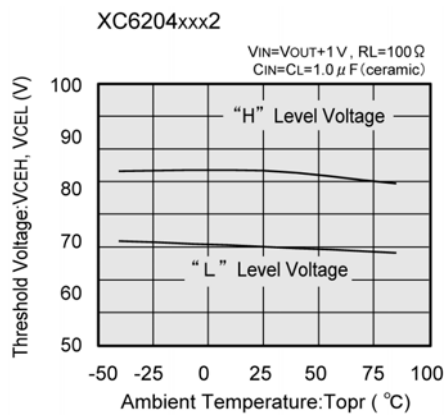
TYPICAL PERFORMANCE CHARACTERISTICS (Continued)

●XC6204 (Continued)

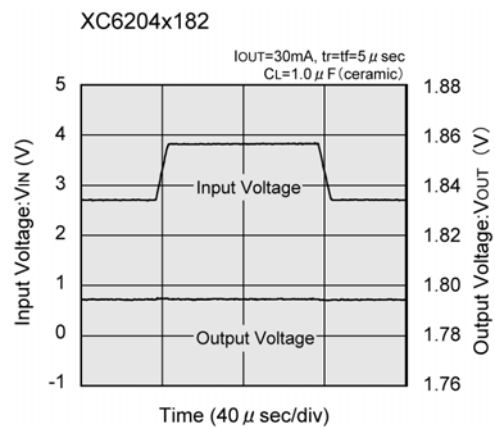
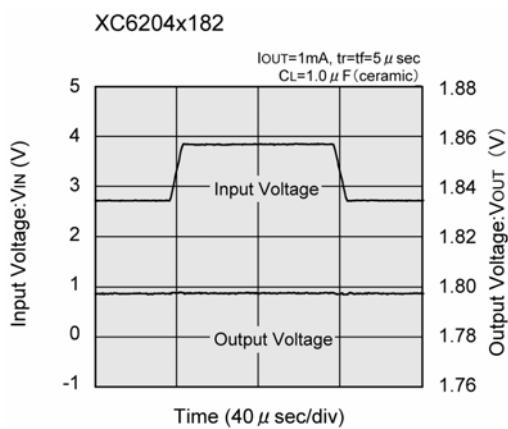
(6) Supply Current vs. Ambient Temperature (Continued)



(7) CE Pin Threshold Voltage vs. Ambient Temperature



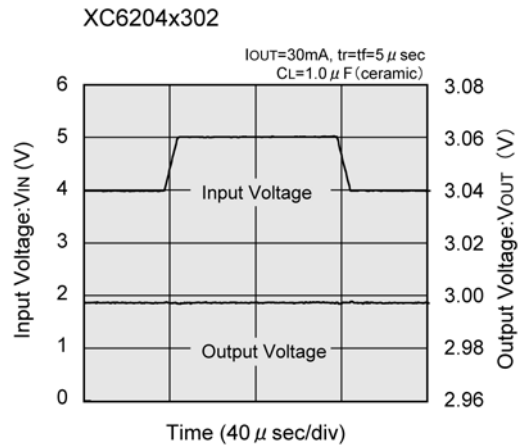
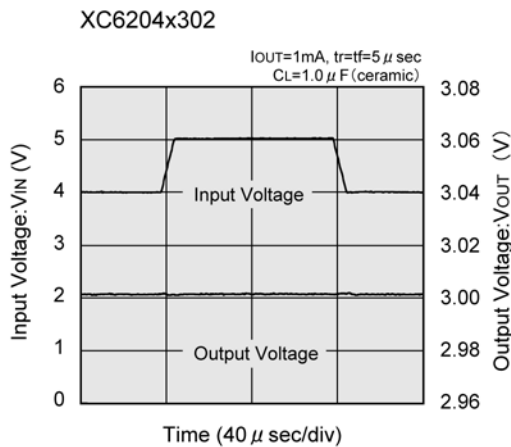
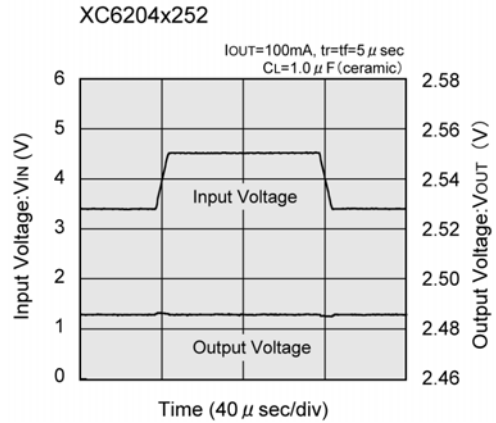
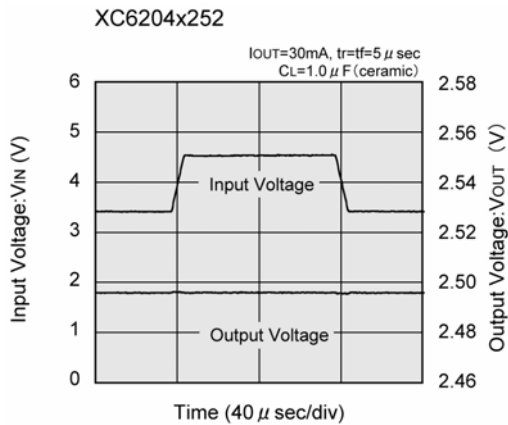
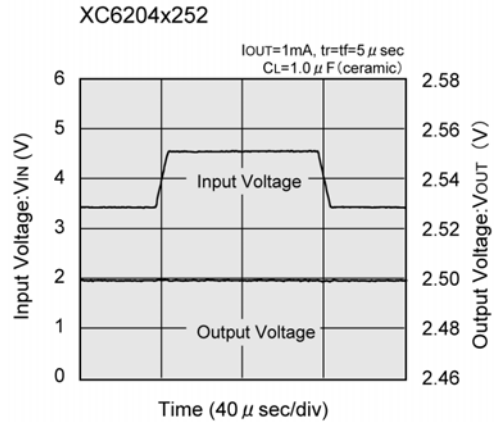
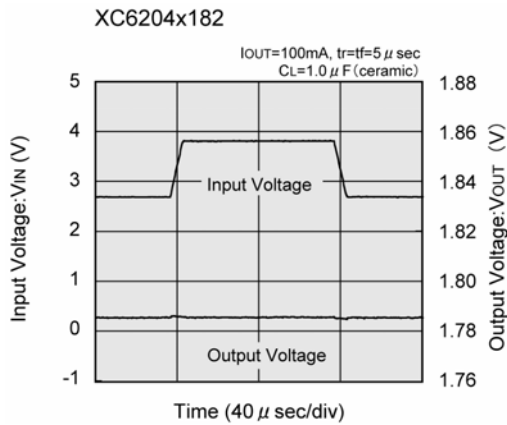
(8) Input Transient Response



TYPICAL PERFORMANCE CHARACTERISTICS (Continued)

●XC6204 (Continued)

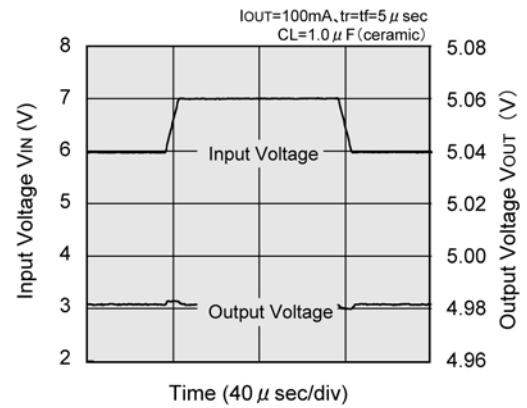
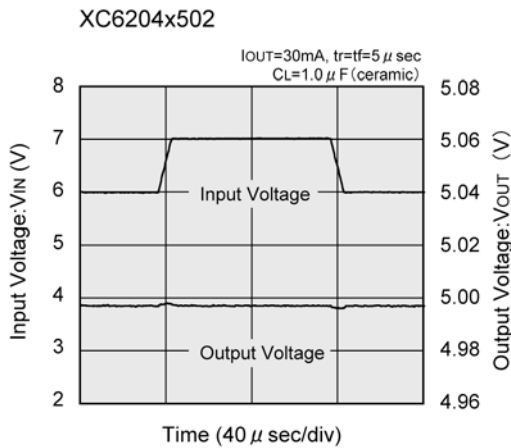
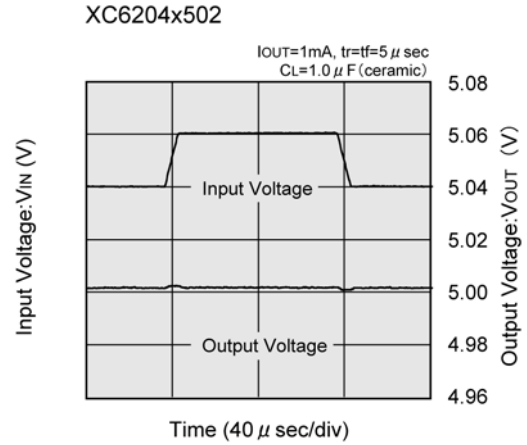
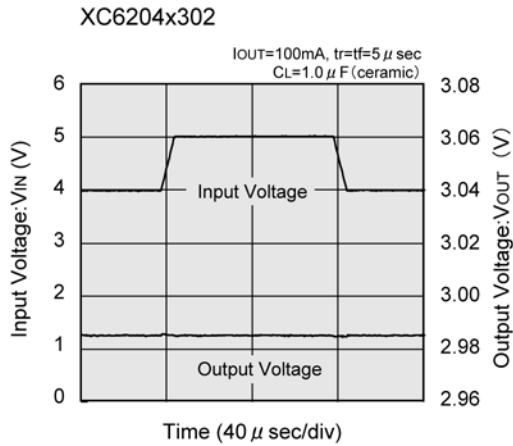
(8) Input Transient Response (Continued)



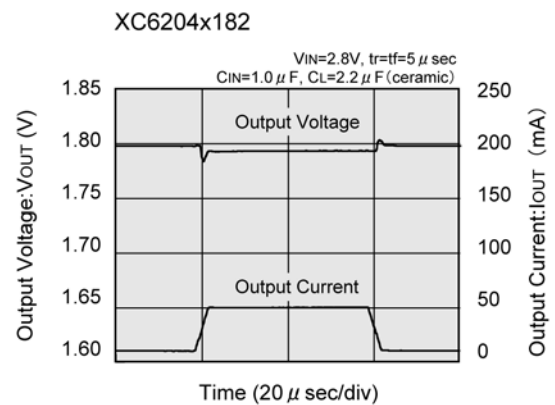
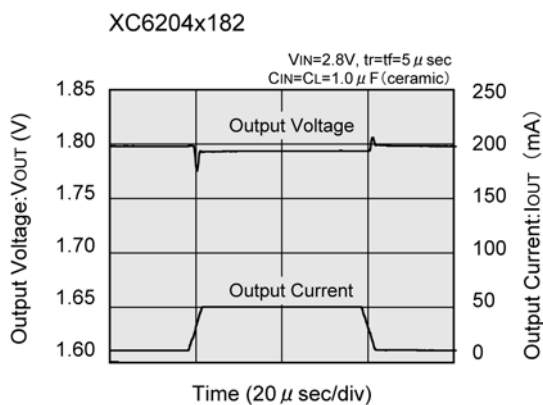
TYPICAL PERFORMANCE CHARACTERISTICS (Continued)

●XC6204 (Continued)

(8) Input Transient Response (Continued)



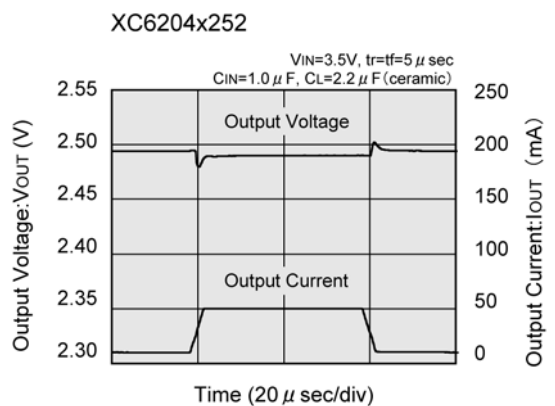
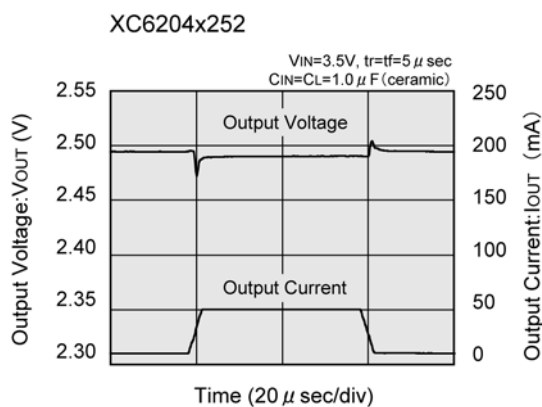
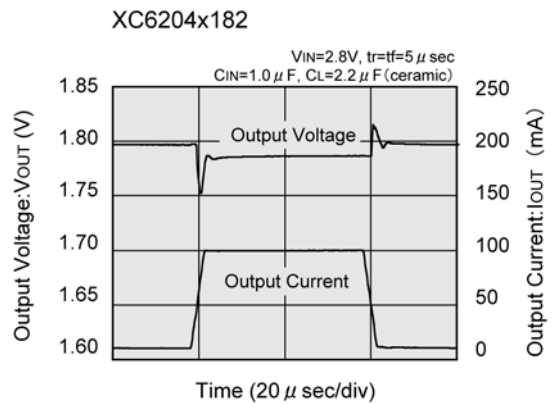
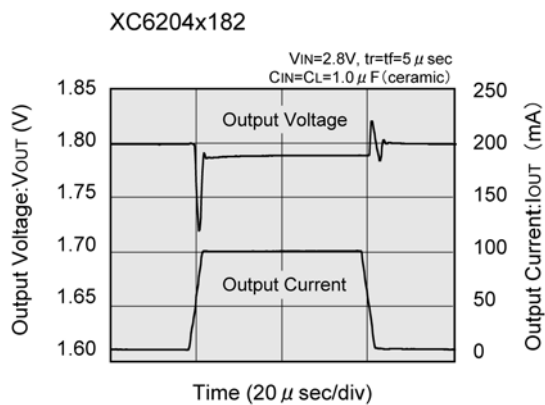
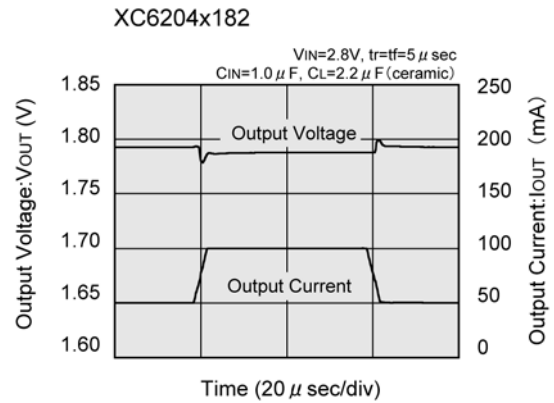
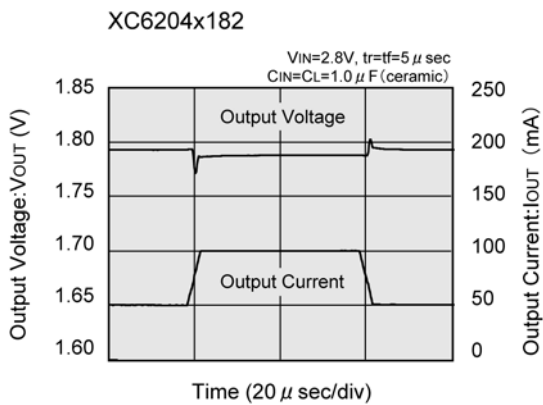
(9) Load Transient Response



TYPICAL PERFORMANCE CHARACTERISTICS (Continued)

●XC6204 (Continued)

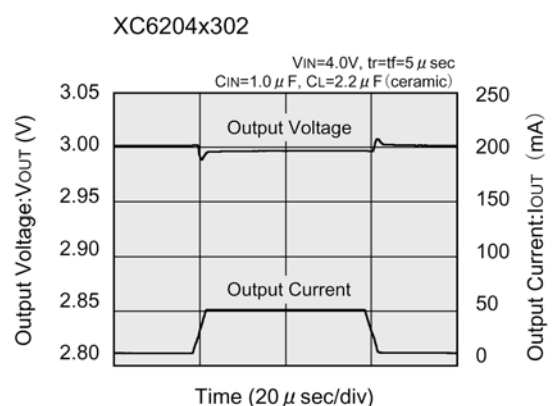
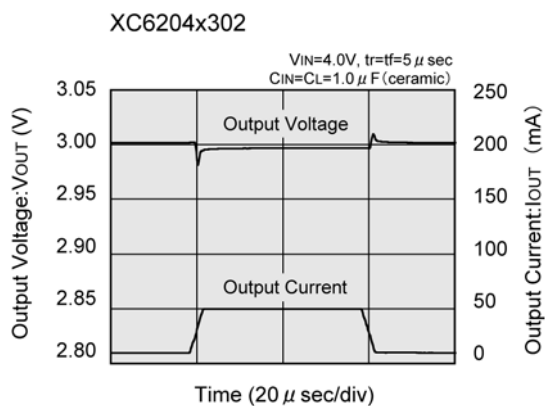
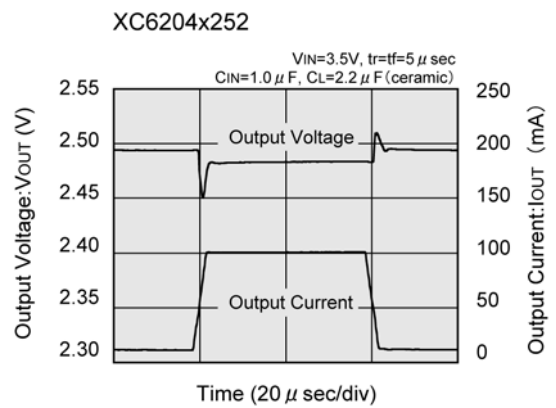
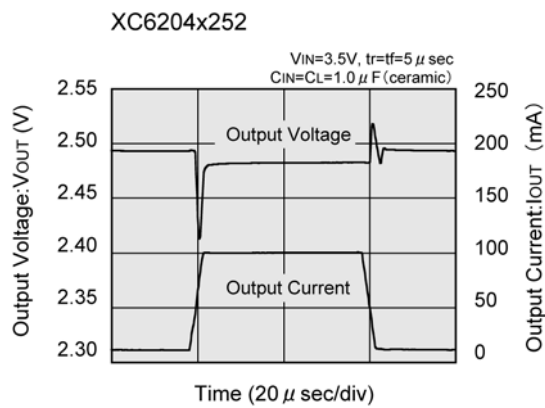
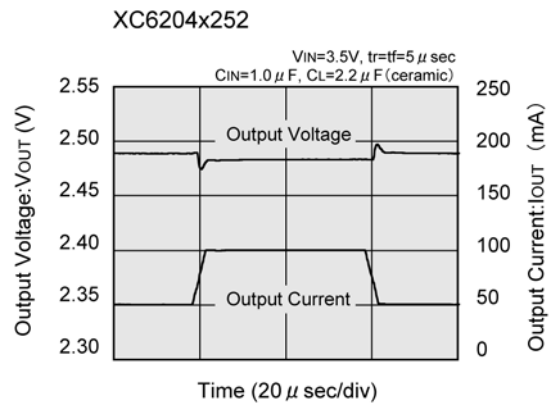
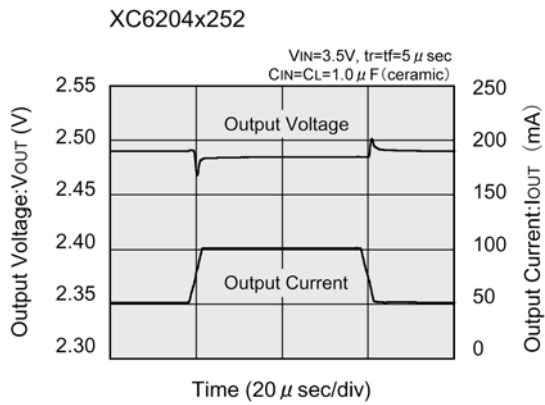
(9) Load Transient Response (Continued)



TYPICAL PERFORMANCE CHARACTERISTICS (Continued)

● XC6204 (Continued)

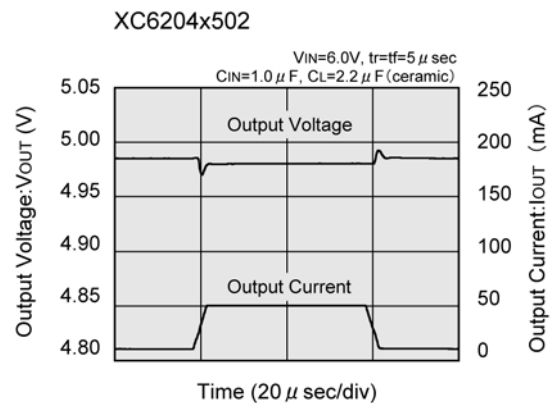
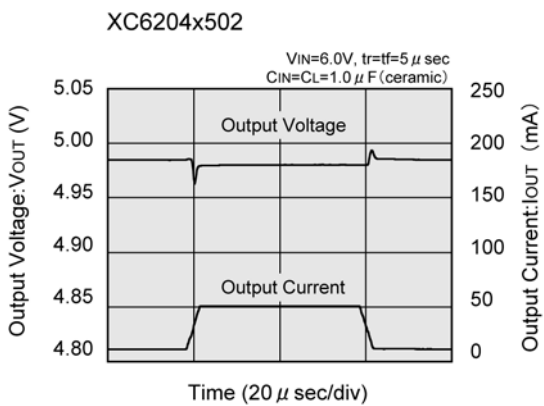
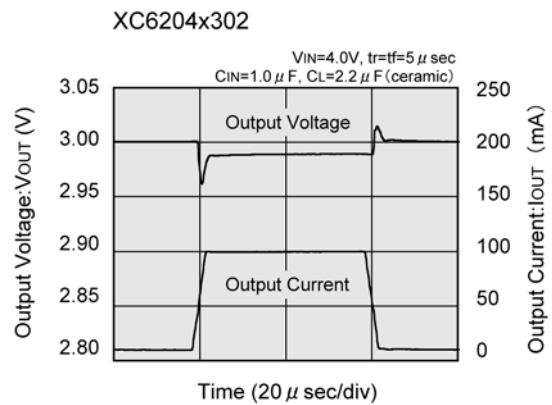
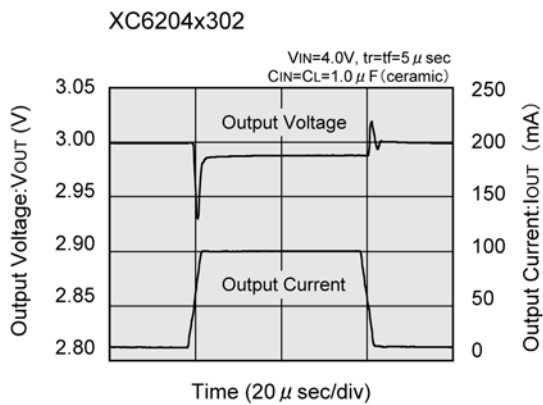
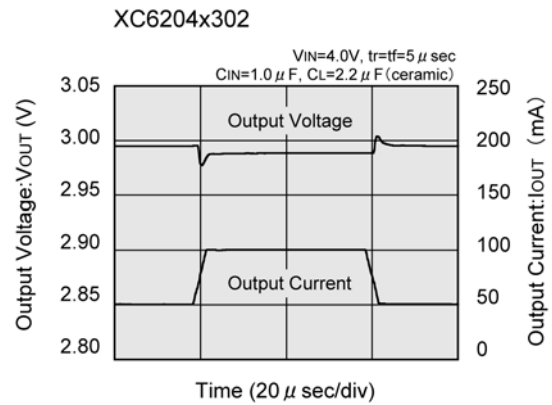
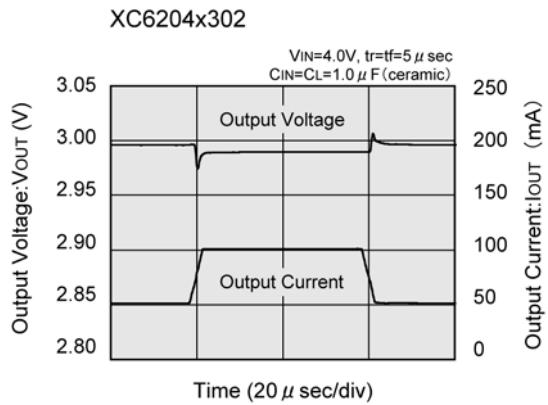
(9) Load Transient Response (Continued)



TYPICAL PERFORMANCE CHARACTERISTICS (Continued)

●XC6204 (Continued)

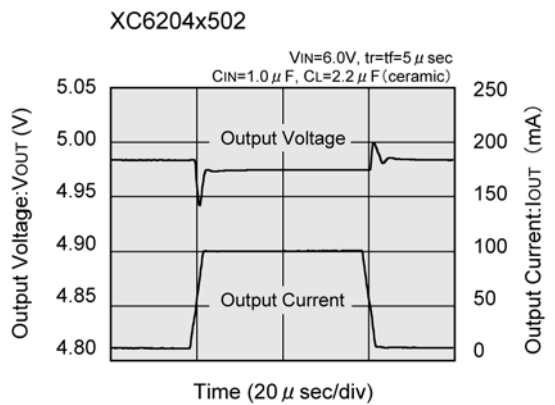
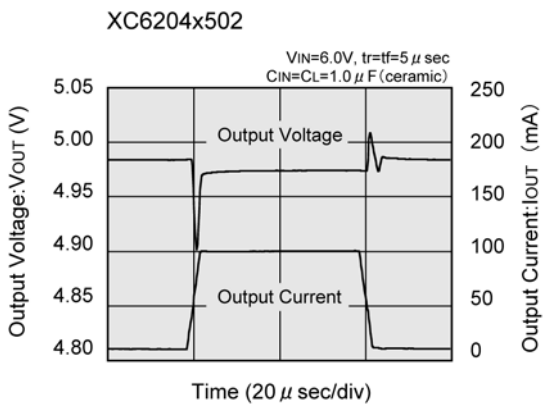
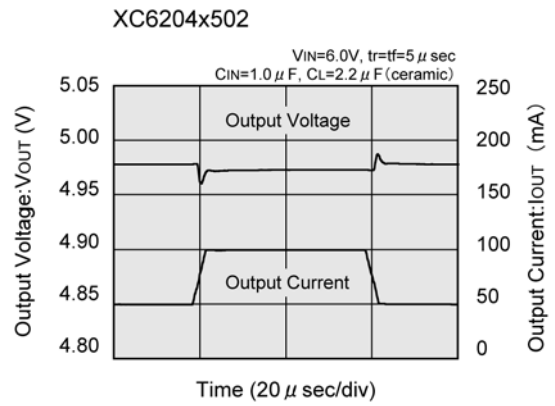
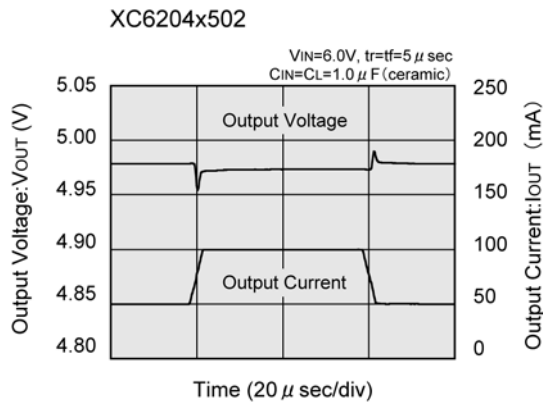
(9) Load Transient Response (Continued)



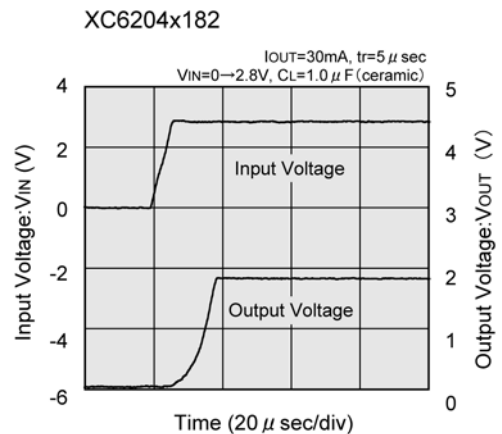
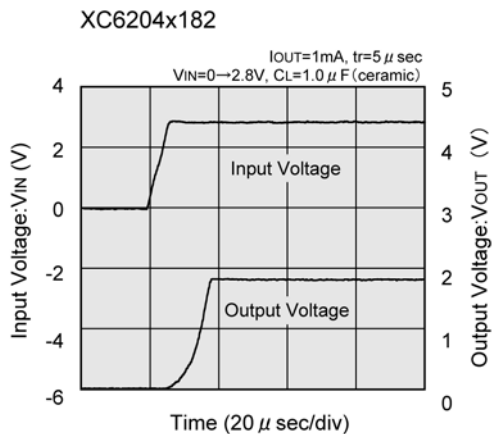
■ TYPICAL PERFORMANCE CHARACTERISTICS (Continued)

● XC6204 (Continued)

(9) Load Transient Response (Continued)



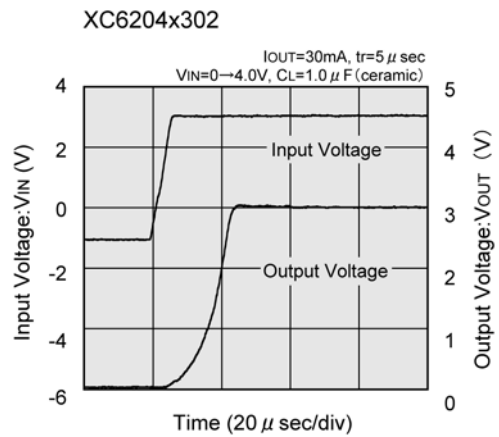
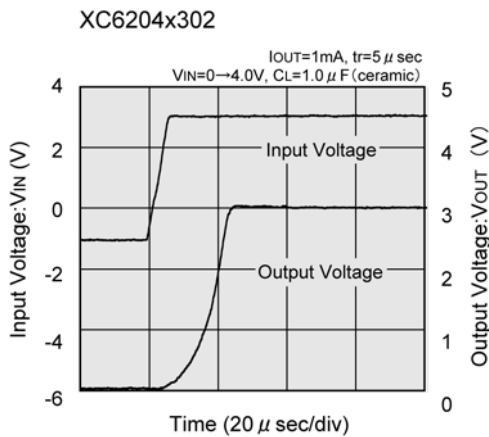
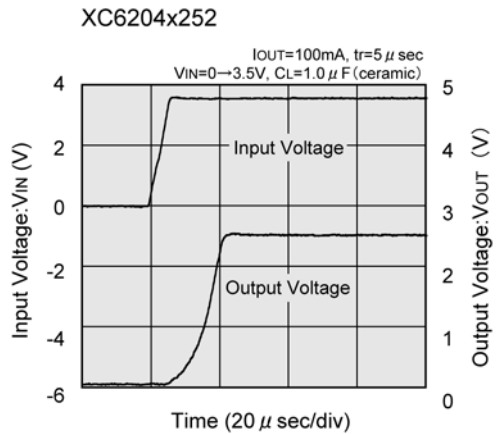
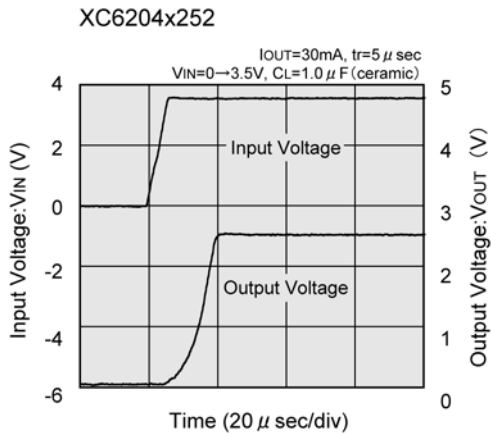
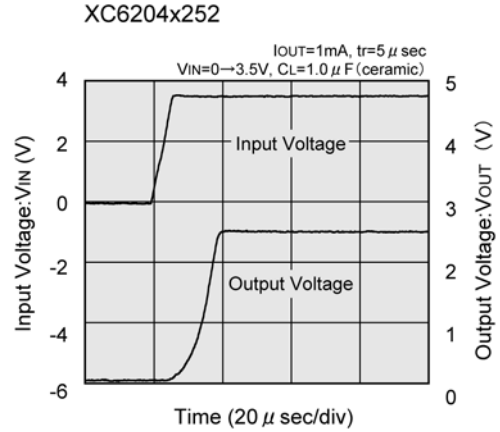
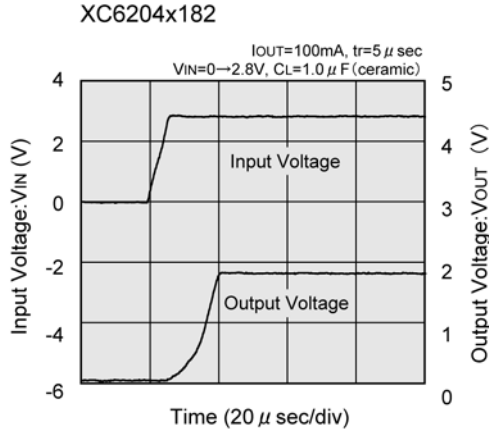
(10) Turn-On Response Time



■ TYPICAL PERFORMANCE CHARACTERISTICS (Continued)

● XC6204 (Continued)

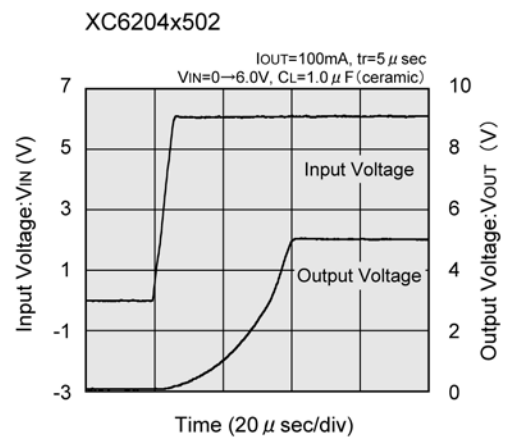
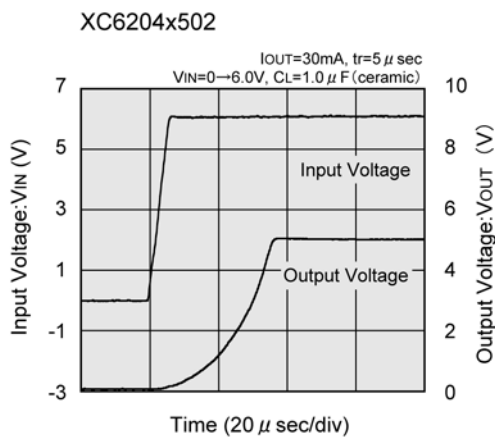
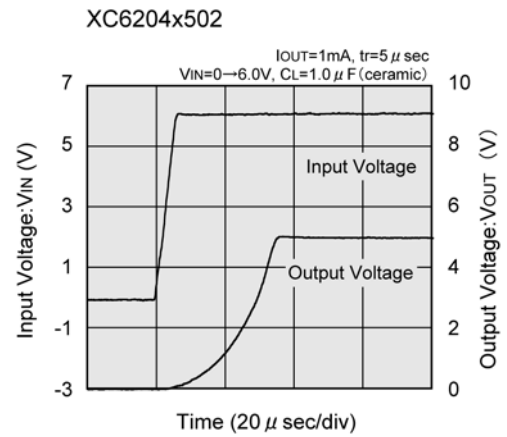
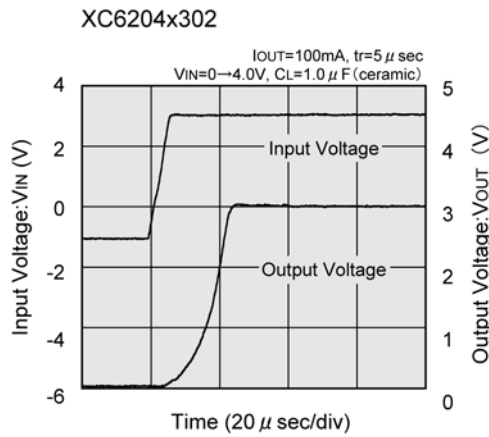
(10) Turn-On Response Time



■ TYPICAL PERFORMANCE CHARACTERISTICS (Continued)

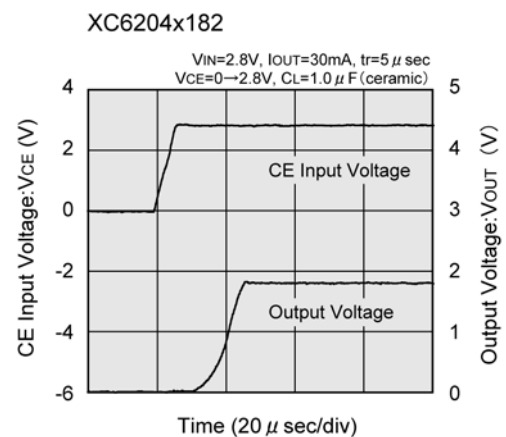
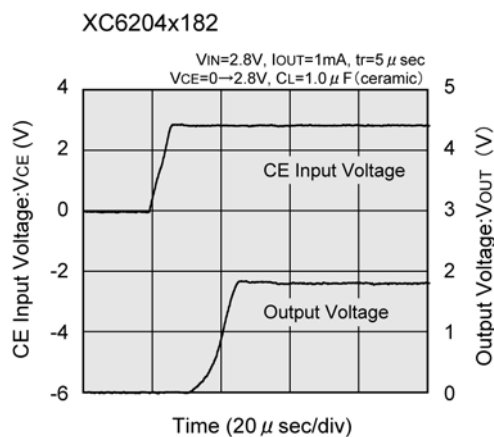
● XC6204 (Continued)

(10) Turn-On Response Time (Continued)



(11) Enable Response Time

(These characteristics will not be affected by the nature of the CE pin's logic)

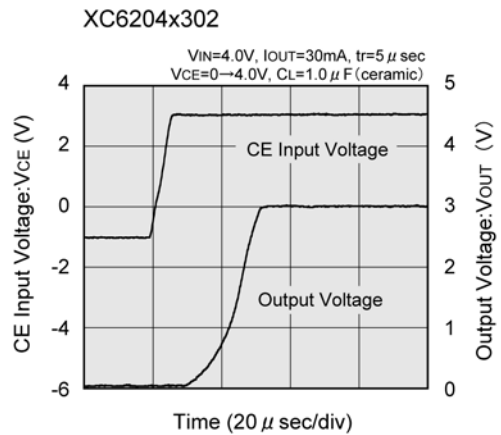
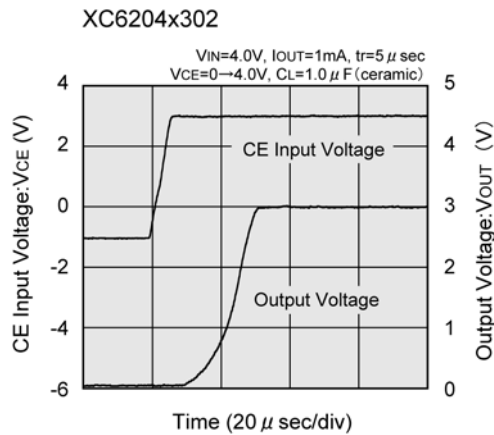
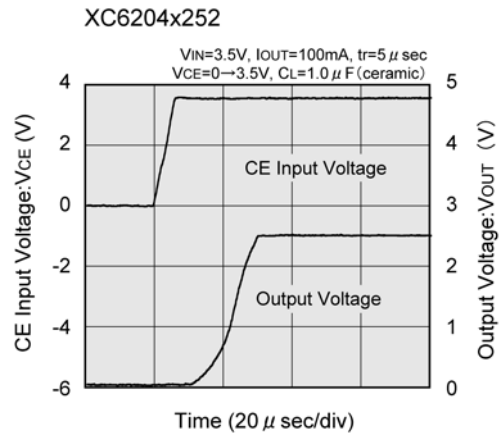
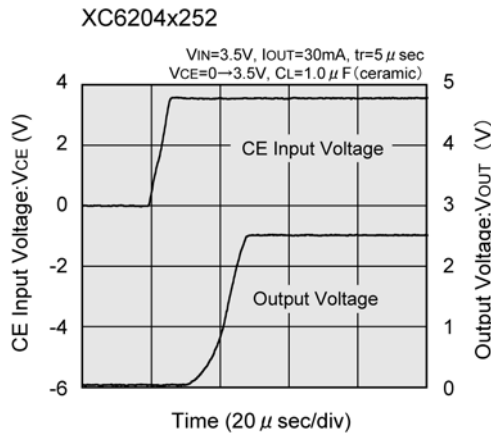
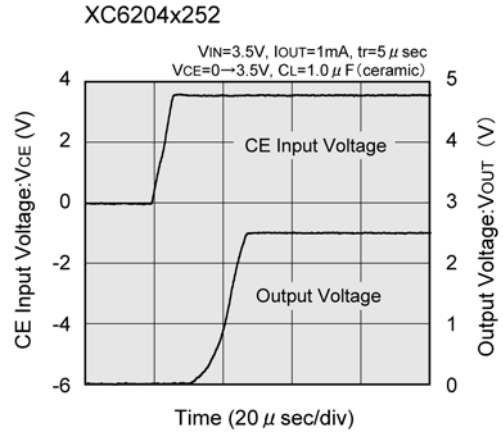
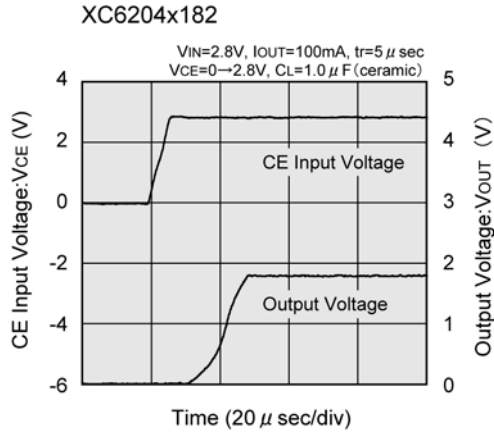


■ TYPICAL PERFORMANCE CHARACTERISTICS (Continued)

● XC6204 (Continued)

(11) Enable Response Time (Continued)

(These characteristics will not be affected by the nature of the CE pin's logic)

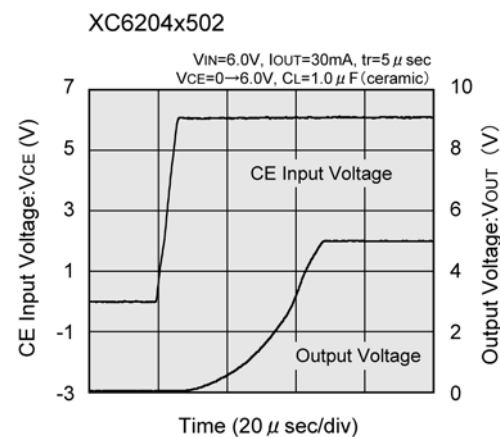
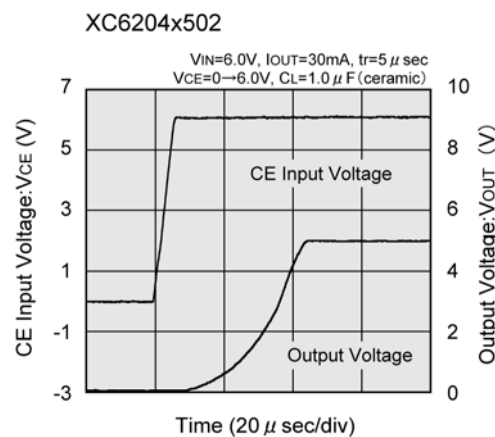
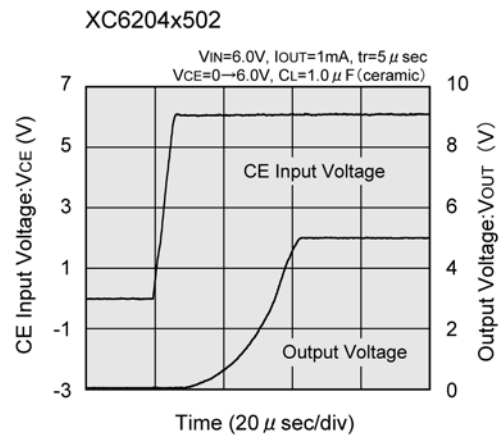
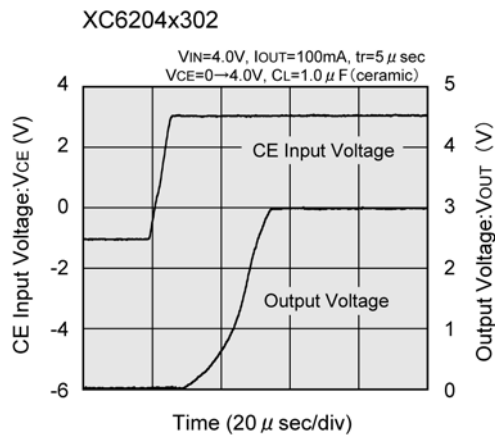


TYPICAL PERFORMANCE CHARACTERISTICS (Continued)

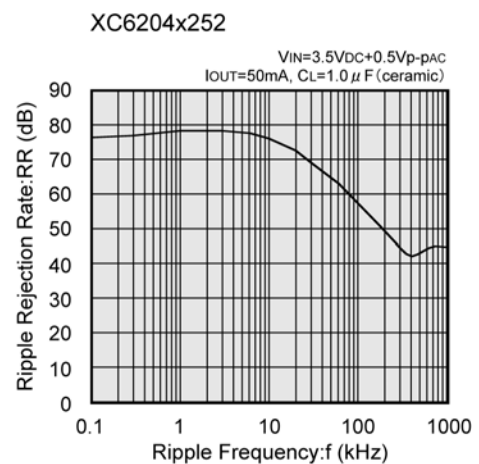
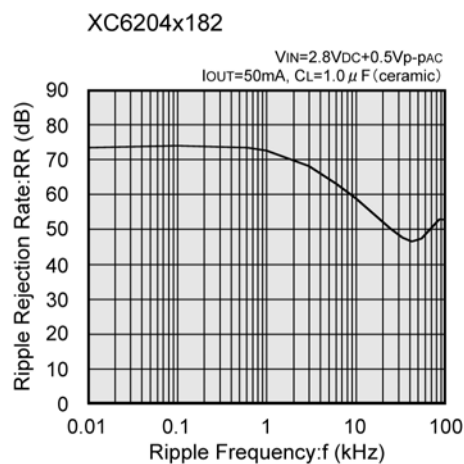
●XC6204 (Continued)

(11) Enable Response Time (Continued)

(These characteristics will not be affected by the nature of the CE pin's logic)



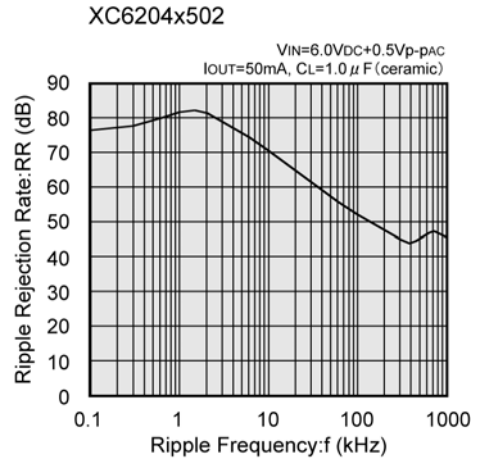
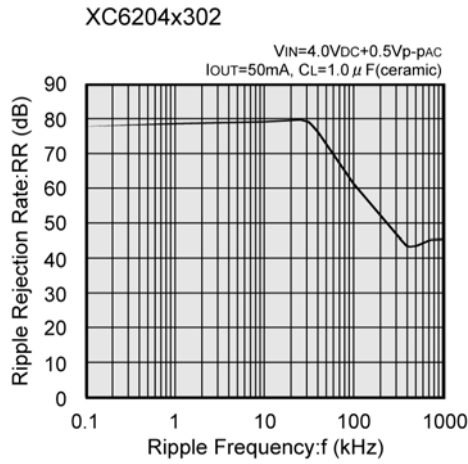
(12) Ripple Rejection Rate



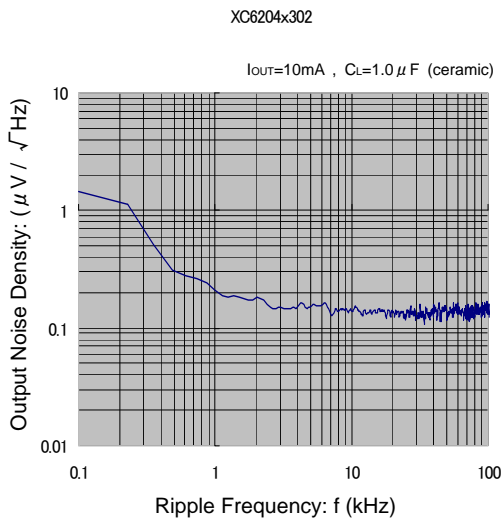
TYPICAL PERFORMANCE CHARACTERISTICS (Continued)

●XC6204 (Continued)

(12) Ripple Rejection Rate (Continued)



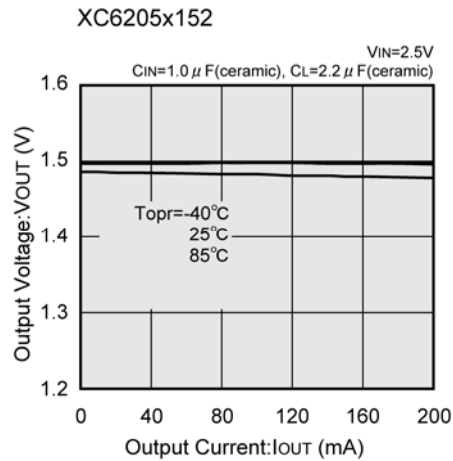
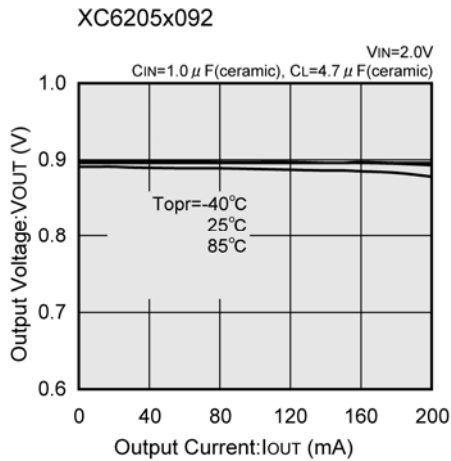
(13) Output Noise Density



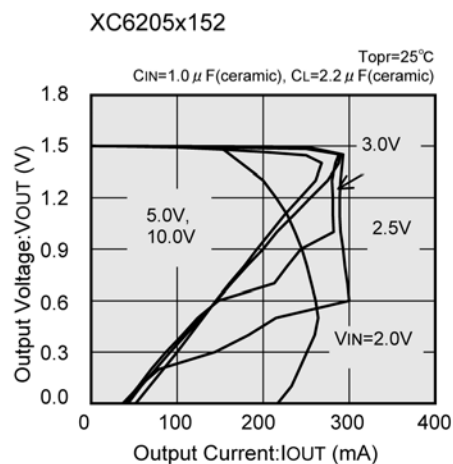
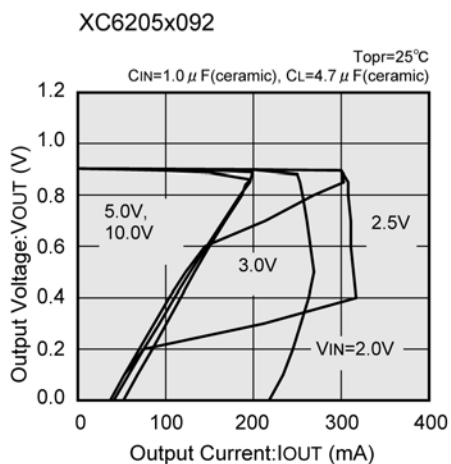
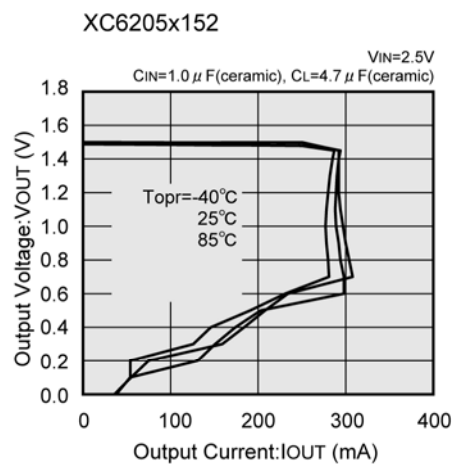
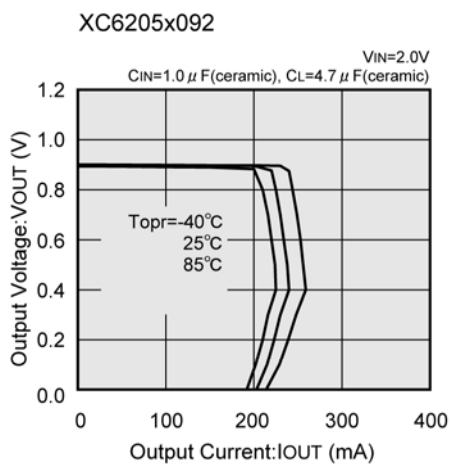
TYPICAL PERFORMANCE CHARACTERISTICS (Continued)

● XC6205

(1) Output Voltage vs. Output Current



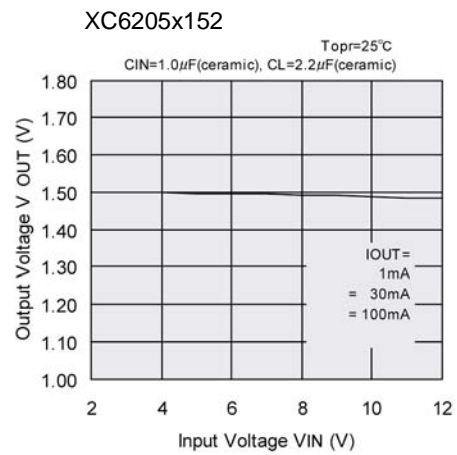
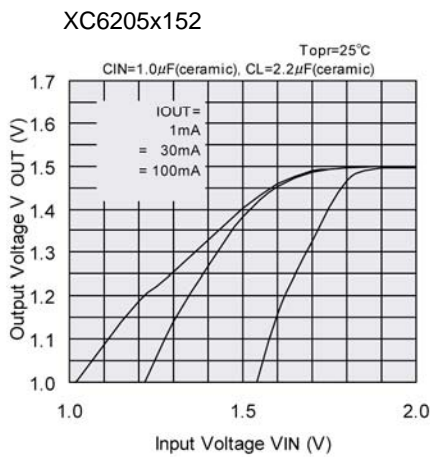
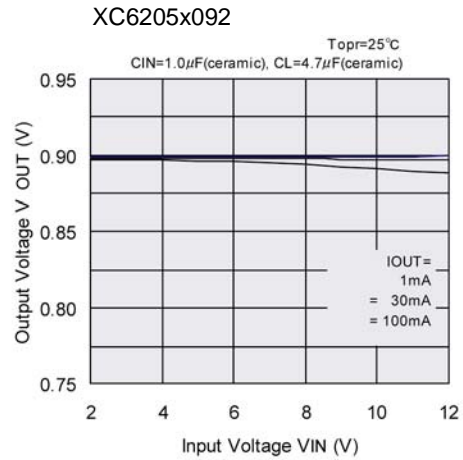
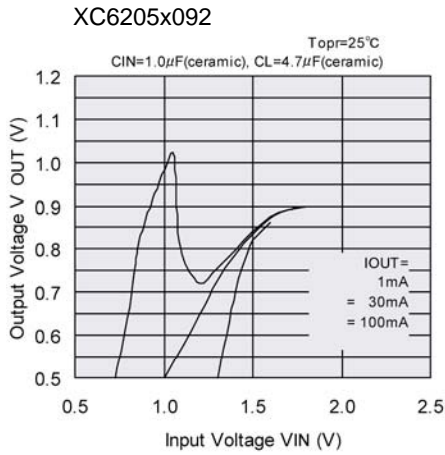
(2) Output Voltage vs. Output Current (Current Limit)



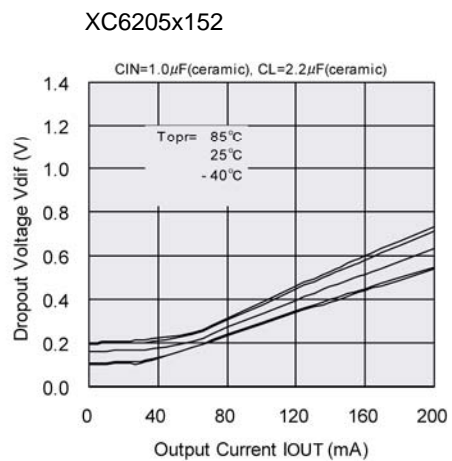
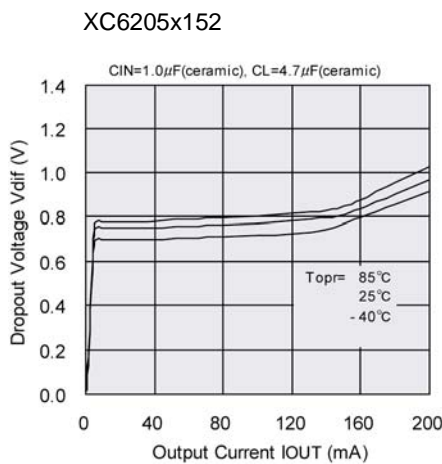
TYPICAL PERFORMANCE CHARACTERISTICS (Continued)

●XC6205 (Continued)

(3) Output Voltage vs. Input Voltage



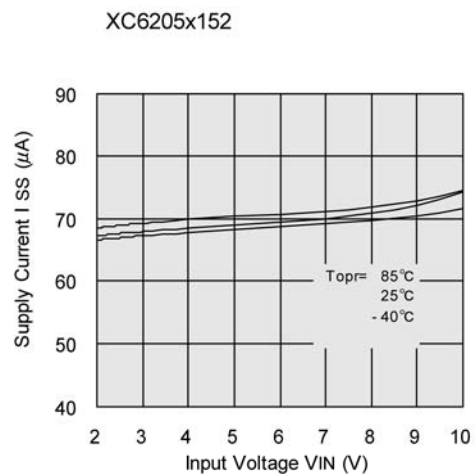
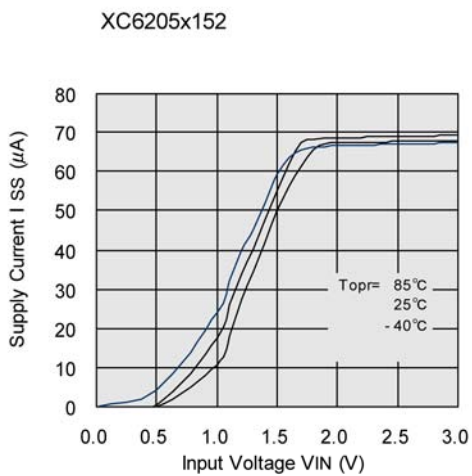
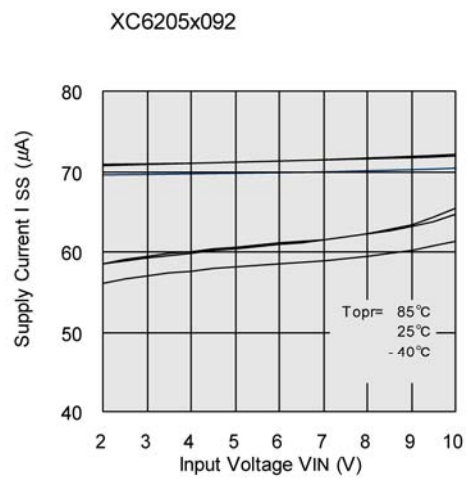
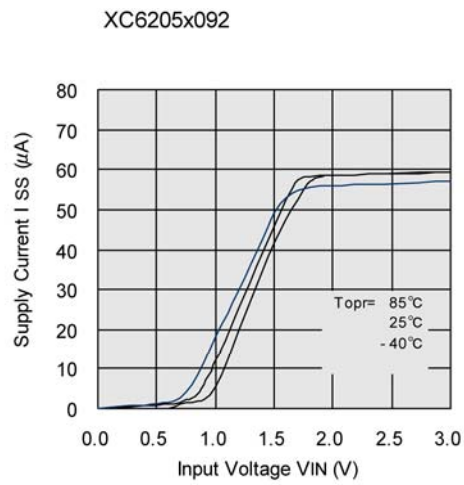
(4) Dropout Voltage VS. Output Current



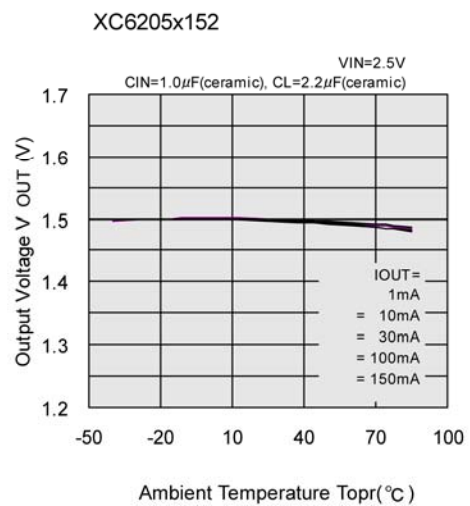
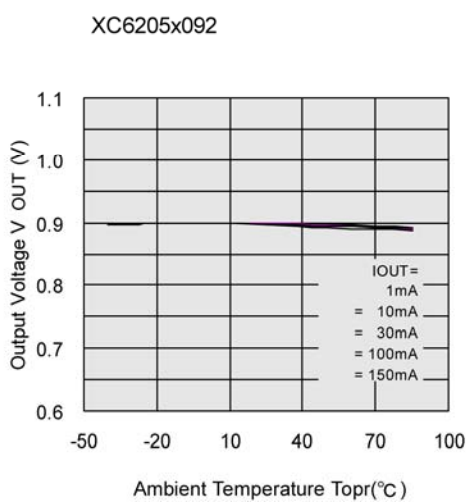
TYPICAL PERFORMANCE CHARACTERISTICS (Continued)

●XC6205 (Continued)

(5) Supply Current vs. Input Voltage



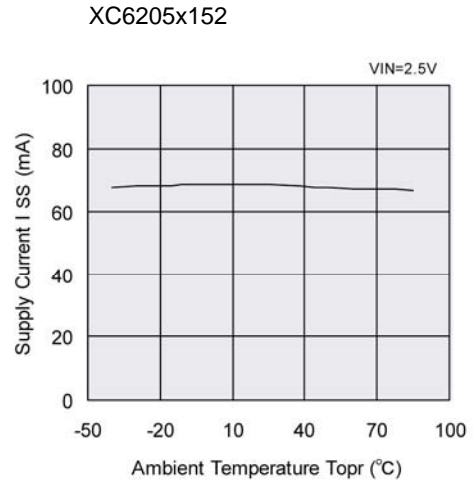
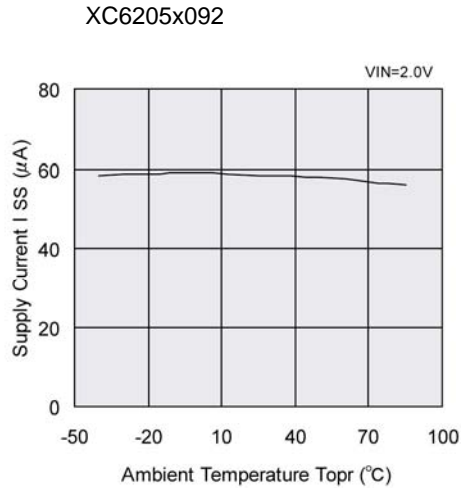
(6) Output Voltage vs. Ambient Temperature



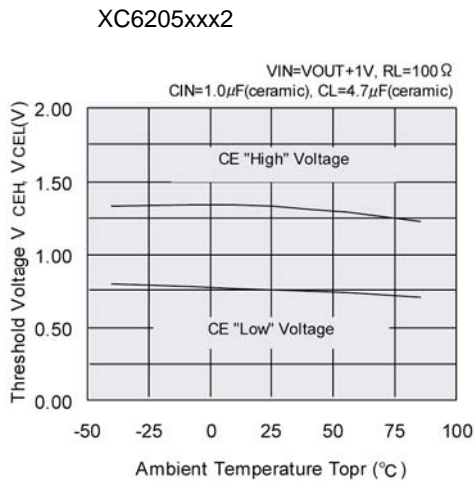
TYPICAL PERFORMANCE CHARACTERISTICS (Continued)

●XC6205 (Continued)

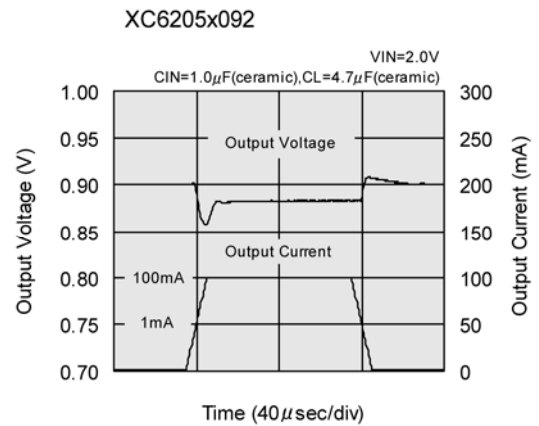
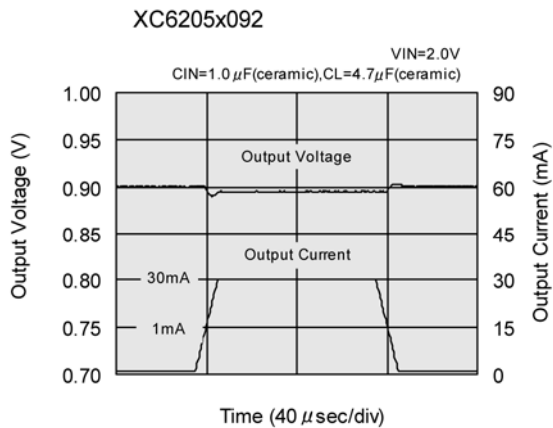
(7) Supply Current vs. Ambient Temperature



(8) CE Pin Threshold Voltage vs. Ambient Temperature



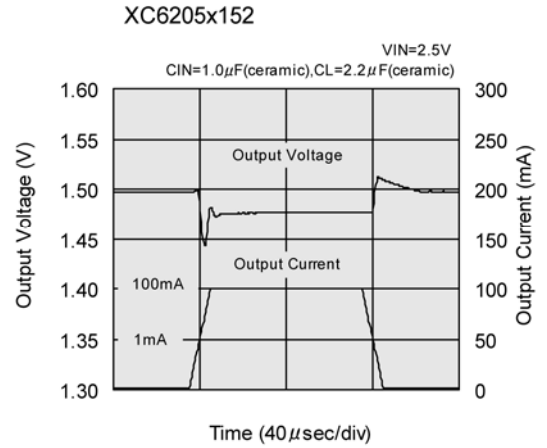
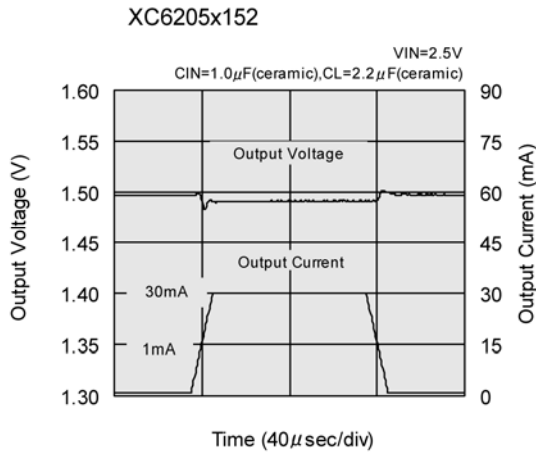
(9) Load Transient Response



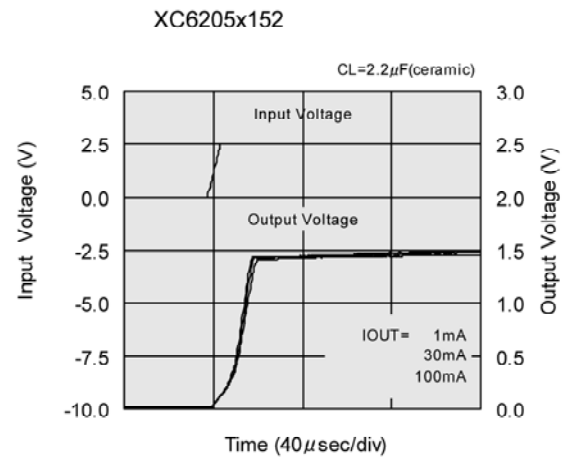
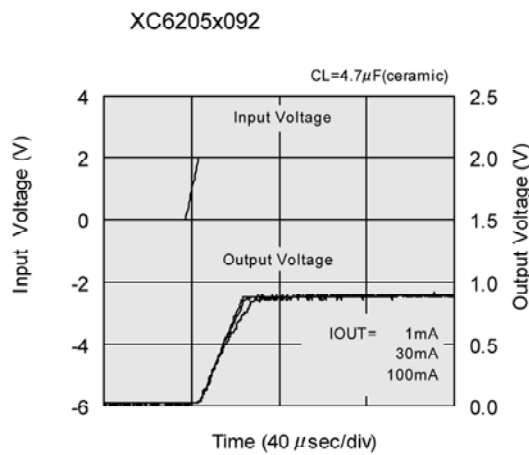
TYPICAL PERFORMANCE CHARACTERISTICS (Continued)

●XC6205 (Continued)

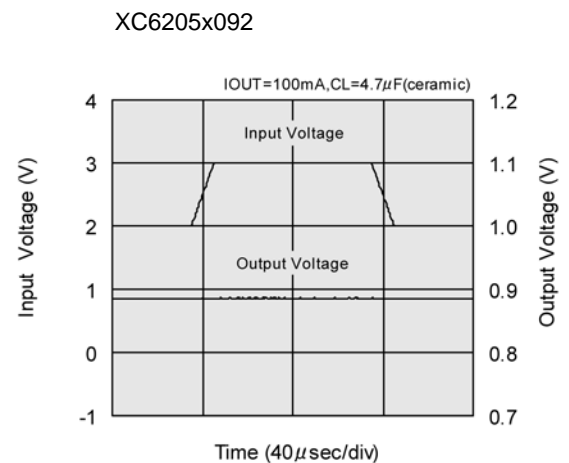
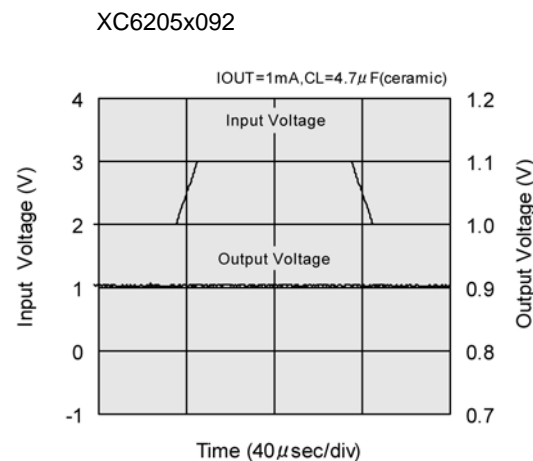
(9) Load Transient Response (Continued)



(10) Input Transient Response 1



(11) Input Transient Response 2

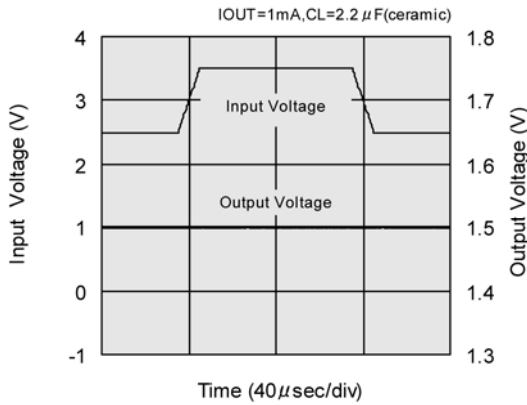


TYPICAL PERFORMANCE CHARACTERISTICS (Continued)

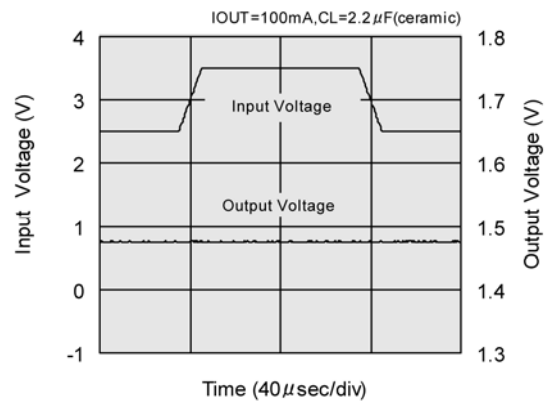
●XC6205 (Continued)

(11) Input Transient Response 2 (Continued)

XC6205x152

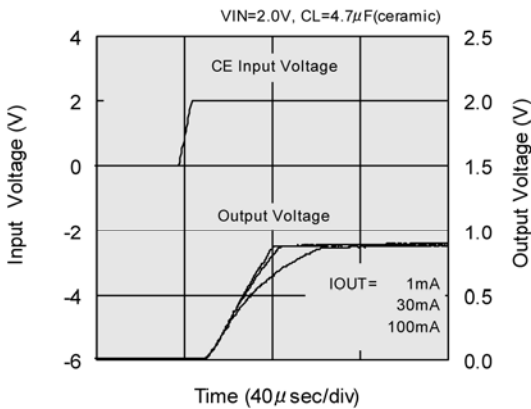


XC6205x152

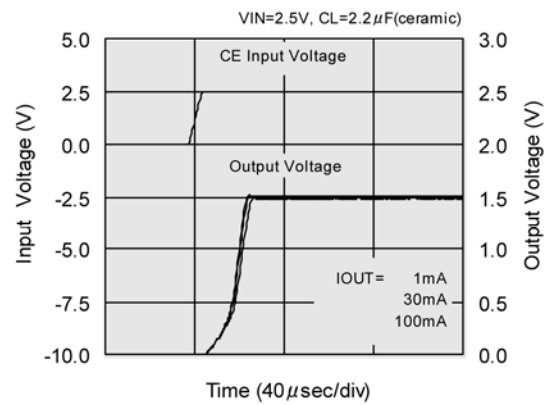


(12) Enable Response Time

XC6205B092

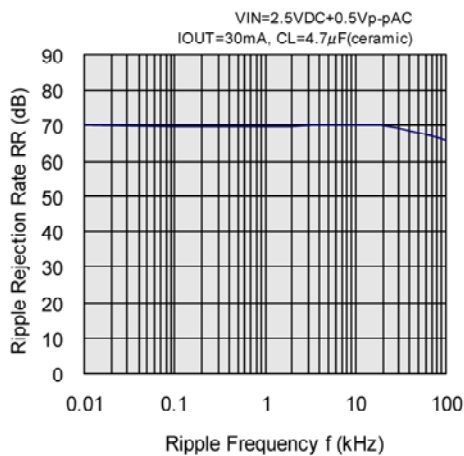


XC6205x152

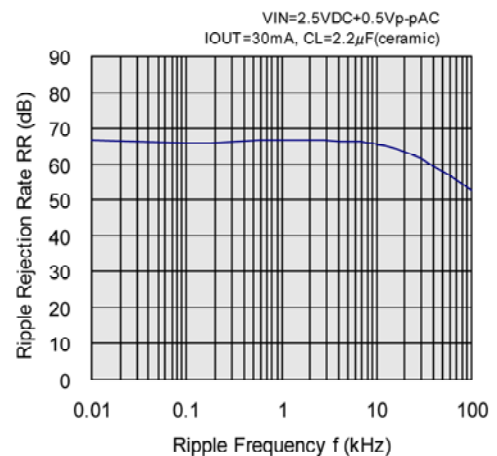


(13) Ripple Rejection Rate

XC6205x092

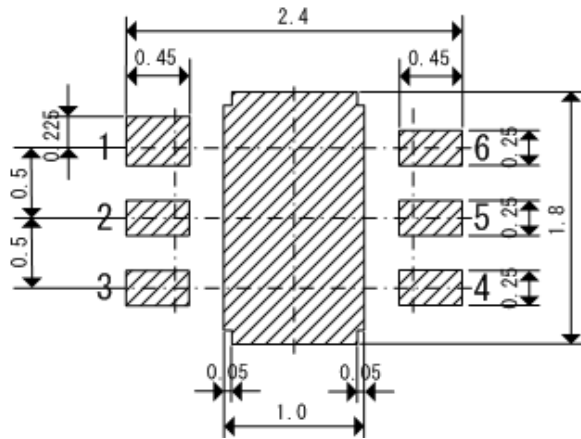


XC6205x152

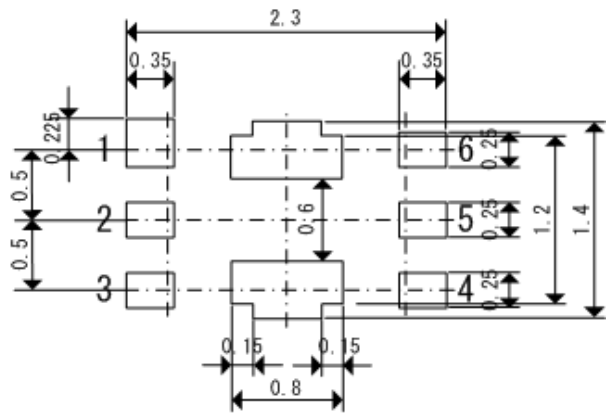


PACKAGING INFORMATION (Continued)

● USP-6B Reference Pattern Layout



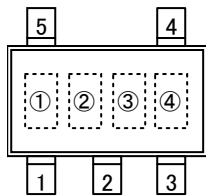
● USP-6B Reference Metal Mask Design



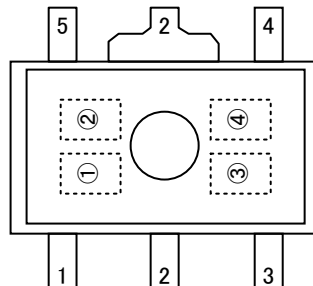
MARKING RULE

[XC6204]

● SOT-25, SOT-89-5



SOT-25
(TOP VIEW)



SOT-89-5
(TOP VIEW)

① represents product series

| MARK | PRODUCT SERIES |
|------|----------------|
| 4 | XC6204xxxxxx |

② represents type of regulator

| MARK | | | | PRODUCT SERIES |
|---------------------------------|-------------------|--------------------------------|---------------------|----------------|
| OUTPUT VOLTAGE 100mV INCREMENTS | | OUTPUT VOLTAGE 50mV INCREMENTS | | |
| VOLTAGE =0.1~3.0V | VOLTAGE =3.1~6.0V | VOLTAGE =0.15~3.05V | VOLTAGE =3.15~6.05V | |
| V | A | E | L | XC6204Axxxxx |
| X | B | F | M | XC6204Bxxxxx |
| Y | C | H | N | XC6204Cxxxxx |
| Z | D | K | P | XC6204Dxxxxx |

③ represents output voltage

| MARK | OUTPUT VOLTAGE (V) | | | MARK | OUTPUT VOLTAGE (V) | | | | |
|------|--------------------|-----|---|------|--------------------|-----|-----|------|------|
| 0 | — | 3.1 | — | 3.15 | F | 1.6 | 4.6 | 1.65 | 4.65 |
| 1 | — | 3.2 | — | 3.25 | H | 1.7 | 4.7 | 1.75 | 4.75 |
| 2 | — | 3.3 | — | 3.35 | K | 1.8 | 4.8 | 1.85 | 4.85 |
| 3 | — | 3.4 | — | 3.45 | L | 1.9 | 4.9 | 1.95 | 4.95 |
| 4 | — | 3.5 | — | 3.55 | M | 2.0 | 5.0 | 2.05 | 5.05 |
| 5 | — | 3.6 | — | 3.65 | N | 2.1 | 5.1 | 2.15 | 5.15 |
| 6 | — | 3.7 | — | 3.75 | P | 2.2 | 5.2 | 2.25 | 5.25 |
| 7 | — | 3.8 | — | 3.85 | R | 2.3 | 5.3 | 2.35 | 5.35 |
| 8 | — | 3.9 | — | 3.95 | S | 2.4 | 5.4 | 2.45 | 5.45 |
| 9 | — | 4.0 | — | 4.05 | T | 2.5 | 5.5 | 2.55 | 5.55 |
| A | — | 4.1 | — | 4.15 | U | 2.6 | 5.6 | 2.65 | 5.65 |
| B | — | 4.2 | — | 4.25 | V | 2.7 | 5.7 | 2.75 | 5.75 |
| C | — | 4.3 | — | 4.35 | X | 2.8 | 5.8 | 2.85 | 5.85 |
| D | — | 4.4 | — | 4.45 | Y | 2.9 | 5.9 | 2.95 | 5.95 |
| E | — | 4.5 | — | 4.55 | Z | 3.0 | 6.0 | 3.05 | 6.05 |

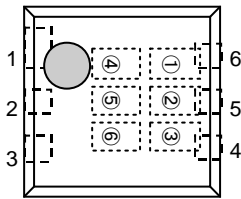
④ represents production lot number

0 to 9, A to Z, reversed character of 0 to 9 and A to Z repeated. (G, I, J, O, Q, W excluded)

MARKING RULE (Continued)

[XC6204]

● USP-6B



USP-6B
(TOP VIEW)

①② represents product series

| MARK | | PRODUCT SERIES |
|------|---|----------------|
| ① | ② | |
| 0 | 4 | XC6204xxxxDx |

③ represents type of regulator

| MARK | TYPE | PRODUCT SERIES |
|------|---|----------------|
| A | CE pin, High Active, Pull-Down Resistor Built-In | XC6204AxxxDx |
| B | CE pin, High Active, No Pull-Down Resistor Built-In | XC6204BxxxDx |
| C | CE pin, High Active, Pull-Up Resistor Built-In | XC6204CxxxDx |
| D | CE pin, Low Active, No Pull-Up Resistor Built-In | XC6204DxxxDx |

④ represents integer of the output voltage

| MARK | VOLTAGE (V) | PRODUCT SERIES |
|------|-------------|----------------|
| 3 | 3.X | XC6204x3xxDx |
| 5 | 5.X | XC6204x5xxDx |

⑤ represents decimal number of output voltage

| MARK | VOLTAGE (V) | PRODUCT SERIES | MARK | VOLTAGE (V) | PRODUCT SERIES |
|------|-------------|----------------|------|-------------|----------------|
| 0 | X.0 | XC6204xx0xDx | A | X.05 | XC6204xx0ADx |
| 1 | X.1 | XC6204xx1xDx | B | X.15 | XC6204xx1ADx |
| 2 | X.2 | XC6204xx2xDx | C | X.25 | XC6204xx2ADx |
| 3 | X.3 | XC6204xx3xDx | D | X.35 | XC6204xx3ADx |
| 4 | X.4 | XC6204xx4xDx | E | X.45 | XC6204xx4ADx |
| 5 | X.5 | XC6204xx5xDx | F | X.55 | XC6204xx5ADx |
| 6 | X.6 | XC6204xx6xDx | H | X.65 | XC6204xx6ADx |
| 7 | X.7 | XC6204xx7xDx | K | X.75 | XC6204xx7ADx |
| 8 | X.8 | XC6204xx8xDx | L | X.85 | XC6204xx8ADx |
| 9 | X.9 | XC6204xx9xDx | M | X.95 | XC6204xx9ADx |

⑥ represents production lot number

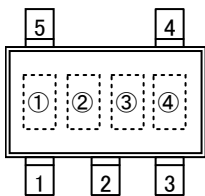
0 to 9, A to Z repeated. (G, I, J, O, Q, W excluded)

Note: No character inversion used.

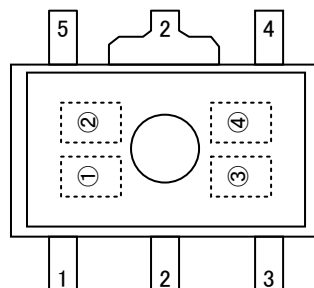
MARKING RULE (Continued)

[XC6205]

● SOT-25, SOT-89-5



SOT-25
(TOP VIEW)



SOT-89-5
(TOP VIEW)

① represents product series

| MARK | PRODUCT SERIES |
|------|----------------|
| 5 | XC6205xxxxxx |

② represents type of regulator

| MARK | | PRODUCT SERIES |
|------------------------------------|-----------------------------------|----------------|
| OUTPUT VOLTAGE 100mV INCREMENTS | OUTPUT VOLTAGE 50mV INCREMENTS | |
| V | E | XC6205Axxxxx |
| X | F | XC6205Bxxxxx |
| Y | H | XC6205Cxxxxx |
| Z | K | XC6205Dxxxxx |

③ represents output voltage

| MARK | OUTPUT VOLTAGE (V) | | MARK | OUTPUT VOLTAGE (V) | |
|------|--------------------|------|------|--------------------|------|
| 8 | 0.9 | 0.95 | D | 1.4 | 1.45 |
| 9 | 1.0 | 1.05 | E | 1.5 | 1.55 |
| A | 1.1 | 1.15 | F | 1.6 | 1.65 |
| B | 1.2 | 1.25 | H | 1.7 | 1.75 |
| C | 1.3 | 1.35 | | | |

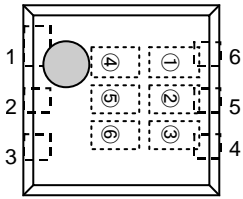
④ represents production lot number

0 to 9, A to Z, reversed character of 0 to 9 and A to Z repeated. (G, I, J, O, Q, W excluded)

MARKING RULE(Continued)

[XC6205]

● USP-6B



USP-6B
(TOP VIEW)

①② represents product series

| MARK | | PRODUCT SERIES |
|------|---|----------------|
| ① | ② | |
| 0 | 5 | XC6205xxxxDx |

③ represents type of voltage regulator

| MARK | TYPE | PRODUCT SERIES |
|------|---|----------------|
| A | CE pin: High Active with Pull-Down Resistor Built-In | XC6205AxxxDx |
| B | CE pin: High Active with No Pull-Down Resistor Built-In | XC6205BxxxDx |
| C | CE pin: Low Active with Pull-Up Resistor Built-In | XC6205CxxxDx |
| D | CE pin: Low Active with No Pull-Up Resistor Built-In | XC6205DxxxDx |

④ represents integer of output voltage

| MARK | VOLTAGE (V) | PRODUCT SERIES |
|------|-------------|----------------|
| 3 | 3.X | XC6205x3xxDx |
| 5 | 5.X | XC6205x5xxDx |

⑤ represents decimal point of output voltage

| MARK | OUTPUT VOLTAGE (V) | | MARK | OUTPUT VOLTAGE (V) | |
|------|--------------------|--------------|------|--------------------|--------------|
| 0 | X.0 | XC6205xx0xDx | A | X.05 | XC6205xx0ADx |
| 1 | X.1 | XC6205xx1xDx | B | X.15 | XC6205xx1ADx |
| 2 | X.2 | XC6205xx2xDx | C | X.25 | XC6205xx2ADx |
| 3 | X.3 | XC6205xx3xDx | D | X.35 | XC6205xx3ADx |
| 4 | X.4 | XC6205xx4xDx | E | X.45 | XC6205xx4ADx |
| 5 | X.5 | XC6205xx5xDx | F | X.55 | XC6205xx5ADx |
| 6 | X.6 | XC6205xx6xDx | H | X.65 | XC6205xx6ADx |
| 7 | X.7 | XC6205xx7xDx | K | X.75 | XC6205xx7ADx |
| 8 | X.8 | XC6205xx8xDx | L | X.85 | XC6205xx8ADx |
| 9 | X.9 | XC6205xx8xDx | M | X.95 | XC6205xx9ADx |

⑥ represents production lot number

0 to 9, A to Z repeated (G, I, J, O, Q, W excluded)

*No character inversion used.