

Ultra-Low Supply Current 0.6 $\mu$ A High Speed Voltage Regulators

☆Green Operation Compatible

## ■GENERAL DESCRIPTION

The XC6241 series are CMOS process high-speed voltage regulator ICs with low supply current, high accuracy, and high ripple rejection. The output voltage is fixed internally and can be set in the range of 1.2V to 5.0V.

It has a Green Operation (GO) function that achieves both high-speed operation and low supply current, and switches automatically between high speed (HS) mode and power save (PS) mode according to the output current.

At light load, high efficiency is realized by operating in PS mode with low supply current, and at heavy load, high-speed operation is enabled by operating in HS mode. This is ideal for applications that require both low supply current and high-speed operation.

The lineup package of the small and thin USPQ-4B05 and general-purpose SSOT-24 are available for various applications. Low ESR capacitors such as ceramic capacitors can be used at the output capacitors.

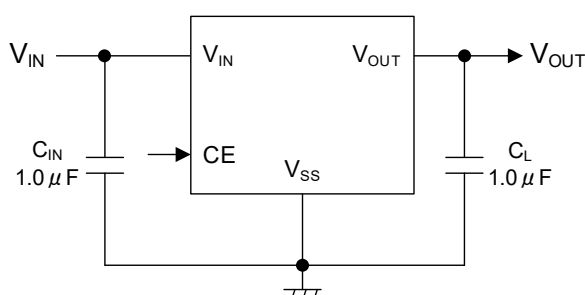
## ■APPLICATIONS

- Smart meters
- Smart cards
- Wearable devices
- Remote controllers

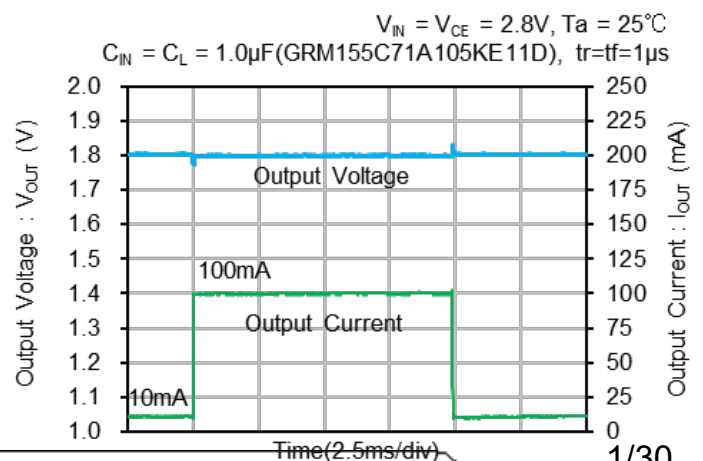
## ■FEATURES

|                                      |   |  |
|--------------------------------------|---|--|
| <b>Low Supply Current</b>            | : | 0.6 $\mu$ A (PS)   |
| <b>Accuracy</b>                      | : | $\pm 1.0\%$ ( $V_{OUT} \geq 2.00V$ )<br>$\pm 20mV$ ( $V_{OUT} \leq 1.95V$ )      |
| <b>Operating Voltage Range</b>       | : | 1.6V ~ 6.0V  |
| <b>Output Voltage Range</b>          | : | 1.2V ~ 5.0V (0.05V increments)   |
| <b>Maximum Output Current</b>        | : | 150mA  |
| <b>High Ripple Rejection</b>         | : | 60dB@1kHz (HS)   |
| <b>Function</b>                      | : | Green Operation,<br>CE function: "H" Active<br>C <sub>L</sub> Discharge (A TYPE) |
| <b>Protective Function</b>           | : | Current Limit 250mA (TYP.)<br>Short-Circuit Current 15mA (TYP.)                  |
| <b>Output Capacitor</b>              | : | Ceramic capacitor  |
| <b>Operating Ambient Temperature</b> | : | -40°C ~ 105°C  |
| <b>Packages</b>                      | : | USPQ-4B05 (1.0 x 1.0 x h0.33mm)<br>SSOT-24 (2.0 x 2.1 x h1.1mm)                  |
| <b>Environmentally Friendly</b>      | : | EU RoHS Compliant, Pb Free   |

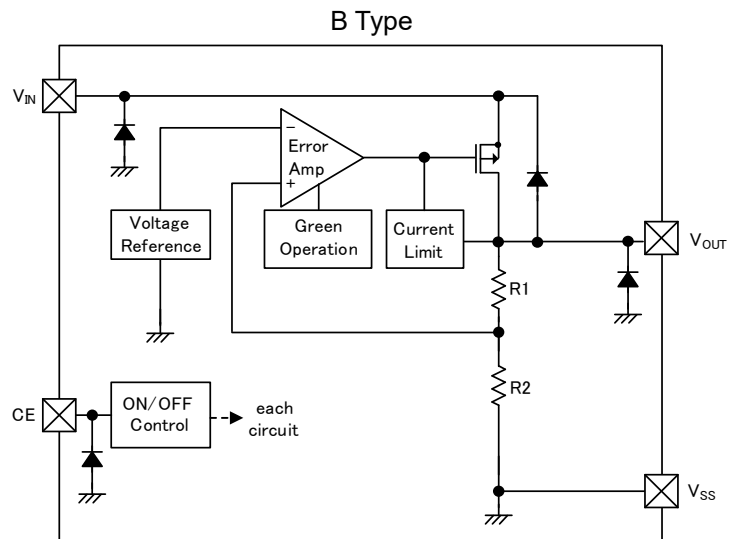
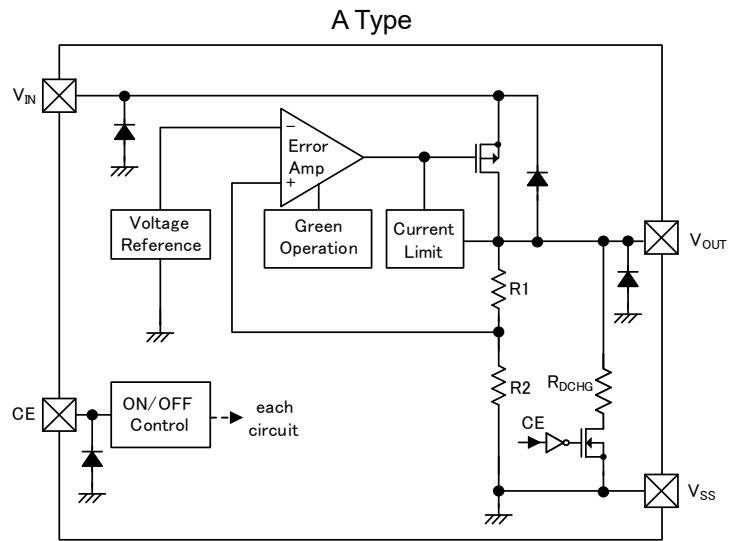
## ■TYPICAL APPLICATION CIRCUIT



## ■TYPICAL PERFORMANCE CHARACTERISTICS

XC6241( $V_{OUT}=1.8V$ )

## ■ BLOCK DIAGRAMS



※Diodes inside the circuits are ESD protection diodes and parasitic diodes.

## ■ PRODUCT CLASSIFICATION

● Ordering Information

XC6241①②③④⑤⑥-⑦<sup>(\*)</sup>

| DESIGNATOR | ITEM  | SYMBOL              | DESCRIPTION                                       |
|------------|---|---------------------|---|
| ①          | TYPE  | A                   | With C <sub>L</sub> auto-discharge function       |
|            |   | B                   | Without C <sub>L</sub> auto-discharge function    |
| ②③         | Output Voltage  | 12 ~ 50             | e.g. 2.8V ②=2, ③=8                                |
| ④          | Output Voltage<br>(the 2 <sup>nd</sup> decimal place) | 1                   | Output Voltage {x.x0V} e.g. 2.80V → ②=2, ③=8, ④=1 |
|            |   | B                   | Output Voltage {x.x5V} e.g. 2.85V → ②=2, ③=8, ④=B |
| ⑤⑥-⑦       | Packages<br>(Order Unit)                              | 9R-G <sup>(*)</sup> | USPQ-4B05 (5,000pcs/Reel)                         |
|            |   | NR-G <sup>(*)</sup> | SSOT-24 (3,000pcs/Reel)                           |

<sup>(\*)</sup> "-G" suffix denotes Halogen and Antimony free as well as being fully EU RoHS compliant.

## ■ PIN CONFIGURATION



## ■ PIN ASSIGNMENT

| PIN NUMBER |         | PIN NAME         | FUNCTION   |
|------------|---------|------------------|--|
| USPQ-4B05  | SSOT-24 |                  |  |
| 1          | 3       | V <sub>OUT</sub> | Output   |
| 2          | 2       | V <sub>SS</sub>  | Ground   |
| 3          | 1       | CE               | ON/OFF Control   |
| 4          | 4       | V <sub>IN</sub>  | Power Input  |
| 5          | -       | EP               | Exposed thermal pad.<br>The Exposed pad must be connected to V <sub>ss</sub> (Pin2). |

## ■ FUNCTION CHART

| PIN NAME | SIGNAL | STATUS           |
|----------|--------|------------------|
| CE       | H      | Active           |
|          | L      | Stand-by         |
|          | OPEN   | Undefined state* |

\*Please do not leave the CE pin open. Each should have a certain voltage.

## ■ ABSOLUTE MAXIMUM RATINGS

| PARAMETER                                   |           | SYMBOL           | RATINGS   | UNITS |
|---|-----------|------------------|---|-------|
| V <sub>IN</sub> Pin Voltage                 |           | V <sub>IN</sub>  | -0.3 ~ 6.5  | V     |
| V <sub>OUT</sub> Pin Voltage                |           | V <sub>OUT</sub> | -0.3 ~ V <sub>IN</sub> + 0.3 or 6.5 <sup>(*1)</sup> | V     |
| CE Pin Voltage                              |           | V <sub>CE</sub>  | -0.3 ~ 6.5  | V     |
| Power Dissipation<br>(T <sub>a</sub> =25°C) | USPQ-4B05 | P <sub>d</sub>   | 550 (40mm x 40mm Standard board) <sup>(*2)</sup>    | mW    |
|   | SSOT-24   |                  | 680 (JESD51-7 board) <sup>(*2)</sup>                |       |
| Operating Ambient Temperature               |           | T <sub>opr</sub> | -40 ~ 105   | °C    |
| Junction Temperature                        |           | T <sub>j</sub>   | -40 ~ 125   | °C    |
| Storage Temperature                         |           | T <sub>stg</sub> | -55 ~ 125   | °C    |

All voltages are described based on the V<sub>SS</sub>.

<sup>(\*1)</sup> The maximum rating corresponds to the lowest value between V<sub>IN</sub>+0.3V or 6.5V.

<sup>(\*2)</sup> The power dissipation figure shown is PCB mounted and is for reference only.

Please refer to PACKAGING INFORMATION for the mounting condition.

## ■ RECOMMENDED OPERATING CONDITIONS

| PARAMETER                          | SYMBOL           | MIN.                | TYP. | MAX. | UNITS |
|------------------------------------|------------------|---------------------|------|------|-------|
| Input Voltage                      | V <sub>IN</sub>  | 1.6                 | -    | 6.0  | V     |
| Output Current                     | I <sub>OUT</sub> | 0.0                 | -    | 150  | mA    |
| CE Pin Voltage                     | V <sub>CE</sub>  | 0.0                 | -    | 6.0  | V     |
| Operating Ambient Temperature      | T <sub>opr</sub> | -40                 | -    | 105  | °C    |
| Junction Temperature               | T <sub>j</sub>   | -40                 | -    | 125  | °C    |
| Input Capacitor (Effective Value)  | C <sub>IN</sub>  | 1.0 <sup>(*1)</sup> | -    | 1000 | μF    |
| Output Capacitor (Effective Value) | C <sub>L</sub>   | 1.0 <sup>(*1)</sup> | -    | 100  | μF    |

All voltages are described based on the V<sub>SS</sub>.

<sup>(\*1)</sup> Some ceramic capacitors have an effective capacitance that is significantly lower than the nominal value due to the applied DC bias and ambient temperature.

For the input / output capacitance of this IC, use an appropriate ceramic capacitor according to the DC bias usage conditions (ambient temperature, input / output voltage) so that the effective capacitance value is equal to or higher than the recommended component.

## ELECTRICAL CHARACTERISTICS

Ta=25°C

| PARAMETER   | SYMBOL  | CONDITIONS   | MIN.   | TYP.                               | MAX.   | UNIT   | CIRCUIT |
|---|---|--|--|------------------------------------|--|--------|---------|
| Input Voltage   | V <sub>IN</sub>   |  | 1.6  | -                                  | 6.0  | V      | ①       |
| Output Voltage  | V <sub>OUT(E)</sub> <sup>(*)</sup>                          | V <sub>OUT(T)</sub> ≥ 2.00V<br>I <sub>OUT</sub> = 10mA   | V <sub>OUT(T)</sub> <sup>(*)</sup><br>× 0.99 | V <sub>OUT(T)</sub> <sup>(*)</sup> | V <sub>OUT(T)</sub> <sup>(*)</sup><br>× 1.01 | V      | ①       |
|   |   | V <sub>OUT(T)</sub> ≤ 1.95V<br>I <sub>OUT</sub> = 10mA   | V <sub>OUT(T)</sub> <sup>(*)</sup><br>-0.02  |                                    | V <sub>OUT(T)</sub> <sup>(*)</sup><br>+ 0.02 |        |         |
| Maximum Output Current  | I <sub>OUTMAX</sub>   |  | 150  | -                                  | -  | mA     | ①       |
| Load Regulation   | ΔV <sub>OUT</sub>   | 10mA ≤ I <sub>OUT</sub> ≤ 150mA  | -  | -                                  | 20   | mV     | ①       |
|   |   | 0.1mA ≤ I <sub>OUT</sub> ≤ 150mA   | -  | 10                                 | 50   |        |         |
| Dropout Voltage   | V <sub>dif</sub> <sup>(*)</sup>                             | I <sub>OUT</sub> = 150mA   | -  | E-1                                |  | mV     | ①       |
| Supply Current  | I <sub>SS</sub>   | I <sub>OUT</sub> = 0mA   | -  | 0.6                                | 0.9  | μA     | ②       |
| Stand-by Current  | I <sub>STB</sub>  | V <sub>IN</sub> = 6.0V, V <sub>CE</sub> = V <sub>SS</sub>  | -  | 0.01                               | 0.1  | μA     | ②       |
| Line Regulation   | ΔV <sub>OUT</sub> / (ΔV <sub>IN</sub> · V <sub>OUT</sub> )  | V <sub>OUT(T)</sub> + 0.5V ≤ V <sub>IN</sub> ≤ 6.0V<br>I <sub>OUT</sub> = 30mA   | -  | ±0.05                              | ±0.20  | %/V    | ①       |
| Output Voltage Temperature Characteristics                            | ΔV <sub>OUT</sub> / (ΔT <sub>opr</sub> · V <sub>OUT</sub> ) | I <sub>OUT</sub> = 10mA<br>-40°C ≤ T <sub>opr</sub> ≤ 105°C  | -  | ±50                                | -  | ppm/°C | ①       |
| Ripple Rejection  | PSRR  | V <sub>IN</sub> = 5.75V <sub>DC</sub> + 0.5V <sub>p-pAC</sub><br>4.75V ≤ V <sub>OUT(T)</sub><br>V <sub>CE</sub> = V <sub>IN</sub> , I <sub>OUT</sub> = 30mA, f = 1kHz                      | -  | 60                                 | -  | dB     | ④       |
|   |   | V <sub>IN</sub> = {V <sub>OUT(T)</sub> + 1.0}V <sub>DC</sub> + 0.5V <sub>p-pAC</sub> , V <sub>OUT(T)</sub> ≤ 4.7V<br>V <sub>CE</sub> = V <sub>IN</sub> , I <sub>OUT</sub> = 30mA, f = 1kHz |  |                                    |  |        |         |
| Current Limit   | I <sub>LIM</sub>  | V <sub>OUT</sub> = V <sub>OUT(E)</sub> × 0.95  | 155  | 250                                | -  | mA     | ①       |
| Short-Circuit Current   | I <sub>SHORT</sub>  | V <sub>OUT</sub> = V <sub>SS</sub>   | -  | 15                                 | -  | mA     | ①       |
| PS <sup>(*)</sup> Switched Current                                    | I <sub>GOR</sub>  | I <sub>OUT</sub> : heavy to light load   | 0.5  | -                                  | -  | mA     | ②       |
| HS <sup>(*)</sup> Switched Current                                    | I <sub>GO</sub>   | I <sub>OUT</sub> : light to heavy load   | -  | -                                  | 10   | mA     | ②       |
| CE "H" Level Voltage  | V <sub>CEH</sub>  |  | 1.2  | -                                  | 6.0  | V      | ③       |
| CE "L" Level Voltage  | V <sub>CEL</sub>  | V <sub>IN</sub> = 6.0V   | V <sub>SS</sub>                              | -                                  | 0.3  | V      | ③       |
| CE "H" Level Current  | I <sub>CEH</sub>  | V <sub>IN</sub> = V <sub>CE</sub> = 6.0V   | -0.1   | 0.0                                | 0.1  | μA     | ③       |
| CE "L" Level Current  | I <sub>CEL</sub>  | V <sub>IN</sub> = 6.0V, V <sub>CE</sub> = V <sub>SS</sub>  | -0.1   | 0.0                                | 0.1  | μA     | ③       |
| C <sub>L</sub> Auto-Discharge Resistance (Only A Type) <sup>(*)</sup> | R <sub>DCHG</sub>   | V <sub>IN</sub> = V <sub>OUT</sub> = 6.0V, V <sub>CE</sub> = V <sub>SS</sub>   | -  | 280                                | -  | Ω      | ①       |

Unless otherwise stated regarding input voltage conditions,

(V<sub>IN</sub> = V<sub>OUT(T)</sub> + 1.0V), V<sub>CE</sub> = V<sub>IN</sub>, C<sub>IN</sub> = 1.0μF, C<sub>L</sub> = 1.0μF.

<sup>(\*)</sup> V<sub>OUT(E)</sub> : Active output voltage value

<sup>(\*)</sup> V<sub>OUT(T)</sub> : Set output voltage value

<sup>(\*)</sup> V<sub>dif</sub> = {V<sub>IN1</sub> - V<sub>OUT1</sub>}

V<sub>IN1</sub> : As input voltage is gradually reduced, the input voltage at which V<sub>OUT1</sub> is output.

V<sub>OUT1</sub> : 98% of the output voltage when V<sub>IN</sub> is input after stabilizing sufficiently at I<sub>OUT</sub> {V<sub>OUT(T)</sub> + 1.0V}.

<sup>(\*)</sup> PS: Power save mode (Low current consumption operation) <sup>(\*)</sup> HS: High speed mode (High speed operation)

<sup>(\*)</sup> For B type, the discharge resistance is in series with the block diagram R1 and R2.

## ■ ELECTRICAL CHARACTERISTICS

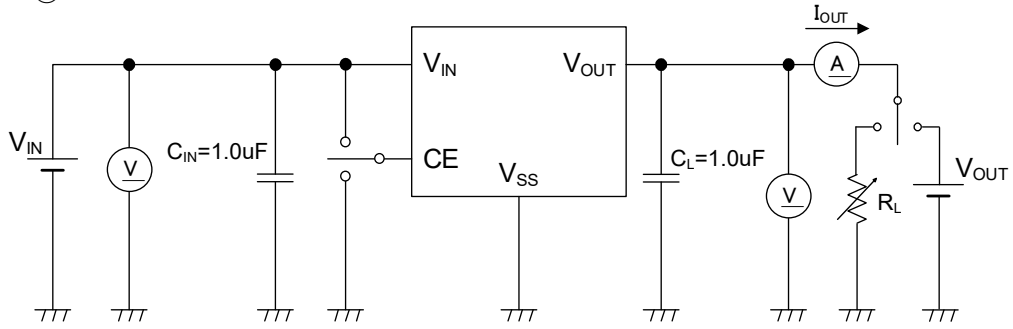
● Voltage Chart

| SYMBOL              | E-1   |     |
|---------------------|---|-----|
|                     | DROPOUT VOLTAGE<br>V <sub>dif</sub> (mV)<br>I <sub>OUT</sub> =150mA |     |
|                     | V <sub>dif</sub>  |     |
| V <sub>OUT(T)</sub> | TYP.  | MAX |
| 1.20                | 470   | 825 |
| 1.25                |   |     |
| 1.30                |   |     |
| 1.35                |   |     |
| 1.40                |   |     |
| 1.45                |   |     |
| 1.50                |   |     |
| 1.55                |   |     |
| 1.60                | 315   | 550 |
| 1.65                |   |     |
| 1.70                |   |     |
| 1.75                |   |     |
| 1.80                |   |     |
| 1.85                |   |     |
| 1.90                |   |     |
| 1.95                |   |     |
| 2.00                | 240   | 420 |
| 2.05                |   |     |
| 2.10                |   |     |
| 2.15                |   |     |
| 2.20                |   |     |
| 2.25                |   |     |
| 2.30                |   |     |
| 2.35                |   |     |
| 2.40                |   |     |
| 2.45                |   |     |
| 2.50                | 200   | 325 |
| 2.55                |   |     |
| 2.60                |   |     |
| 2.65                |   |     |
| 2.70                |   |     |
| 2.75                |   |     |
| 2.80                |   |     |
| 2.85                |   |     |
| 2.90                |   |     |
| 2.95                |   |     |
| 3.00                | 165   | 255 |
| 3.05                |   |     |
| 3.10                |   |     |
| 3.15                |   |     |
| 3.20                |   |     |
| 3.25                |   |     |
| 3.30                |   |     |
| 3.35                |   |     |

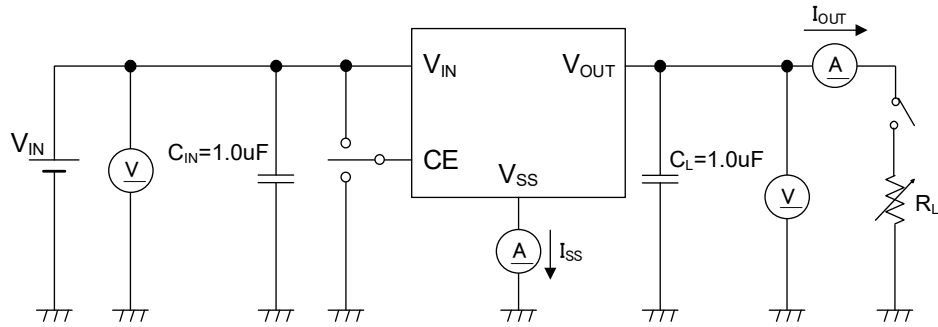
| SYMBOL              | E-1   |     |
|---------------------|---|-----|
|                     | DROPOUT VOLTAGE<br>V <sub>dif</sub> (mV)<br>I <sub>OUT</sub> =150mA |     |
|                     | V <sub>dif</sub>  |     |
| V <sub>OUT(T)</sub> | TYP.  | MAX |
| 3.40                | 165   | 255 |
| 3.45                |   |     |
| 3.50                |   |     |
| 3.55                |   |     |
| 3.60                |   |     |
| 3.65                |   |     |
| 3.70                |   |     |
| 3.75                |   |     |
| 3.80                | 130   | 235 |
| 3.85                |   |     |
| 3.90                |   |     |
| 3.95                |   |     |
| 4.00                |   |     |
| 4.05                |   |     |
| 4.10                |   |     |
| 4.15                |   |     |
| 4.20                |   |     |
| 4.25                |   |     |
| 4.30                |   |     |
| 4.35                |   |     |
| 4.40                |   |     |
| 4.45                |   |     |
| 4.50                |   |     |
| 4.55                |   |     |
| 4.60                |   |     |
| 4.65                |   |     |
| 4.70                |   |     |
| 4.75                |   |     |
| 4.80                |   |     |
| 4.85                |   |     |
| 4.90                |   |     |
| 4.95                |   |     |
| 5.00                |   |     |

## TEST CIRCUITS

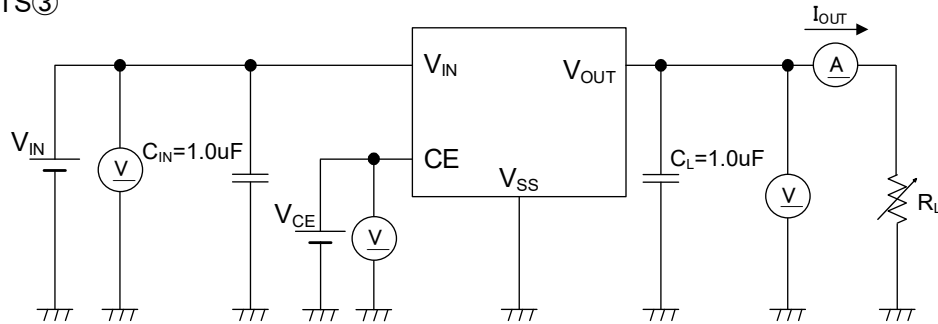
TEST CIRCUITS①



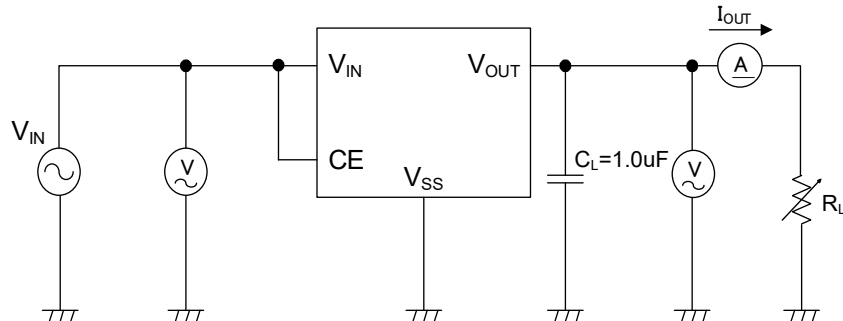
TEST CIRCUITS②



TEST CIRCUITS③

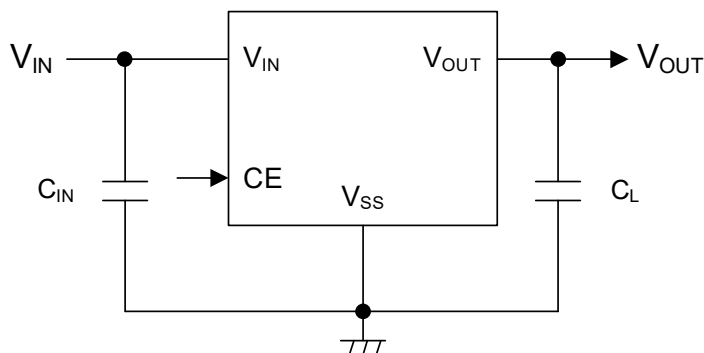


TEST CIRCUITS④





## ■ TYPICAL APPLICATION CIRCUIT



### 【Typical Examples】<sup>(\*)</sup>

|                                  | MANUFACTURER | PRODUCT NUMBER     | VALUE                | SIZE(L×W×T)      |
|----------------------------------|--------------|--------------------|----------------------|------------------|
| C <sub>IN</sub> , C <sub>L</sub> | Murata       | GRM155C71A105KE11D | 1.0μF/10V            | 1.0×0.5×0.6(mm)  |
|                                  | Murata       | GRM033D70J105ME01D | 1.0μF/6.3V 2parallel | 0.6×0.3×0.39(mm) |
|                                  | Murata       | GRM033R60J225ME47D | 2.2μF/6.3V           | 0.6×0.3×0.39(mm) |

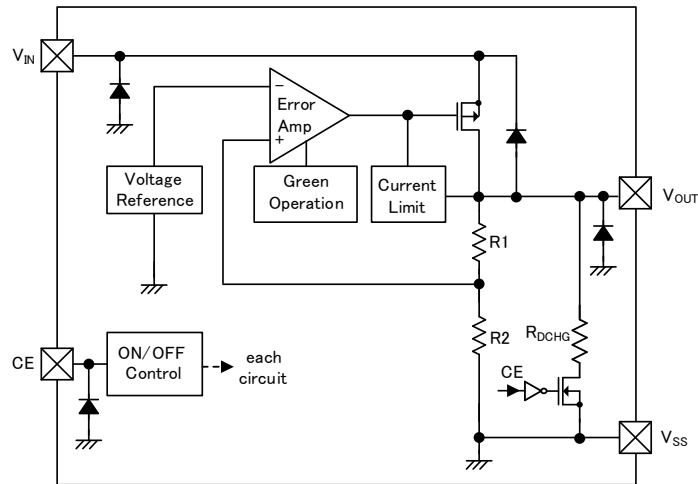
<sup>(\*)</sup> Use a capacitor according to the DC bias usage conditions (ambient temperature, input / output voltage) so that the effective capacitance value is equal to or higher than the recommended component.

For C<sub>L</sub>, the output voltage may become unstable if a capacitor with a low effective capacitance value is used. Also, if large-capacity capacitors such as electrolytic capacitors are connected in parallel, the inrush current may increase at startup and the output voltage may become unstable.

## OPERATIONAL EXPLANATION

The XC6241 series controls the output voltage by means of a scheme in which the error amplifier compares the voltage divided by R1 and R2 connected to the V<sub>OUT</sub> pin with the voltage of the internal reference power supply. The output signal from the error amplifier makes the Pch MOSFET connected to the V<sub>IN</sub> pin drive, and negative feedback is applied to stabilize the output voltage.

The GO function monitors the output current and switches IC's supply current according to the level of output current.



※Diodes inside the circuits are ESD protection diodes and parasitic diodes.

### <Green Operation (GO) Function >

The GO function enables the IC to automatically switch the supply current to the high speed (HS) mode or the power save (PS) mode according to the level of output current. While having both high-speed operation and low supply current state, the series can acquire high efficiency.

At the HS/PS automatic switching mode (GO function), the switching point of the HS mode and the PS mode is being fixed inside the IC. When the output current becomes I<sub>GOR</sub> 0.5mA (MIN.) or below, the mode changes automatically to the PS mode and it can reduce supply current in light load.

Also, when the output current becomes I<sub>GO</sub> 10mA (MAX.) or more, the mode changes automatically to the HS mode and the IC becomes high speed operation. When the input voltage is lower than the set output voltage or the input / output voltage difference is small, it may operate in the HS mode regardless of the output current.

In addition, when the output current fluctuates from a heavy load (HS mode operating range 10mA or more) to a light load (PS mode operating range 0.5mA or less), the IC temporarily reduces the responsiveness to prevent IC malfunction and to keep the output stability.

In addition, when the output current fluctuates from a heavy load to a light load and the mode changes from HS mode to PS mode, the PS mode is forcibly maintained for 10ms to stabilize the output voltage.

### <CE Function>

The XC6241 series allows stopping of the IC internal circuit by a CE pin signal. In shutdown mode, output at the V<sub>OUT</sub> pin will be pulled down to the V<sub>SS</sub> level via R1 & R2.

The A type has the C<sub>L</sub> auto-discharge function, which can quickly discharge the electric charge at the output capacitor (C<sub>L</sub>) when IC is shutdown mode and power is supplied to the V<sub>IN</sub> pin.

The output voltage becomes unstable, when the CE pin is open. Please input a certain voltage within an electrical characteristic into CE pin.

If this IC is used with the correct CE voltage for the CE pin, the logic is fixed and the IC will operate normally. However, supply current may increase as a result of through current 0.16μA(TYP.) in the IC's internal circuit when medium voltage is input to the CE pin.

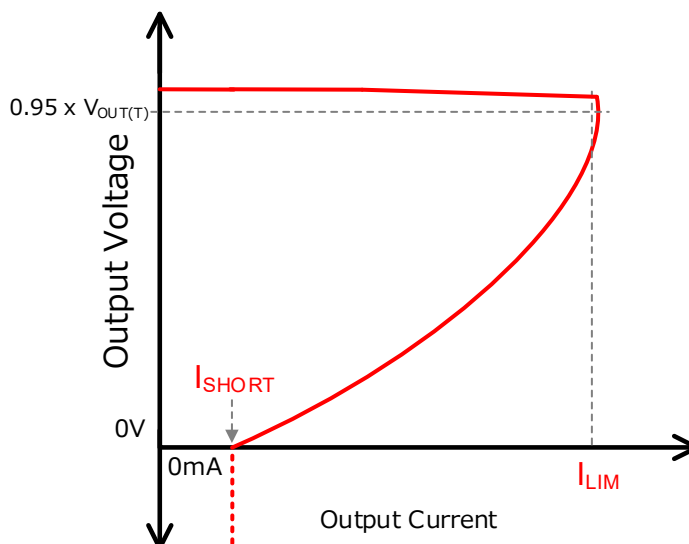
## ■ OPERATIONAL EXPLANATION(Continued)

### < Current Limit, Short-Circuit Protection >

The XC6241 series' foldback circuit operates as an output current of the output pin.

When the output current reaches  $I_{LIM}$  (TYP. 250mA), the fixed current limiter circuit operates and the output voltage drops. As a result of this drop in output voltage, the foldback circuit operates, output voltage drops further and output current decreases. When the output pin is shorted, the output current is  $I_{SHORT}$  (TYP. 15mA) with constant current limit and can be used safely by short-circuit.

As a result, it can be started without any problem even when a negative voltage is applied to the output voltage due to the influence of the start sequence.



### <C<sub>L</sub> Auto-Discharge Function >

The A type has the C<sub>L</sub> auto-discharge function, which can quickly discharge the electric charge at the output capacitor (C<sub>L</sub>).

An Nch MOSFET connect between the V<sub>OUT</sub> pin and the V<sub>SS</sub> pin, and the Nch MOSFET quickly discharge the electric charge in C<sub>L</sub> when a low signal input to the CE pin.

Discharge time of the C<sub>L</sub> and output voltage is determined by a C<sub>L</sub> auto-discharge resistor value R<sub>DCHG</sub> (TYP. 280Ω@V<sub>IN</sub>=6.0V) and an output capacitor value. Output voltage after starting discharge can be calculated by the following formula.

$$V = V_{OUT(E)} \times e^{-t/\tau}$$

|                     |   |
|---------------------|---|
| V                   | : Output voltage after starting discharge                         |
| V <sub>OUT(E)</sub> | : Output voltage  |
| t                   | : Discharge time  |
| τ                   | : R <sub>DCHG</sub> × C <sub>L</sub>                              |
| C <sub>L</sub>      | : Capacitance connected V <sub>OUT</sub> pin                      |
| R <sub>DCHG</sub>   | : Output discharge resistor (C <sub>L</sub> Discharge Resistance) |

It can be expanded on "t",

$$t = \tau \ln(V_{OUT(E)} / V)$$

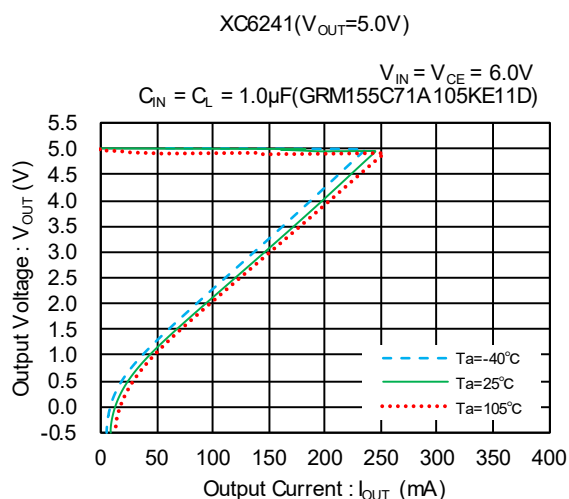
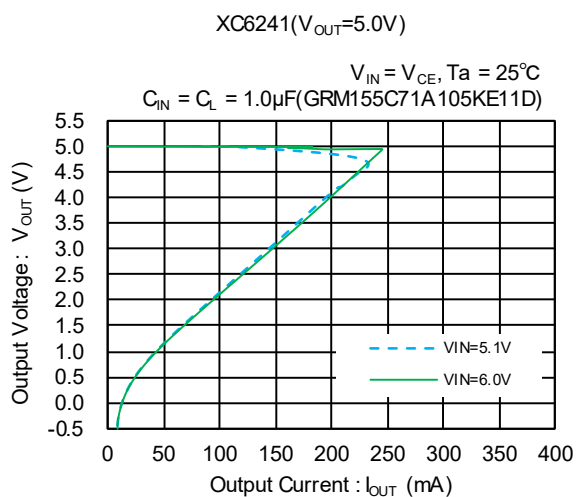
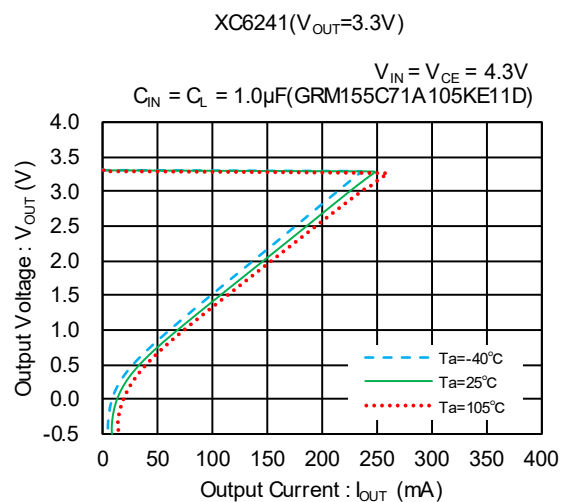
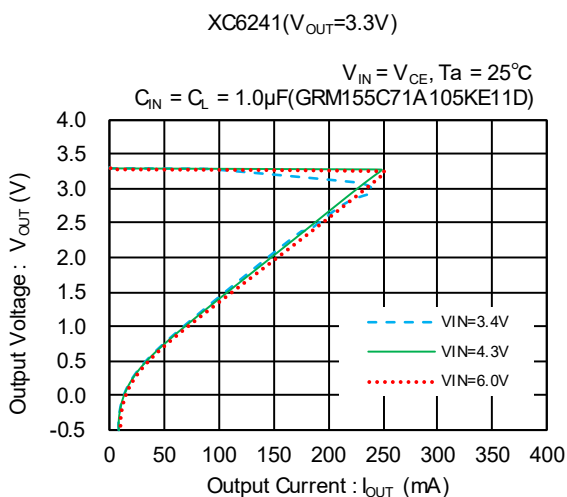
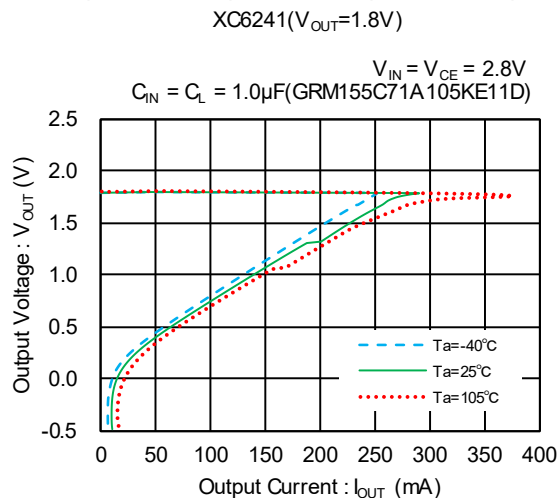
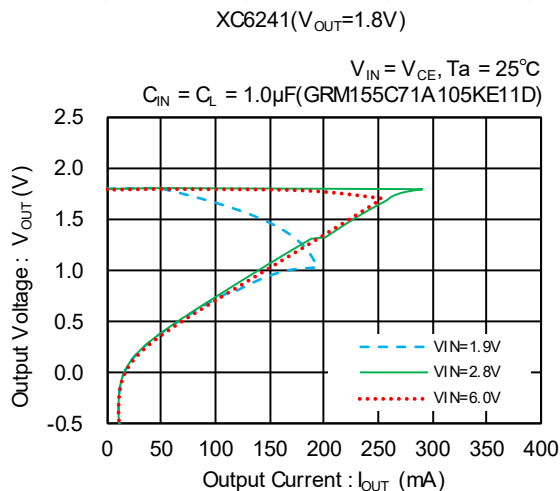
Discharge time can be calculated by the above formula.

## ■ NOTES ON USE

1. For temporary, transitional voltage drop or voltage rising phenomenon, the IC is liable to malfunction should the ratings be exceeded. Also, if the IC used under conditions outside the recommended operating range, the IC may not operate normally or may cause deterioration.
2. Where wiring impedance is high, operations may become unstable due to noise and/or phase lag depending on output current. Please strengthen  $V_{IN}$  and  $V_{SS}$  wiring in particular.
3. The input capacitor ( $C_{IN}$ ) and the output capacitor ( $C_L$ ) should be placed to the IC as close as possible. Capacitances of these capacitors ( $C_{IN}$ ,  $C_L$ ) are decreased by the influences of bias voltage and ambient temperature. Care shall be taken for capacitor selection to ensure stability of phase compensation from the point of Capacitance and ESR influence.
4. The function of Green Operation has the specific threshold current for switching the operation mode according to the output load. In the range of 0.5mA to 10mA, it is unclear which mode to operate due to IC variations. To be fixed the operation mode, we would recommend user designs that stable operation range is over 10mA as HS mode and under 0.5mA as PS mode.
5. When the input voltage is lower than the set output voltage or the input / output voltage difference is extremely small, it may operate in the HS mode regardless of the output current. At this time, ripple voltage may be shown by switching the operation mode if the load current is a light load in PS mode. If it is necessary, please consider increasing the output capacitor to compensate for ripple voltage.
6. When transitioning from HS mode to PS mode due to a fluctuate from heavy load to light load, PS mode is forcibly maintained for 10ms. During this time, the transition to HS mode is not possible, so the output voltage may fluctuate significantly due to load fluctuations. If it is necessary, please consider increasing the output capacitor to compensate for ripple voltage.
7. The current limit function is operating even the output is started. If the IC is started with a current load that exceeds the fold-back curve, a start failure may occur due to the current limiting characteristics. In this case, after the output voltage rises to near the set output voltage, please control the sequence so that the load current is pulled.
8. Torex places an importance on improving our products and their reliabilities. We request that users incorporate fail-safe designs and post-aging prevention treatment when using Torex products in their systems.

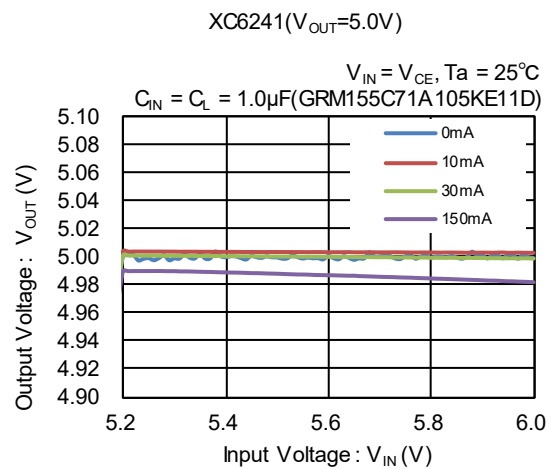
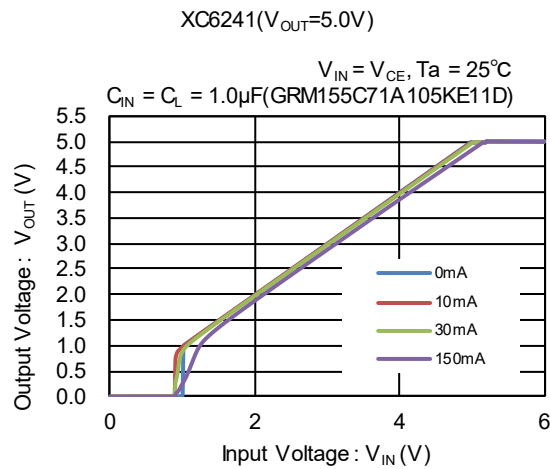
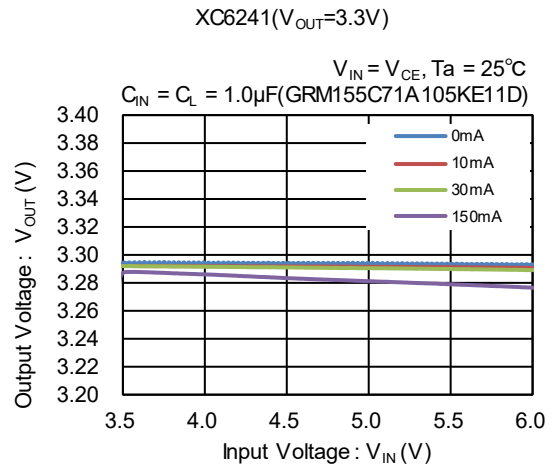
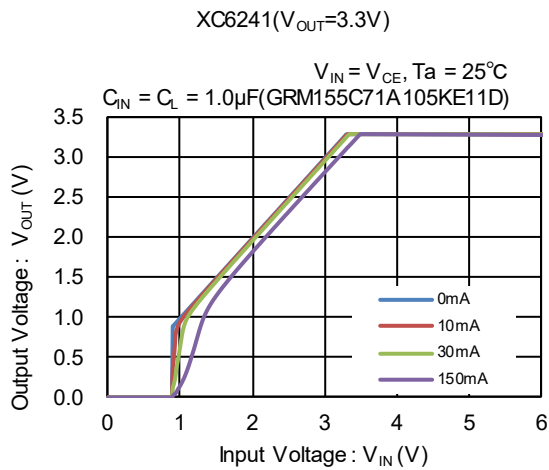
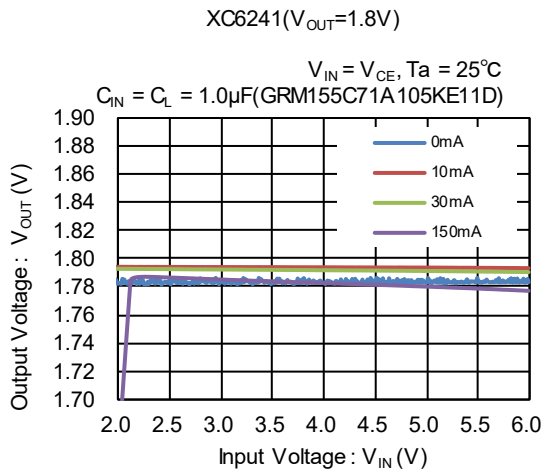
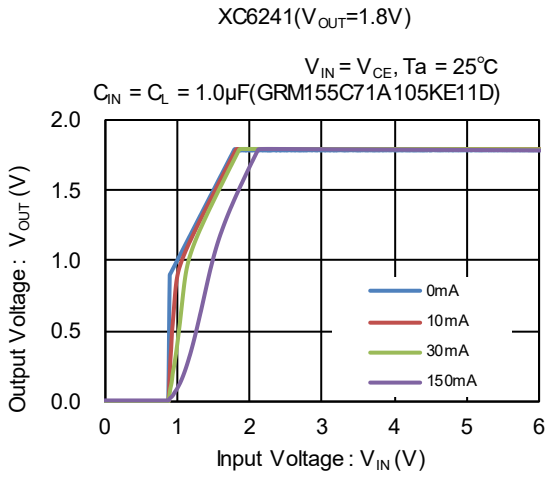
## TYPICAL PERFORMANCE CHARACTERISTICS

### (1) Output Voltage vs. Output Current



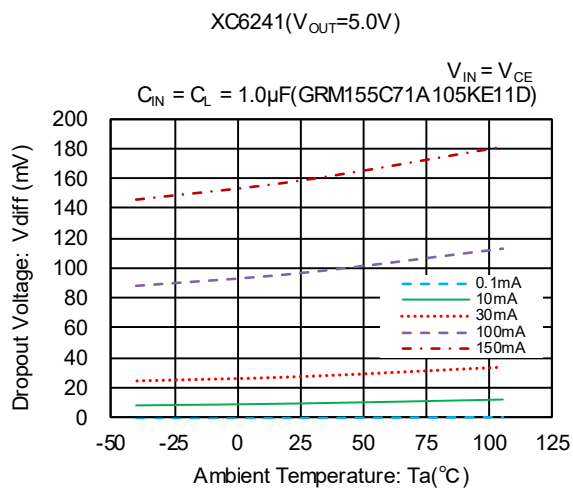
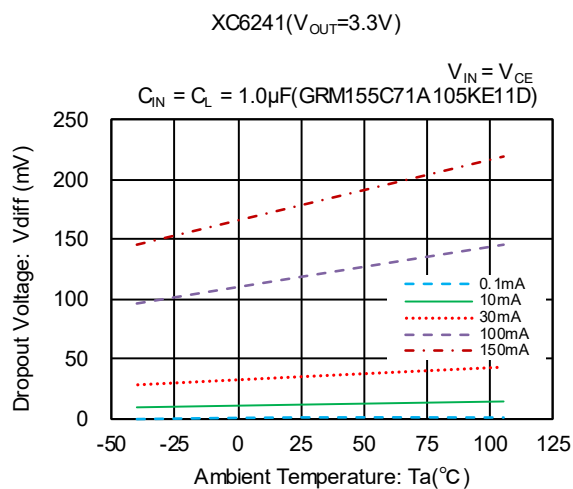
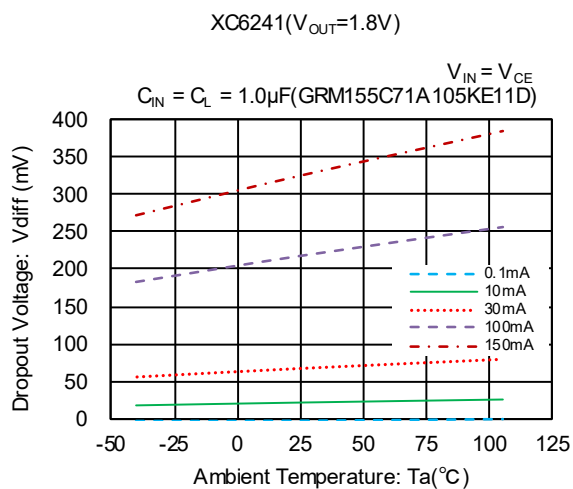
## TYPICAL PERFORMANCE CHARACTERISTICS (Continued)

### (2) Output Voltage vs. Input Voltage



## ■ TYPICAL PERFORMANCE CHARACTERISTICS (Continued)

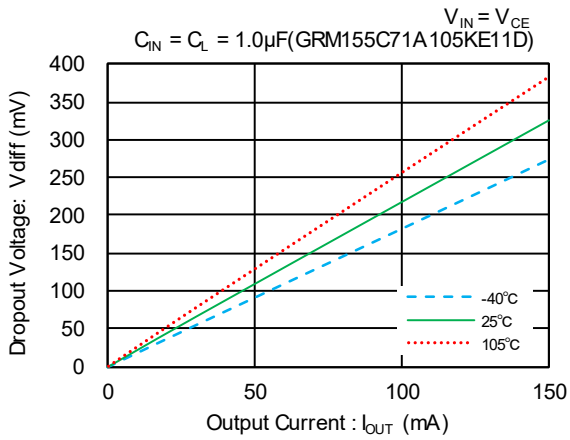
### (3) Dropout Voltage vs. Output Current



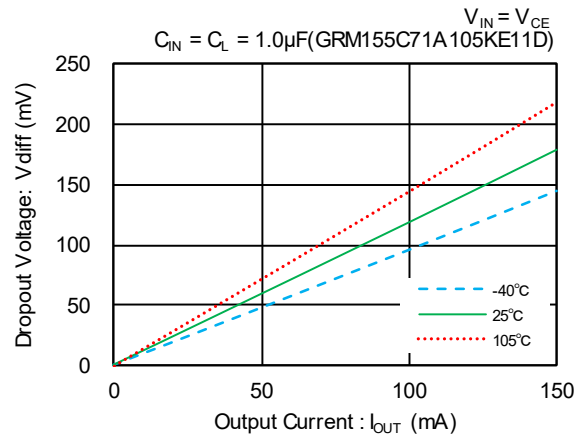
## TYPICAL PERFORMANCE CHARACTERISTICS (Continued)

### (4) Dropout Voltage vs. Ambient Temperature

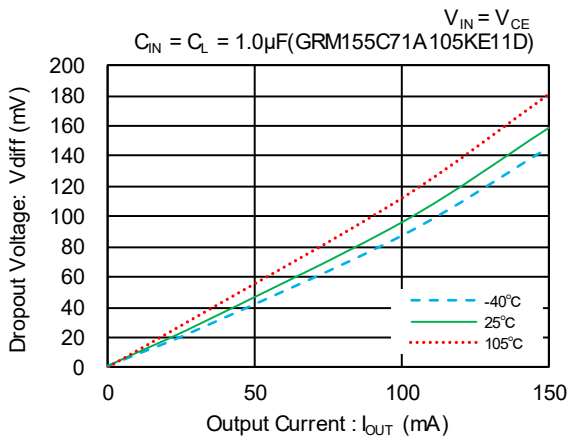
XC6241( $V_{OUT}=1.8V$ )



XC6241( $V_{OUT}=3.3V$ )



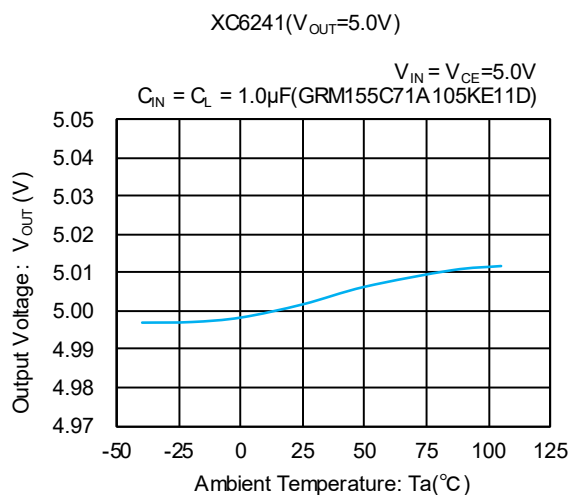
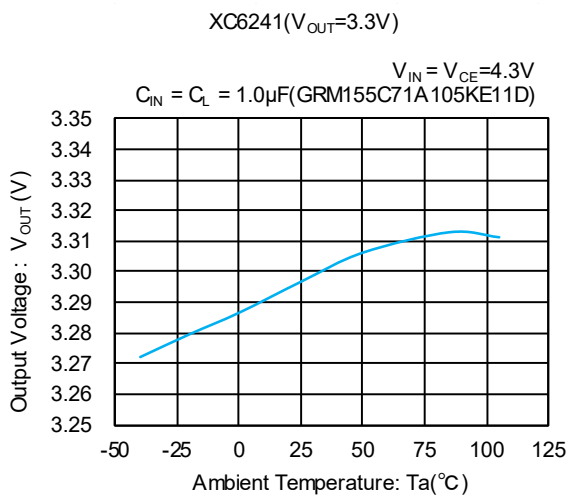
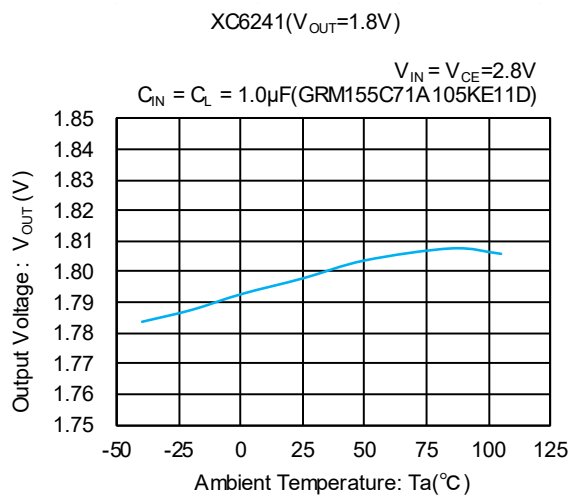
XC6241( $V_{OUT}=5.0V$ )





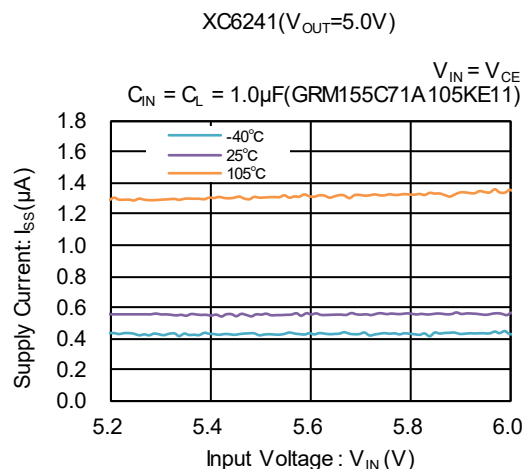
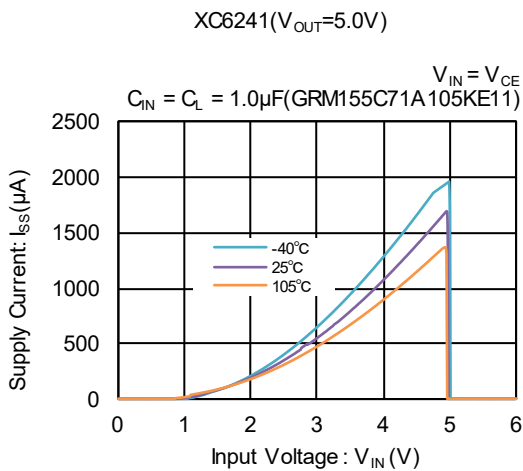
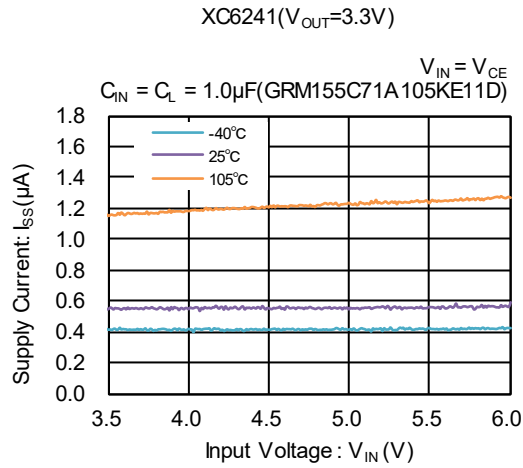
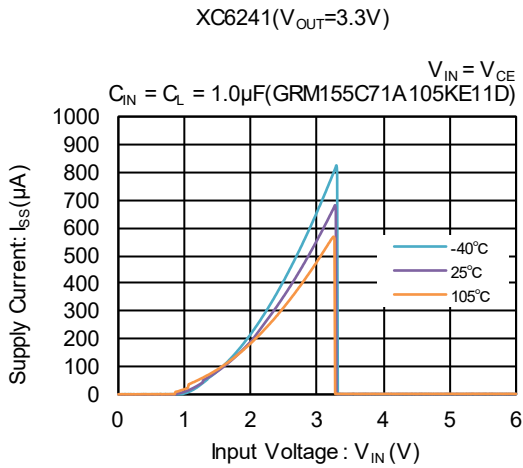
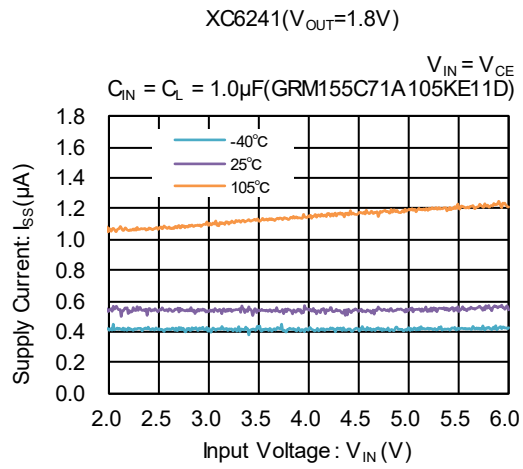
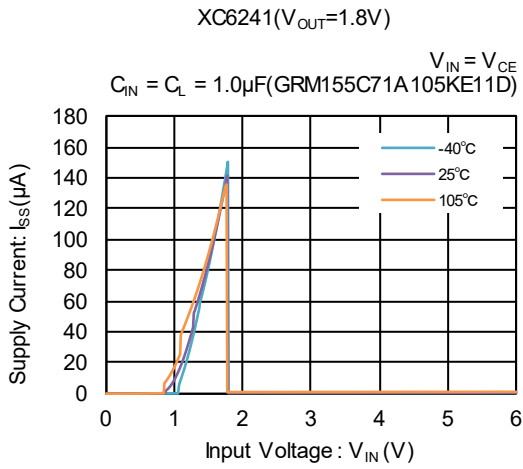
## ■ TYPICAL PERFORMANCE CHARACTERISTICS (Continued)

### (5) Output Voltage vs. Ambient Temperature



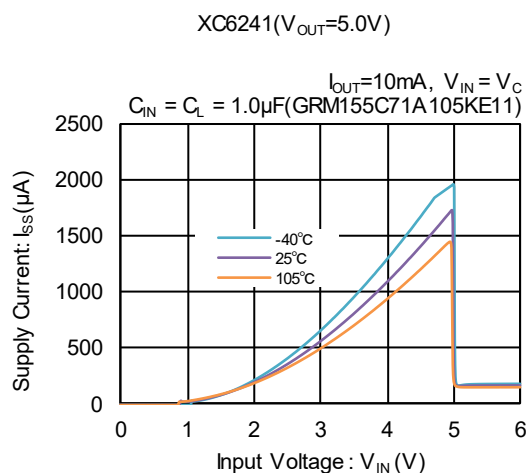
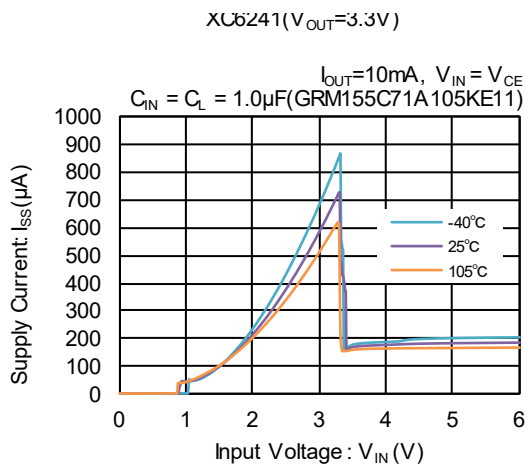
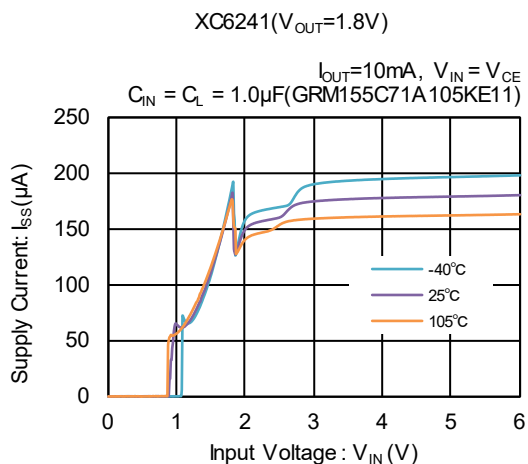
## TYPICAL PERFORMANCE CHARACTERISTICS (Continued)

### (6) Supply Current vs. Input Voltage

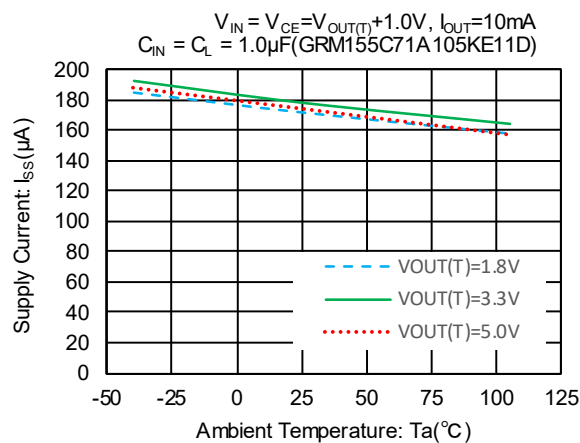
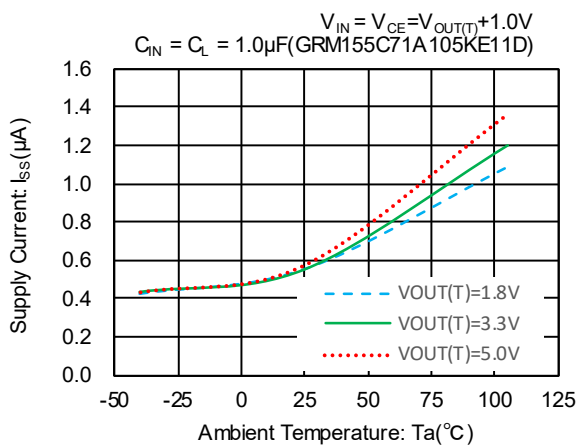


## ■ TYPICAL PERFORMANCE CHARACTERISTICS (Continued)

### (6) Supply Current vs. Input Voltage (Continued)

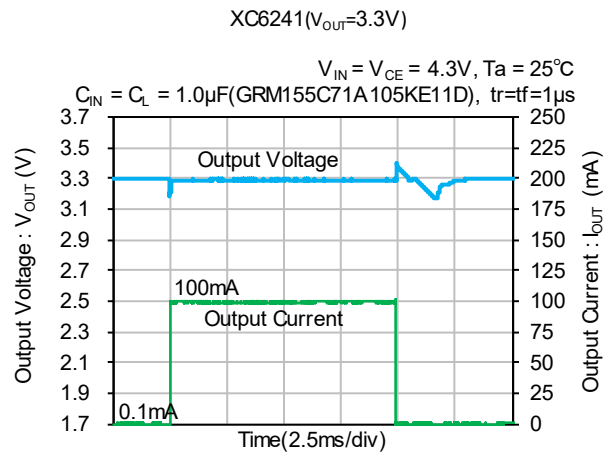
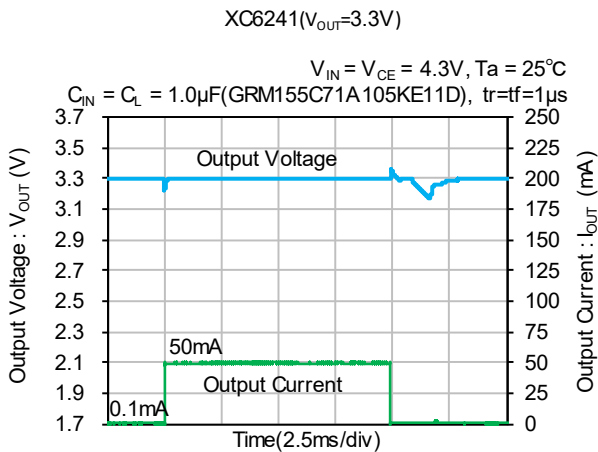
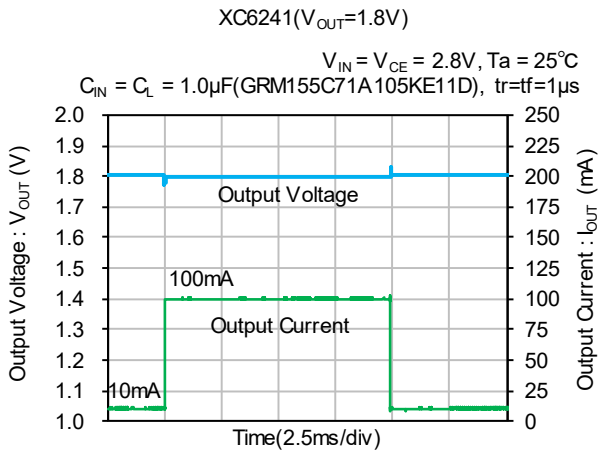
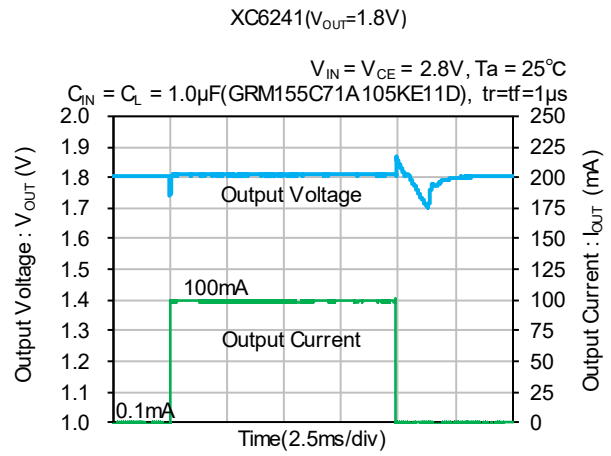
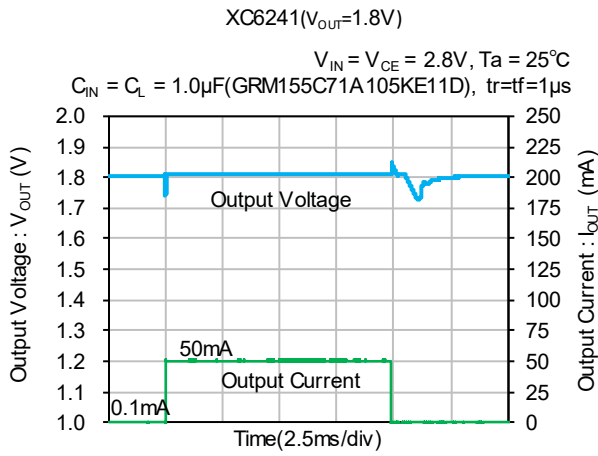


### (7) Supply Current vs. Ambient Temperature



## TYPICAL PERFORMANCE CHARACTERISTICS (Continued)

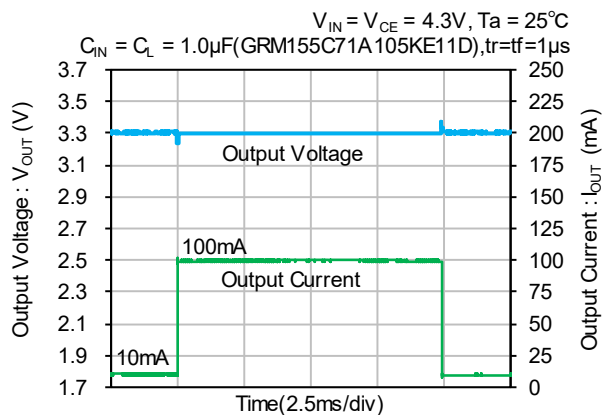
### (8) Load Transient Response



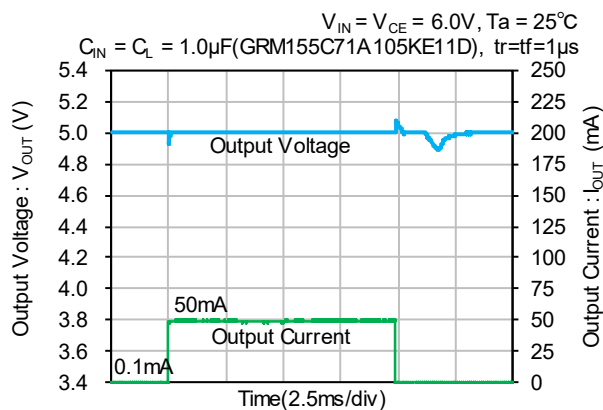
## ■ TYPICAL PERFORMANCE CHARACTERISTICS (Continued)

### (8) Load Transient Response (Continued)

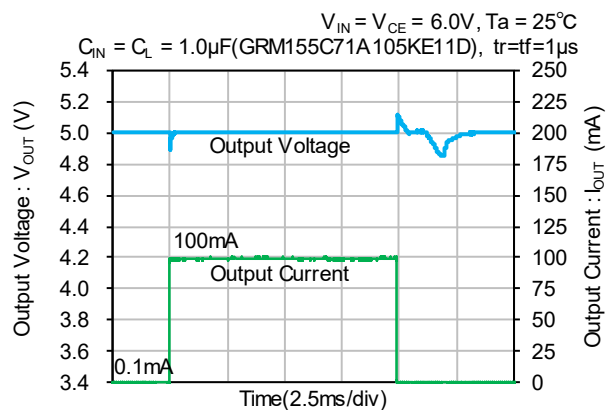
XC6241( $V_{OUT}=3.3V$ )



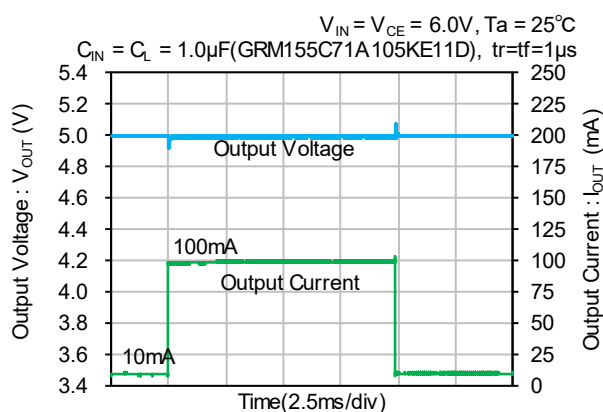
XC6241( $V_{OUT}=5.0V$ )



XC6241( $V_{OUT}=5.0V$ )

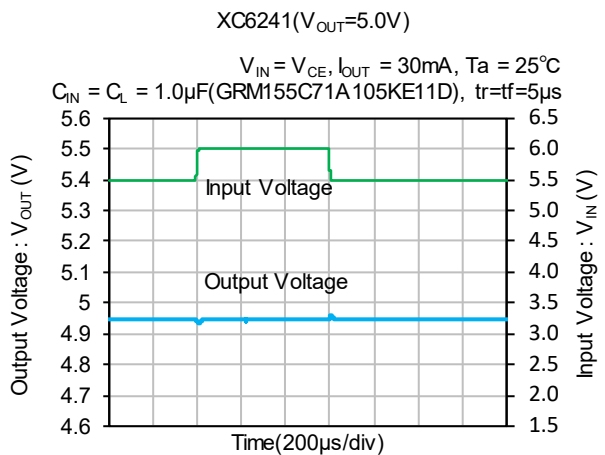
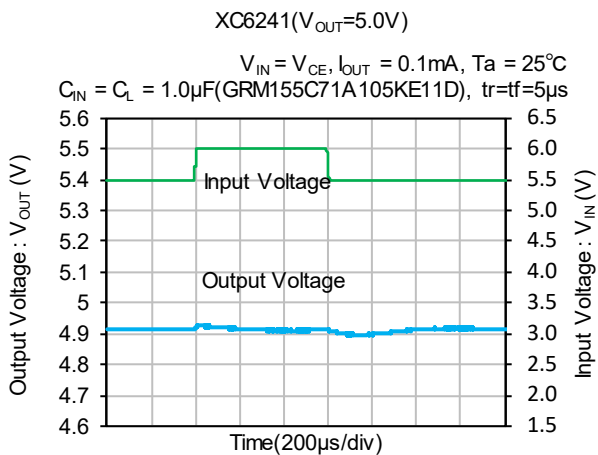
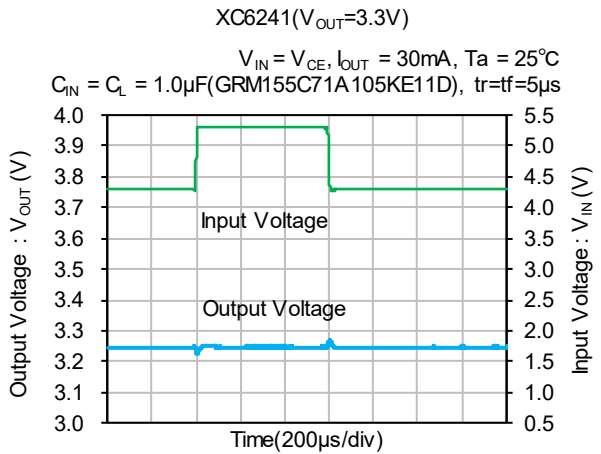
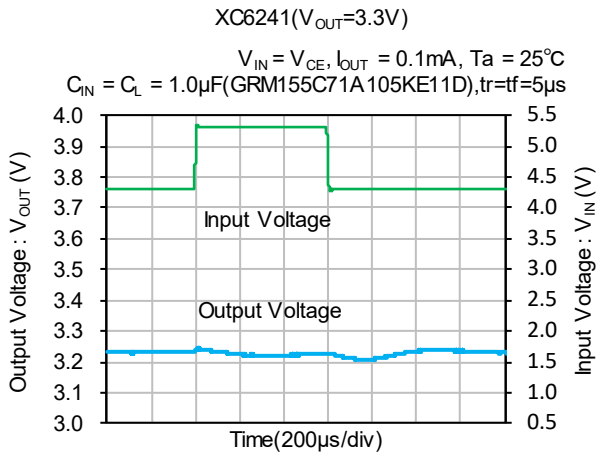
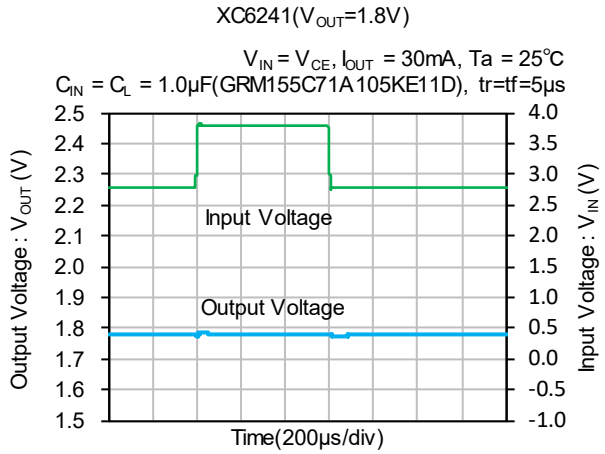
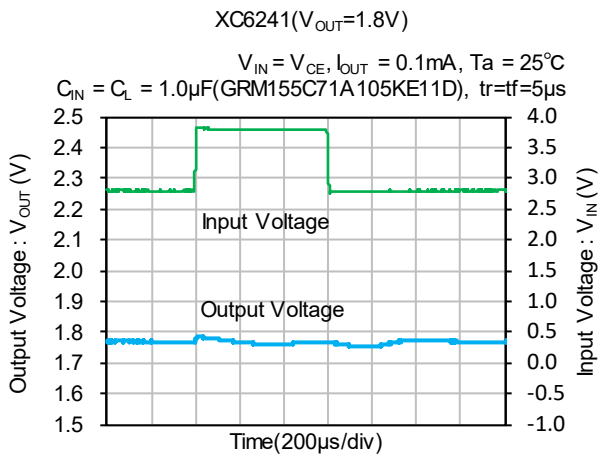


XC6241( $V_{OUT}=5.0V$ )



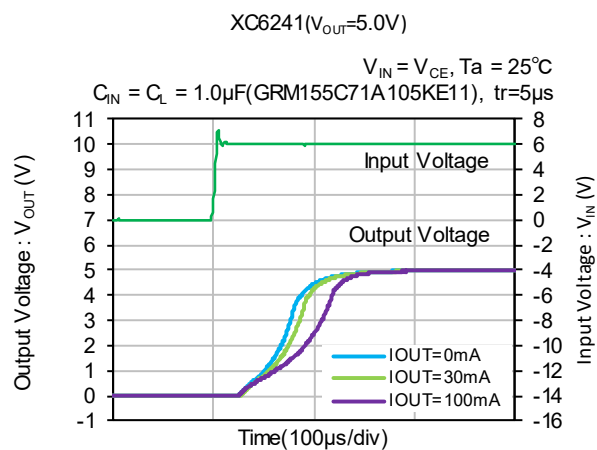
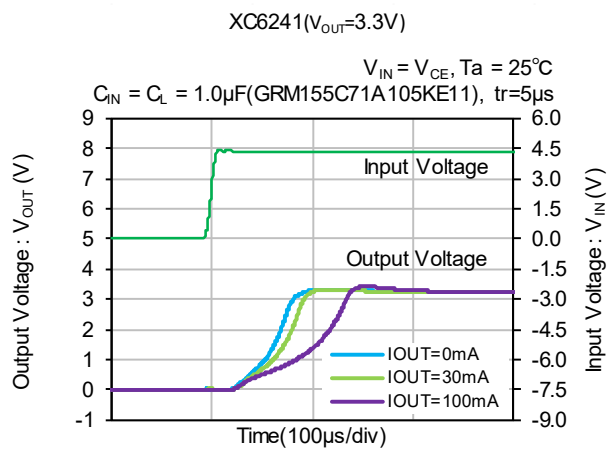
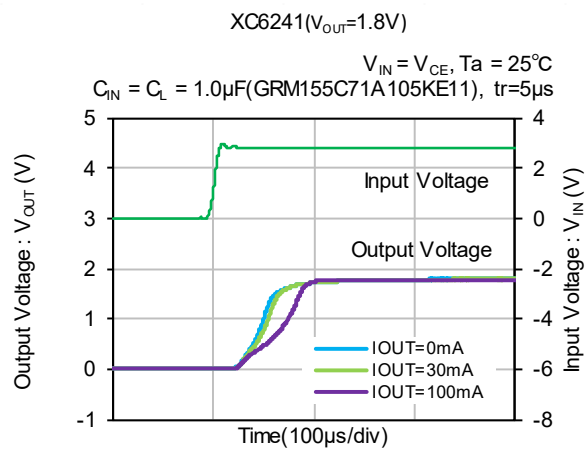
## TYPICAL PERFORMANCE CHARACTERISTICS (Continued)

### (9) Line Transient Response



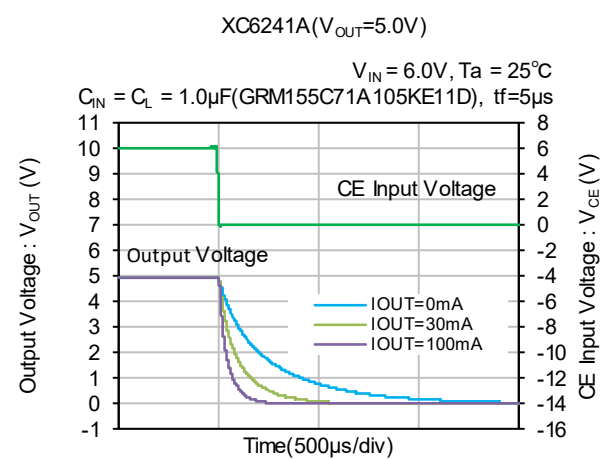
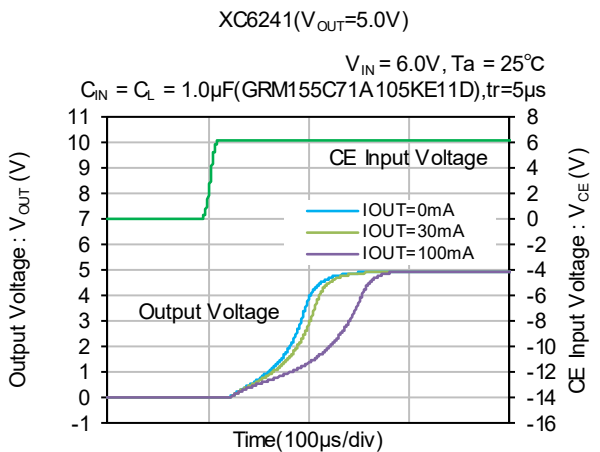
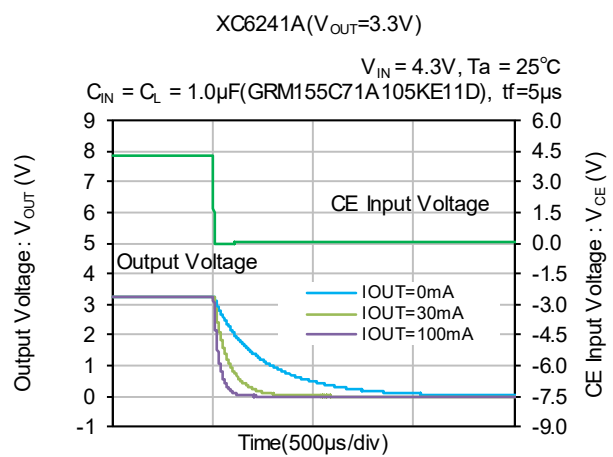
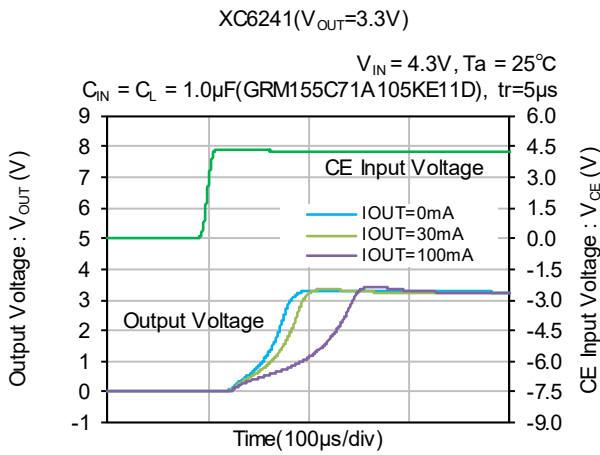
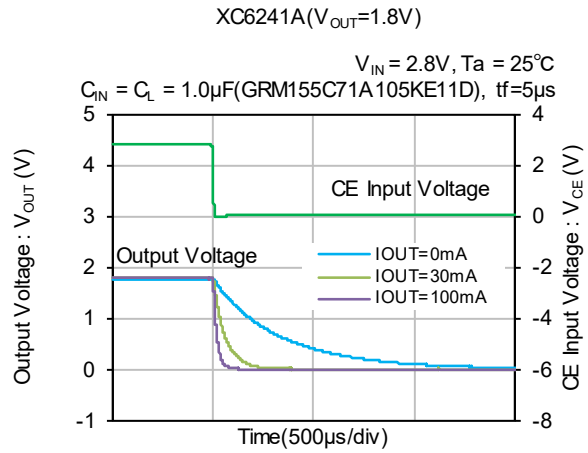
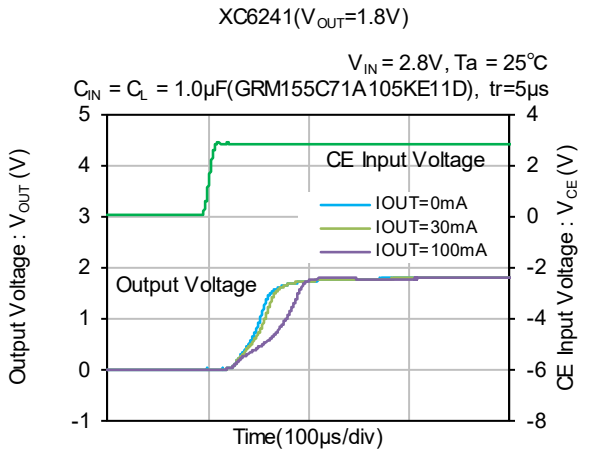
## ■ TYPICAL PERFORMANCE CHARACTERISTICS (Continued)

### (10) Turn-On Response



## TYPICAL PERFORMANCE CHARACTERISTICS (Continued)

### (11) CE Transient Response

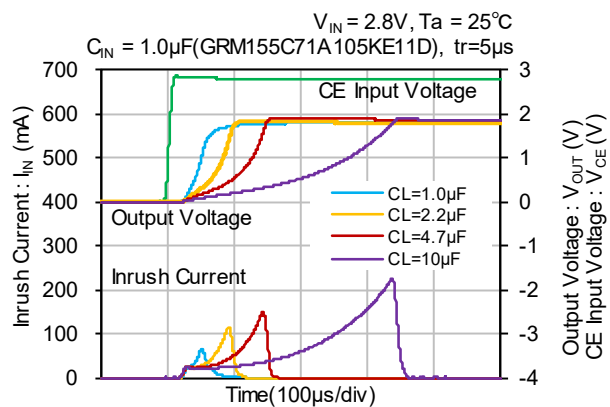




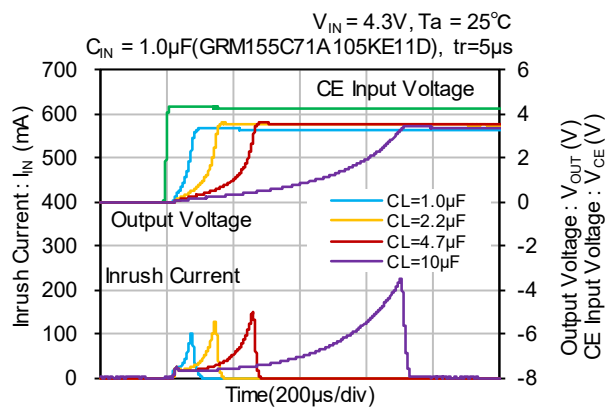
## ■ TYPICAL PERFORMANCE CHARACTERISTICS (Continued)

### (12) Inrush Current Response

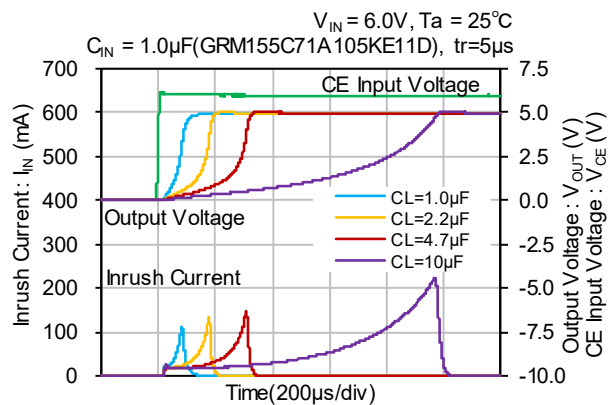
XC6241( $V_{OUT}=1.8V$ )



XC6241( $V_{OUT}=3.3V$ )

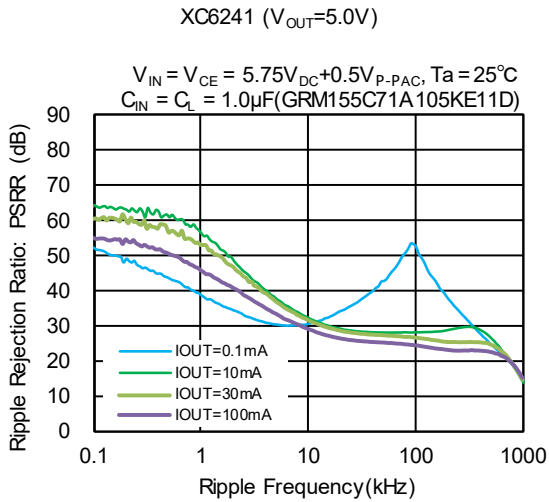
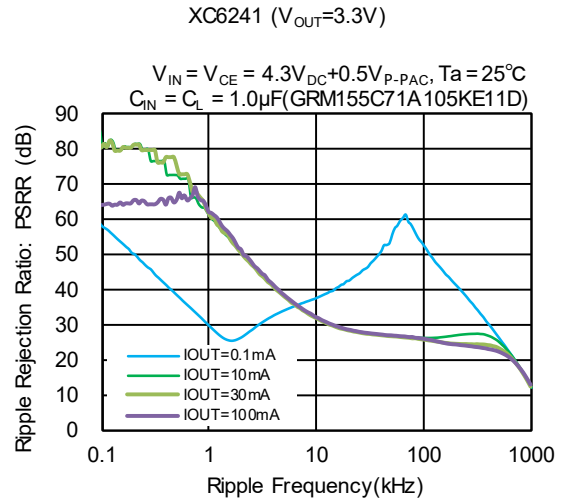
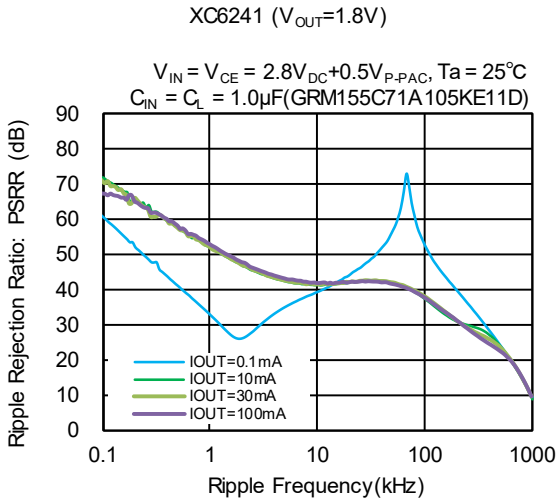


XC6241( $V_{OUT}=5.0V$ )



## TYPICAL PERFORMANCE CHARACTERISTICS (Continued)

### (13) Ripple Rejection: PSRR



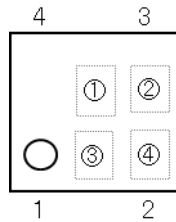
## ■ PACKAGING INFORMATION

For the latest package information go to, [www.torexsemi.com/technical-support/packages](http://www.torexsemi.com/technical-support/packages)

| PACKAGE   | OUTLINE / LAND PATTERN        | THERMAL CHARACTERISTICS                     |
|-----------|-------------------------------|---|
| SSOT-24   | <a href="#">SSOT-24 PKG</a>   | <a href="#">SSOT-24 Power Dissipation</a>   |
| USPQ-4B05 | <a href="#">USPQ-4B05 PKG</a> | <a href="#">USPQ-4B05 Power Dissipation</a> |

## MARKING RULE

●USPQ-4B05



① represents type and the second decimal place of the output voltage

| Type                                      | SYMBOL | Output Voltage Range(V) | Product Series |
|---|--------|-------------------------|----------------|
| With CE function and<br>CL Auto-Discharge | A      | 1.20~2.15               | XC6241A***9-G  |
|   | B      | 2.20~3.15               |                |
|   | C      | 3.20~4.15               |                |
|   | D      | 4.20~5.00               |                |
| With CE function                          | E      | 1.20~2.15               | XC6241B***9-G  |
|   | F      | 2.20~3.15               |                |
|   | H      | 3.20~4.15               |                |
|   | K      | 4.20~5.00               |                |

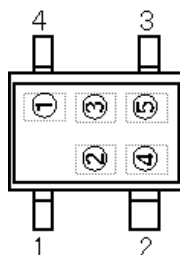
② represents output voltage

| SYMBOL | Output Voltage(V) |      |      |      | SYMBOL | Output Voltage(V) |      |      |      | SYMBOL | Output Voltage(V) |      |      |      |
|--------|-------------------|------|------|------|--------|-------------------|------|------|------|--------|-------------------|------|------|------|
| A      | 1.20              | 2.20 | 3.20 | 4.20 | K      | 1.55              | 2.55 | 3.55 | 4.55 | T      | 1.90              | 2.90 | 3.90 | 4.90 |
| B      | 1.25              | 2.25 | 3.25 | 4.25 | L      | 1.60              | 2.60 | 3.60 | 4.60 | U      | 1.95              | 2.95 | 3.95 | 4.95 |
| C      | 1.30              | 2.30 | 3.30 | 4.30 | M      | 1.65              | 2.65 | 3.65 | 4.65 | V      | 2.00              | 3.00 | 4.00 | 5.00 |
| D      | 1.35              | 2.35 | 3.35 | 4.35 | N      | 1.70              | 2.70 | 3.70 | 4.70 | X      | 2.05              | 3.05 | 4.05 | -    |
| E      | 1.40              | 2.40 | 3.40 | 4.40 | P      | 1.75              | 2.75 | 3.75 | 4.75 | Y      | 2.10              | 3.10 | 4.10 | -    |
| F      | 1.45              | 2.45 | 3.45 | 4.45 | R      | 1.80              | 2.80 | 3.80 | 4.80 | Z      | 2.15              | 3.15 | 4.15 | -    |
| H      | 1.50              | 2.50 | 3.50 | 4.50 | S      | 1.85              | 2.85 | 3.85 | 4.85 |        |                   |      |      |      |

③,④ represents production lot number.01~09, 0A~0Z, 11~9Z, A1~A9, AA~AZ, B1~ZZ in order.  
(G, I, J, O, Q, W excluded) \* No character inversion used.

## MARKING RULE

●SSOT-24



① represents type

| Type                                   | SYMBOL | Product Series |
|--|--------|----------------|
| With CE function and CL Auto-Discharge | A      | XC6241A***N-G  |
| With CE function                       | B      | XC6241B***N-G  |

② represents the second decimal place of the output voltage

| SYMBOL | Output Voltage Range(V) | Product Series                  |
|--------|-------------------------|---------------------------------|
| A      | 1.20~2.15               | XC6241*121NR-G ~ XC6241*21BNR-G |
| B      | 2.20~3.15               | XC6241*221NR-G ~ XC6241*31BNR-G |
| C      | 3.20~4.15               | XC6241*321NR-G ~ XC6241*41BNR-G |
| D      | 4.20~5.00               | XC6241*421NR-G ~ XC6241*501NR-G |

③ represents output voltage

| SYMBOL | Output Voltage(V) |      |      |      | SYMBOL | Output Voltage(V) |      |      |      | SYMBOL | Output Voltage(V) |      |      |      |
|--------|-------------------|------|------|------|--------|-------------------|------|------|------|--------|-------------------|------|------|------|
| A      | 1.20              | 2.20 | 3.20 | 4.20 | K      | 1.55              | 2.55 | 3.55 | 4.55 | T      | 1.90              | 2.90 | 3.90 | 4.90 |
| B      | 1.25              | 2.25 | 3.25 | 4.25 | L      | 1.60              | 2.60 | 3.60 | 4.60 | U      | 1.95              | 2.95 | 3.95 | 4.95 |
| C      | 1.30              | 2.30 | 3.30 | 4.30 | M      | 1.65              | 2.65 | 3.65 | 4.65 | V      | 2.00              | 3.00 | 4.00 | 5.00 |
| D      | 1.35              | 2.35 | 3.35 | 4.35 | N      | 1.70              | 2.70 | 3.70 | 4.70 | X      | 2.05              | 3.05 | 4.05 | -    |
| E      | 1.40              | 2.40 | 3.40 | 4.40 | P      | 1.75              | 2.75 | 3.75 | 4.75 | Y      | 2.10              | 3.10 | 4.10 | -    |
| F      | 1.45              | 2.45 | 3.45 | 4.45 | R      | 1.80              | 2.80 | 3.80 | 4.80 | Z      | 2.15              | 3.15 | 4.15 | -    |
| H      | 1.50              | 2.50 | 3.50 | 4.50 | S      | 1.85              | 2.85 | 3.85 | 4.85 |        |                   |      |      |      |

④,⑤ represents production lot number.01~09, 0A~0Z, 11~9Z, A1~A9, AA~AZ, B1~ZZ in order.  
(G, I, J, O, Q, W excluded) \* No character inversion used.