

## 200mA High Speed LDO Regulator, Output Capacitor-Less, Low Power Consumption

## ■ GENERAL DESCRIPTION

The XC6501 series is a high speed, low noise CMOS LDO regulator that can provide stable output voltages even without a load capacitor  $C_L$ . This is possible because phase compensation is carried out internally unlike other LDOs where it is done externally. The series consists of a reference voltage source, driver transistor, error amplifier, current limit circuit, and phase compensation circuit.

The CE function enables the circuit to be put into stand-by mode by inputting a low level signal to the CE pin thereby reducing current consumption from an already low  $13\ \mu\text{A}$  (in operation) to less than  $0.1\ \mu\text{A}$ . In the stand-by mode, if a  $C_L$  capacitor is used, the electric charge stored at  $C_L$  can be discharged via the internal auto-discharge switch and as a result, the  $V_{\text{OUT}}$  pin quickly returns to the  $V_{\text{SS}}$  level.

The current limit fold-back circuit operates as a short circuit protection and a current limiter function for the output pin.

## ■ APPLICATIONS

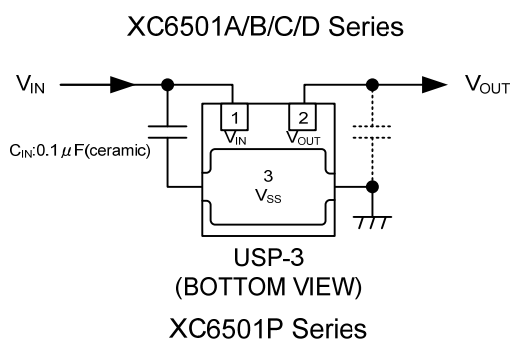
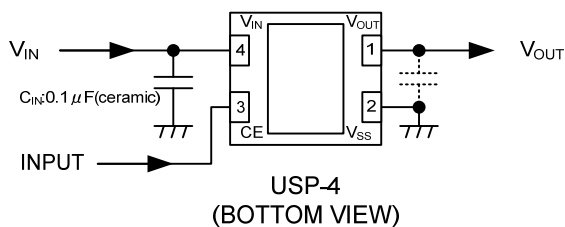
- Smart phones / Mobile phones
- Portable games
- Modules (wireless, cameras, etc.)
- Bluetooth
- Digital-TV tuners

## ■ FEATURES

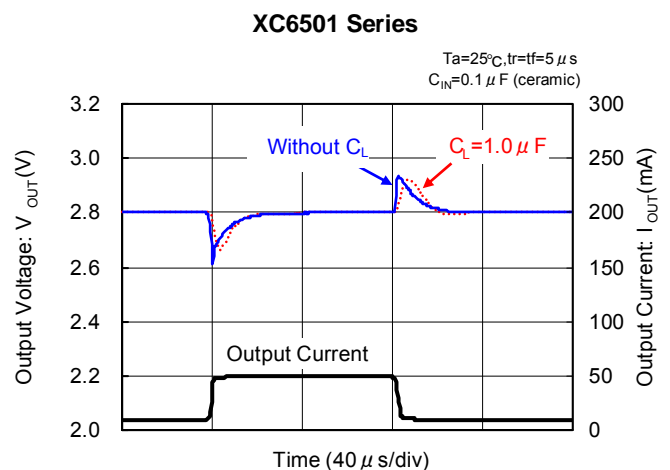
<b>Maximum Output Current</b>	: 200mA
<b>Operating Voltage Range</b>	: 1.4~6.0V
<b>Output Voltage Range</b>	: 2.0~5.0V ( $\pm 1\%$ ) <sup>(*)</sup> : 1.2~1.95V ( $\pm 0.02\text{V}$ ) <sup>(*)</sup>
<b>Dropout Voltage</b>	: 150mV@ $I_{\text{OUT}}=100\text{mA}$ , $V_{\text{OUT}}=2.8\text{V}$
<b>Low Power Supply</b>	: $13\ \mu\text{A}$ @ $V_{\text{OUT}}=2.8\text{V}$
<b>Stand-by Current</b>	: Less than $0.1\ \mu\text{A}$
<b>Ripple Rejection</b>	: 50dB@ $f=1\text{kHz}$ , $V_{\text{OUT}}=2.8\text{V}$
<b>Protection Circuits</b>	: Current limit (300mA, TYP.) Short circuit protection
<b>Output capacitor is not required</b>	: Internal phase compensation
<b><math>C_L</math> High Speed Auto Discharge</b>	
<b>Operating Ambient Temperature</b>	: $-40^\circ\text{C}\sim+85^\circ\text{C}$
<b>Packages</b>	: SOT-25, SSOT-24, USP-4, USPN-4, USP-3, WLP-4-01
<b>Environmentally Friendly</b>	: EU RoHS Compliant, Pb Free

(\*)1) WLP-4-01 : 2.0~5.0V( $\pm 2\%$ ), 1.2~1.95V( $\pm 0.03\text{V}$ )

## ■ TYPICAL APPLICATION CIRCUIT



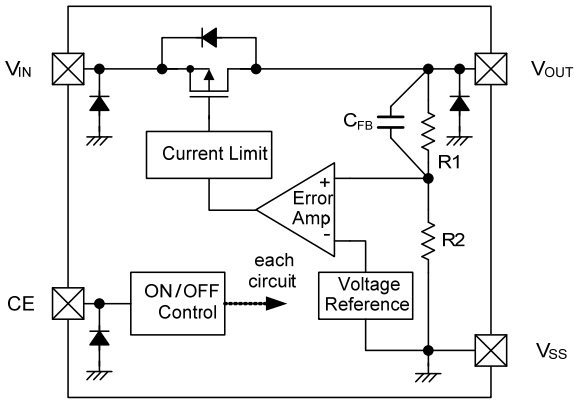
## ■ TYPICAL PERFORMANCE CHARACTERISTICS



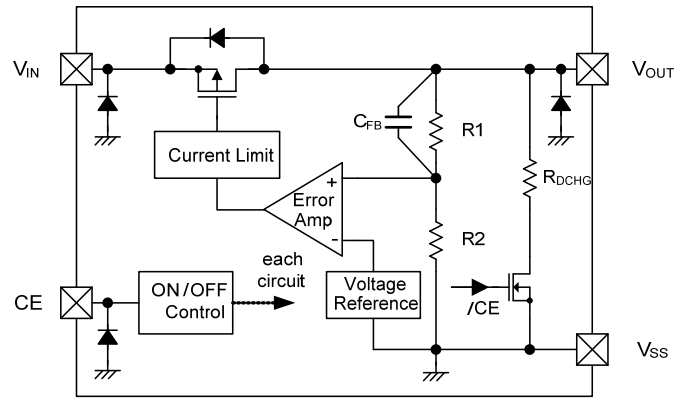
# XC6501 Series

## BLOCK DIAGRAMS

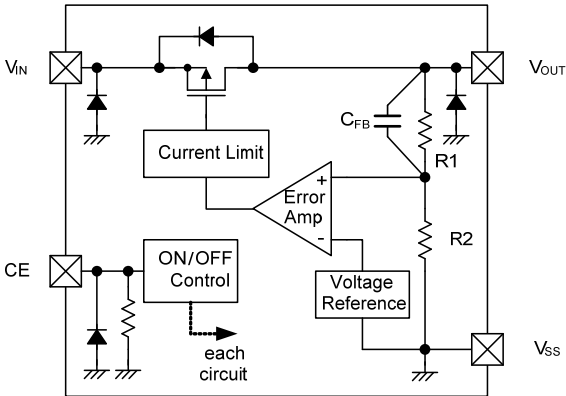
1) XC6501 Series A type



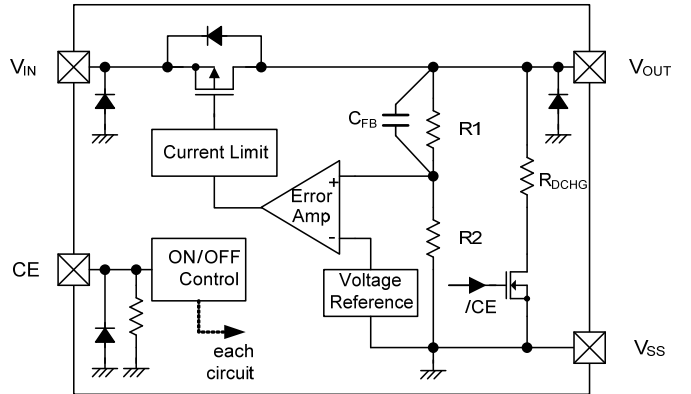
2) XC6501 Series B type



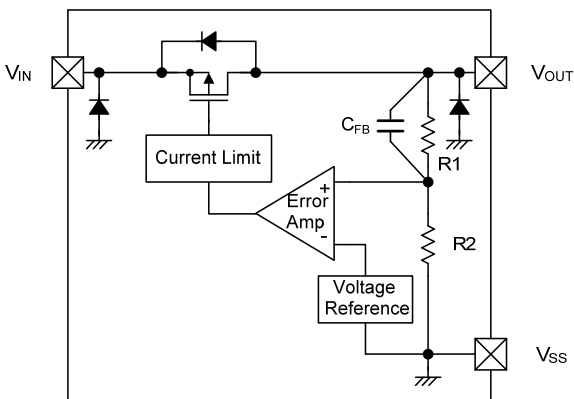
3) XC6501 Series C type



4) XC6501 Series D type



5) XC6501 Series P type



\*Diodes inside the circuit are an ESD protection diode and a parasitic diode.

## ■ PRODUCT CLASSIFICATION

● Ordering Information

XC6501①②③④⑤⑥-⑦<sup>(\*)</sup>

DESIGNATOR	ITEM	SYMBOL	DESCRIPTION
①	Regulator Type	A	CE High Active, Without CE Pull-down, Without C <sub>L</sub> discharge
		B	CE High Active, Without CE Pull-down, With C <sub>L</sub> discharge
		C	CE High Active, With CE Pull-down, Without C <sub>L</sub> discharge
		D	CE High Active, With CE Pull-down, With C <sub>L</sub> discharge
		P	3 pin, without CE pin (USP-3)
②③	Output Voltage	12~50	ex.)28V → ②=2, ③=8
④	Output Voltage Type [Accuracy]	1 <sup>(*)</sup>	0.1V increments ex.)1.80V → ②=1, ③=8, ④=1 [±0.02V @ 1.2V~1.9V, ±1% @ 2.0V~5.0V]
		A <sup>(*)</sup>	0.05V increments ex.)1.85V → ②=1, ③=8, ④=A [±0.02V @ 1.25V~1.95V, ±1% @ 2.05V~4.95V]
		2 <sup>(*)</sup>	0.1V increments ex.)1.80V → ②=1, ③=8, ④=2 [±0.03V @ 1.2V~1.4V, ±2% @ 1.5V~5.0V]
		B <sup>(*)</sup>	0.05V increments ex.)1.85V → ②=1, ③=8, ④=B [±0.03V @ 1.25V~1.45V, ±2% @ 1.55V~4.95V]
⑤⑥-⑦ <sup>(*)</sup>	Packages (Order Unit)	HR	USP-3 <sup>(*)</sup> (3,000pcs/Reel)
		HR-G	USP-3 <sup>(*)</sup> (3,000pcs/Reel)
		GR	USP-4 (3,000pcs/Reel)
		GR-G	USP-4 (3,000pcs/Reel)
		NR	SSOT-24 (3,000pcs/Reel)
		NR-G	SSOT-24 (3,000pcs/Reel)
		MR	SOT-25 (3,000pcs/Reel)
		MR-G	SOT-25 (3,000pcs/Reel)
		7R-G	USPN-4 (5,000pcs/Reel)
0R-G	WLP-4-01 (5,000pcs/Reel)		

<sup>(\*)</sup> The "-G" suffix denotes Halogen and Antimony free as well as being fully EU RoHS compliant.

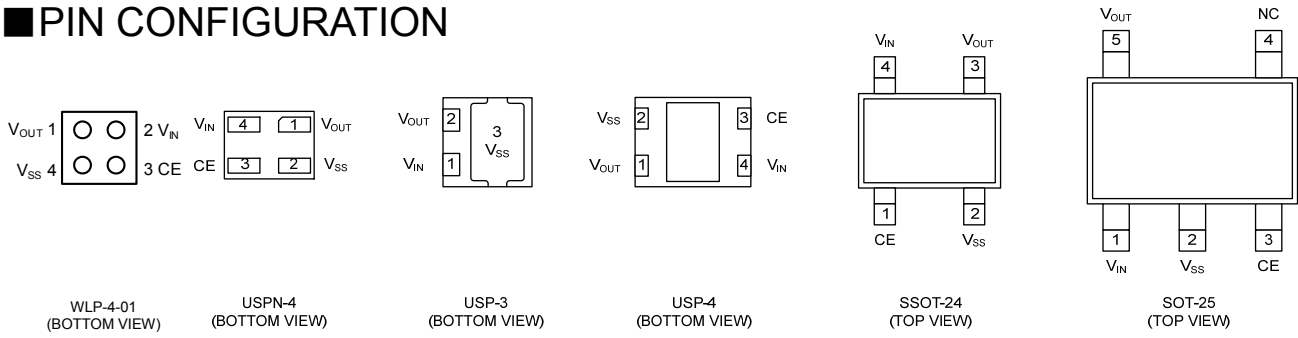
<sup>(\*)</sup> USP-3 is available only for XC6501P series.

<sup>(\*)</sup> WLP-4-01 only.

<sup>(\*)</sup> They are not used in the WLP-4-01.

# XC6501 Series

## PIN CONFIGURATION



\*The heat dissipation pad of the USP-4 package is reference to solder as the reference mount pattern and metal mask pattern for mounting strength. The mount pattern should be electrically opened or connected to the V<sub>SS</sub> (No.2) pin.

## PIN ASSIGNMENT

PIN NUMBER						PIN NAME	FUNCTIONS
WLP-4-01	USP-3	USP-4	SSOT-24	SOT-25	USPN-4		
2	1	4	4	1	4	V <sub>IN</sub>	Power Supply Input
1	2	1	3	5	1	V <sub>OUT</sub>	Output
4	3	2	2	2	2	V <sub>SS</sub>	Ground
3	-	3	1	3	3	CE	ON/OFF Control
-	-	-	-	4	-	NC	No Connection

## FUNCTION CHART

1)XC6501 series A/B type

PIN NAME	SIGNAL	STATUS
CE	L	OFF
	H	ON
	OPEN	OFF

2)XC6501 series C/D type

PIN NAME	SIGNAL	STATUS
CE	L	OFF
	H	ON
	OPEN	Undefined

## ABSOLUTE MAXIMUM RATINGS

PARAMETER		SYMBOL	RATINGS	UNITS
Input Voltage		V <sub>IN</sub>	-0.3~+6.5	V
Output Current		I <sub>OUT</sub>	400 <sup>(*1)</sup>	mA
Output Voltage		V <sub>OUT</sub>	-0.3~V <sub>IN</sub> +0.3 or +6.5 <sup>(*2)</sup>	V
CE Input Voltage		V <sub>CE</sub>	-0.3~+6.5	V
Power Dissipation	USPN-4	Pd	100	mW
			600 (PCB mounted) <sup>(*3)</sup>	
	USP-3		120	
			1000 (PCB mounted) <sup>(*3)</sup>	
	USP-4		120	
			1000 (PCB mounted) <sup>(*3)</sup>	
	SSOT-24		150	
			500 (PCB mounted) <sup>(*3)</sup>	
SOT-25	250			
	600 (PCB mounted) <sup>(*3)</sup>			
WLP-4-01	660 (PCB mounted) <sup>(*3)</sup>			
	Operating Ambient Temperature		Topr	-40~+85
Storage Temperature		Tstg	-55~+125	°C

\* All voltages are described based on the V<sub>SS</sub> pin.

(\*1) I<sub>OUT</sub> ≤ Pd / (V<sub>IN</sub> - V<sub>OUT</sub>)

(\*2) The maximum value should be V<sub>IN</sub>+0.3 or +6.5 in the lowest.

(\*3) The power dissipation figure shown is PCB mounted and is for reference only.

Please see the power dissipation page for the mounting condition.

## ■ ELECTRICAL CHARACTERISTICS

● XC6501 Series A/B/C/D Type

Ta=25°C

PARAMETER	SYMBOL	CONDITIONS	MIN.	TYP.	MAX.	UNITS	CIRCUIT	
Output Voltage	V <sub>OUT(E)</sub> <sup>(*)1</sup>	V <sub>OUT(T)</sub> <sup>(*)2</sup> ≤ 1.95V V <sub>CE</sub> =V <sub>IN</sub> , I <sub>OUT</sub> =10mA	-0.02 <sup>(*)3</sup> -0.03 <sup>(*)3</sup>	V <sub>OUT(T)</sub>	+0.02 <sup>(*)3</sup> +0.03 <sup>(*)3</sup>	V	①	
		V <sub>OUT(T)</sub> ≥ 2.0V V <sub>CE</sub> =V <sub>IN</sub> , I <sub>OUT</sub> =10mA	×0.99 <sup>(*)3</sup> ×0.98 <sup>(*)3</sup>		×1.01 <sup>(*)3</sup> ×1.02 <sup>(*)3</sup>			
Maximum Output Current	I <sub>OUTMAX</sub>	V <sub>CE</sub> =V <sub>IN</sub>	200	-	-	mA	①	
Load Regulation	ΔV <sub>OUT</sub>	V <sub>CE</sub> =V <sub>IN</sub> , 0.1mA ≤ I <sub>OUT</sub> ≤ 100mA	-	15	45	mV	①	
Dropout Voltage <sup>(*)4</sup>	V <sub>dif</sub>	V <sub>CE</sub> =V <sub>IN</sub> , I <sub>OUT</sub> =100mA	-	E-1 <sup>(*)5</sup>		mV	①	
Supply Current	I <sub>SS</sub>	V <sub>IN</sub> =V <sub>CE</sub> =6.0V, I <sub>OUT</sub> =0mA	E-2 <sup>(*)6</sup>			μA	②	
Stand-by Current	I <sub>STBY</sub>	V <sub>IN</sub> =6.0V, V <sub>CE</sub> =V <sub>SS</sub>	-	0.01	0.1	μA	②	
Line Regulation	ΔV <sub>OUT</sub> / (ΔV <sub>IN</sub> ·V <sub>OUT</sub> )	V <sub>OUT(T)</sub> +0.5V ≤ V <sub>IN</sub> ≤ 6.0V, V <sub>CE</sub> =V <sub>IN</sub> , I <sub>OUT</sub> =30mA	-	0.10	0.20	%/V	①	
Input Voltage	V <sub>IN</sub>		1.4	-	6.0	V	①	
Output Voltage Temperature Characteristics	ΔV <sub>OUT</sub> / (ΔT <sub>opr</sub> ·V <sub>OUT</sub> )	V <sub>CE</sub> =V <sub>IN</sub> , I <sub>OUT</sub> =30mA -40°C ≤ T <sub>opr</sub> ≤ 85°C	-	±100	-	ppm/°C	①	
Power Supply Rejection Ratio	PSRR	V <sub>OUT(T)</sub> ≤ 4.75V V <sub>IN</sub> =[V <sub>OUT(T)</sub> +1.0]V <sub>DC</sub> +0.5V <sub>p-pAC</sub> V <sub>CE</sub> =V <sub>IN</sub> , I <sub>OUT</sub> =30mA, f=1kHz	-	50	-	dB	③	
		V <sub>OUT(T)</sub> ≥ 4.80V V <sub>IN</sub> =5.75V <sub>DC</sub> +0.5V <sub>p-pAC</sub> V <sub>CE</sub> =V <sub>IN</sub> , I <sub>OUT</sub> =30mA, f=1kHz						
Current Limit	I <sub>LIM</sub>	V <sub>CE</sub> =V <sub>IN</sub>	210	300	-	mA	①	
Short - Circuit Current	I <sub>SHORT</sub>	V <sub>CE</sub> =V <sub>IN</sub> , V <sub>OUT</sub> is short-circuited at the V <sub>SS</sub> level	-	25	-	mA	①	
CE High Level Voltage	V <sub>CEH</sub>		1.0	-	6.0	V	①	
CE Low Level Voltage	V <sub>CEL</sub>		V <sub>SS</sub>	-	0.25	V	①	
CE High Level Current	I <sub>CEH</sub>	V <sub>CE</sub> =V <sub>IN</sub> =6.0V	XC6501A/B	-0.1	-	0.1	μA	①
			XC6501C/D	3.5	6.0	10		
CE Low Level Current	I <sub>CEL</sub>	V <sub>CE</sub> =V <sub>IN</sub>	-0.1	-	0.1	μA	①	
Auto-Discharge Resistance <sup>(*)7</sup>	R <sub>DCHG</sub>	V <sub>IN</sub> =6.0V, V <sub>OUT</sub> =1.2V, V <sub>CE</sub> =V <sub>SS</sub>	-	250	300	Ω	①	
		V <sub>IN</sub> =6.0V, V <sub>OUT</sub> =5.0V, V <sub>CE</sub> =V <sub>SS</sub>	-	400	480	Ω		

Notes:

Unless otherwise stated regarding input voltage conditions, V<sub>IN</sub>=V<sub>OUT(T)</sub><sup>(\*)2</sup>+1.0V.

\*1: V<sub>OUT(E)</sub>: An actual output voltage when an amply stabilized(V<sub>OUT(T)</sub>+1.0V) is supplied with constant I<sub>OUT</sub>.

\*2: V<sub>OUT(T)</sub>: Nominal output voltage value

\*3: MIN and MAX values of V<sub>OUT(E)</sub> are shown in the voltage table "E-0".

\*4: V<sub>dif</sub>={V<sub>IN1</sub> - V<sub>OUT1</sub>}

V<sub>IN1</sub>: The input voltage when V<sub>OUT1</sub> appears as input voltage is gradually decreased.

V<sub>OUT1</sub>: A voltage equal to 98% of the output voltage when an amply stabilized I<sub>OUT</sub> (V<sub>OUT(T)</sub>+1.0V) is input.

\*5: Please refer to page E-1.

\*6: Please refer to page E-2.

\*7: This function is built in the XC6501B/D series only.

The XC6501A/C series discharges by only R1+ R2 resistors as shown in the block diagrams.

## ELECTRICAL CHARACTERISTICS (Continued)

### ●XC6501 Series P Type

Ta=25°C

PARAMETER	SYMBOL	CONDITIONS	MIN.	TYP.	MAX.	UNITS	CIRCUIT
Output Voltage	$V_{OUT(E)}^{(*)1}$	$V_{OUT(T)}^{(*)2} \leq 1.95V$ $I_{OUT}=10mA$	-0.02 <sup>(*)3</sup>	$V_{OUT(T)}$	+0.02 <sup>(*)3</sup>	V	①
		$V_{OUT(T)} \geq 2.0V$ $I_{OUT}=10mA$	$\times 0.99^{(*)3}$		$\times 1.01^{(*)3}$		
Maximum Output Current	$I_{OUTMAX}$		200	-	-	mA	①
Output Voltage	$\Delta V_{OUT}$	$0.1mA \leq I_{OUT} \leq 100mA$	-	15	45	mV	①
Dropout Voltage <sup>(*)4</sup>	$V_{dif}$	$I_{OUT}=100mA$	-	E-1 <sup>(*)5</sup>		mV	①
Supply Current	$I_{SS}$	$V_{IN}=6.0V, I_{OUT}=0mA$	E-2 <sup>(*)6</sup>			$\mu A$	②
Line Regulation	$\frac{\Delta V_{OUT}}{(\Delta V_{IN} \cdot V_{OUT})}$	$V_{OUT(T)}+0.5V \leq V_{IN} \leq 6.0V,$ $I_{OUT}=30mA$	-	0.10	0.20	%/V	①
Input Voltage	$V_{IN}$		1.4	-	6.0	V	①
Output Voltage Temperature Characteristics	$\frac{\Delta V_{OUT}}{(\Delta T_{opr} \cdot V_{OUT})}$	$I_{OUT}=30mA$ $-40^{\circ}C \leq T_{opr} \leq 85^{\circ}C$	-	$\pm 100$	-	ppm	①
Power Supply Rejection Ratio	PSRR	$V_{OUT(T)} \leq 4.75V$ $V_{IN} = \{V_{OUT(T)} + 1.0\} V_{DC} + 0.5V_{p-pAC}$ $I_{OUT}=30mA, f=1kHz$	-	50	-	dB	③
		$V_{OUT(T)} \geq 4.80V$ $V_{IN} = 5.75V_{DC} + 0.5V_{p-pAC}$ $I_{OUT}=30mA, f=1kHz$					
Current Limit	$I_{LIM}$		210	300	-	mA	①
Short Circuit Current	$I_{SHORT}$	$V_{OUT}$ is short-circuited at the $V_{SS}$ level	-	25	-	mA	①

#### Notes:

Unless otherwise stated regarding input voltage conditions,  $V_{IN} = V_{OUT(T)}^{(*)2} + 1.0V$ .

\*1:  $V_{OUT(E)}$ : An actual output voltage when an amply stabilized ( $V_{OUT(T)} + 1.0V$ ) is supplied with constant  $I_{OUT}$ .

\*2:  $V_{OUT(T)}$ : Nominal output voltage value

\*3: MIN and MAX values of  $V_{OUT(E)}$  are shown in the voltage table "E-0".

\*4:  $V_{dif} = \{V_{IN1} - V_{OUT1}\}$

$V_{IN1}$ : The input voltage when  $V_{OUT1}$  appears as input voltage is gradually decreased.

$V_{OUT1}$ : A voltage equal to 98% of the output voltage when an amply stabilized  $I_{OUT}$  ( $V_{OUT(T)} + 1.0V$ ) is input.

\*5: Please refer to page E-1.

\*6: Please refer to page E-2.

## ■ ELECTRICAL CHARACTERISTICS (Continued)

### ● Voltage Chart

NOMINAL VOLTAGE (V)	E-0				E-1		E-2					
	OUTPUT VOLTAGE (Except WLP-4-01) (V)		OUTPUT VOLTAGE (WLP-4-01) (V)		DROPOUT VOLTAGE (mV)		SUPPLY CURRENT (μA)					
	V <sub>OUT(E)</sub>		V <sub>OUT(E)</sub>		V <sub>dif</sub>		I <sub>SS</sub>					
V <sub>OUT(T)</sub>	MIN.	MAX.	MIN.	MAX.	TYP.	MAX.	MIN.	TYP.	MAX.			
1.20	1.1800	1.2200	1.1700	1.2300	440	690	5					
1.25	1.2300	1.2700	1.2200	1.2800								
1.30	1.2800	1.3200	1.2700	1.3300								
1.35	1.3300	1.3700	1.3200	1.3800								
1.40	1.3800	1.4200	1.3700	1.4300	300	610		5	11	17		
1.45	1.4300	1.4700	1.4200	1.4800								
1.50	1.4800	1.5200	1.4700	1.5300								
1.55	1.5300	1.5700	1.5190	1.5810	260	530			5			
1.60	1.5800	1.6200	1.5680	1.6320								
1.65	1.6300	1.6700	1.6170	1.6830								
1.70	1.6800	1.7200	1.6660	1.7340								
1.75	1.7300	1.7700	1.7150	1.7850	230	470				5		
1.80	1.7800	1.8200	1.7640	1.8360								
1.85	1.8300	1.8700	1.8130	1.8870								
1.90	1.8800	1.9200	1.8620	1.9380								
1.95	1.9300	1.9700	1.9110	1.9890	200	430	5					18
2.00	1.9800	2.0200	1.9600	2.0400								
2.05	2.0295	2.0705	2.0090	2.0910								
2.10	2.0790	2.1210	2.0580	2.1420								
2.15	2.1285	2.1715	2.1070	2.1930	190	410		6				
2.20	2.1780	2.2220	2.1560	2.2440								
2.25	2.2275	2.2725	2.2050	2.2950								
2.30	2.2770	2.3230	2.2540	2.3460								
2.35	2.3265	2.3735	2.3030	2.3970	210	380			6			19
2.40	2.3760	2.4240	2.3520	2.4480								
2.45	2.4255	2.4745	2.4010	2.4990								
2.50	2.4750	2.5250	2.4500	2.5500								
2.55	2.5245	2.5755	2.4990	2.6010	150	360				6		
2.60	2.5740	2.6260	2.5480	2.6520								
2.65	2.6235	2.6765	2.5970	2.7030								
2.70	2.6730	2.7270	2.6460	2.7540								
2.75	2.7225	2.7775	2.6950	2.8050	150	360	6					
2.80	2.7720	2.8280	2.7440	2.8560								
2.85	2.8215	2.8785	2.7930	2.9070								
2.90	2.8710	2.9290	2.8420	2.9580								
2.95	2.9205	2.9795	2.8910	3.0090	150	360		6				20
3.00	2.9700	3.0300	2.9400	3.0600								
3.05	3.0195	3.0805	2.9890	3.1110								
3.05	3.0195	3.0805	2.9890	3.1110	7	14						

# XC6501 Series

## ■ ELECTRICAL CHARACTERISTICS (Continued)

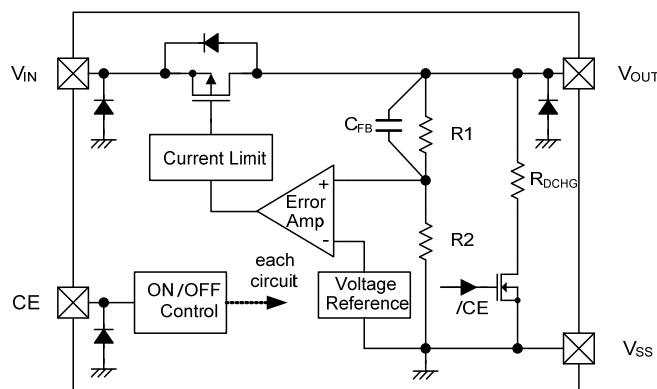
● Voltage Table (continued)

NOMINAL VOLTAGE (V)	E-0				E-1		E-2		
	OUTPUT VOLTAGE (Except WLP-4-01) (V)		OUTPUT VOLTAGE (WLP-4-01) (V)		DROPOUT VOLTAGE (mV)		SUPPLY CURRENT ( $\mu$ A)		
	$V_{OUT(E)}$		$V_{OUT(E)}$		$V_{dif}$		$I_{SS}$		
$V_{OUT(T)}$	MIN.	MAX.	MIN.	MAX.	TYP.	MAX.	MIN.	TYP.	MAX.
3.10	3.0690	3.1310	3.0380	3.1620	150	360	7	14	21
3.15	3.1190	3.1820	3.0870	3.2130					
3.20	3.1680	3.2320	3.1360	3.2640	140	350			
3.25	3.2175	3.2825	3.1850	3.3150					
3.30	3.2670	3.3330	3.2340	3.3660					
3.35	3.3165	3.3835	3.2830	3.4170					
3.40	3.3660	3.4340	3.3320	3.4680					
3.45	3.4155	3.4845	3.3810	3.5190					
3.50	3.4650	3.5350	3.4300	3.5700					
3.55	3.5145	3.5855	3.4790	3.6210					
3.60	3.5640	3.6360	3.5280	3.6720	130	340			
3.65	3.6135	3.6865	3.5770	3.7230					
3.70	3.6630	3.7370	3.6260	3.7740					
3.75	3.7125	3.7875	3.6750	3.8250					
3.80	3.7620	3.8380	3.7240	3.8760					
3.85	3.8115	3.8885	3.7730	3.9270					
3.90	3.8610	3.9390	3.8220	3.9780					
3.95	3.9105	3.9895	3.8710	4.0290					
4.00	3.9600	4.0400	3.9200	4.0800					
4.05	4.0095	4.0905	3.9690	4.1310					
4.10	4.0590	4.1410	4.0180	4.1820	120	330			
4.15	4.1085	4.1915	4.0670	4.2330					
4.20	4.1580	4.2420	4.1160	4.2840					
4.25	4.2075	4.2925	4.1650	4.3350					
4.30	4.2570	4.3430	4.2140	4.3860					
4.35	4.3065	4.3935	4.2630	4.4370					
4.40	4.3560	4.4440	4.3120	4.4880					
4.45	4.4055	4.4945	4.3610	4.5390					
4.50	4.4550	4.5450	4.4100	4.5900					
4.55	4.5045	4.5955	4.4590	4.6410					
4.60	4.5540	4.6460	4.5080	4.6920	8	16			
4.65	4.6035	4.6965	4.5570	4.7430					
4.70	4.6530	4.7470	4.6060	4.7940					
4.75	4.7025	4.7975	4.6550	4.8450					
4.80	4.7520	4.8480	4.7040	4.8960					
4.85	4.8015	4.8985	4.7530	4.9470					
4.90	4.8510	4.9490	4.8020	4.9980					
4.95	4.9005	4.9995	4.8510	5.0490					
5.00	4.9500	5.0500	4.9000	5.1000					
									23



## ■ OPERATIONAL EXPLANATION

The voltage divided by resistors R1 & R2 is compared with the internal reference voltage by the error amplifier. The P-channel MOSFET which is connected to the V<sub>OUT</sub> pin is then driven by the subsequent output signal. The output voltage at the V<sub>OUT</sub> pin is controlled & stabilized by a system of negative feedback. The current limit circuit and short protect circuit operate in relation to the level of output current. Further, the IC's internal circuitry can be shutdown via the CE pin's signal.



XC6501 Series B Type

### <C<sub>L</sub> High Speed Auto-Discharge Function>

The XC6501B/D series can discharge the electric charge in the output capacitor C<sub>L</sub>, when a low signal to the CE pin, which enables a whole IC circuit turn off, is inputted via the N-channel transistor located between the V<sub>OUT</sub> pin and the V<sub>SS</sub> pin as shown in the BLOCK DIAGRAM. The C<sub>L</sub> auto-discharge resistance value is set at 400Ω (V<sub>OUT</sub>=5.0V @ V<sub>IN</sub>=6.0V at typical). The discharge time of the output capacitor C<sub>L</sub> is set by the C<sub>L</sub> auto-discharge resistance R and the output capacitor C<sub>L</sub>. By setting time constant of a C<sub>L</sub> auto-discharge resistance value R<sub>DCHG</sub> and an output capacitor value C<sub>L</sub> as τ (τ=C x R<sub>DCHG</sub>), the output voltage after discharge via the N-channel transistor is calculated by the following formulas.

$$V = V_{OUT(E)} \times e^{-t/\tau}$$

or an expanded formula is

$$t = \tau \ln(V_{OUT(E)}/V)$$

V : Output voltage after discharge

V<sub>OUT(E)</sub> : Output voltage

t : Discharge time

$\tau$  : R<sub>DCHG</sub> × C<sub>L</sub>

R<sub>DCHG</sub> : C<sub>L</sub> auto-discharge resistance

C<sub>L</sub> : Output capacitor

### <Current Limiter, Short-Circuit Protection>

The XC6501 series' fold-back circuit operates as an output current limiter and a short protection of the output pin. When the load current reaches the current limit level, the fixed current limiter circuit operates and output voltage drops. When the output voltage is shorted to the V<sub>SS</sub>, its current flow reached and minimized to about 25mA.

### <CE Pin>

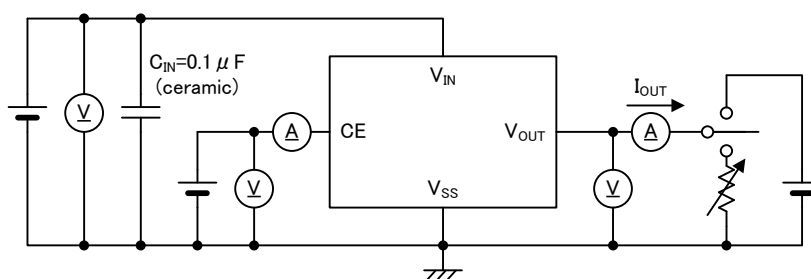
The IC's internal circuitry can be shutdown via the signal from the CE pin with the XC6501 series. In shutdown mode output at the V<sub>OUT</sub> pin will be pulled down to the V<sub>SS</sub> level via R1 & R2. However, as for the XC6501B/D series, the C<sub>L</sub> auto-discharge resistor is connected in parallel to R1 and R2 while the power supply is applied to the V<sub>IN</sub> pin. Therefore, time until the V<sub>OUT</sub> pin reaches the V<sub>SS</sub> level becomes short. The output voltage becomes unstable, when the CE pin is open. If this IC is used with the correct output voltage for the CE pin, the logic is fixed and the IC will operate normally. However, supply current may increase as a result of through current in the IC's internal circuitry when medium voltage is input.

## ■ NOTES ON USE

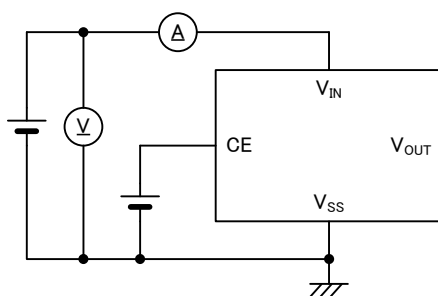
1. Please use this IC within the stated absolute maximum ratings. The IC is liable to malfunction should the ratings be exceeded.
2. This IC achieves stable operation without an output capacitor  $C_L$  by internal phase compensation. However, wiring impedance is high, operations may become unstable due to noise and/or phase lag depending on output current. Please wire the input capacitor  $C_{IN}$  and the output capacitor  $C_L$  as close to the IC as possible.
3. Torex places an importance on improving our products and their reliability. We request that users incorporate fail-safe designs and post-aging protection treatment when using Torex products in their systems.

## TEST CIRCUITS

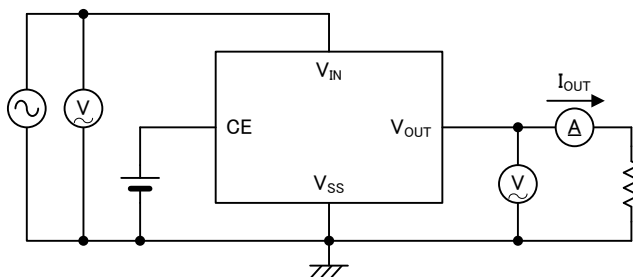
● Circuit ①



● Circuit ②



● Circuit ③

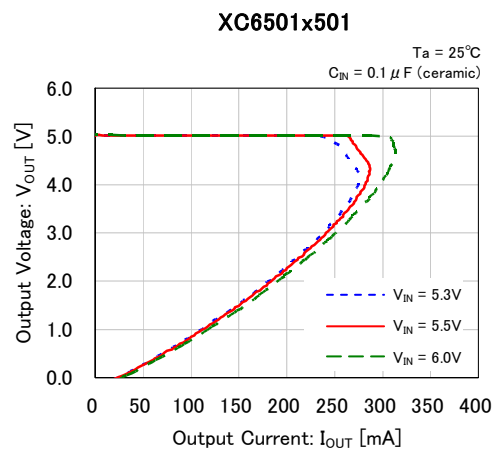
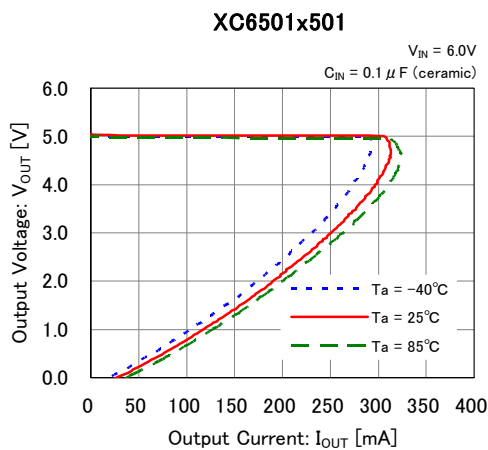
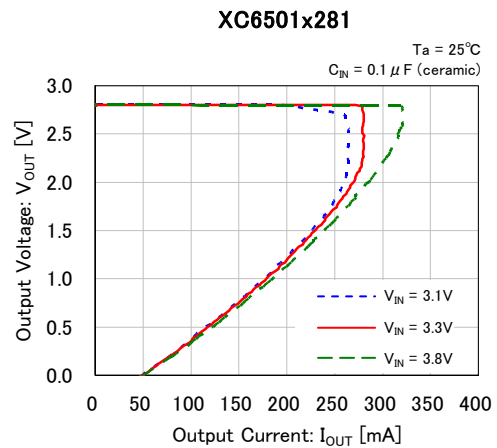
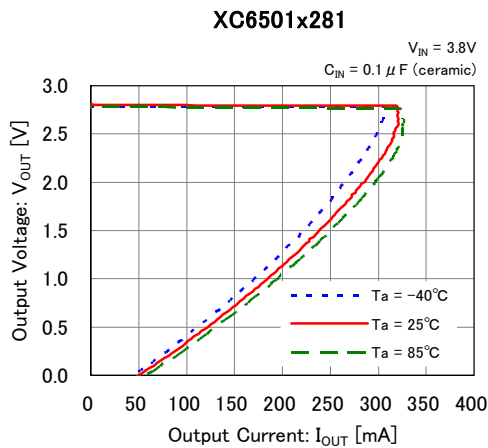
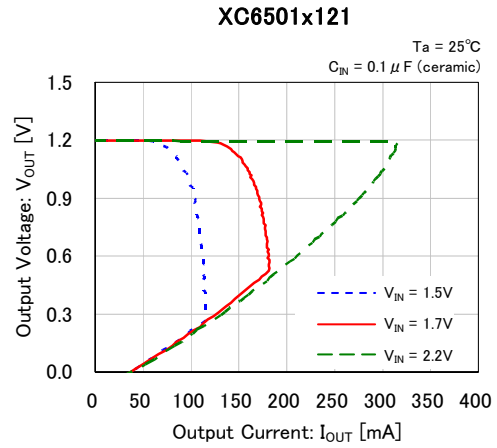
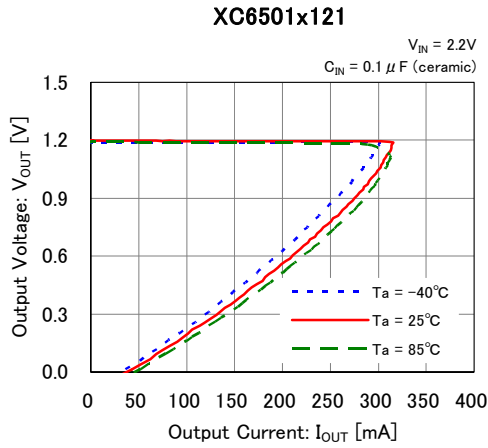


The CE pin does not exist in the XC6501 series P type, please disregard CE description in above test circuit.

## TYPICAL PERFORMANCE CHARACTERISTICS

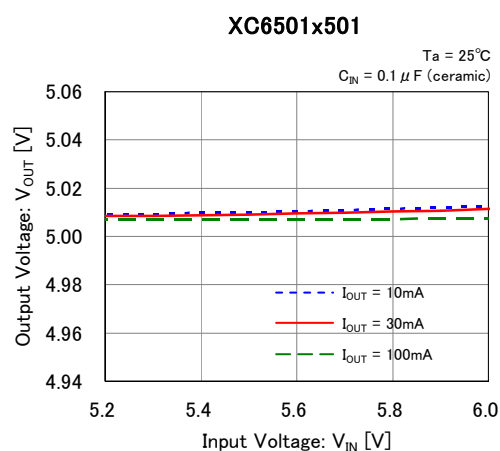
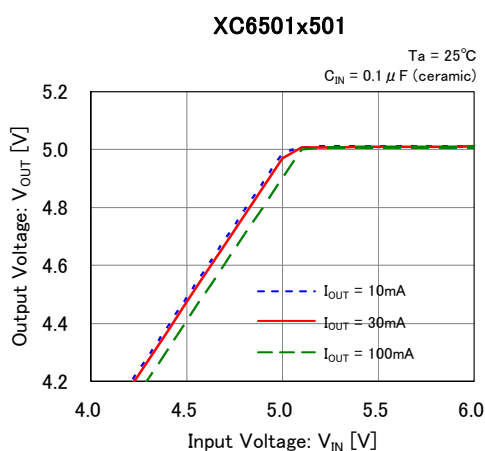
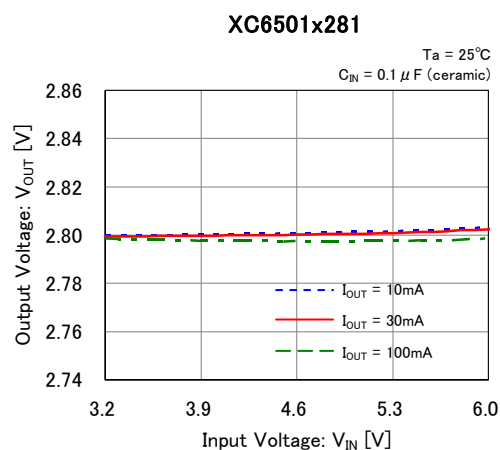
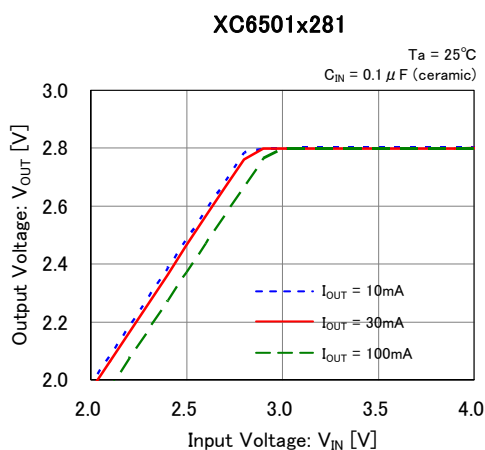
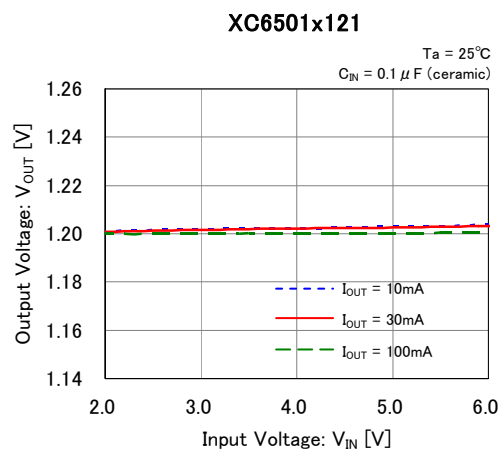
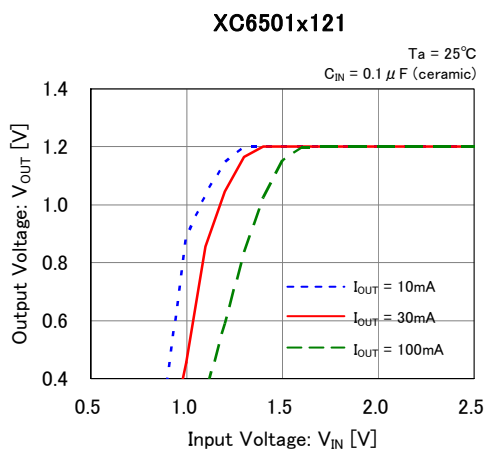
\*CE Voltage condition: Unless otherwise stated,  $V_{CE} = V_{IN}$

### (1) Output Voltage vs. Output Current



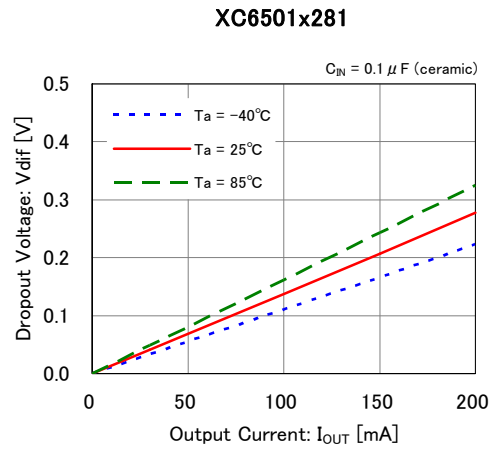
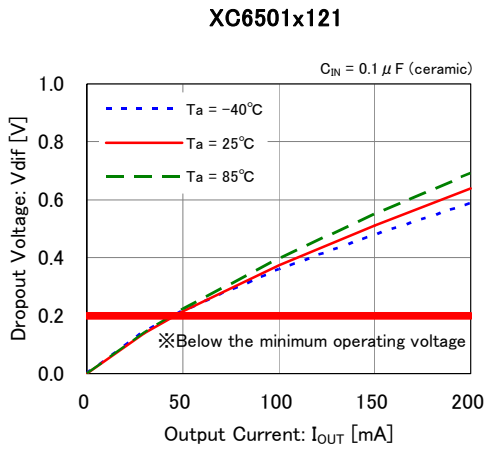
**TYPICAL PERFORMANCE CHARACTERISTICS (Continued)**

(2) Output Voltage vs. Input Voltage

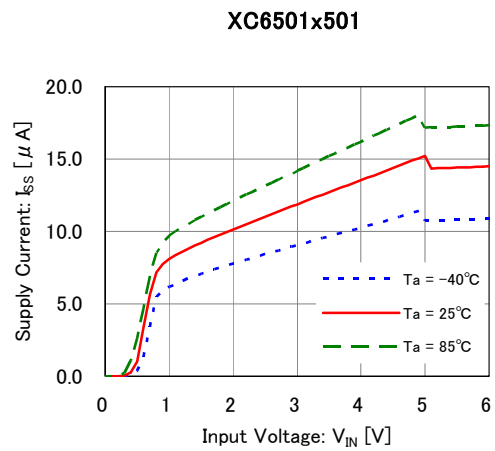
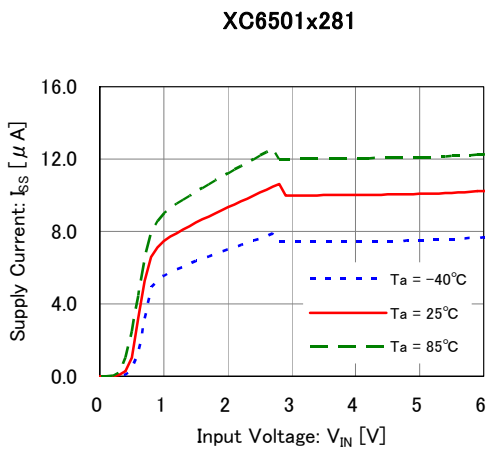
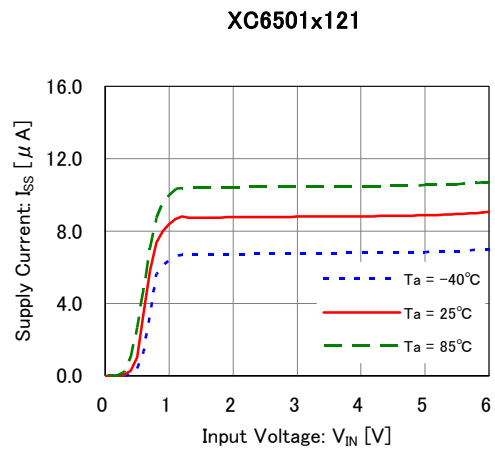
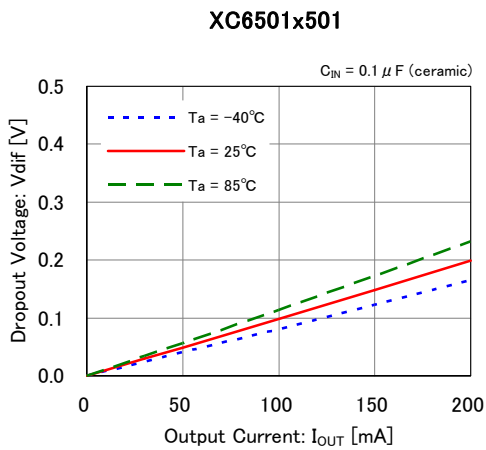


## TYPICAL PERFORMANCE CHARACTERISTICS (Continued)

### (3) Dropout Voltage vs. Output Current

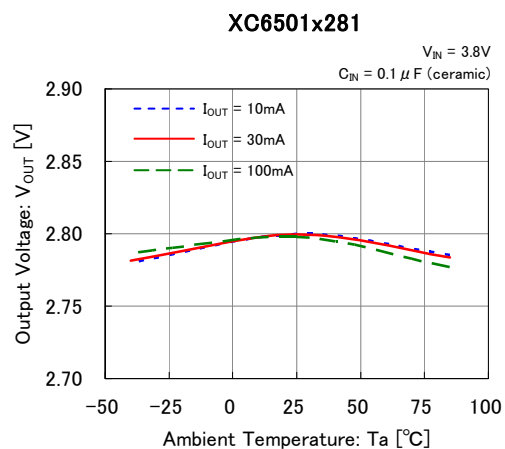
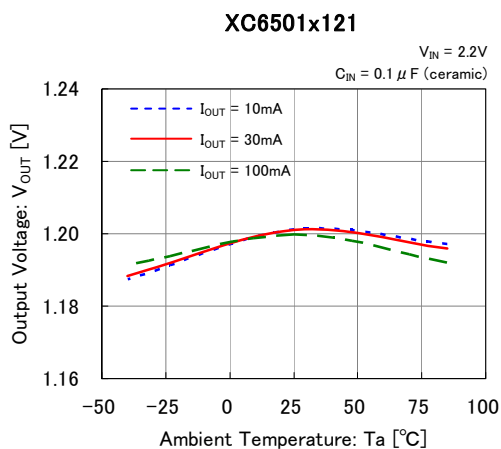


### (4) Supply Current vs. Input Voltage

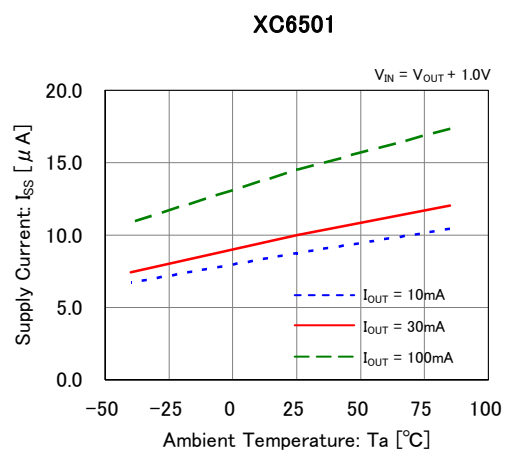
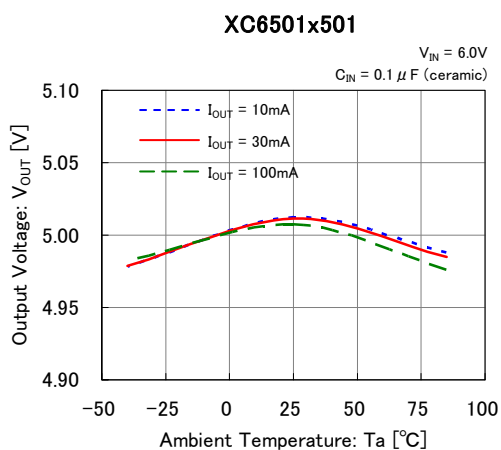


## ■ TYPICAL PERFORMANCE CHARACTERISTICS (Continued)

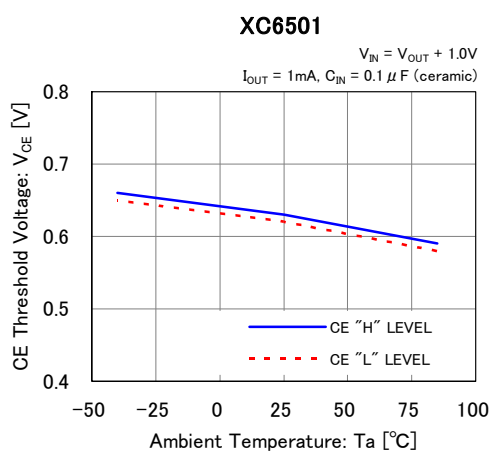
### (5) Output Voltage vs. Ambient Temperature



### (6) Supply Current vs. Ambient Temperature

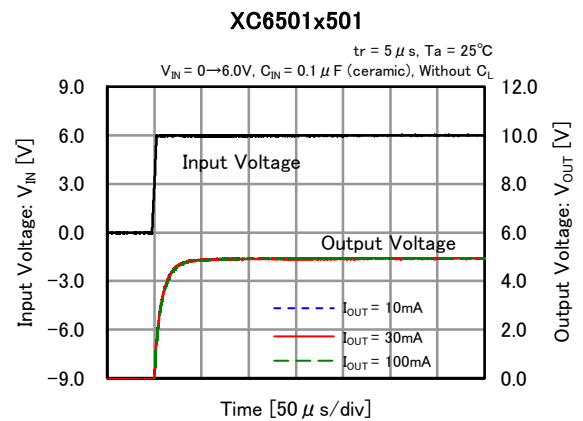
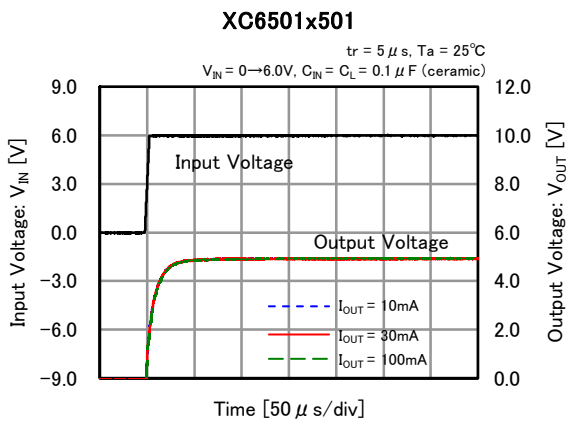
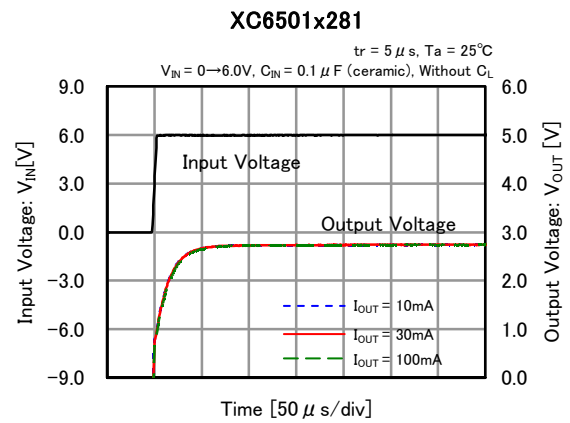
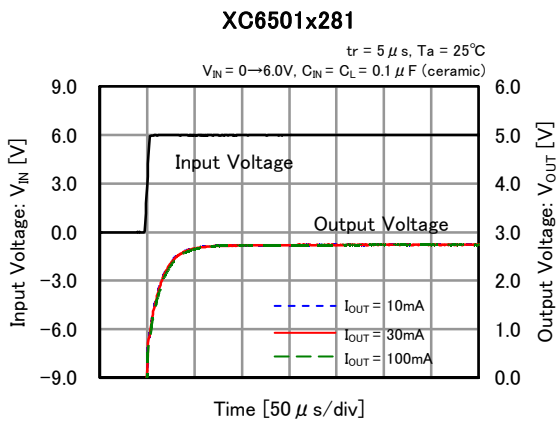
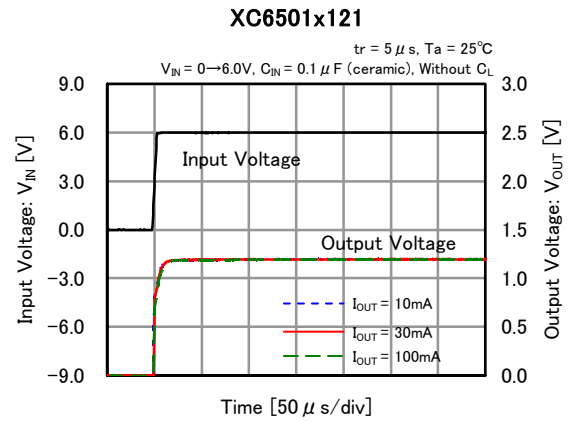
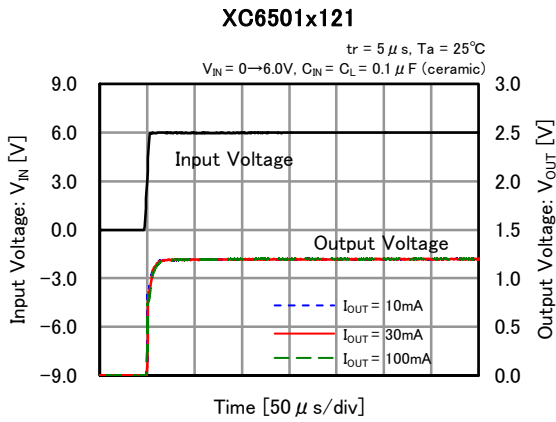


### (7) CE Threshold Voltage vs. Ambient Temperature



## TYPICAL PERFORMANCE CHARACTERISTICS (Continued)

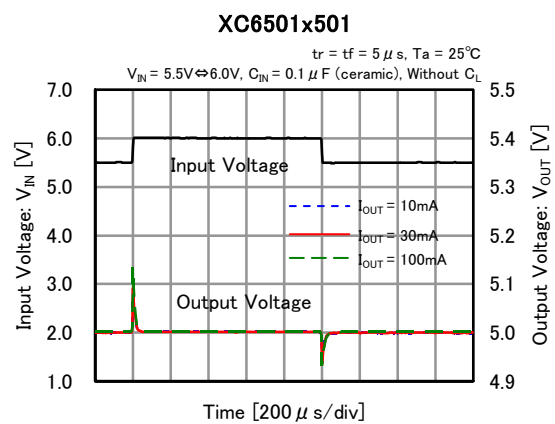
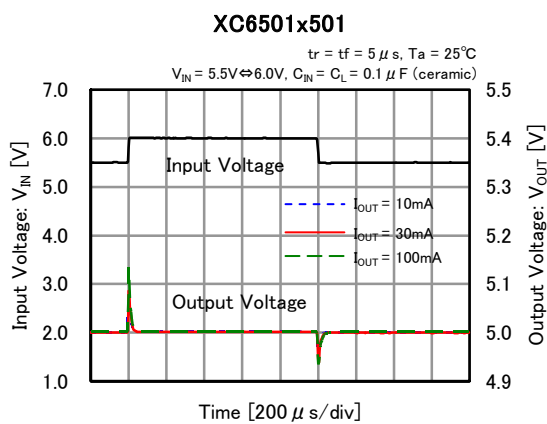
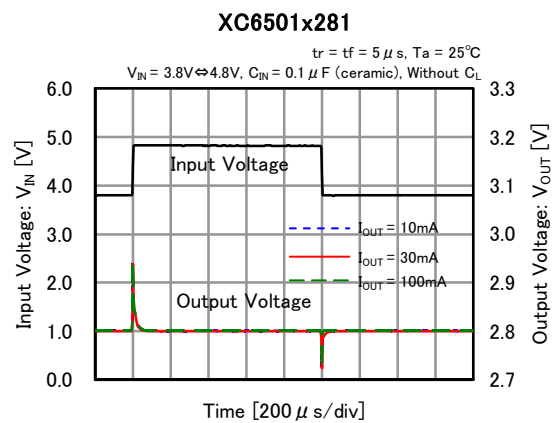
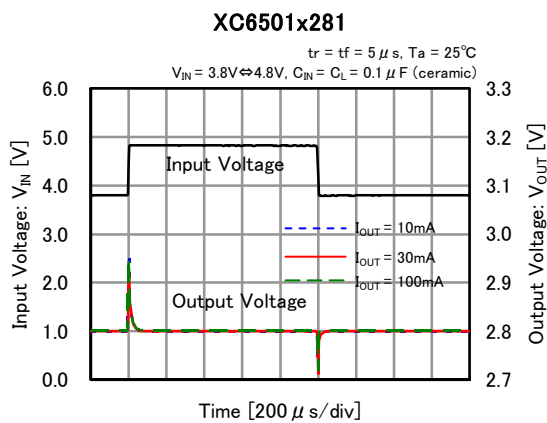
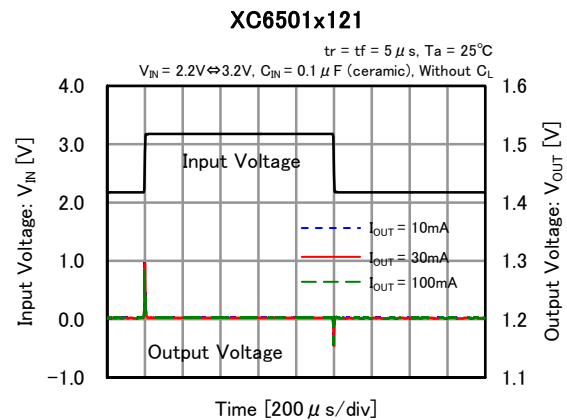
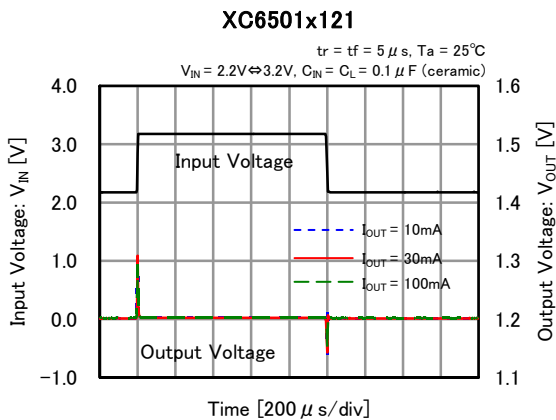
### (8) Rising Response Time





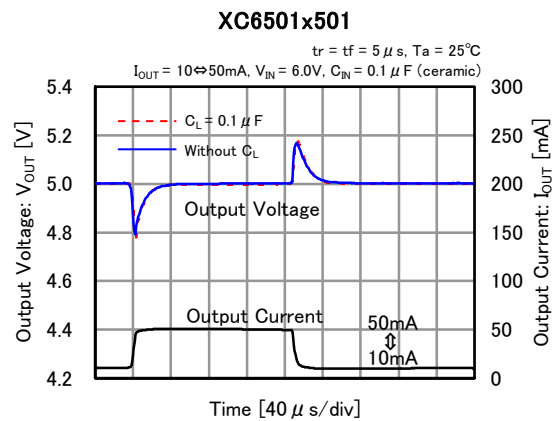
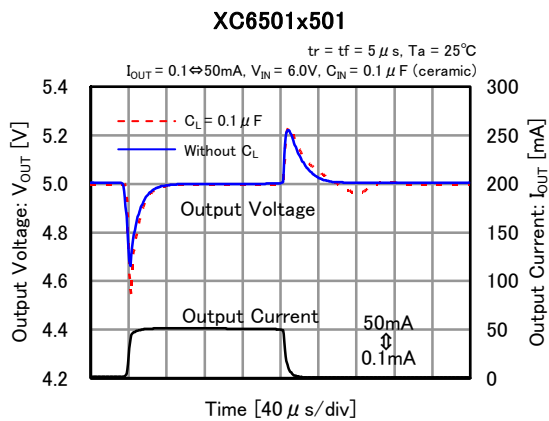
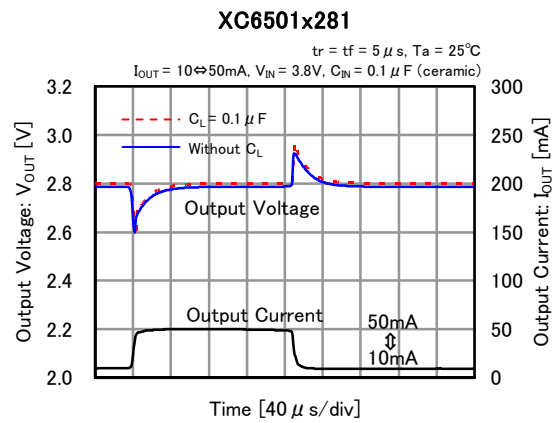
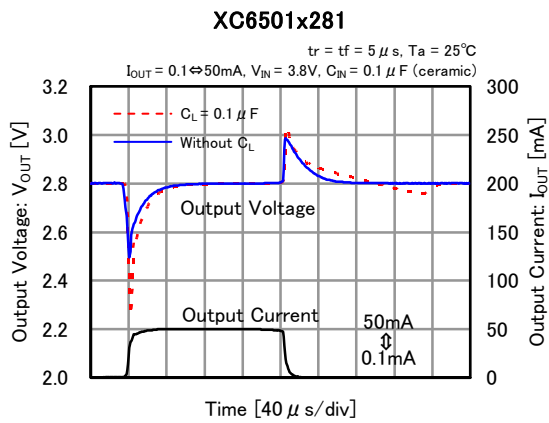
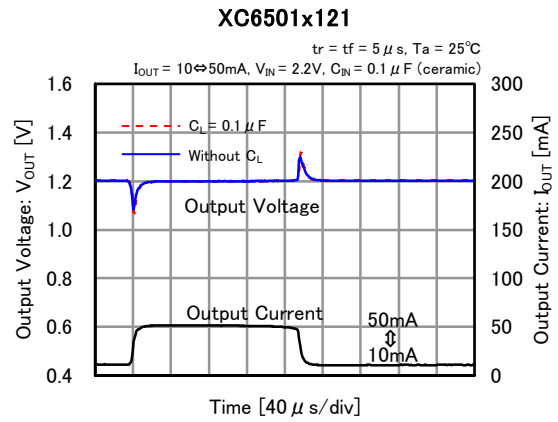
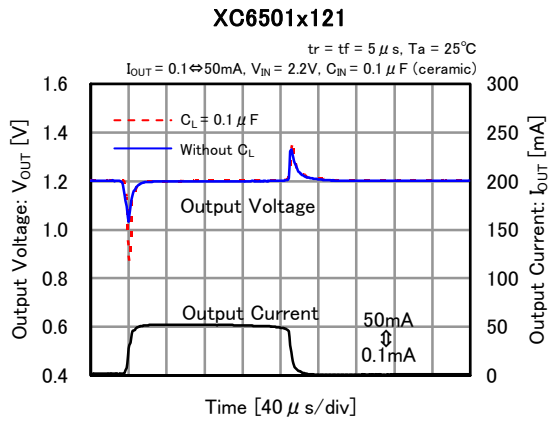
## TYPICAL PERFORMANCE CHARACTERISTICS (Continued)

### (9) Input Transient Response



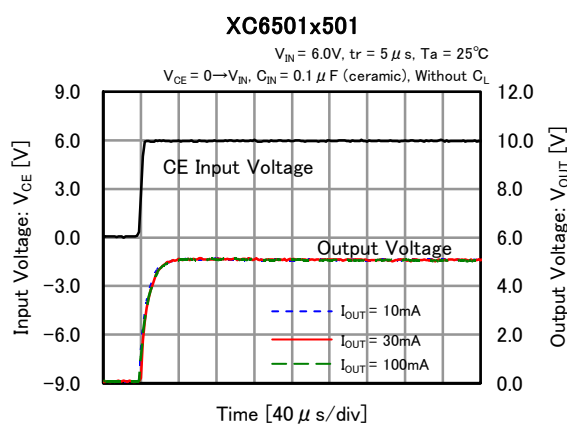
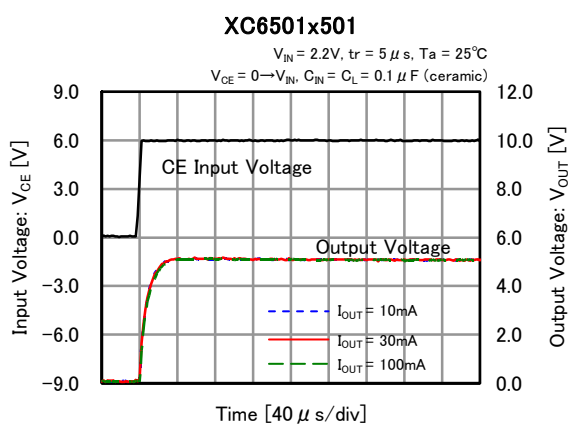
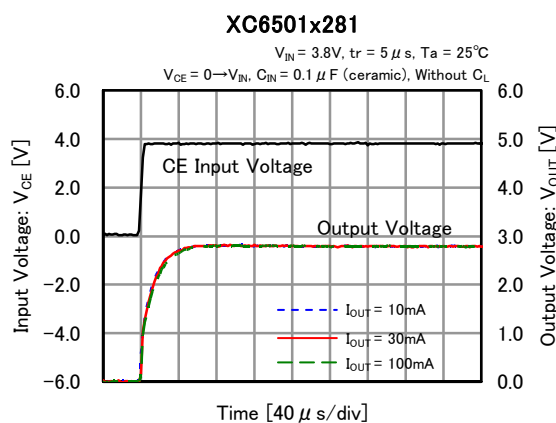
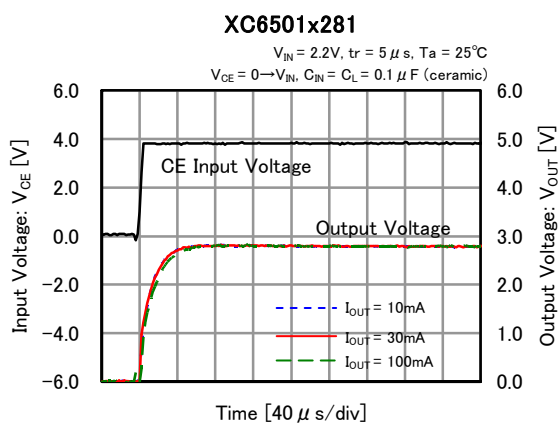
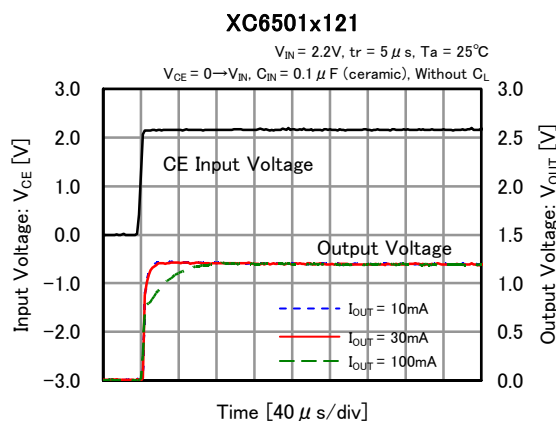
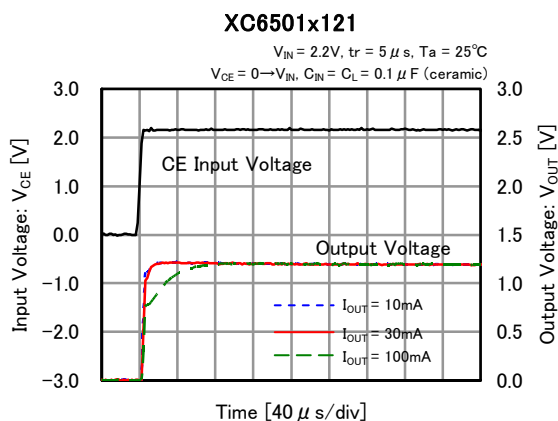
## TYPICAL PERFORMANCE CHARACTERISTICS (Continued)

### (10) Load Transient Response



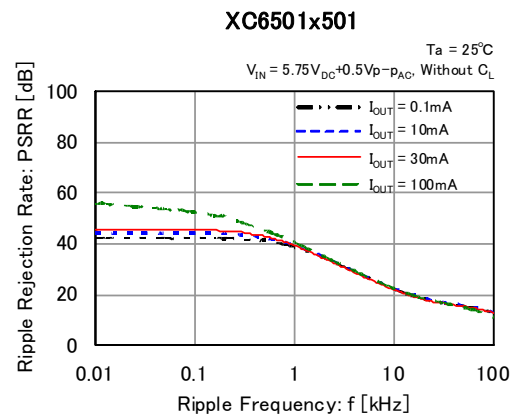
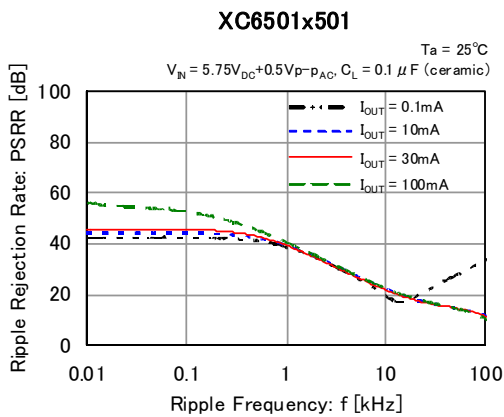
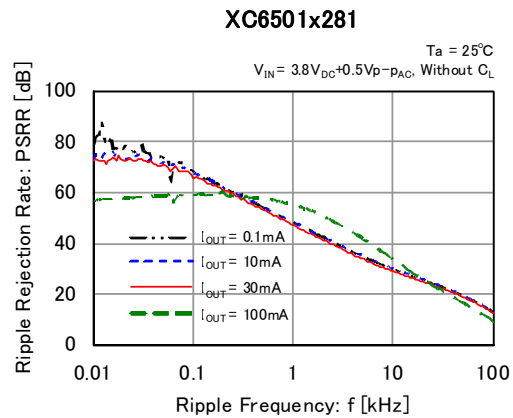
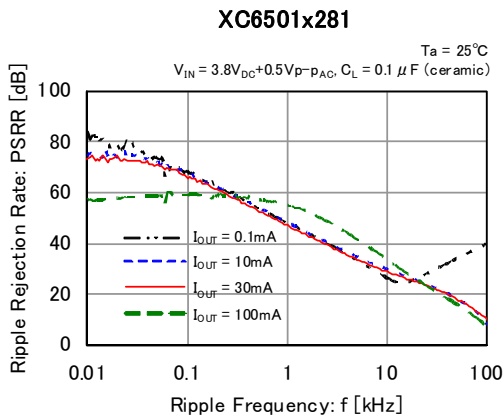
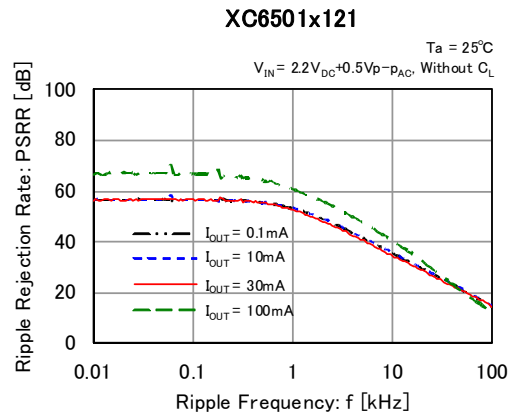
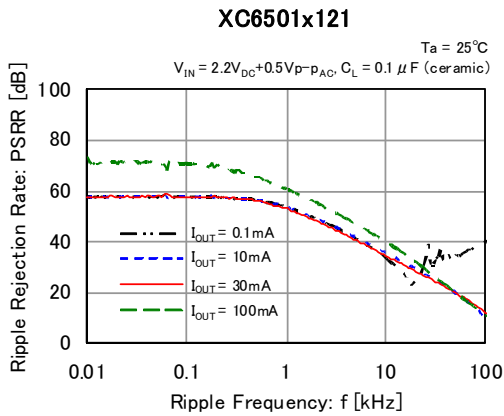
## ■ TYPICAL PERFORMANCE CHARACTERISTICS (Continued)

### (11) CE Rising Respose Time



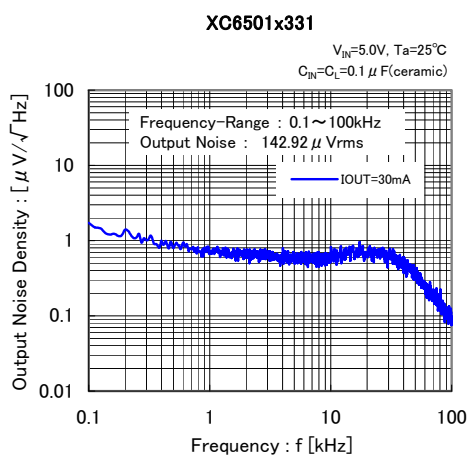
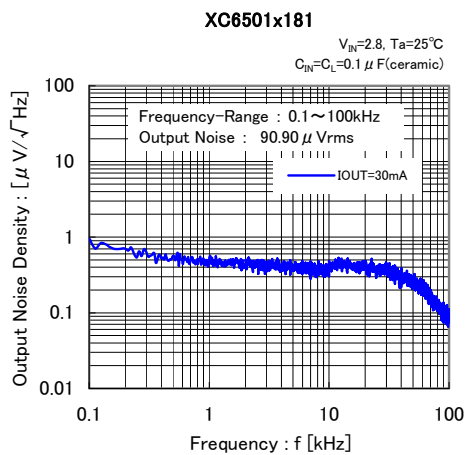
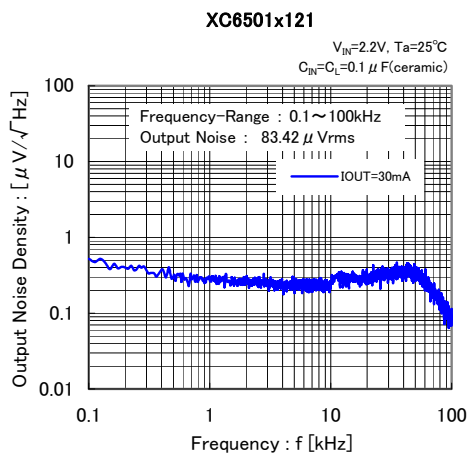
## TYPICAL PERFORMANCE CHARACTERISTICS (Continued)

### (12) Ripple Rejection Rate



## ■ TYPICAL PERFORMANCE CHARACTERISTICS (Continued)

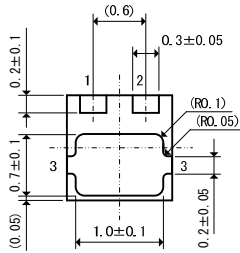
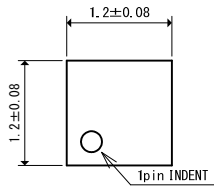
### (13) Output Noise Density



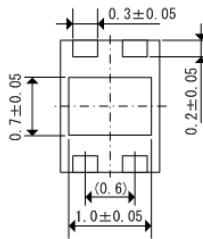
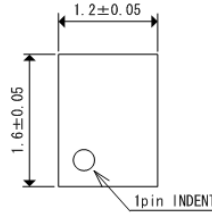
# XC6501 Series

## PACKAGING INFORMATION

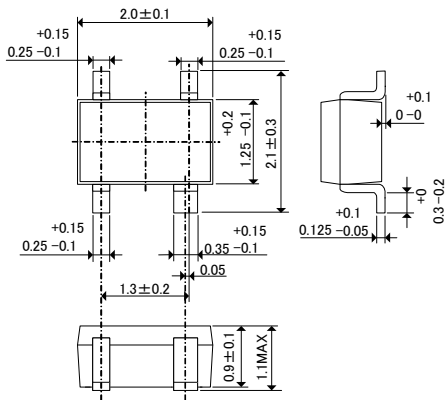
### ● USP-3



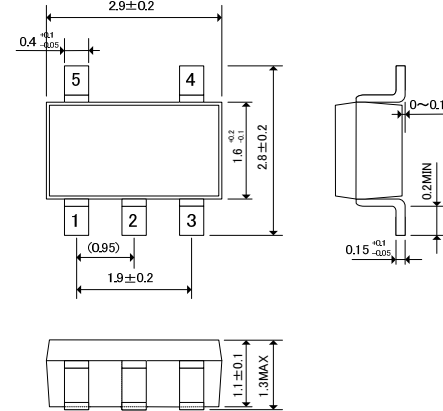
### ● USP-4



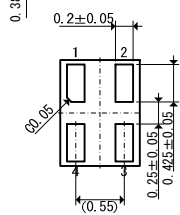
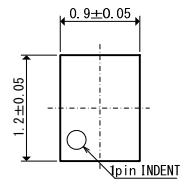
### ● SSOT-24



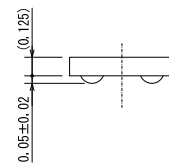
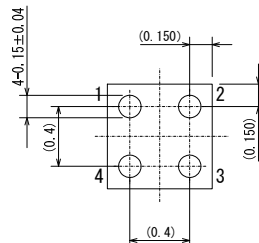
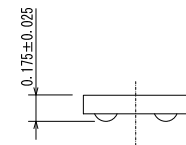
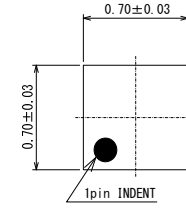
### ● SOT-25



### ● USPN-4

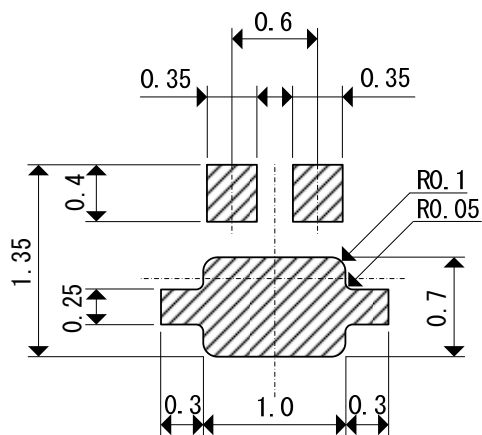


### ● WLP-4-01

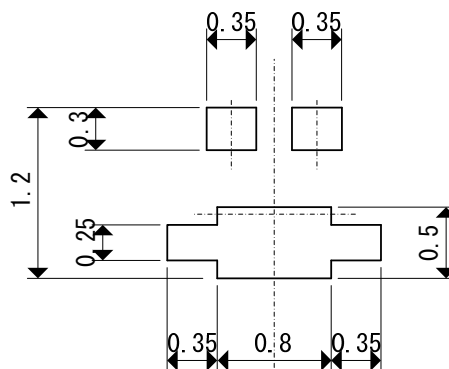


## ■ PACKAGING INFORMATION (Continued)

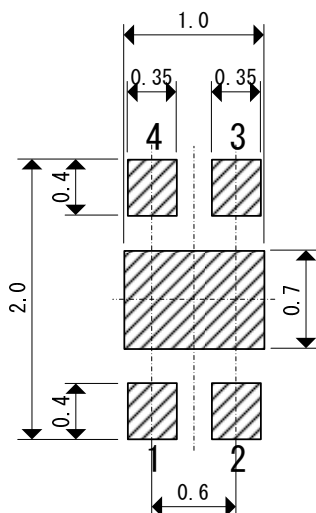
● USP-3 Reference Pattern Layout



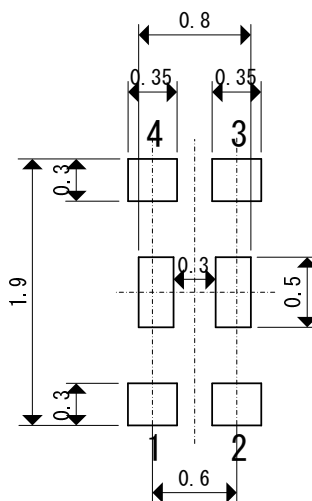
● USP-3 Reference Metal Mask Design



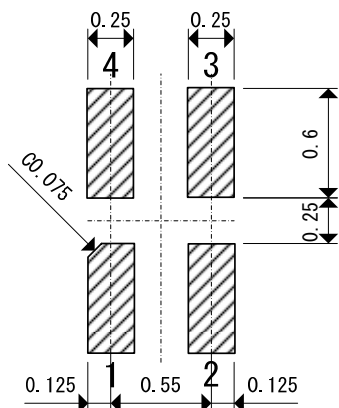
● USP-4 Reference Pattern Layout



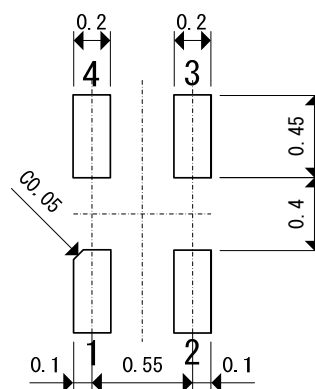
● USP-4 Reference Metal Mask Design



● USPN-4 Reference Pattern Layout



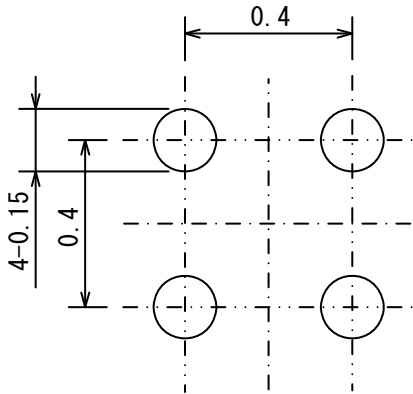
● USPN-4 Reference Metal Mask Design



## PACKAGING INFORMATION (Continued)

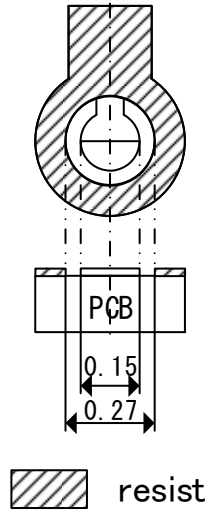
●WLP-4-01

Reference Pattern Layout



●WLP-4-01

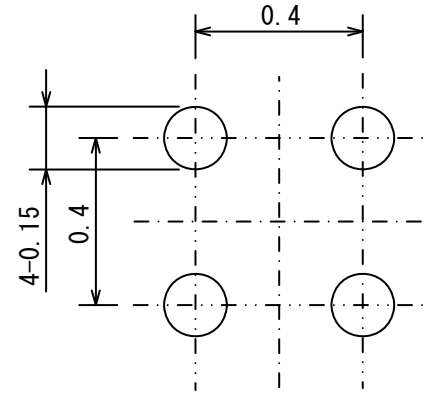
Reference Pattern Layout detail



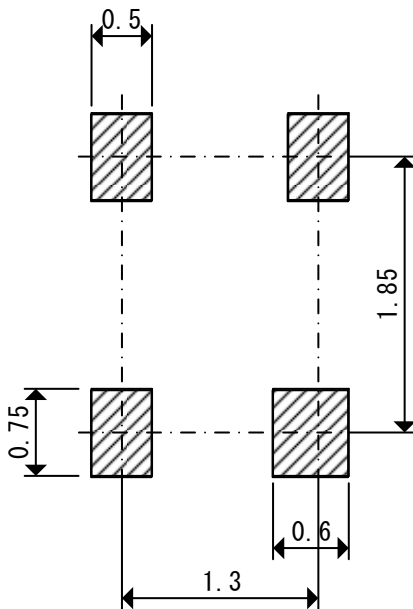
 resist

●WLP-4-01

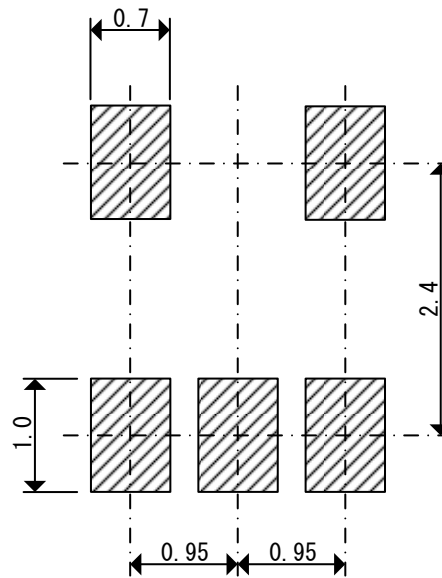
Reference Metal Mask Design



●SSOT-24 Reference Pattern Layout



●SOT-25 Reference Pattern Layout





## ● USPN-4 Power Dissipation

Power dissipation data for the USPN-4 is shown in this page.

The value of power dissipation varies with the mount board conditions.

Please use this data as the reference data taken in the following condition.

### 1. Measurement Condition

Condition : Mount on a board

Ambient : Natural convection

Soldering : Lead (Pb) free

Board: Dimensions 40 x 40 mm  
(1600 mm<sup>2</sup> in one side)

Copper (Cu) traces occupy 50% of the front and 50% of the back.

The copper area is divided into four block, one block is 12.5% of total.

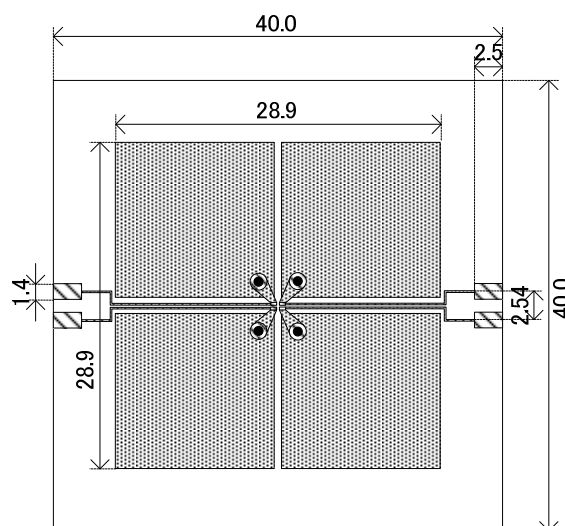
The USPN-4 package has for terminals.

Each terminal connects one copper block in the front and one in the back.

Material: Glass Epoxy (FR-4)

Thickness: 1.6 mm

Through-hole: 4 x 0.8 Diameter

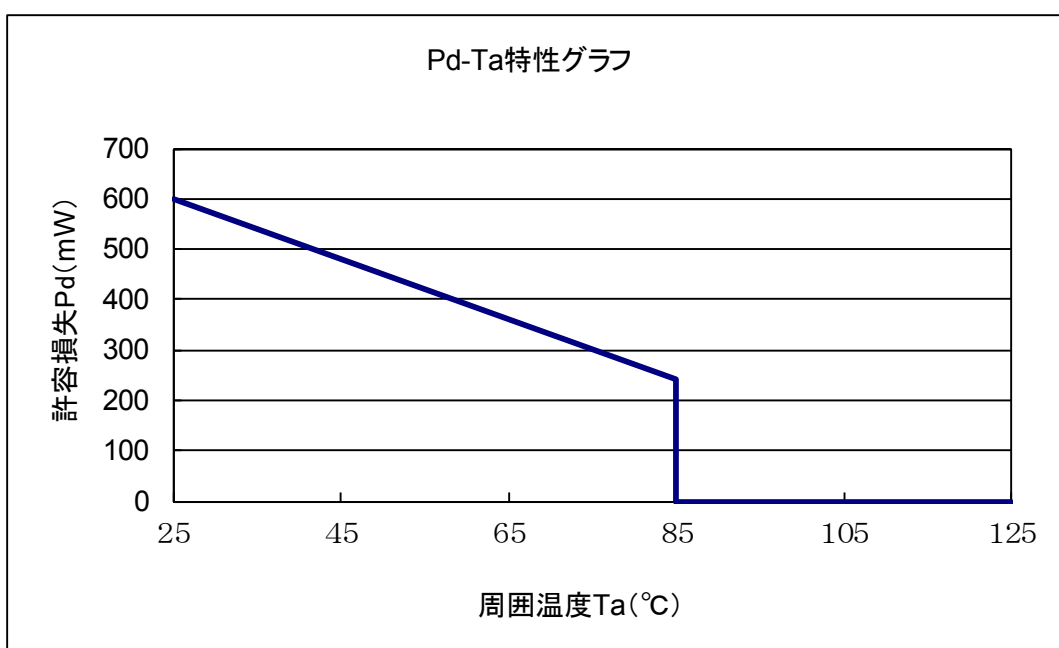


評価基板レイアウト(単位: mm)

### 2. Power Dissipation vs. Ambient Temperature

Board Mount ( $T_j$  max = 125°C)

Ambient Temperature (°C)	Power Dissipation Pd (mW)	Thermal Resistance (°C/W)
25	600	166.67
85	240	



## ● USP-4 Power Dissipation

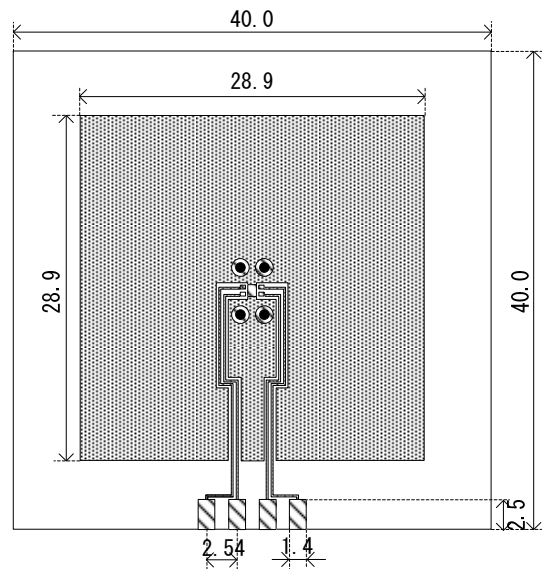
Power dissipation data for the USP-4 is shown in this page.

The value of power dissipation varies with the mount board conditions.

Please use this data as the reference data taken in the following condition.

### 1. Measurement Condition

- Condition : Mount on a board
- Ambient : Natural convection
- Soldering : Lead (Pb) free
- Board : Dimensions 40 x 40 mm  
(1600 mm<sup>2</sup> in one side)
- Copper (Cu) traces occupy 50% of the board area in top and back faces
- Package heat-sink is tied to the copper traces
- Material : Glass Epoxy (FR-4)
- Thickness : 1.6mm
- Through-hole : 4 x 0.8 Diameter

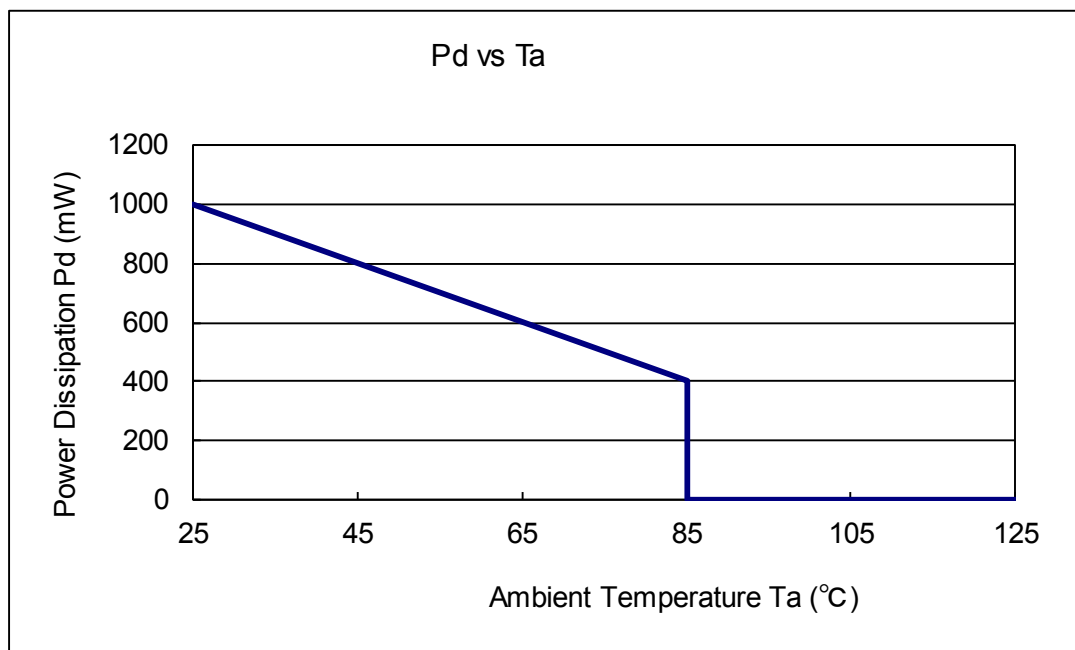


Evaluation Board (Unit : mm)

### 2. Power Dissipation vs. Ambient Temperature

Board Mount ( $T_j \text{ max} = 125^\circ\text{C}$ )

Ambient Temperature ( $^\circ\text{C}$ )	Power Dissipation $P_d$ (mW)	Thermal Resistance ( $^\circ\text{C}/\text{W}$ )
25	1000	100.00
85	400	

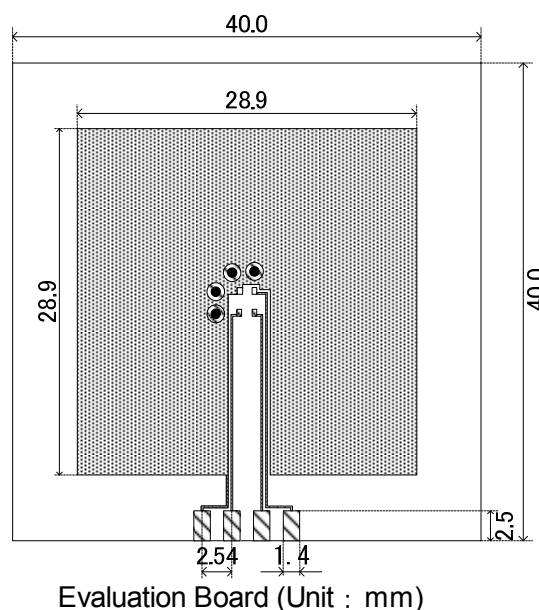


● **SSOT-24 Power Dissipation**

Power dissipation data for the SSOT-24 is shown in this page.  
The value of power dissipation varies with the mount board conditions.  
Please use this data as the reference data taken in the following condition.

1. Measurement Condition

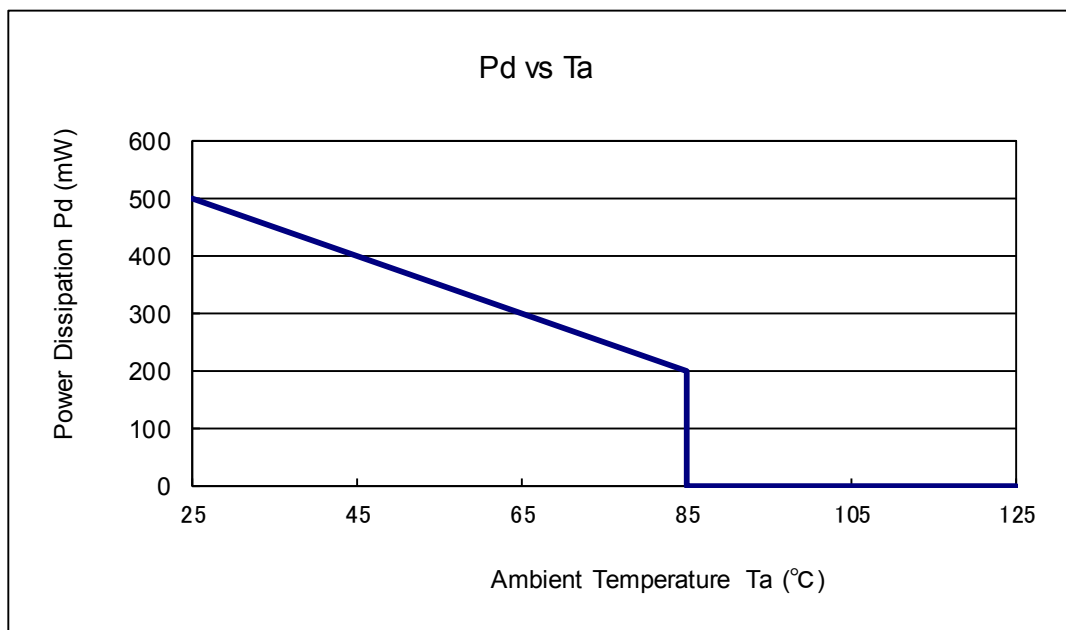
- Condition : Mount on a board
- Ambient : Natural convection
- Soldering : Lead (Pb) free
- Board : Dimensions 40 x 40 mm  
(1600 mm<sup>2</sup> in one side)
- Copper (Cu) traces occupy 50% of the board area in top and back faces
- Package heat-sink is tied to the copper traces
- Material : Glass Epoxy (FR-4)
- Thickness : 1.6mm
- Through-hole : 4 x 0.8 Diameter



2. Power Dissipation vs. Ambient Temperature

Board Mount ( $T_j$  max = 125°C)

Ambient Temperature (°C)	Power Dissipation Pd (mW)	Thermal Resistance (°C/W)
25	500	200.00
85	200	

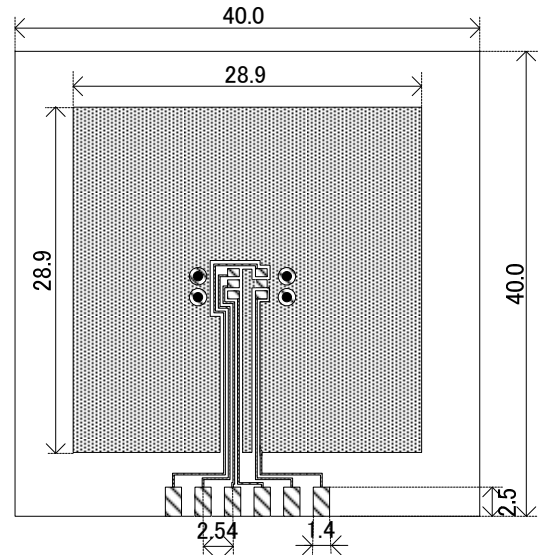


## ● SOT-25 Power Dissipation

Power dissipation data for the SOT-25 is shown in this page.  
 The value of power dissipation varies with the mount board conditions.  
 Please use this data as the reference data taken in the following condition.

### 1. Measurement Condition

- Condition: Mount on a board
- Ambient: Natural convection
- Soldering: Lead (Pb) free
- Board: Dimensions 40 x 40 mm  
 (1600 mm<sup>2</sup> in one side)  
 Copper (Cu) traces occupy 50% of the board area in top and back faces  
 Package heat-sink is tied to the copper traces  
 (Board of SOT-26 is used.)
- Material: Glass Epoxy (FR-4)
- Thickness: 1.6mm
- Through-hole: 4 x 0.8 Diameter

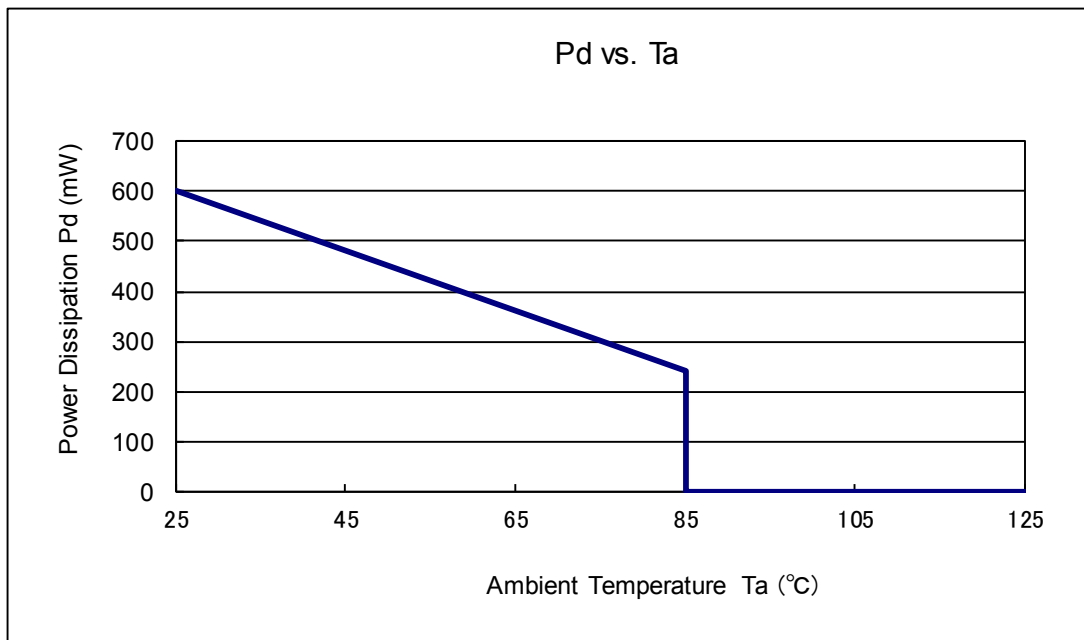


Evaluation Board (Unit: mm)

### 2. Power Dissipation vs. Ambient Temperature

Board Mount ( $T_j \text{ max} = 125^\circ\text{C}$ )

Ambient Temperature ( $^\circ\text{C}$ )	Power Dissipation $P_d$ (mW)	Thermal Resistance ( $^\circ\text{C}/\text{W}$ )
25	600	166.67
85	240	

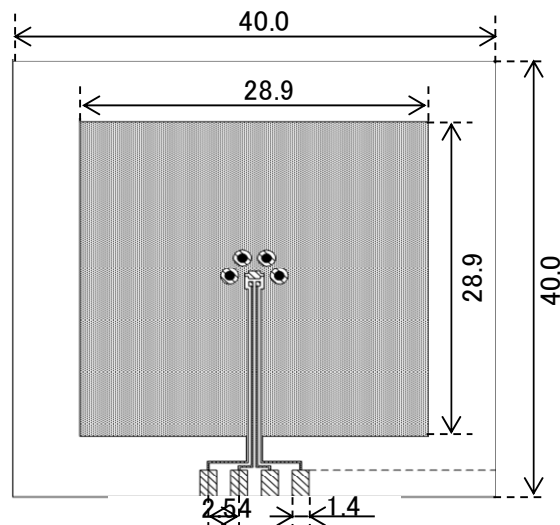


● **USP-3 Power Dissipation**

Power dissipation data for the USP-3 is shown in this page.  
The value of power dissipation varies with the mount board conditions.  
Please use this data as the reference data taken in the following condition.

1. Measurement Condition

- Condition : Mount on a board
- Ambient : Natural convection
- Soldering : Lead (Pb) free
- Board : Dimensions 40 x 40 mm  
(1600 mm<sup>2</sup> in one side)  
Copper (Cu) traces occupy 50% of the board area in top and back faces  
Package heat-sink is tied to the copper traces
- Material : Glass Epoxy (FR-4)
- Thickness : 1.6mm
- Through-hole : 4 x 0.8 Diameter

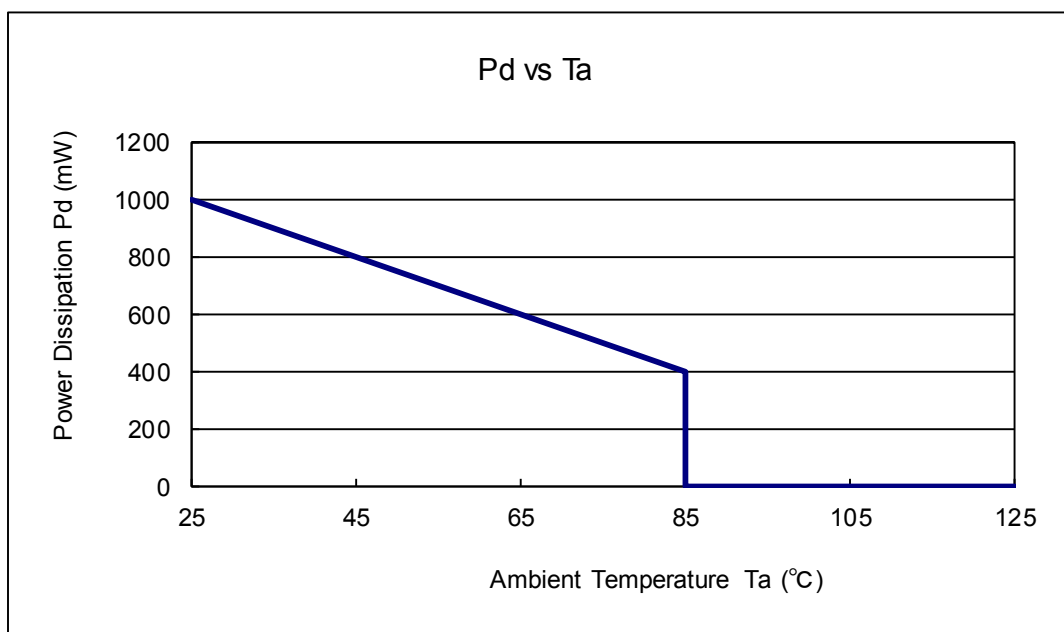


Evaluation Board (Unit : mm)

2. Power Dissipation vs. Ambient Temperature

Board Mount ( $T_j$  max = 125°C)

Ambient Temperature(°C)	Power Dissipation Pd(mW)	Thermal Resistance (°C/W)
25	1000	100.00
85	400	

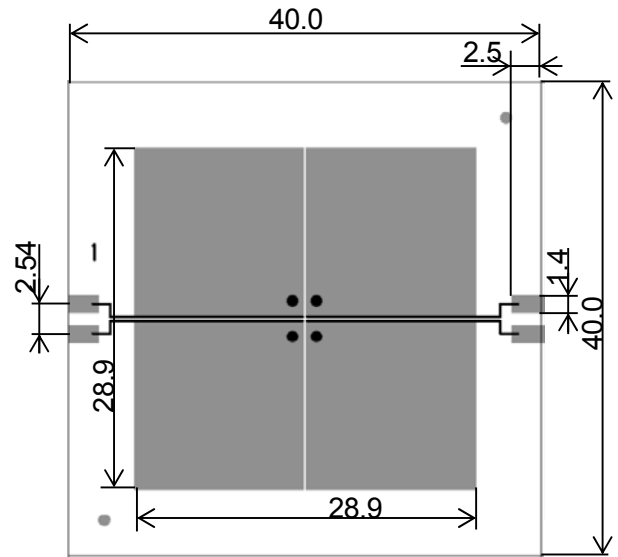


## ● WLP-4-01 Power Dissipation

Power dissipation data for the WLP-4-01 is shown in this page.  
 The value of power dissipation varies with the mount board conditions.  
 Please use this data as the reference data taken in the following condition.

### 1. Measurement Condition

- Condition : Mount on a board
- Ambient : Natural convection
- Soldering : Lead (Pb) free
- Board Dimensions : 40 x 40 mm (1600mm<sup>2</sup>)
- Board Structure : 1st Meter layer about 50%
- 2nd Inner Metal layer about 50%
- 3rd Inner Metal layer about 50%
- 4th Metal layer about 50%
- 4 separations is each layer connected to each pin
- Material : Glass Epoxy (FR-4)
- Thickness : 1.6 mm
- Through-hole : 4 x 0.8 Diameter

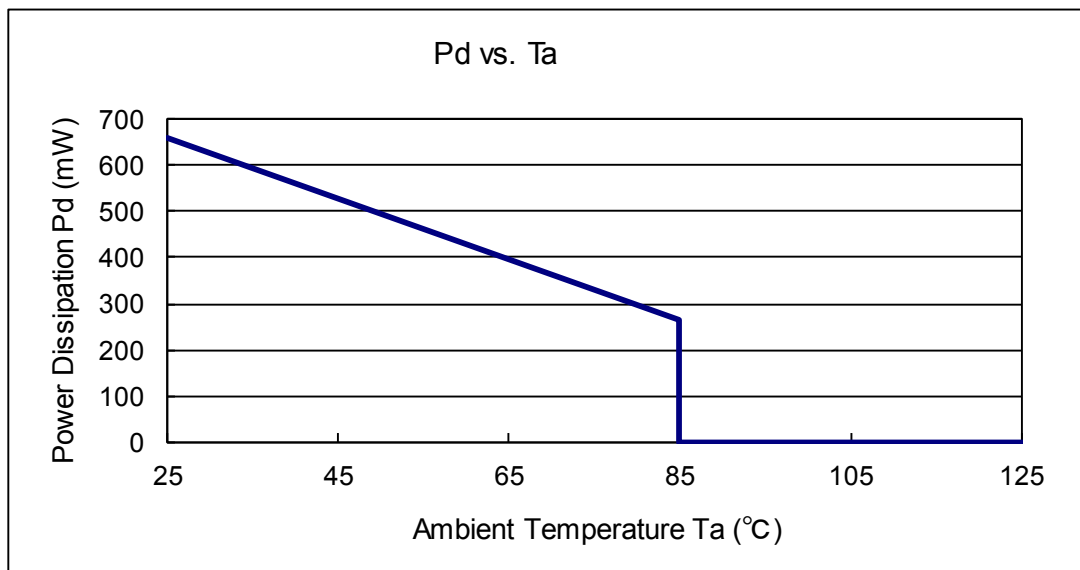


Evaluation Board (Unit: mm)

### 2. Power Dissipation vs. Ambient Temperature

Board Mount ( $T_j \text{ max} = 125^\circ\text{C}$ )

Ambient Temperature ( $^\circ\text{C}$ )	Power Dissipation Pd (mW)	Thermal Resistance ( $^\circ\text{C}/\text{W}$ )
25	660	151.52
85	264	



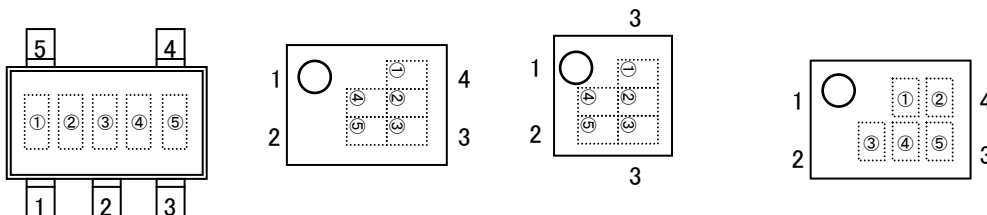
## MARKING RULE

SOT-25

USP-4

USP-3

USPN-4



### MARKING RULE

① represents product series

MARK	PRODUCT SERIES
A	XC6501*****

② represents type of regulator

MARK				PRODUCT SERIES
OUTPUT VOLTAGE 0.1V INCREMENTS		OUTPUT VOLTAGE 0.05V INCREMENTS		
VOLTAGE= 1.2~3.0V	VOLTAGE= 3.1~5.0V	VOLTAGE= 1.25~3.05V	VOLTAGE= 3.15~4.95V	
U	A	E	M	XC6501A*****
V	B	F	N	XC6501B*****
X	C	H	R	XC6501C*****
Y	D	K	S	XC6501D*****
Z	P	L	T	XC6501P*****

③ represents type of output voltage range

MARK	OUTPUT VOLTAGE (V)				MARK	OUTPUT VOLTAGE (V)			
0	-	3.10	-	3.15	F	1.60	4.60	1.65	4.65
1	-	3.20	-	3.25	H	1.70	4.70	1.75	4.75
2	-	3.30	-	3.35	K	1.80	4.80	1.85	4.85
3	-	3.40	-	3.45	L	1.90	4.90	1.95	4.95
4	-	3.50	-	3.55	M	2.00	5.00	2.05	-
5	-	3.60	-	3.65	N	2.10	-	2.15	-
6	-	3.70	-	3.75	P	2.20	-	2.25	-
7	-	3.80	-	3.85	R	2.30	-	2.35	-
8	-	3.90	-	3.95	S	2.40	-	2.45	-
9	-	4.00	-	4.05	T	2.50	-	2.55	-
A	-	4.10	-	4.15	U	2.60	-	2.65	-
B	1.20	4.20	1.25	4.25	V	2.70	-	2.75	-
C	1.30	4.30	1.35	4.35	X	2.80	-	2.85	-
D	1.40	4.40	1.45	4.45	Y	2.90	-	2.95	-
E	1.50	4.50	1.55	4.55	Z	3.00	-	3.05	-

④,⑤ represents production lot number

01 to 09, 0A to 0Z, 11 to 9Z, A1 to A9, AA to Z9, ZA to ZZ repeated.

G, I, J, O, Q, W excepted.

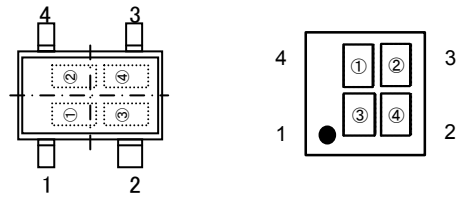
\*No character inversion used.

# XC6501 Series

## MARKING RULE (Continued)

SSOT-24

WLP-4-01



### SSOT-24/WLP-4-01

① represents type of regulator

MARK				PRODUCT SERIES
VOLTAGE= 1.2~2.15V	VOLTAGE= 2.2~3.15V	VOLTAGE= 3.2~4.15V	VOLTAGE= 4.2~5.0V	
5	6	7	8	XC6501A*****
D	E	F	H	XC6501B*****
R	S	T	0	XC6501C*****
V	X	Y	Z	XC6501D*****

② represents type of output voltage range

MARK	OUTPUT VOLTAGE (V)				MARK	OUTPUT VOLTAGE (V)			
A	1.20	2.20	3.20	4.20	N	1.70	2.70	3.70	4.70
B	1.25	2.25	3.25	4.25	P	1.75	2.75	3.75	4.75
C	1.30	2.30	3.30	4.30	R	1.80	2.80	3.80	4.80
D	1.35	2.35	3.35	4.35	S	1.85	2.85	3.85	4.85
E	1.40	2.40	3.40	4.40	T	1.90	2.90	3.90	4.90
F	1.45	2.45	3.45	4.45	U	1.95	2.95	3.95	4.95
H	1.50	2.50	3.50	4.50	V	2.00	3.00	4.00	5.00
K	1.55	2.55	3.55	4.55	X	2.05	3.05	4.05	-
L	1.60	2.60	3.60	4.60	Y	2.10	3.10	4.10	-
M	1.65	2.65	3.65	4.65	Z	2.15	3.15	4.15	-

③,④ represents production lot number

01 to 09, 0A to 0Z, 11 to 9Z, A1 to A9, AA to Z9, ZA to ZZ repeated.

G, I, J, O, Q, W excepted.

\*No character inversion used.