

## PFM Controlled Step-Up DC/DC Converter / Controller ICs

## ■ GENERAL DESCRIPTION

The XC9110/9111 series is a group of PFM controlled step-up DC/DC converter/controller ICs designed to generate low supply voltage by the combination of PFM control and CMOS structure. The series is ideal for applications where a longer battery life is needed such as in portable communication equipment. With a built-in  $2.5\Omega$  N-channel driver transistor, the XC9110A/C/E and XC9111A/C/E types provide a step-up operation by using only a coil, a capacitor, and a diode connected externally. The XC9110/9111B, D and F versions can be used with an external transistor for applications requiring larger currents. Output voltage is internally programmable in a range from 1.5V to 7.0V in increments of 0.1V (accuracy:  $\pm 2.5\%$ ). Maximum oscillation frequency is set to 100kHz for XC9110/9111 series. (At light loads, it is set to 180kHz for the XC9111 series.) Options include products equipped with a CE pin (C and D versions) that allows the IC to be shut down thereby reducing supply current and with separated  $V_{DD}/V_{OUT}$  pins (E and F versions) to separate the power supply block and the output voltage detect block. With the XC9110 series, maximum duty cycle is set to 75% ( $V_{DD}=3.3V$ ) making it suitable for use with large current operations. The XC9111 series automatically switches duty ratio between 56% & 75% ( $V_{DD}=3.3V$ ) when it senses changes in load to drop output ripple voltage and can support both large and small currents. The external transistor types (B/D/F types) can be provided for applications, which require larger currents.

## ■ APPLICATIONS

- Mobile phones
- Various palm top equipment
- Cameras, VCRs
- Various portable equipment

## ■ FEATURES

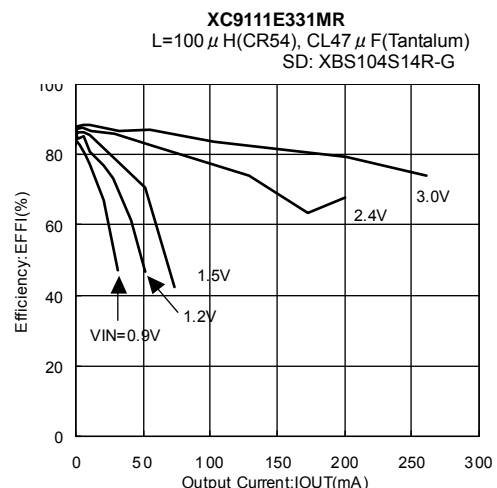
|                                      |   |
|--------------------------------------|---|
| <b>Operating (Input) Range</b>       | : 0.9V ~ 10.0V  |
| <b>Output Voltage Range</b>          | : 1.5V~7.0V in 0.1V increments  |
| <b>Output Accuracy</b>               | : $\pm 2.5\%$   |
| <b>Max Oscillation Frequency</b>     | : 100 kHz $\pm 15\%$<br>180 kHz (at 56% duty of XC9111)                 |
| <b>Built-in Switch Types</b>         | : A/C/E type  |
| <b>N-ch FET On-Resistance</b>        | : $2.5\Omega$ @ $V_{DD}=3.0V$   |
| <b>External Transistor Types</b>     | : B/D/F type  |
| <b>Lx Limit Voltage</b>              | : E type: more than $V_{DD}=2.0V$<br>A/C type: more than $V_{OUT}=2.0V$ |
| <b>Max Duty Cycles</b>               | : 75% (for XC9110)<br>56%/75% two steps (for XC9111)                    |
| <b>Low Supply Current</b>            | : $2.0\mu A$ @ $V_{OUT}=3V$   |
| <b>Operating Ambient Temperature</b> | : $-40^{\circ}C \sim +85^{\circ}C$                                      |
| <b>Packages</b>                      | : SOT-23 ,SOT89 (for XC9111),<br>SOT-25, USP-6C                         |
| <b>Environmentally Friendly</b>      | : EU RoHS Compliant, Pb Free  |

## ■ TYPICAL APPLICATION CIRCUIT

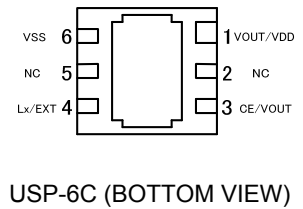
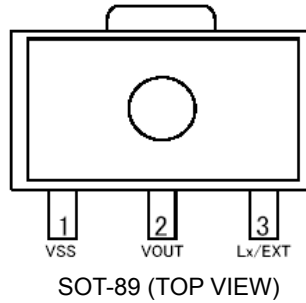
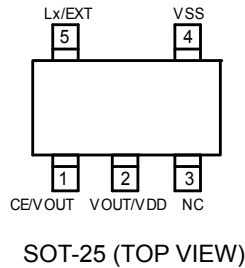
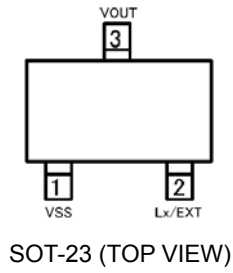
- C type circuit



## ■ TYPICAL PERFORMANCE CHARACTERISTICS



## PIN CONFIGURATION



\*The dissipation pad for the USP-6C package should be solder-plated in recommended mount pattern and metal masking so as to enhance mounting strength and heat release. If the pad needs to be connected to other pins, it should be connected to the pin No.1.

## PIN ASSIGNMENT

### ●XC9111A/B

| PIN NUMBER |   |        |   | PIN NAME | FUNCTIONS   |
|------------|---|--------|---|----------|---|
| SOT-23     |   | SOT-89 |   |          |   |
| A          | B | A      | B |          |   |
| 1          | 1 | 1      | 1 | VSS      | Ground  |
| 3          | 3 | 2      | 2 | VOUT     | Output Voltage Monitor, Internal Power Supply               |
| 2          | - | 3      | - | LX       | Switch  |
| -          | 2 | -      | 3 | EXT      | External Switching transistor drive <N-ch transistor drive> |

### ●XC9110//9111C/D/E/F

| PIN NUMBER |   |   |   |        |     |     |     | PIN NAME | FUNCTIONS   |
|------------|---|---|---|--------|-----|-----|-----|----------|---|
| SOT-25     |   |   |   | USP-6C |     |     |     |          |   |
| C          | D | E | F | C      | D   | E   | F   |          |   |
| -          | - | 2 | 2 | -      | -   | 1   | 1   | VDD      | Internal Power Supply   |
| 4          | 4 | 4 | 4 | 6      | 6   | 6   | 6   | VSS      | Ground  |
| -          | 5 | - | 5 | -      | 4   | -   | 4   | EXT      | External switching transistor drive<br><Connect to the gate pin of N-ch Power MOSFET> |
| 5          | - | 5 | - | 4      | -   | 4   | -   | Lx       | Switch  |
| 1          | 1 | - | - | 3      | 3   | -   | -   | CE       | Chip Enable <Connect to the VOUT pin when Active and the VSS pin when stand-by>       |
| 2          | 2 | 1 | 1 | 1      | 1   | 3   | 3   | VOUT     | Output voltage monitor  |
| 3          | 3 | 3 | 3 | 2,5    | 2,5 | 2,5 | 2,5 | NC       | No connection   |

## ■ PRODUCT CLASSIFICATION

● Selection Guide



## PRODUCT CLASSIFICATION

### Ordering Information

XC9110①②③④⑤⑥-⑦ : PFM control, 75% duty

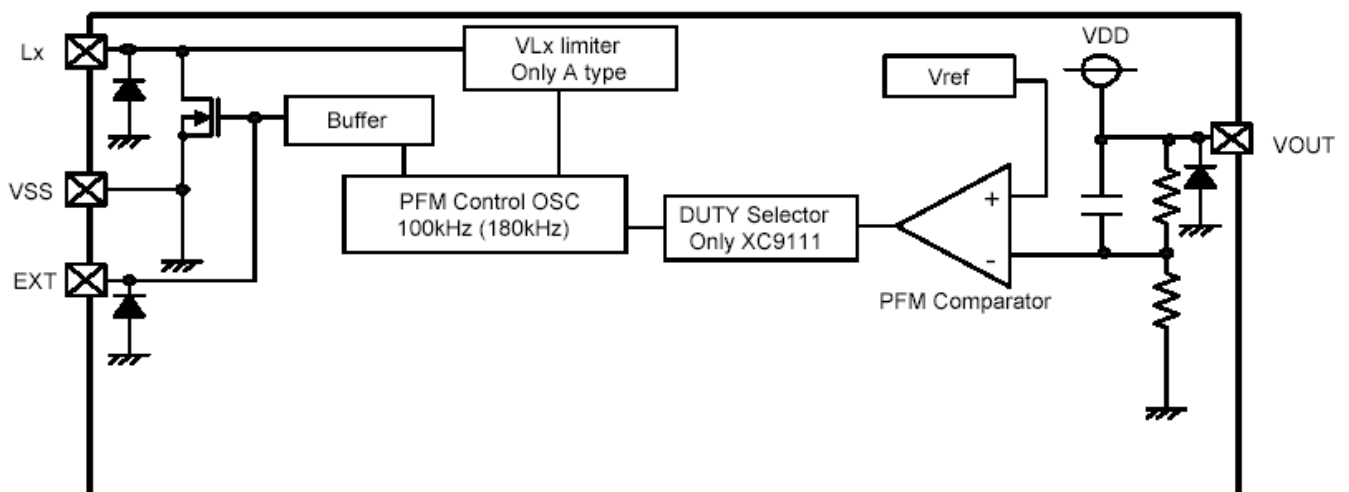
XC9111①②③④⑤⑥-⑦ : PFM control, 56% / 75% duty variable

| DESIGNATOR          | ITEM                          | SYMBOL  | DESCRIPTION   |
|---------------------|-------------------------------|---------|---|
| ①                   | CE Function                   | A       | $V_{DD} / V_{OUT}$ common type (for XC9111series) Built-in Transistor |
|                     |                               | B       | $V_{DD} / V_{OUT}$ common type (for XC9111series) External Transistor |
|                     |                               | C       | CE pin (5 pin) Built-in Transistor                                    |
|                     |                               | D       | CE pin (5 pin) External Transistor                                    |
|                     |                               | E       | $V_{DD} / V_{OUT}$ separated type (5 pin) Built-in Transistor         |
|                     |                               | F       | $V_{DD} / V_{OUT}$ separated type (5 pin) External Transistor         |
| ②③                  | Output Voltage                | 15 ~ 70 | ex. 3.5V output → ②= 3, ③= 5  |
| ④                   | Maximum Oscillation Frequency | 1       | 100kHz  |
| ⑤⑥-⑦ <sup>(*)</sup> | Packages (Order Unit)         | MR      | ①=A~B SOT-23 (3,000/Reel)<br>①=C~F SOT-25 (3,000/Reel)                |
|                     |                               | MR-G    | ①=A~B SOT-23 (3,000/Reel)<br>①=C~F SOT-25 (3,000/Reel)                |
|                     |                               | PR      | ①=A~B SOT-89 (1,000/Reel)   |
|                     |                               | PR-G    | ①=A~B SOT-89 (1,000/Reel)   |
|                     |                               | ER      | ①=C~F USP-6C (3,000/Reel)   |
|                     |                               | ER-G    | ①=C~F USP-6C (3,000/Reel)   |

<sup>(\*)</sup> The "-G" suffix denotes Halogen and Antimony free as well as being fully RoHS compliant.

## BLOCK DIAGRAMS

### XC9111 A and B series

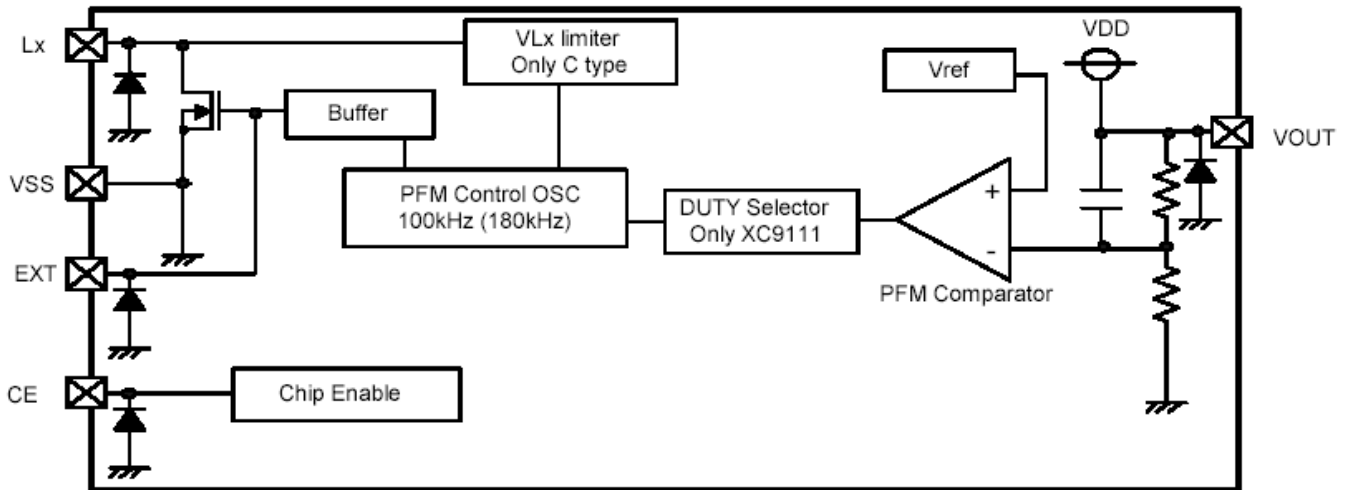


Note: The XC9110 series, Tr. Built-in type, uses the Lx pin and the XC9111 series, external Tr. Type, uses the EXT pin. The duty ratio of the XC9111 series automatically varies between 56% (oscillation frequency 180kHz) and 75% (oscillation frequency ( $f_{osc}$ ) 100kHz). The VLx limit function only applies to the XC9110/9111 A types.

\* The duty ratio depends on power supply. Please refer to the electrical characteristics on duty against output voltage you use.

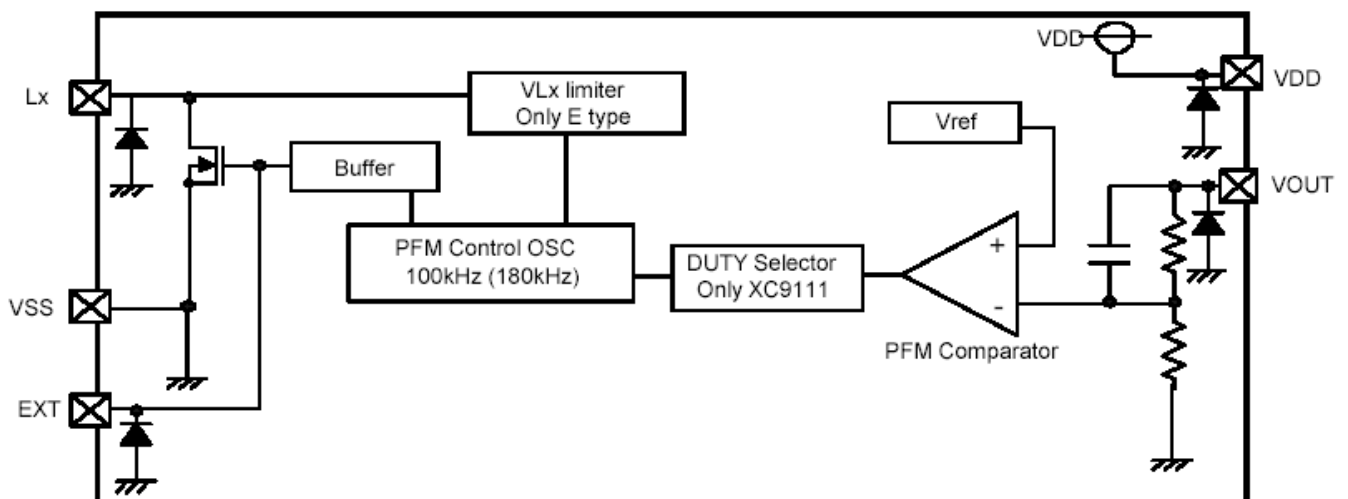
## ■ BLOCK DIAGRAMS

### ● XC9110 / 9111 C and D series



Note: The XC9110 series, Tr. Built-in type, uses the Lx pin and the XC9111 series, external Tr. Type, uses the EXT pin. The XC9110 series' duty ratio is 75% and oscillation frequency ( $f_{osc}$ ) is 100kHz. The duty ratio of the XC9111 series automatically varies between 56% (oscillation frequency 180kHz) and 75% (oscillation frequency ( $f_{osc}$ ) 100kHz). The VLx limit function only applies to the XC9110/9111 C versions.  
\* The duty ratio depends on power supply. Please refer to the electrical characteristics on duty against output voltage you use.

### ● XC9111 E and F series



Note: The XC9110 series, Tr. Built-in type, uses the Lx pin and the XC9111 series, external Tr. Type, uses the EXT pin. The XC9110 / 9111 series E and F series have the VDD pin. The XC9110 series' duty ratio is 75% and oscillation frequency ( $f_{osc}$ ) is 100kHz. The duty ratio of the XC9111 series automatically varies between 56% (oscillation frequency 180kHz) and 75% (oscillation frequency ( $f_{osc}$ ) 100kHz). The VLx limit function only applies to the XC9110/9111 C versions.  
\* The duty ratio depends on power supply. Please refer to the electrical characteristics on duty against output voltage you use.

## ELECTRICAL CHARACTERISTICS

| PARAMETER                      |            | SYMBOL           | RATINGS  | UNITS |
|--------------------------------|------------|------------------|--|-------|
| V <sub>OUT</sub> Input Voltage |            | V <sub>OUT</sub> | - 0.3 ~ 12.0                                   | V     |
| Lx Pin Voltage                 |            | V <sub>Lx</sub>  | - 0.3 ~ 12.0                                   | V     |
| Lx Pin Current                 |            | I <sub>Lx</sub>  | 400  | mA    |
| EXT Pin Voltage                |            | V <sub>EXT</sub> | V <sub>SS</sub> - 0.3 ~ V <sub>OUT</sub> + 0.3 | V     |
| EXT Pin Current                |            | I <sub>EXT</sub> | ± 100  | mA    |
| CE Input Voltage               |            | V <sub>CE</sub>  | - 0.3 ~ 12.0                                   | V     |
| V <sub>DD</sub> Input Voltage  |            | V <sub>DD</sub>  | - 0.3 ~ 12.0                                   | V     |
| Power Dissipation              | SOT-23, 25 | P <sub>d</sub>   | 250  | mW    |
|                                | SOT-89     |                  | 500  |       |
|                                | USP-6C     |                  | 120  |       |
| Operating Ambient Temperature  |            | T <sub>opr</sub> | - 40 ~ + 85                                    | °C    |
| Storage Temperature            |            | T <sub>stg</sub> | - 55 ~ + 125                                   | °C    |

\* Define as V<sub>SS</sub> with a standard of all the voltage.

## ■ ABSOLUTE MAXIMUM RATINGS

XC9111Axx1MR

Ta = 25°C

| PARAMETER                                  | SYMBOL   | CONDITIONS   | MIN.    | TYP.             | MAX.    | UNIT       | CIRCUIT |
|--|--|--|---------|------------------|---------|------------|---------|
| Output Voltage                             | V <sub>OUT</sub>   | Connected to external components   | × 0.975 | V <sub>OUT</sub> | × 1.025 | V          | ①       |
| Output Voltage Temperature Characteristics | $\frac{\Delta V_{OUT}}{\Delta V_{OUT} \cdot \Delta T_{opr}}$ | Connected to external components<br>- 40°C ≤ T <sub>opr</sub> ≤ 85°C                           | -       | ± 100            | -       | ppm/<br>°C | ①       |
| Maximum Input Voltage                      | V <sub>IN</sub>  |  | 10      | -                | -       | V          | ①       |
| Operating Start Voltage                    | V <sub>ST1</sub>   | I <sub>OUT</sub> =1mA,<br>Connected to external components                                     | -       | 0.8              | 0.9     | V          | ①       |
| Oscillation Start Voltage                  | V <sub>ST2</sub>   | Applied 0.8V to V <sub>OUT</sub> , V <sub>pull</sub> =1.0V                                     | -       | -                | 0.8     | V          | ②       |
| Operating Hold Voltage                     | V <sub>HLD</sub>   | I <sub>OUT</sub> =1mA,<br>Connected to external components                                     | 0.7     | -                | -       | V          | ①       |
| Input Current at No Load                   | I <sub>IN</sub>  | I <sub>OUT</sub> =0mA (*1)   | -       | E1-1(*)          | E1-2(*) | μA         | ①       |
| Supply Current 1 (*2)                      | I <sub>DD1</sub>   | Applied (output voltage × 0.95) to V <sub>OUT</sub>  | -       | E2-1(*)          | E2-2(*) | μA         | ②       |
| Supply Current 2                           | I <sub>DD2</sub>   | Applied (output voltage+0.5) to V <sub>OUT</sub>   | -       | E3-1(*)          | E3-2(*) | μA         | ②       |
| Lx Switch ON Resistance                    | R <sub>SWON</sub>  | Same as I <sub>DD1</sub> , V <sub>Lx</sub> =0.4V (*3)  | -       | E4-1(*)          | E4-2(*) | Ω          | ②       |
| Lx Leak Current                            | I <sub>LxL</sub>   | Same as I <sub>DD2</sub> , V <sub>Lx</sub> =7V   | -       | -                | 1       | μA         | ③       |
| Duty Ratio                                 | DTY  | Same as I <sub>DD1</sub> , measure Lx waveform   | E7-1(*) | E7-2(*)          | E7-3(*) | %          | ②       |
| Duty Ratio 2                               | DTY2   | I <sub>OUT</sub> =1mA, measure Lx ON time.<br>Connect to external components                   | 48      | 56               | 64      | %          | ①       |
| Maximum Oscillation Frequency              | MAXf <sub>OSC</sub>  | Same as I <sub>DD1</sub>   | 85      | 100              | 115     | kHz        | ②       |
| Maximum Oscillation Frequency 2            | MAXf <sub>OSC2</sub>   | Same as I <sub>DD1</sub>   | 153     | 180              | 207     | kHz        | ②       |
| Lx Limit Voltage (*4)                      | V <sub>LxLMT</sub>   | Same as I <sub>DD1</sub> , V <sub>Lx</sub> when max. oscillation frequency is more than double | 0.7     | -                | 1.1     | V          | ②       |
| Efficiency (*5)                            | EFFI   | Connect to external components   | -       | E8(*)            | -       | %          | ①       |

Test condition : Unless otherwise specified, V<sub>IN</sub>=V<sub>OUT</sub> × 0.6, I<sub>OUT</sub><C1(\*)>, V<sub>pull</sub>=5.0V

NOTE:

- \*1: TOREX SBD, XBS104S14R-G is used, reverse current IR < 1 μA (when reverse voltage VR = 10V is applied), in case of using selected parts.
- \*2: Supply Current 1 is the value when the IC is constantly switching. In actual operation, the oscillator periodically switches, resulting in lower power consumption. Please refer to Input Current (I<sub>IN</sub>) under no load condition for the actual current, which is supplied from the input power supply (V<sub>IN</sub>).
- \*3: Lx switch ON resistance can be calculated by (V<sub>Lx</sub> × Rp) / (V<sub>pull</sub> - V<sub>Lx</sub>). \* Change V<sub>pull</sub> so that V<sub>Lx</sub> will become 0.4V.
- \*4: The Lx limit voltage function becomes stable when V<sub>OUT</sub> is over 2.0V.
- \*5: EFFI = [(output voltage] × (output current)] / [(input voltage) × (input current)] × 100
- \*6: Please be aware of the absolute maximum ratings of the external components.
- (\*): Please refer to the charts.

## ELECTRICAL CHARACTERISTICS (Continued)

XC9111Bxx1MR

Ta = 25°C

| PARAMETER                                  | SYMBOL   | CONDITIONS   | MIN.    | TYP.             | MAX.    | UNIT   | CIRCUIT |
|--|--|--|---------|------------------|---------|--------|---------|
| Output Voltage                             | V <sub>OUT</sub>   | Connected to external components   | × 0.975 | V <sub>OUT</sub> | × 1.025 | V      | ⑥       |
| Output Voltage Temperature Characteristics | $\frac{\Delta V_{OUT}}{\Delta V_{OUT} \cdot \Delta T_{opr}}$ | Connected to external components<br>- 40°C ≤ T <sub>opr</sub> ≤ 85°C         | -       | ± 100            | -       | ppm/°C | ⑥       |
| Maximum Input Voltage                      | V <sub>IN</sub>  |  | 10      | -                | -       | V      | -       |
| Operating Start Voltage                    | V <sub>ST1</sub>   | I <sub>OUT</sub> =1mA, Connected to external components                      | -       | 0.8              | 0.9     | V      | ⑥       |
| Oscillation Start Voltage                  | V <sub>ST2</sub>   | Applied 0.8V to V <sub>OUT</sub>   | -       | -                | 0.8     | V      | ⑦       |
| Operation Hold Voltage                     | V <sub>HLD</sub>   | I <sub>OUT</sub> =1mA,<br>Connected to external components                   | 0.7     | -                | -       | V      | ⑥       |
| Supply Current 1 (*1)                      | I <sub>DD1</sub>   | Applied (output voltage × 0.95) to V <sub>OUT</sub>                          | -       | E2-1(*)          | E2-2(*) | μA     | ⑦       |
| Supply Current 2                           | I <sub>DD2</sub>   | Applied (output voltage+0.5) to V <sub>OUT</sub>                             | -       | E3-1(*)          | E3-2(*) | μA     | ⑦       |
| EXT 'H' ON Resistance                      | R <sub>EXTH</sub>  | Same as I <sub>DD1</sub> , V <sub>EXT</sub> =V <sub>OUT</sub> -0.4V (*2)     | -       | E5-1(*)          | E5-2(*) | Ω      | ②       |
| EXT 'L' ON Resistance                      | R <sub>EXTL</sub>  | Same as I <sub>DD1</sub> , V <sub>EXT</sub> =0.4V (*3)                       | -       | E6-1(*)          | E6-2(*) | Ω      | ②       |
| Duty Ratio                                 | DTY  | Same as I <sub>DD1</sub> , measure Lx waveform                               | E7-1(*) | E7-2(*)          | E7-3(*) | %      | ⑦       |
| Duty Ratio 2                               | DTY2   | I <sub>OUT</sub> =1mA, measure Lx ON time.<br>Connect to external components | 48      | 56               | 64      | %      | ⑥       |
| Maximum Oscillation Frequency              | MAX <sub>f<sub>OSC</sub></sub>                               | Same as I <sub>DD1</sub>   | 85      | 100              | 115     | kHz    | ⑦       |
| Maximum Oscillation Frequency 2            | MAX <sub>f<sub>OSC2</sub></sub>                              | Same as I <sub>DD1</sub>   | 153     | 180              | 207     | kHz    | ⑦       |
| Efficiency (*4)                            | EFFI   | Connect to external components   | -       | E9(*)            | -       | %      | ⑥       |

Test condition : Unless otherwise specified, V<sub>IN</sub>=V<sub>OUT</sub> × 0.6, I<sub>OUT</sub>=<C1(\*)>

NOTE:

\*1: Supply Current 1 is the value when the IC is constantly switching. In actual operation, the oscillator periodically switches, resulting in lower power consumption.

\*2: EXT 'H' ON resistance can be calculated by  $(0.4 \times R_p) / (V_{EXT} - V_{pull})$ . \* Change V<sub>pull</sub> so that V<sub>EXT</sub> will become V<sub>OUT</sub>-0.4V.

\*3: EXT 'L' ON resistance can be calculated by  $(V_{EXT} \times R_p) / (V_{pull} - V_{EXT})$ . \* Change V<sub>pull</sub> so that V<sub>EXT</sub> will become 0.4V.

\*4: EFFI =  $\{[\text{output voltage}] \times (\text{output current})\} / \{[\text{input voltage}] \times (\text{input current})\} \times 100$

\*5: Please be aware of the absolute maximum ratings of the external components.

(\*): Please refer to the charts.



## ■ ELECTRICAL CHARACTERISTICS (Continued)

XC9110Cxx1MR, XC9111Cxx1MR

Ta = 25°C

| PARAMETER                                  | SYMBOL   | CONDITIONS   | MIN.    | TYP.             | MAX.    | UNIT   | CIRCUIT |
|--|--|--|---------|------------------|---------|--------|---------|
| Output Voltage                             | V <sub>OUT</sub>   | Connect to external components   | × 0.975 | V <sub>OUT</sub> | × 1.025 | V      | ①       |
| Output Voltage Temperature Characteristics | $\frac{\Delta V_{OUT}}{\Delta V_{OUT} \cdot \Delta T_{opr}}$ | Connect to external components<br>- 40°C ≤ T <sub>opr</sub> ≤ 85°C                     | -       | ± 100            | -       | ppm/°C | ①       |
| Maximum Input Voltage                      | V <sub>IN</sub>  |  | 10      | -                | -       | V      | ①       |
| Operation Start Voltage                    | V <sub>ST1</sub>   | I <sub>OUT</sub> =1mA, connect to external components                                  | -       | 0.8              | 0.9     | V      | ①       |
| Oscillation Start Voltage                  | V <sub>ST2</sub>   | Applied 0.8V to V <sub>OUT</sub> , V <sub>pull</sub> =1.0V                             | -       | -                | 0.8     | V      | ②       |
| Operation Hold Voltage                     | V <sub>HLD</sub>   | I <sub>OUT</sub> =1mA, connect to external components                                  | 0.7     | -                | -       | V      | ①       |
| Input Current                              | I <sub>IN</sub>  | I <sub>OUT</sub> =0mA (*1)   | -       | E1-1(*)          | E1-2(*) | μA     | ①       |
| Supply Current 1 (*2)                      | I <sub>DD1</sub>   | Applied (output voltage × 0.95) to V <sub>OUT</sub>                                    | -       | E2-1(*)          | E2-2(*) | μA     | ②       |
| Supply Current 2                           | I <sub>DD2</sub>   | Applied (output voltage + 0.5V) to V <sub>OUT</sub>                                    | -       | E3-1(*)          | E3-2(*) | μA     | ②       |
| Lx Switch ON Resistance                    | R <sub>SWON</sub>  | Same as I <sub>DD1</sub> , V <sub>Lx</sub> =0.4V (*3)                                  | -       | E4-1(*)          | E4-2(*) | Ω      | ②       |
| Lx Leak Current                            | I <sub>LxL</sub>   | Same as I <sub>DD2</sub> , V <sub>Lx</sub> =7V   | -       | -                | 1       | μA     | ③       |
| Duty Ratio                                 | DTY  | Same as I <sub>DD1</sub> , measure Lx waveform   | E7-1(*) | E7-2(*)          | E7-3(*) | %      | ②       |
| Duty Ratio 2                               | DTY2   | I <sub>OUT</sub> =1mA, measure Lx ON time (XC9111 only) Connect to external components | 48      | 56               | 64      | %      | ①       |
| Maximum Oscillation Frequency              | MAX <sub>f<sub>OSC</sub></sub>                               | Same as I <sub>DD1</sub>   | 85      | 100              | 115     | kHz    | ②       |
| Maximum Oscillation Frequency 2            | MAX <sub>f<sub>OSC2</sub></sub>                              | Same as I <sub>DD1</sub> (XC9111 only)   | 153     | 180              | 207     | kHz    | ②       |
| Stand-by Current                           | I <sub>STB</sub>   | Same as I <sub>DD1</sub> , V <sub>CE</sub> =0V   | -       | -                | 0.50    | μA     | ④       |
| CE "High" Voltage                          | V <sub>CEH</sub>   | Same as I <sub>DD1</sub> , determine Lx oscillation                                    | 0.75    | -                | -       | V      | ④       |
| CE "Low" Voltage                           | V <sub>CEL</sub>   | Same as I <sub>DD1</sub> , determine Lx shut-down                                      | -       | -                | 0.20    | V      | ④       |
| CE "High" Current                          | I <sub>CEH</sub>   | Same as I <sub>DD1</sub> , V <sub>CE</sub> =V <sub>OUT</sub> × 0.95                    | -       | -                | 0.25    | μA     | ⑤       |
| CE "Low" Current                           | I <sub>CEL</sub>   | Same as I <sub>DD1</sub> , V <sub>CE</sub> =0V   | -       | -                | -0.25   | μA     | ⑤       |
| Lx Limit Voltage (*4)                      | V <sub>LxLMT</sub>   | Same as I <sub>DD1</sub> , when max. oscillation frequency is more than double.        | 0.7     | -                | 1.1     | V      | ②       |
| Efficiency (*5)                            | EFFI   | Connect to external components   | -       | E8(*)            | -       | %      | ①       |

Test condition : Unless otherwise specified, connect CE to V<sub>OUT</sub>, V<sub>IN</sub>=V<sub>OUT</sub> × 0.6, I<sub>OUT</sub>=<C1(\*)>, V<sub>pull</sub>=5.0V

NOTE:

\*1: TOREX SD, XBS104S14R-G is used, reverse current I<sub>R</sub> < 1 μA (when reverse voltage V<sub>R</sub> = 10V is applied), in case of using selected parts.

\*2: Supply Current 1 is the value when the IC is constantly switching. In actual operation, the oscillator periodically switches, resulting in lower power consumption. Please refer to Input Current (I<sub>IN</sub>) under no load condition for the actual current, which is supplied from the input power supply (V<sub>IN</sub>).

\*3: Lx switch ON resistance can be calculated by (V<sub>Lx</sub> × R<sub>p</sub>) / (V<sub>pull</sub> - V<sub>Lx</sub>). \* Change V<sub>pull</sub> so that V<sub>Lx</sub> will become 0.4V.

\*4: The Lx. limit voltage function becomes stable when V<sub>OUT</sub> of the XC9110/9111 series is over 2.0V.

\*5: EFFI = [(output voltage) × (output current)] / [(input voltage) × (input current)] × 100

\*6: Please be aware of the absolute maximum ratings of the external components.

(\*): Please refer to the charts.

## ELECTRICAL CHARACTERISTICS (Continued)

XC9110Dxx1MR, XC9111Dxx1MR

Ta = 25°C

| PARAMETER                                  | SYMBOL   | CONDITIONS   | MIN.    | TYP.             | MAX.    | UNIT   | CIRCUIT |
|--|--|--|---------|------------------|---------|--------|---------|
| Output Voltage                             | V <sub>OUT</sub>   | Connect to external components   | × 0.975 | V <sub>OUT</sub> | × 1.025 | V      | ⑥       |
| Output Voltage Temperature Characteristics | $\frac{\Delta V_{OUT}}{\Delta V_{OUT} \cdot \Delta T_{opr}}$ | Connect to external components<br>- 40°C ≤ T <sub>opr</sub> ≤ 85°C                     | -       | ± 100            | -       | ppm/°C | ⑥       |
| Maximum Input Voltage                      | V <sub>IN</sub>  |  | 10      | -                | -       | V      | -       |
| Operation Start Voltage                    | V <sub>ST1</sub>   | I <sub>OUT</sub> =1mA, connect to external components                                  | -       | 0.8              | 0.9     | V      | ⑥       |
| Oscillation Start Voltage                  | V <sub>ST2</sub>   | Applied 0.8V to V <sub>OUT</sub>   | -       | -                | 0.8     | V      | ⑦       |
| Operation Hold Voltage                     | V <sub>HLD</sub>   | I <sub>OUT</sub> =1mA, connect to external components                                  | 0.7     | -                | -       | V      | ⑥       |
| Supply Current 1 (*1)                      | I <sub>DD1</sub>   | Applied (output voltage × 0.95) to V <sub>OUT</sub>                                    | -       | E2-1(*)          | E2-2(*) | μA     | ⑦       |
| Supply Current 2                           | I <sub>DD2</sub>   | Applied (output voltage + 0.5V) to V <sub>OUT</sub>                                    | -       | E3-1(*)          | E3-2(*) | μA     | ⑦       |
| EXT H ON Resistance                        | R <sub>EXTH</sub>  | Same as I <sub>DD1</sub> , V <sub>EXT</sub> =V <sub>OUT</sub> -0.4(*2)                 | -       | E5-1(*)          | E5-2(*) | Ω      | ②       |
| EXT L ON Resistance                        | R <sub>EXTL</sub>  | Same as I <sub>DD1</sub> , V <sub>EXT</sub> =0.4V(*3)                                  | -       | E6-1(*)          | E6-2(*) | Ω      | ②       |
| Duty Ratio                                 | DTY  | Same as I <sub>DD1</sub> , measure Lx waveform   | E7-1(*) | E7-2(*)          | E7-3(*) | %      | ⑦       |
| Duty Ratio 2                               | DTY2   | I <sub>OUT</sub> =1mA, measure Lx ON time (XC9111 only) Connect to external components | 48      | 56               | 64      | %      | ⑥       |
| Maximum Oscillation                        | MAX <sub>f<sub>OSC</sub></sub>                               | Same as I <sub>DD1</sub>   | 85      | 100              | 115     | kHz    | ⑦       |
| Maximum Oscillation                        | MAX <sub>f<sub>OSC2</sub></sub>                              | Same as I <sub>DD1</sub> (XC9111 only)   | 153     | 180              | 207     | kHz    | ⑦       |
| Standby Current                            | I <sub>STB</sub>   | Same as I <sub>DD1</sub> , V <sub>CE</sub> =0V   | -       | -                | 0.50    | μA     | ⑤       |
| CE "High" Voltage                          | V <sub>CEH</sub>   | Same as I <sub>DD1</sub> , determine Lx oscillation                                    | 0.75    | -                | -       | V      | ⑧       |
| CE "Low" Voltage                           | V <sub>CEL</sub>   | Same as I <sub>DD1</sub> , determine Lx shut-down                                      | -       | -                | 0.20    | V      | ⑧       |
| CE "High" Current                          | I <sub>CEH</sub>   | Same as I <sub>DD1</sub> , V <sub>CE</sub> =V <sub>OUT</sub> × 0.95                    | -       | -                | 0.25    | μA     | ⑤       |
| CE "Low" Current                           | I <sub>CEL</sub>   | Same as I <sub>DD1</sub> , V <sub>CE</sub> =0V   | -       | -                | -0.25   | μA     | ⑤       |
| Efficiency (*4)                            | EFFI   | Connect to external components   | -       | E9(*)            | -       | %      | ⑥       |

Test condition : Unless otherwise specified, connect CE to V<sub>OUT</sub>, V<sub>IN</sub>=V<sub>OUT</sub> × 0.6, I<sub>OUT</sub>=<C1(\*)>

NOTE:

\*1: "Supply Current 1" is the value when the IC is constantly switching. In actual operation, the oscillator periodically switches, resulting in lower power consumption.

\*2: EXT H ON resistance can be calculated by  $(0.4 \times R_p) / (V_{EXT} - V_{pull})$ . \* Change V<sub>pull</sub> so that V<sub>EXT</sub> will become V<sub>OUT</sub>-0.4V.

\*3: EXT L ON resistance can be calculated by  $(V_{EXT} \times R_p) / (V_{pull} - V_{EXT})$ . \* Change V<sub>pull</sub> so that V<sub>EXT</sub> will become 0.4V.

\*4: EFFI={ [output voltage] × (output current) } / [ (input voltage) × (input current) ] × 100

\*5: Please be aware of the absolute maximum ratings of the external components.

(\*): Please refer to the charts.

## ■ ELECTRICAL CHARACTERISTICS (Continued)

XC9110Exx1MR, XC9111Exx1MR

Ta = 25°C

| PARAMETER                                  | SYMBOL   | CONDITIONS  | MIN.    | TYP.             | MAX.    | UNIT   | CIRCUIT |
|--|--|---|---------|------------------|---------|--------|---------|
| Output Voltage                             | V <sub>OUT</sub>   | Connect to external components  | × 0.975 | V <sub>OUT</sub> | × 1.025 | V      | ①       |
| Output Voltage Temperature Characteristics | $\frac{\Delta V_{OUT}}{\Delta V_{OUT} \cdot \Delta T_{opr}}$ | Connect to external components<br>- 40°C ≤ T <sub>opr</sub> ≤ 85°C                              | -       | ± 100            | -       | ppm/°C | ①       |
| Maximum Input Voltage                      | V <sub>IN</sub>  |   | 10      | -                | -       | V      | -       |
| Operation Start Voltage                    | V <sub>ST1</sub>   | I <sub>OUT</sub> =1mA, connect to external components   | -       | 0.8              | 0.9     | V      | ①       |
| Oscillation Start Voltage                  | V <sub>ST2</sub>   | Applied 0.8V to V <sub>OUT</sub> , V <sub>PULL</sub> =1.0V                                      | -       | -                | 0.8     | V      | ②       |
| Operation Hold Voltage                     | V <sub>HLD</sub>   | I <sub>OUT</sub> =1mA, connect to external components   | 0.7     | -                | -       | V      | ①       |
| Input Current                              | I <sub>IN</sub>  | I <sub>OUT</sub> =0mA (*1)  | -       | E1-1(*)          | E1-2(*) | μA     | ①       |
| Supply Current 1 (*2)                      | I <sub>DD1</sub>   | Applied (output voltage × 0.95) to V <sub>OUT</sub>   | -       | E2-1(*)          | E2-2(*) | μA     | ②       |
| Supply Current 2                           | I <sub>DD2</sub>   | Applied (output voltage + 0.5V) to V <sub>OUT</sub>   | -       | E3-1(*)          | E3-2(*) | μA     | ②       |
| Lx Switch ON Resistance                    | R <sub>SWON</sub>  | Same as I <sub>DD1</sub> , V <sub>LX</sub> =0.4V (*3)   | -       | E4-1(*)          | E4-2(*) | Ω      | ②       |
| Lx Leak Current                            | I <sub>LXL</sub>   | Same as I <sub>DD2</sub> , V <sub>LX</sub> =7V  | -       | -                | 1       | μA     | ③       |
| Duty Ratio                                 | DTY  | Same as I <sub>DD1</sub> , measure Lx waveform  | E7-1(*) | E7-2(*)          | E7-3(*) | %      | ②       |
| Duty Ratio 2                               | DTY2   | I <sub>OUT</sub> =1mA, measure Lx ON time (XC9111 only) Connect to external components          | 48      | 56               | 64      | %      | ①       |
| Maximum Oscillation                        | MAX <sub>fOSC</sub>  | Same as I <sub>DD1</sub>  | 85      | 100              | 115     | kHz    | ②       |
| Maximum Oscillation                        | MAX <sub>fOSC2</sub>   | Same as I <sub>DD1</sub> (XC9111 only)  | 153     | 180              | 207     | kHz    | ②       |
| Lx Limit Voltage (*4)                      | V <sub>LXLMT</sub>   | Same as I <sub>DD1</sub> , V <sub>LX</sub> when max. oscillation frequency is more than double. | 0.7     | -                | 1.1     | V      | ②       |
| Efficiency (*5)                            | EFFI   | Connect to external components  | -       | E8(*)            | -       | %      | ①       |

Test condition : Unless otherwise specified, connect V<sub>DD</sub> to V<sub>OUT</sub>, V<sub>IN</sub>=V<sub>OUT</sub> × 0.6, I<sub>OUT</sub>=<C1(\*)>, V<sub>PULL</sub>=5.0V

### NOTE:

\*1: TOREX SD, XBS104S14R-G is used; reverse current I<sub>R</sub> < 1 μA (when reverse voltage V<sub>R</sub> = 10V is applied), in case of using selected parts.

\*2: "Supply Current 1" is the value when the IC is constantly switching. In actual operation, the oscillator periodically switches, resulting in lower power consumption. Please refer to Input Current (I<sub>IN</sub>) under no load condition for the actual current, which is supplied from the input power supply (V<sub>IN</sub>).

\*3: Lx switch ON resistance can be calculated by (V<sub>LX</sub> × R<sub>p</sub>) / (V<sub>PULL</sub> - V<sub>LX</sub>). \* Change V<sub>PULL</sub> so that V<sub>LX</sub> will become 0.4V.

\*4: The Lx limit voltage function becomes stable when V<sub>OUT</sub> of the XC9110/9111 series is over 2.0V.

\*5: EFFI={ [output voltage] × (output current) } / [ (input voltage) × (input current) ] × 100

\*6: When using V<sub>DD</sub> and V<sub>OUT</sub> separately, please set the voltage range of V<sub>DD</sub> from 1.5V to 10V.

The IC operates from V<sub>DD</sub>=0.8V, but output voltage and oscillation frequency will be stable when V<sub>DD</sub>=1.5V or more.

\*7: Please be aware of the absolute maximum ratings of the external components.

(\*): Please refer to the charts.

## ■ ELECTRICAL CHARACTERISTICS (Continued)

XC9110Fxx1MR, XC9111Fxx1MR

Ta = 25°C

| PARAMETER                                  | SYMBOL   | CONDITIONS  | MIN.    | TYP.             | MAX.    | UNIT   | CIRCUIT |
|--|--|---|---------|------------------|---------|--------|---------|
| Output Voltage                             | V <sub>OUT</sub>   | Connect to external components  | × 0.975 | V <sub>OUT</sub> | × 1.025 | V      | ⑥       |
| Output Voltage Temperature Characteristics | $\frac{\Delta V_{OUT}}{\Delta V_{OUT} \cdot \Delta T_{opr}}$ | Connect to external components<br>- 40°C ≤ T <sub>opr</sub> ≤ 85°C          | -       | ± 100            | -       | ppm/°C | ⑥       |
| Maximum Input Voltage                      | V <sub>IN</sub>  |   | 10      | -                | -       | V      | -       |
| Operation Start Voltage                    | V <sub>ST1</sub>   | I <sub>OUT</sub> =1mA, connect to external components                       | -       | 0.8              | 0.9     | V      | ⑥       |
| Oscillation Start Voltage                  | V <sub>ST2</sub>   | Applied 0.8V to V <sub>OUT</sub>  | -       | -                | 0.8     | V      | ⑦       |
| Operation Hold Voltage                     | V <sub>HLD</sub>   | I <sub>OUT</sub> =1mA, connect to external components                       | 0.7     | -                | -       | V      | ⑥       |
| Supply Current 1 (*1)                      | I <sub>DD1</sub>   | Applied (output voltage × 0.95) to V <sub>OUT</sub>                         | -       | E2-1(*)          | E2-2(*) | μA     | ⑦       |
| Supply Current 2                           | I <sub>DD2</sub>   | Applied (output voltage + 0.5V) to V <sub>OUT</sub>                         | -       | E3-1(*)          | E3-2(*) | μA     | ⑦       |
| EXT H ON Resistance                        | R <sub>EXTH</sub>  | Same as I <sub>DD1</sub> , V <sub>EXT</sub> =V <sub>OUT</sub> -0.4V (*2)    | -       | E5-1(*)          | E5-2(*) | Ω      | ②       |
| EXT L ON Resistance                        | R <sub>EXTL</sub>  | Same as I <sub>DD1</sub> , V <sub>EXT</sub> =0.4V (*3)                      | -       | E6-1(*)          | E6-2(*) | Ω      | ②       |
| Duty Ratio                                 | DTY  | Same as I <sub>DD1</sub> , measure Lx waveform                              | E7-1(*) | E7-2(*)          | E7-3(*) | %      | ⑦       |
| Duty Ratio 2                               | DTY2   | I <sub>OUT</sub> =1mA, measure Lx ON time (XC9111 only) Connect to external | 48      | 56               | 64      | %      | ⑥       |
| Maximum Oscillation                        | MAX <sub>f<sub>OSC</sub></sub>                               | Same as I <sub>DD1</sub>  | 85      | 100              | 115     | kHz    | ⑦       |
| Maximum Oscillation                        | MAX <sub>f<sub>OSC</sub>2</sub>                              | Same as I <sub>DD1</sub> (XC9111 only)                                      | 153     | 180              | 207     | kHz    | ⑦       |
| Efficiency (*4)                            | EFFI   | Connect to external components  | -       | E9(*)            | -       | %      | ⑥       |

Test condition : Unless otherwise specified, connect V<sub>DD</sub> to V<sub>OUT</sub>, V<sub>IN</sub>=V<sub>OUT</sub> × 0.6, I<sub>OUT</sub>=<C1(\*)>

NOTE:

\*1: "Supply Current 1" is the value when the IC is constantly switching. In actual operation, the oscillator periodically switches, resulting in lower power consumption.

\*2: EXT H ON resistance can be calculated by (0.4 × R<sub>p</sub>) / (V<sub>EXT</sub> - V<sub>pull</sub>). \* Change V<sub>pull</sub> so that V<sub>EXT</sub> will become V<sub>OUT</sub>-0.4V.

\*3: EXT L ON resistance can be calculated by (V<sub>EXT</sub> × R<sub>p</sub>) / (V<sub>pull</sub> - V<sub>EXT</sub>). \* Change V<sub>pull</sub> so that V<sub>EXT</sub> will become 0.4V.

\*4: EFFI = { [output voltage] × [output current] } / { [input voltage] × [input current] } × 100

\*5: When using V<sub>DD</sub> and V<sub>OUT</sub> separately, please set the voltage range of V<sub>DD</sub> from 1.5V to 10V.

The IC operates from V<sub>DD</sub>=0.8V, but output voltage and oscillation frequency will be stable when V<sub>DD</sub>=1.5V or more.

\*6: Please be aware of the absolute maximum ratings of the external components.

(\*): Please refer to the charts.

## ■ ELECTRICAL CHARACTERISTICS (Continued)

● I<sub>DD2</sub>, R<sub>EXTH</sub>, R<sub>EXTL</sub>, DTY Chart

| SYMBOL             | E2-1             | E2-2 | E1-1                       | E1-2 | E3-1             | E3-2 | E4-1                       | E4-2 | E5-1                   | E5-2 | E6-1                   | E6-2 |
|--------------------|------------------|------|----------------------------|------|------------------|------|----------------------------|------|------------------------|------|------------------------|------|
| PARAMETER          | Supply Current 1 |      | Input Current<br>(No Load) |      | Supply Current 2 |      | Lx Switch<br>ON Resistance |      | EXT H<br>ON Resistance |      | EXT L<br>ON Resistance |      |
| UNIT               | (μA)             |      | (μA)                       |      | (μA)             |      | (Ω)                        |      | (Ω)                    |      | (Ω)                    |      |
| SETTING<br>VOLTAGE | I <sub>DD1</sub> |      | I <sub>IN</sub>            |      | I <sub>DD2</sub> |      | R <sub>SWON</sub>          |      | R <sub>EXTH</sub>      |      | R <sub>EXTL</sub>      |      |
|                    | TYP.             | MAX. | TYP.                       | MAX. | TYP.             | MAX. | TYP.                       | MAX. | TYP.                   | MAX. | TYP.                   | MAX. |
| 1.5                | 7.7              | 15.1 | 4.3                        | 8.6  | 1.9              | 3.5  | 4.2                        | 6.3  | 160                    | 240  | 67                     | 101  |
| 1.6                | 8.0              | 15.6 |                            |      |                  |      |                            |      |                        |      |                        |      |
| 1.7                | 8.3              | 16.2 |                            |      |                  |      |                            |      |                        |      |                        |      |
| 1.8                | 8.6              | 16.8 |                            |      |                  |      |                            |      |                        |      |                        |      |
| 1.9                | 8.9              | 17.5 |                            |      |                  |      |                            |      |                        |      |                        |      |
| 2.0                | 9.3              | 18.2 |                            |      |                  |      |                            |      |                        |      |                        |      |
| 2.1                | 9.7              | 18.9 | 4.4                        | 8.8  | 2.0              | 4.0  | 3.2                        | 4.8  | 91                     | 137  | 45                     | 68   |
| 2.2                | 10.1             | 19.7 |                            |      |                  |      |                            |      |                        |      |                        |      |
| 2.3                | 10.5             | 20.6 |                            |      |                  |      |                            |      |                        |      |                        |      |
| 2.4                | 11.0             | 21.5 |                            |      |                  |      |                            |      |                        |      |                        |      |
| 2.5                | 11.5             | 22.5 |                            |      |                  |      |                            |      |                        |      |                        |      |
| 2.6                | 12.0             | 23.5 |                            |      |                  |      |                            |      |                        |      |                        |      |
| 2.7                | 12.5             | 24.5 | 4.6                        | 9.3  | 2.1              | 4.2  | 2.8                        | 4.2  | 70                     | 105  | 38                     | 57   |
| 2.8                | 13.1             | 25.6 |                            |      |                  |      |                            |      |                        |      |                        |      |
| 2.9                | 13.7             | 26.8 |                            |      |                  |      |                            |      |                        |      |                        |      |
| 3.0                | 14.3             | 28.0 |                            |      |                  |      |                            |      |                        |      |                        |      |
| 3.1                | 15.0             | 29.3 |                            |      |                  |      |                            |      |                        |      |                        |      |
| 3.2                | 15.7             | 30.6 |                            |      |                  |      |                            |      |                        |      |                        |      |
| 3.3                | 16.4             | 31.9 | 4.7                        | 9.5  | 2.2              | 4.3  | 2.5                        | 3.8  | 59                     | 89   | 33                     | 50   |
| 3.4                | 17.1             | 33.3 |                            |      |                  |      |                            |      |                        |      |                        |      |
| 3.5                | 17.8             | 34.8 |                            |      |                  |      |                            |      |                        |      |                        |      |
| 3.6                | 18.6             | 36.3 |                            |      |                  |      |                            |      |                        |      |                        |      |
| 3.7                | 19.4             | 37.9 |                            |      |                  |      |                            |      |                        |      |                        |      |
| 3.8                | 20.3             | 39.5 |                            |      |                  |      |                            |      |                        |      |                        |      |
| 3.9                | 21.1             | 41.1 | 5.0                        | 10.0 | 2.3              | 4.4  | 2.1                        | 3.2  | 40                     | 60   | 24                     | 36   |
| 4.0                | 22.0             | 42.8 |                            |      |                  |      |                            |      |                        |      |                        |      |
| 4.1                | 22.9             | 44.5 |                            |      |                  |      |                            |      |                        |      |                        |      |
| 4.2                | 23.8             | 46.3 |                            |      |                  |      |                            |      |                        |      |                        |      |
| 4.3                | 24.8             | 48.2 |                            |      |                  |      |                            |      |                        |      |                        |      |
| 4.4                | 25.7             | 50.0 |                            |      |                  |      |                            |      |                        |      |                        |      |
| 4.5                | 26.7             | 52.0 |                            |      |                  |      |                            |      |                        |      |                        |      |
| 4.6                | 27.7             | 53.9 | 5.1                        | 10.2 | 2.4              | 4.5  | 2.1                        | 3.2  | 40                     | 60   | 24                     | 36   |
| 4.7                | 28.8             | 56.0 |                            |      |                  |      |                            |      |                        |      |                        |      |
| 4.8                | 29.8             | 58.0 |                            |      |                  |      |                            |      |                        |      |                        |      |
| 4.9                | 30.9             | 60.1 |                            |      |                  |      |                            |      |                        |      |                        |      |
| 5.0                | 31.7             | 63.4 |                            |      |                  |      |                            |      |                        |      |                        |      |
| 5.1                | 32.3             | 64.7 |                            |      |                  |      |                            |      |                        |      |                        |      |
| 5.2                | 32.9             | 65.9 | 5.2                        | 10.4 | 2.5              | 4.6  | 2.1                        | 3.2  | 40                     | 60   | 24                     | 36   |
| 5.3                | 33.5             | 67.1 |                            |      |                  |      |                            |      |                        |      |                        |      |
| 5.4                | 34.1             | 68.3 |                            |      |                  |      |                            |      |                        |      |                        |      |
| 5.5                | 34.7             | 69.5 |                            |      |                  |      |                            |      |                        |      |                        |      |
| 5.6                | 35.3             | 70.7 |                            |      |                  |      |                            |      |                        |      |                        |      |
| 5.7                | 36.0             | 72.0 |                            |      |                  |      |                            |      |                        |      |                        |      |
| 5.8                | 36.5             | 73.1 | 5.3                        | 10.6 | 2.6              | 4.7  | 2.1                        | 3.2  | 40                     | 60   | 24                     | 36   |
| 5.9                | 37.1             | 74.3 |                            |      |                  |      |                            |      |                        |      |                        |      |
| 6.0                | 37.7             | 75.5 |                            |      |                  |      |                            |      |                        |      |                        |      |
| 6.1                | 38.4             | 76.8 |                            |      |                  |      |                            |      |                        |      |                        |      |
| 6.2                | 38.9             | 77.9 |                            |      |                  |      |                            |      |                        |      |                        |      |
| 6.3                | 39.5             | 79.1 |                            |      |                  |      |                            |      |                        |      |                        |      |
| 6.4                | 40.2             | 80.4 | 5.4                        | 10.8 | 2.7              | 4.8  | 2.1                        | 3.2  | 40                     | 60   | 24                     | 36   |
| 6.5                | 40.8             | 81.6 |                            |      |                  |      |                            |      |                        |      |                        |      |
| 6.6                | 41.3             | 82.7 |                            |      |                  |      |                            |      |                        |      |                        |      |
| 6.7                | 42.0             | 84.0 |                            |      |                  |      |                            |      |                        |      |                        |      |
| 6.8                | 42.6             | 85.2 |                            |      |                  |      |                            |      |                        |      |                        |      |
| 6.9                | 43.2             | 86.4 |                            |      |                  |      |                            |      |                        |      |                        |      |
| 7.0                | 43.7             | 87.5 |                            |      |                  |      |                            |      |                        |      |                        |      |

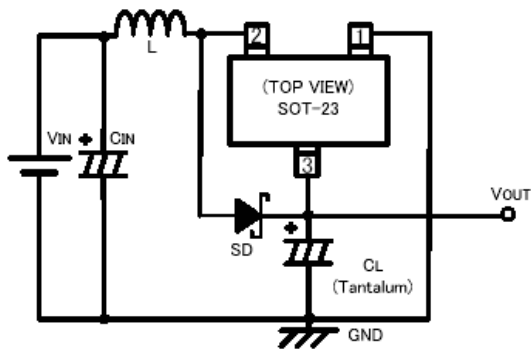
## ■ ELECTRICAL CHARACTERISTICS (Continued)

● I<sub>OUT</sub>, DTY, EFFI Chart

| SYMBOL          | C1               | E7-1       | E7-2 | E7-3 | E8         |        | E9     |        |
|-----------------|------------------|------------|------|------|------------|--------|--------|--------|
| PARAMETER       | OUTPUT CURRENT   | DUTY RATIO |      |      | EFFICIENCY |        |        |        |
|                 |                  |            |      |      | XC9110     | XC9111 | XC9110 | XC9111 |
| UNIT            | (mA)             | (%)        |      |      | (%)        |        |        |        |
| SETTING VOLTAGE | I <sub>OUT</sub> | DTY        |      |      | EFFI       |        |        |        |
|                 |                  | MIN.       | TYP. | MAX. | TYP.       |        |        |        |
| 1.5             | 7.5              | 70         | 75   | 80   | 60         | 75     | 60     | 75     |
| 1.6             | 8.0              |            |      |      |            |        |        |        |
| 1.7             | 8.5              |            |      |      |            |        |        |        |
| 1.8             | 9.0              |            |      |      |            |        |        |        |
| 1.9             | 9.5              |            |      |      |            |        |        |        |
| 2.0             | 10.0             |            |      |      |            |        |        |        |
| 2.1             | 10.5             |            |      |      |            |        |        |        |
| 2.2             | 11.0             |            |      |      |            |        |        |        |
| 2.3             | 11.5             |            |      |      |            |        |        |        |
| 2.4             | 12.0             |            |      |      |            |        |        |        |
| 2.5             | 12.5             |            |      |      |            |        |        |        |
| 2.6             | 13.0             |            |      |      |            |        |        |        |
| 2.7             | 13.5             |            |      |      |            |        |        |        |
| 2.8             | 14.0             |            |      |      |            |        |        |        |
| 2.9             | 14.5             |            |      |      |            |        |        |        |
| 3.0             | 30.0             |            |      |      |            |        |        |        |
| 3.1             | 31.0             |            |      |      |            |        |        |        |
| 3.2             | 32.0             |            |      |      |            |        |        |        |
| 3.3             | 33.0             |            |      |      |            |        |        |        |
| 3.4             | 34.0             |            |      |      |            |        |        |        |
| 3.5             | 35.0             |            |      |      |            |        |        |        |
| 3.6             | 36.0             |            |      |      |            |        |        |        |
| 3.7             | 37.0             |            |      |      |            |        |        |        |
| 3.8             | 38.0             |            |      |      |            |        |        |        |
| 3.9             | 39.0             |            |      |      |            |        |        |        |
| 4.0             | 40.0             |            |      |      |            |        |        |        |
| 4.1             | 41.0             |            |      |      |            |        |        |        |
| 4.2             | 42.0             |            |      |      |            |        |        |        |
| 4.3             | 43.0             |            |      |      |            |        |        |        |
| 4.4             | 44.0             |            |      |      |            |        |        |        |
| 4.5             | 45.0             |            |      |      |            |        |        |        |
| 4.6             | 46.0             |            |      |      |            |        |        |        |
| 4.7             | 47.0             |            |      |      |            |        |        |        |
| 4.8             | 48.0             |            |      |      |            |        |        |        |
| 4.9             | 49.0             |            |      |      |            |        |        |        |
| 5.0             | 50.0             |            |      |      |            |        |        |        |
| 5.1             | 51.0             |            |      |      |            |        |        |        |
| 5.2             | 52.0             |            |      |      |            |        |        |        |
| 5.3             | 53.0             |            |      |      |            |        |        |        |
| 5.4             | 54.0             |            |      |      |            |        |        |        |
| 5.5             | 55.0             |            |      |      |            |        |        |        |
| 5.6             | 56.0             |            |      |      |            |        |        |        |
| 5.7             | 57.0             |            |      |      |            |        |        |        |
| 5.8             | 58.0             |            |      |      |            |        |        |        |
| 5.9             | 59.0             |            |      |      |            |        |        |        |
| 6.0             | 60.0             |            |      |      |            |        |        |        |
| 6.1             | 61.0             |            |      |      |            |        |        |        |
| 6.2             | 62.0             |            |      |      |            |        |        |        |
| 6.3             | 63.0             |            |      |      |            |        |        |        |
| 6.4             | 64.0             |            |      |      |            |        |        |        |
| 6.5             | 65.0             |            |      |      |            |        |        |        |
| 6.6             | 66.0             |            |      |      |            |        |        |        |
| 6.7             | 67.0             |            |      |      |            |        |        |        |
| 6.8             | 68.0             |            |      |      |            |        |        |        |
| 6.9             | 69.0             |            |      |      |            |        |        |        |
| 7.0             | 70.0             |            |      |      |            |        |        |        |

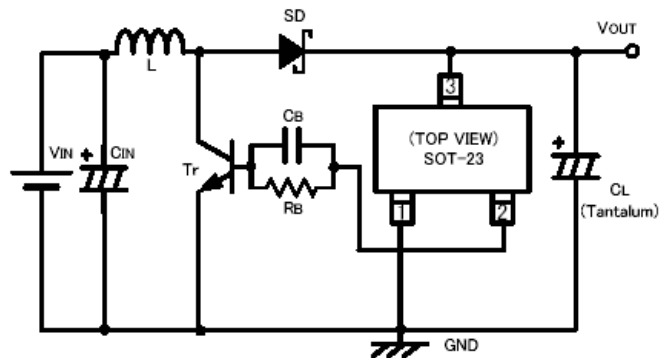
## TYPICAL APPLICATION CIRCUITS

●A type circuit



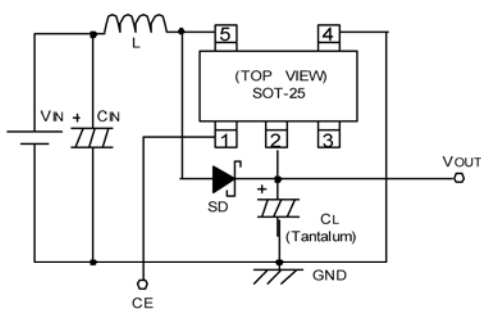
L: 100  $\mu$ H (Coil, CR54, SUMIDA)  
SD: XBS104S14R-G (Schottky type, TOREX)  
CL: 16V, 47  $\mu$ F (Tantalum)  
CIN: 16V, 47  $\mu$ F (Tantalum)

●B type circuit



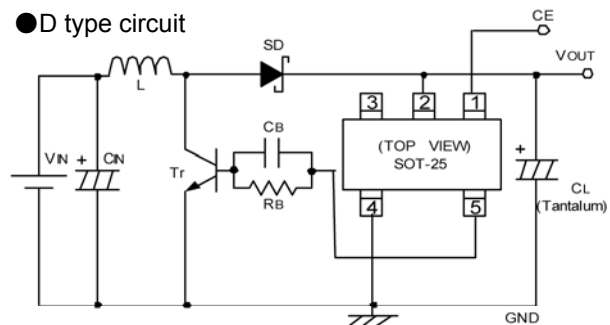
L: 47  $\mu$ H (Coil, CR54, SUMIDA)  
SD: XBS104S14R-G (Schottky type, TOREX)  
CL: 16V, 47  $\mu$ F (Tantalum)  
CIN: 16V, 47  $\mu$ F (Tantalum)  
RB: 500  $\Omega$   
CB: 2200pF  
Tr: 2SD1628

●C type circuit



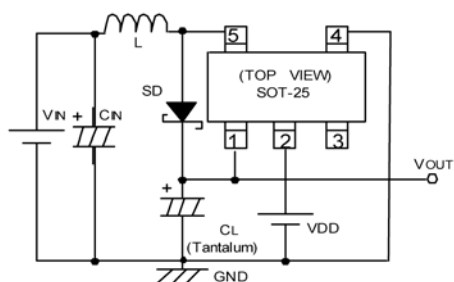
L: 100  $\mu$ H (Coil, CR54, SUMIDA)  
SD: XBS104S14R-G (Schottky type, TOREX)  
CL: 16V, 47  $\mu$ F (Tantalum)  
CIN: 16V, 47  $\mu$ F (Tantalum)

●D type circuit



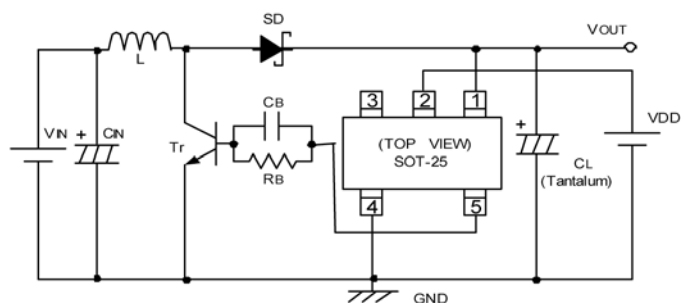
L: 47  $\mu$ H (Coil, CR54, SUMIDA)  
SD: XBS104S14R-G (Schottky type, TOREX)  
CL: 16V, 47  $\mu$ F (Tantalum)  
CIN: 16V, 47  $\mu$ F (Tantalum)  
RB: 500  $\Omega$   
CB: 2200pF  
Tr: 2SD1628 (SANYO)

●E type circuit



L: 100  $\mu$ H (Coil, CR54, SUMIDA)  
SD: XBS104S14R-G (Schottky type, TOREX)  
CL: 16V, 47  $\mu$ F (Tantalum)  
CIN: 16V, 47  $\mu$ F (Tantalum)

●F type circuit



L: 47  $\mu$ H (Coil, CR54, SUMIDA)  
SD: XBS104S14R-G (Schottky type, TOREX)  
CL: 16V, 47  $\mu$ F (Tantalum)  
CIN: 16V, 47  $\mu$ F (Tantalum)  
RB: 1k  $\Omega$   
CB: 3300pF  
Tr: 2SD1628 (SANYO)

## ■ OPERATIONAL EXPLANATION

The XC9110/9111 series are PFM controlled step-up DC/DC converter (A, C and E types) / controller ICs (B, D and F types), which contain voltage reference source, PFM comparator, duty selector, PFM controlled OSC, VLx Limiter, driver transistor and so on. With the XC9110 series, maximum duty ratio is set to 75% (maximum oscillation frequency=MAX<sub>f<sub>OSC</sub></sub>: 100kHz) making it suitable for use with large current operations. The XC9111 series automatically switches duty ratio between 56% (MAX<sub>f<sub>OSC</sub></sub>: 180kHz) and 75% (MAX<sub>f<sub>OSC</sub></sub>: 100kHz) when it senses changes in load and can support both large and small currents.

### <Reference Voltage Source (Vref) >

The reference voltage source provides the reference voltage to ensure stable output voltage of the DC/DC converter.

### < PFM Comparator >

The PFM comparator compares the feedback voltage divided by the internal split resistors with the internal reference voltage. When the feedback voltage is higher than the reference voltage, PFM controlled OSC will be stopped. When the feedback voltage is lower than the reference voltage, the PFM controlled OSC will be operated so that the output voltage will be stable by sending a signal to the buffer drive circuit and controlling the internal or external driver transistor.

### < Duty Selector >

With the XC9111 series, the duty selector automatically switches duty ratio between 56% and 75% when it senses changes in load and can support both large and small currents.

### < PFM Controlled Oscillator >

The PFM controlled OSC determines maximum oscillation frequency. The circuit generates the oscillation frequency of 100kHz at 75% duty and 180kHz at 56%.

### < VLx Limiter>

The VLx circuit of the XC9110/9111 A, C and D types detects in-rush current and overcurrent, which flows from the V<sub>OUT</sub> pin to the Lx pin during short-circuit. In overcurrent, the driver transistor will be OFF. When the overcurrent state is eliminated, the IC resumes its normal operation.

### <Chip Enable Function>

The chip enable function of the XC9110/9111 C and D types enables the IC to be in shut down mode when a low level signal is input to the CE pin. During the shut down mode, the current consumption will be reduced to 0.5  $\mu$  A (MAX.).

### <Separated V<sub>DD</sub>/V<sub>OUT</sub>>

With the separated V<sub>DD</sub> pin, the XC9110/9111 E and F types can be operated in both low and high voltage.



## EXTERNAL COMPONENTS

Tr.: \*Using a MOSFET

XP151A13A0MR-G (N-ch Power MOSFET, TOREX)

Note : V<sub>GS</sub> breakdown voltage of this Transistor is 8V so please be careful with the power supply voltage.

If the power supply voltage is over 6V, Please use the XP151A12A2MR-G with a V<sub>GS</sub> breakdown voltage of 12V.

\* Using a NPN Transistor

2SD1628 (SANYO)

R<sub>B</sub>: 500 Ω (Adjust in accordance with load and Tr's hFE.)

C<sub>B</sub>: 2200pF (Ceramic)

$C_B \leq 1 / (2TT \times R_B \times FOSC \times 0.7)$

### ● R<sub>B</sub> value example (when using NPN Transistor)

| V <sub>OUT</sub> (V) | I <sub>OUT</sub> (mA) | V <sub>IN</sub> (V) | R <sub>B</sub> (Ω) | V <sub>OUT</sub> (V) | I <sub>OUT</sub> (mA) | V <sub>IN</sub> (V) | R <sub>B</sub> (Ω) |
|----------------------|-----------------------|---------------------|--------------------|----------------------|-----------------------|---------------------|--------------------|
| 1.8                  | 10                    | 1.2                 | 4.5                | 3.3                  | 5                     | 1.2                 | 6.5                |
| 1.8                  | 10                    | 1.5                 | 6.0                | 3.3                  | 5                     | 1.5                 | 6.5                |
| 1.8                  | 30                    | 1.2                 | 2.0                | 3.3                  | 10                    | 1.2                 | 5.0                |
| 1.8                  | 30                    | 1.5                 | 2.0                | 3.3                  | 10                    | 1.5                 | 4.5                |
| 1.8                  | 50                    | 1.2                 | 1.2                | 3.3                  | 30                    | 1.2                 | 3.5                |
| 1.8                  | 50                    | 1.5                 | 1.5                | 3.3                  | 30                    | 1.5                 | 3.5                |

\* Tr.: 2SD1628

SD: XBS104S14R-G (TOREX)  
MA2Q735 (MATSUSHITA)

CL: 16V, 47 μF (Tantalum type, KYOCERA TAJ)

C<sub>IN</sub>: 16V, 47 μF (Tantalum type, KYOCERA TAJ)

16V, 220 μF (Electrolytic Capacitor)

L: <XC9110/9111A, C and E series (Transistor built-in)>

100 μH (CR54,SUMIDA)

100 μH (CDRH6D28,SUMIDA)

<XC9110/9111B, D and F series(Transistor external)>

22 μH, 47 μH

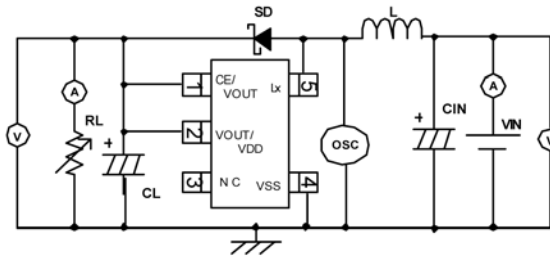
(CR54, SUMIDA)

## NOTES ON USE

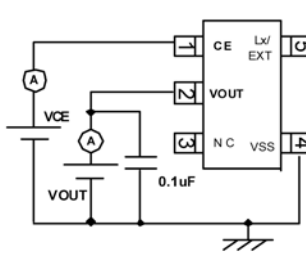
1. Please do not exceed the value of stated absolute maximum ratings.
2. The DC/DC converter / controller IC's performance is greatly influenced by not only the ICs' characteristics, but also by those of the external components. Care must be taken when selecting the external components.
3. The L<sub>x</sub> limit voltage function becomes stable when V<sub>OUT</sub> of the XC9110/9111C series is over 2.0V and the V<sub>DD</sub> of the XC9110/9111E series is over 2.0V.
4. Make sure that the PCB GND traces are as thick as possible, as variations in ground potential caused by high ground currents at the time of switching may result in instability of the IC.
5. Please mount each external component as close to the IC as possible and use thick, short connecting traces to reduce the circuit impedance.

## TEST CIRCUITS

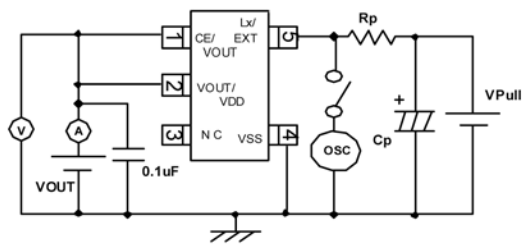
Circuit ①



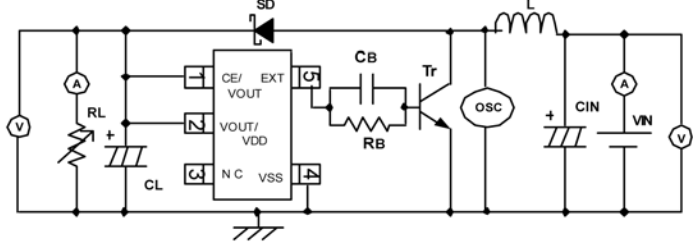
Circuit ⑤



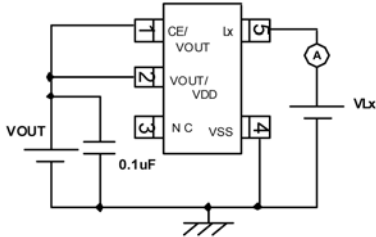
Circuit ②



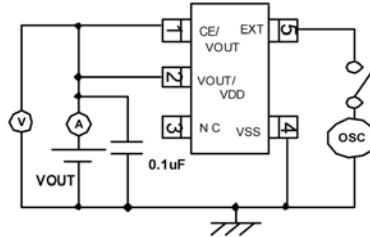
Circuit ⑥



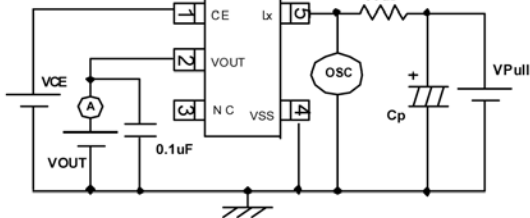
Circuit ③



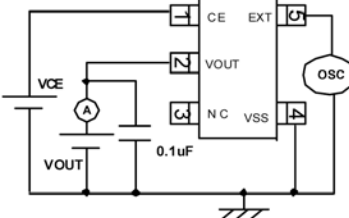
Circuit ⑦



Circuit ④



Circuit ⑧



### <External Components>

Circuit ①

CIN: 47  $\mu$ F, 16V (Tantalum)  
 L: CR54, 100  $\mu$ H (SUMIDA)  
 SD: XBS104S14R-G (Schottky, TOREX)  
 CL: 47  $\mu$ F, 16V (Tantalum)

Circuit ④

Cp: 100  $\mu$ F (OS-CON, SANYO)

Circuit ②

Rp: 300  $\Omega$   
 Rp: 10  $\Omega$  (For Lx ON Resistance and measuring Lx Limit Current)  
 Rp: 200  $\Omega$  (For measuring EXT ON Resistance)  
 Cp: 100  $\mu$ F (OS-CON, SANYO)

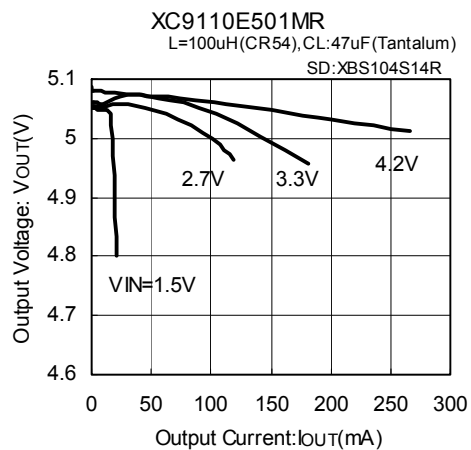
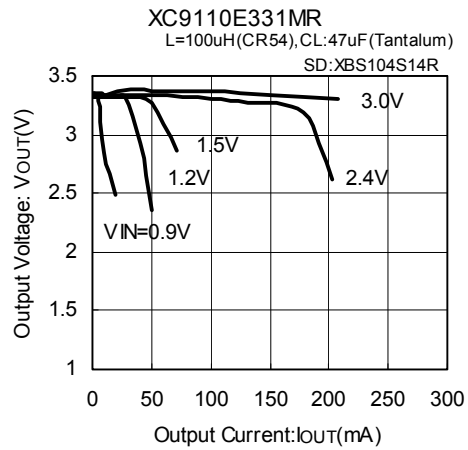
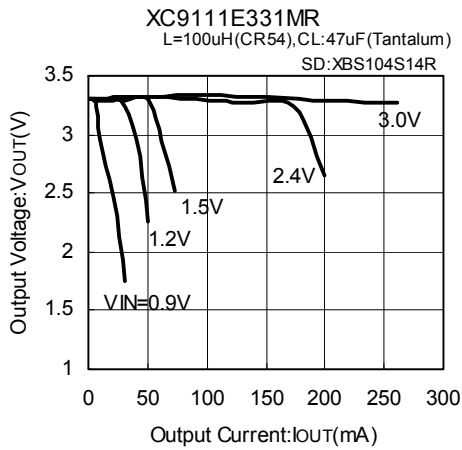
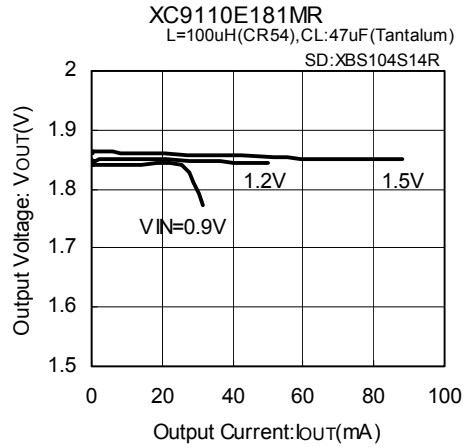
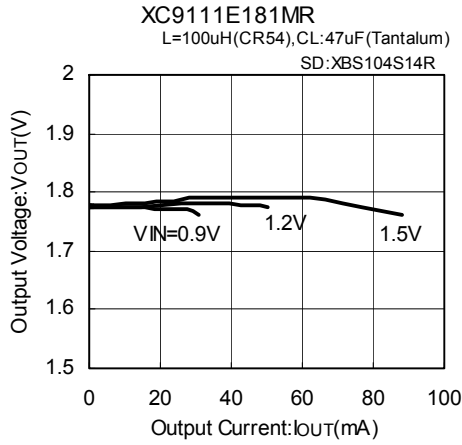
Circuit ⑥

CIN: 47  $\mu$ F, 16V (Tantalum)  
 L: CR54, 100  $\mu$ H (SUMIDA)  
 Tr: 2SD1628 (SANYO)  
 CB: 2200pF  
 RB: 500  $\Omega$   
 SD: XBS104S14R-G (Schottky, TOREX)  
 CL: 47  $\mu$ F, 16V (Tantalum)

**TYPICAL PERFORMANCE CHARACTERISTICS**

(1) Output Voltage vs. Output Current

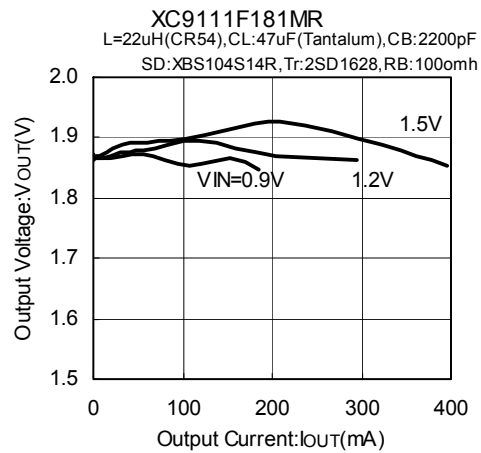
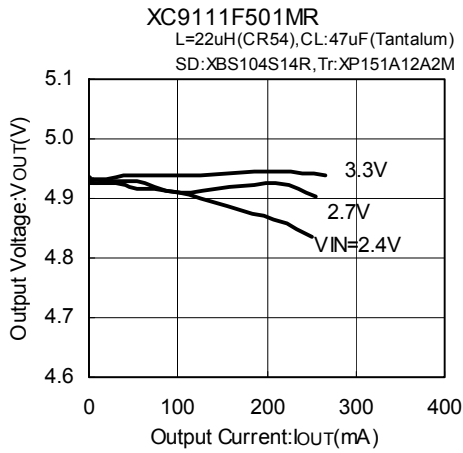
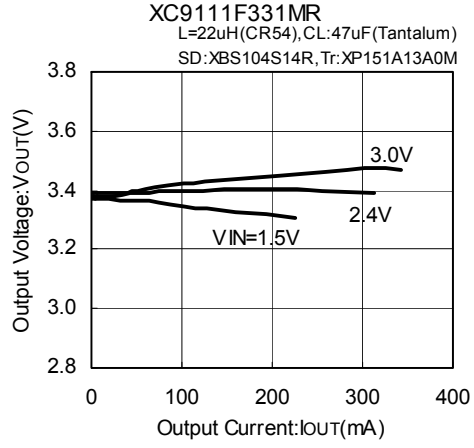
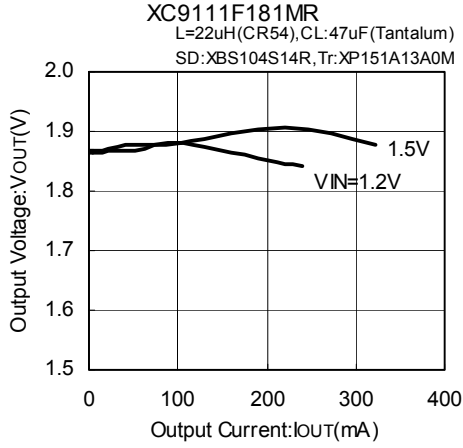
\*Topr = 25°C



## TYPICAL PERFORMANCE CHARACTERISTICS (Continued)

(1) Output Voltage vs. Output Current (Continued)

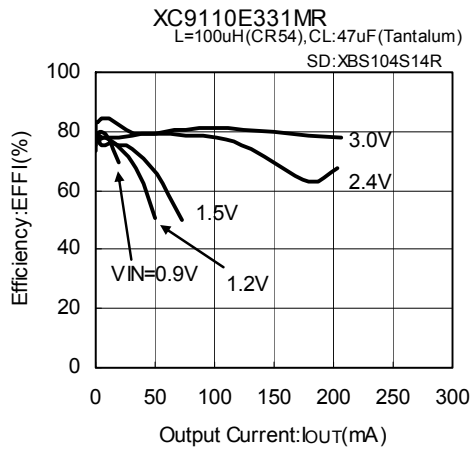
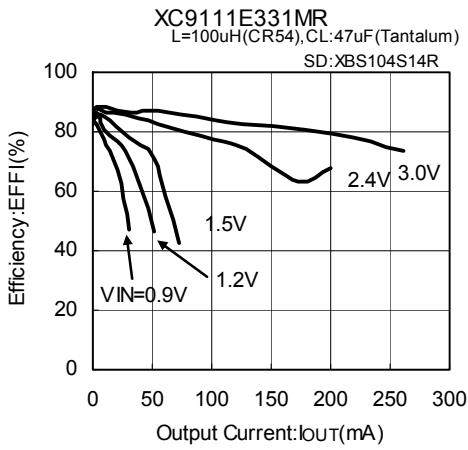
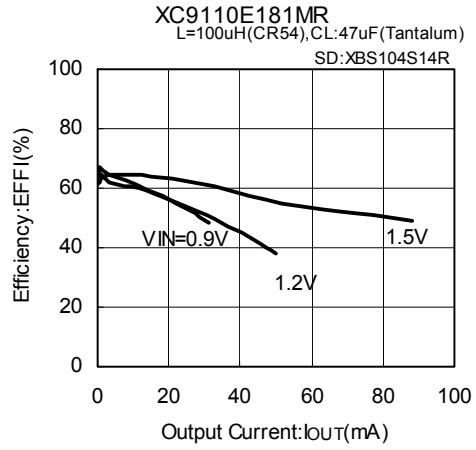
\*Topr = 25°C



■ TYPICAL PERFORMANCE CHARACTERISTICS (Continued)

(2) Efficiency vs. Output Current

\*Topr = 25°C



## TYPICAL PERFORMANCE CHARACTERISTICS (Continued)

(2) Efficiency vs. Output Current (Continued)

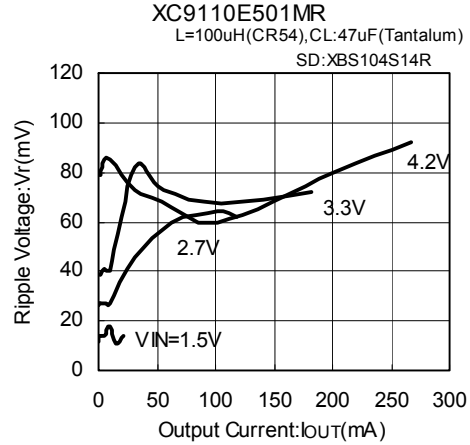
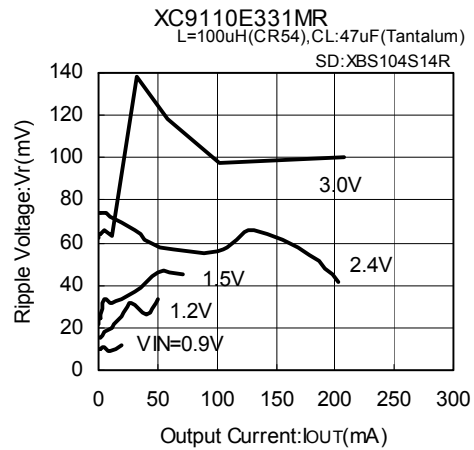
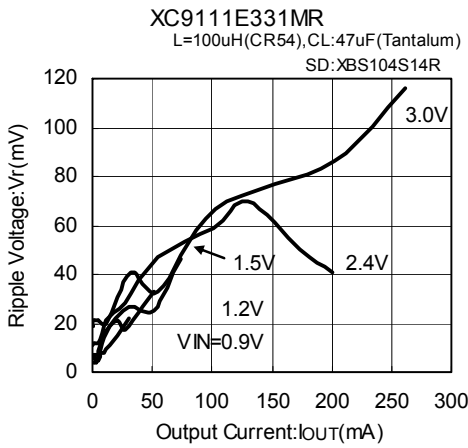
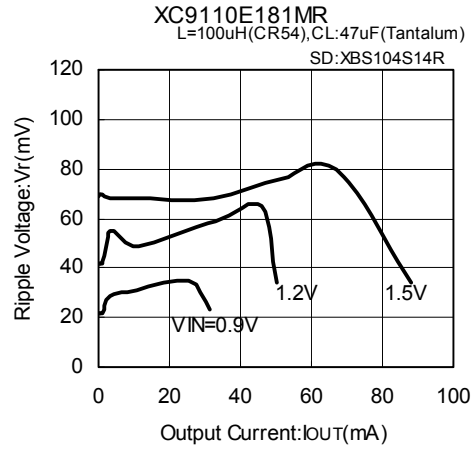
\*Topr = 25°C



**TYPICAL PERFORMANCE CHARACTERISTICS (Continued)**

(3) Ripple Voltage vs. Output Current

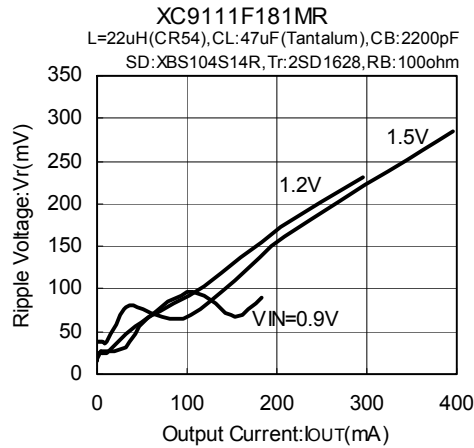
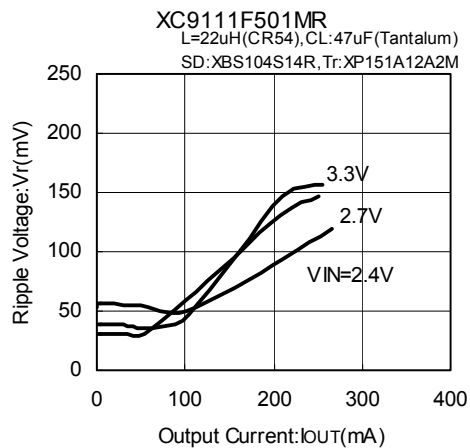
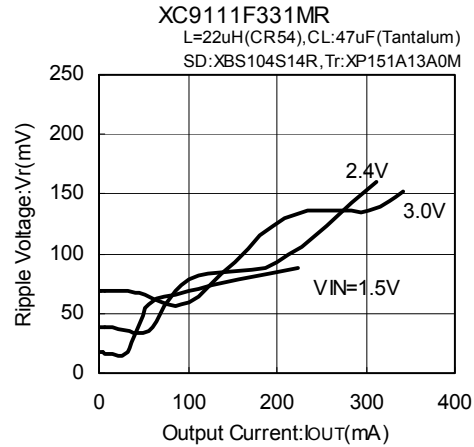
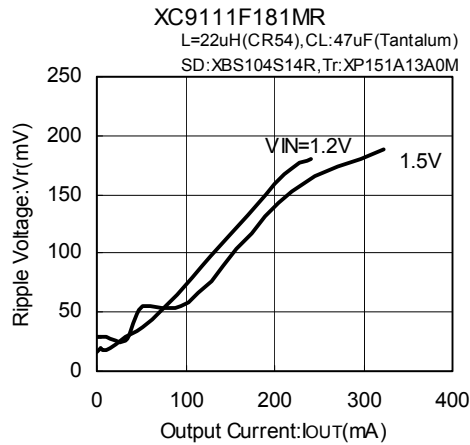
\*Topr = 25°C



## TYPICAL PERFORMANCE CHARACTERISTICS (Continued)

\*Topr = 25°C

(3) Ripple Voltage vs. Output Current (Continued)





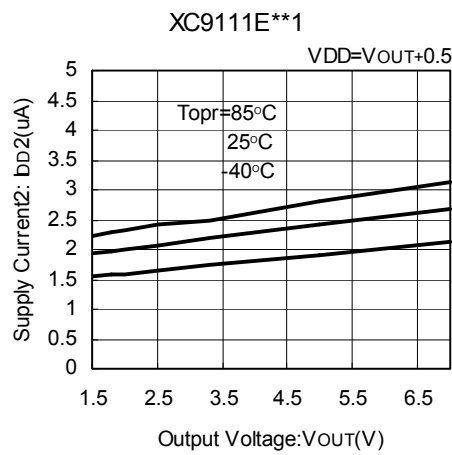
■ TYPICAL PERFORMANCE CHARACTERISTICS (Continued)

\*Topr = 25°C

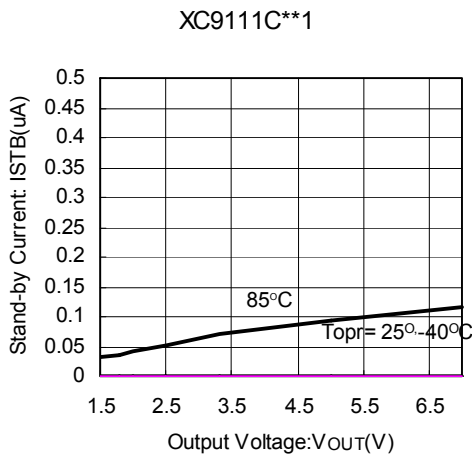
(4) Supply Current 1 vs. Output Voltage



(5) Supply Current 2 vs. Output Voltage



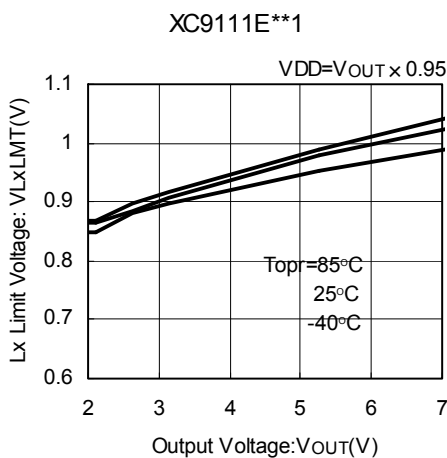
(6) Stand-by Current vs. Output Voltage



(7) No Load Input Current vs. Output Voltage



(8) Lx Limit Voltage vs. Output Voltage



(9) Lx Switch-ON Resistance vs. Output Voltage



\* The reason for the increase in the "no load input current" figure at Ta=85°C in the performance characteristics is because of an increase in the reverse current of the Schottky diode and not because of abnormalities of the IC itself.

## TYPICAL PERFORMANCE CHARACTERISTICS (Continued) \*Topr = 25°C

(10) EXT H ON Resistance vs. Output Voltage



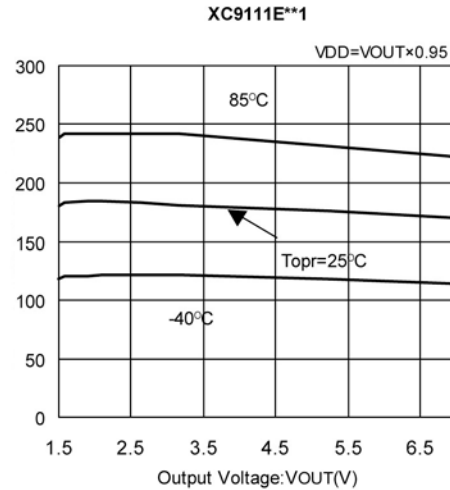
(11) EXT L ON Resistance vs. Output Voltage



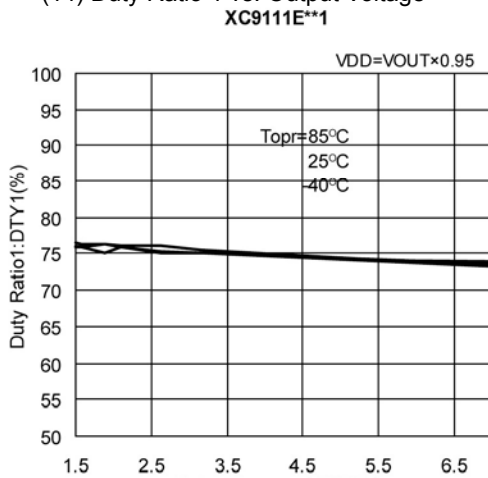
(12) Maximum Oscillation Frequency 1 vs. Output Voltage



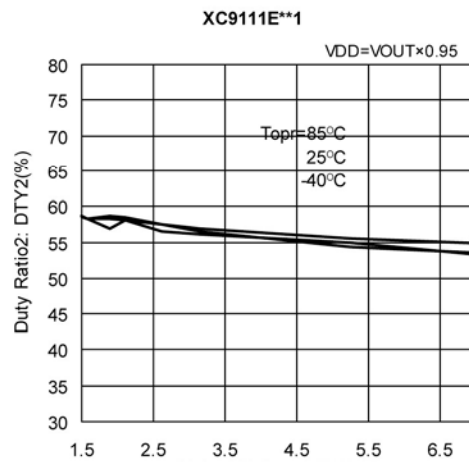
(13) Maximum Oscillation Frequency 2 vs. Output Voltage



(14) Duty Ratio 1 vs. Output Voltage



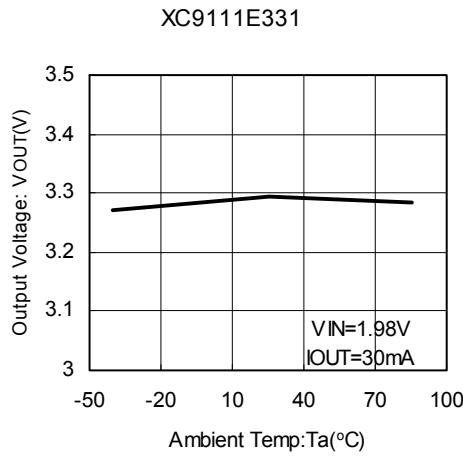
(15) Duty Ratio 2 vs. Output Voltage



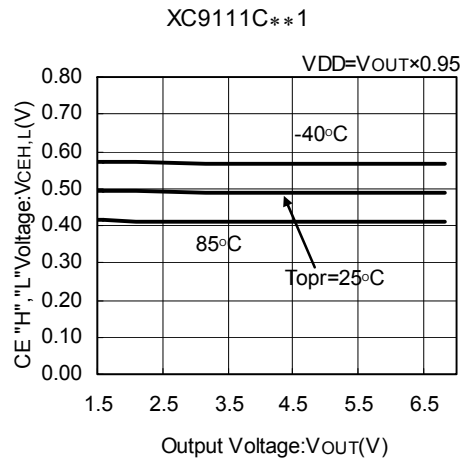
■ TYPICAL PERFORMANCE CHARACTERISTICS (Continued)

\*Topr = 25°C

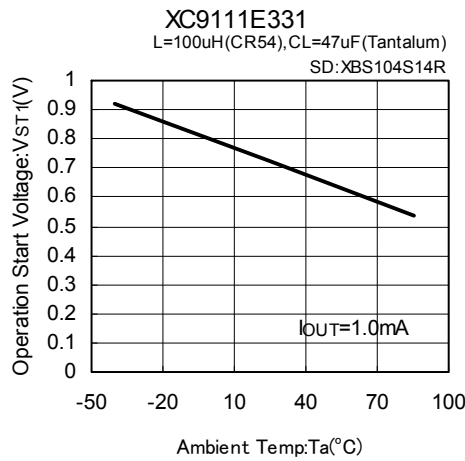
(16) Output Voltage vs. Ambient Temperature



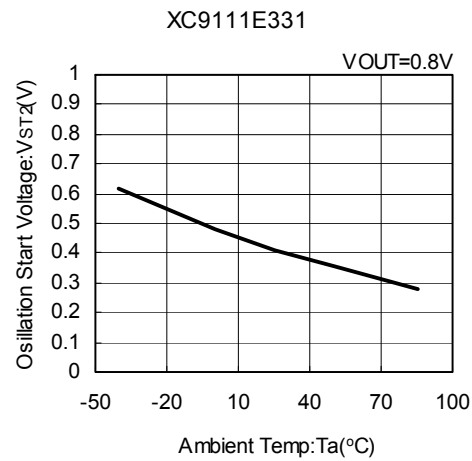
(17) CE "H", "L" Voltage vs. Output Voltage



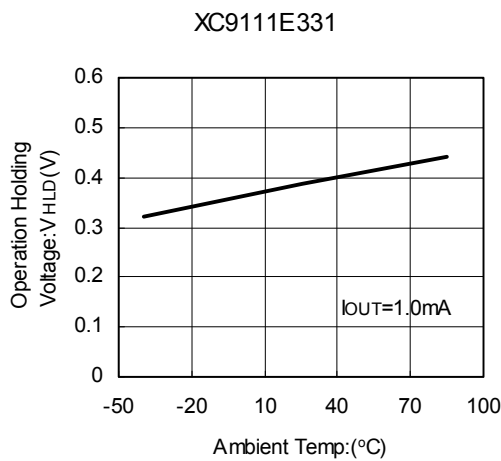
(18) Operation Start Voltage vs. Ambient Temperature



(19) Oscillation Start Voltage vs. Ambient Temperature



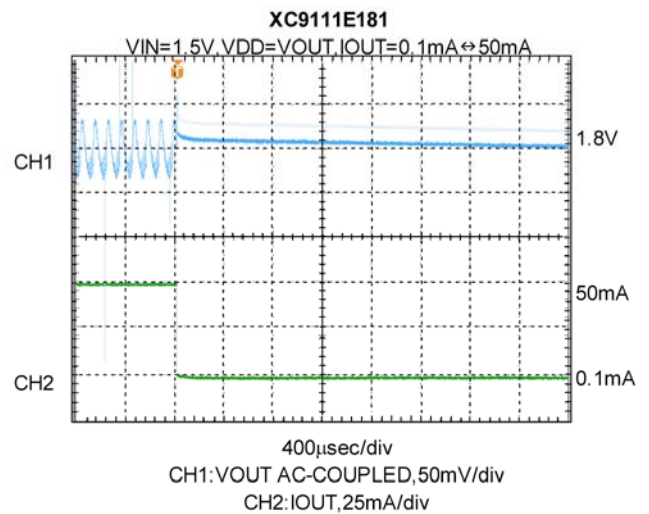
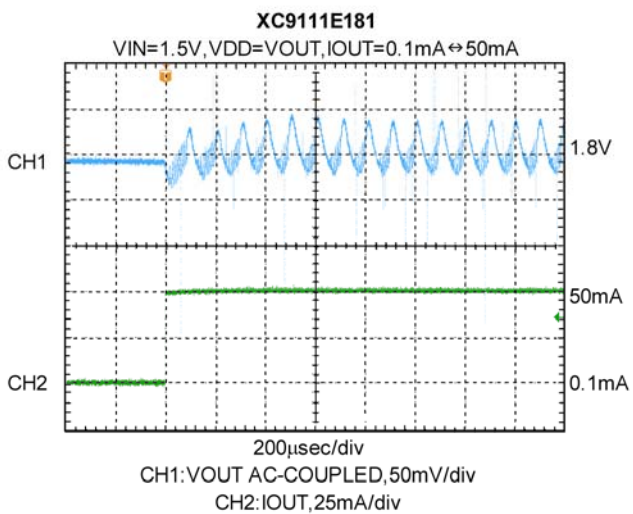
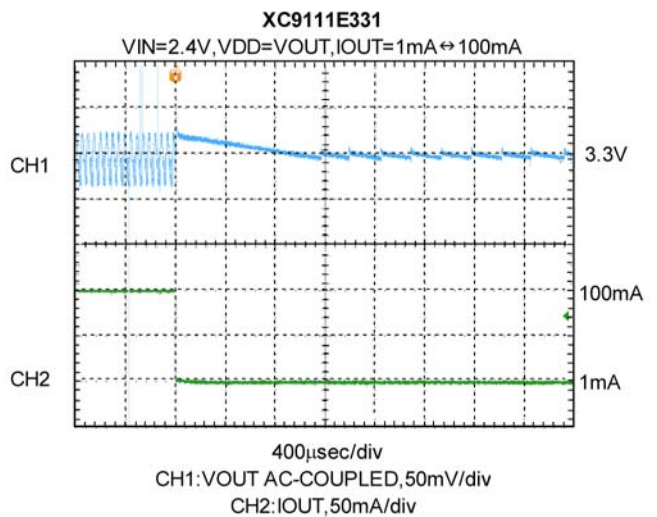
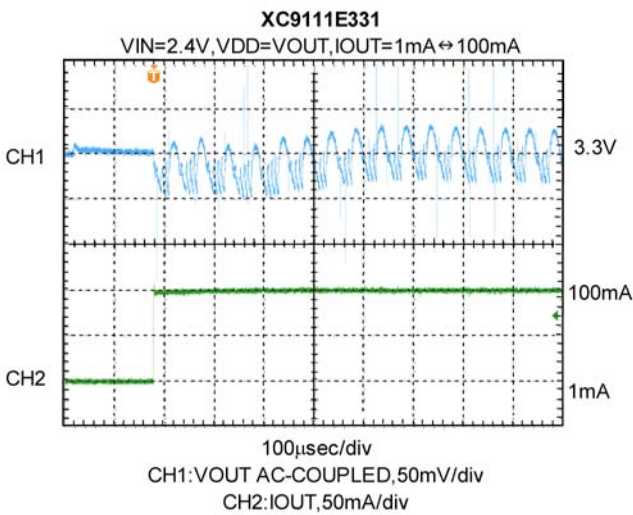
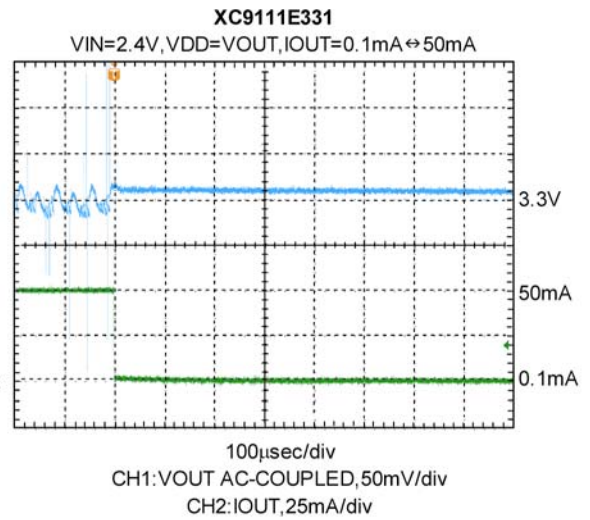
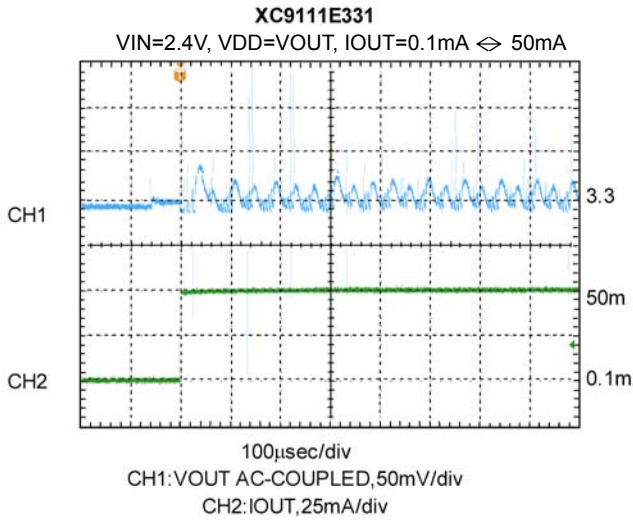
(20) Operation Hold Voltage vs. Ambient Temperature



## TYPICAL PERFORMANCE CHARACTERISTICS (Continued)

(21) Load Transient Response

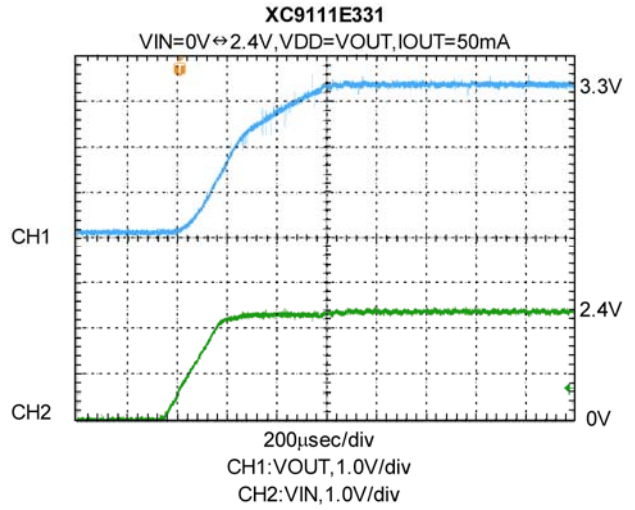
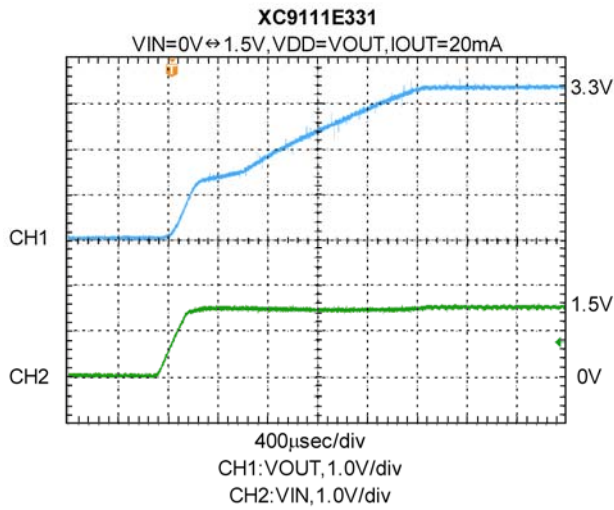
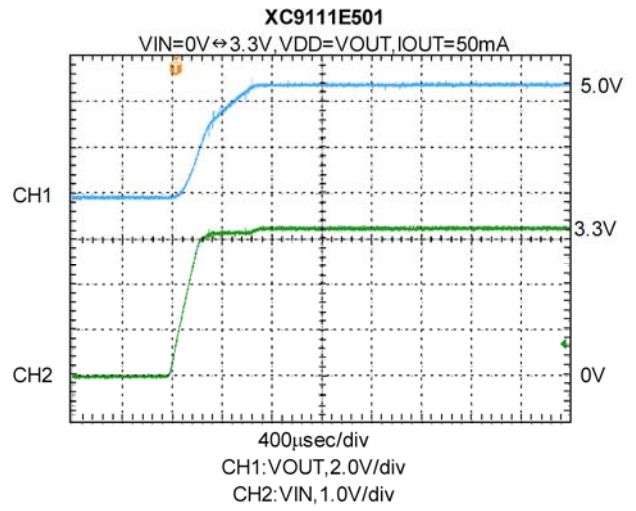
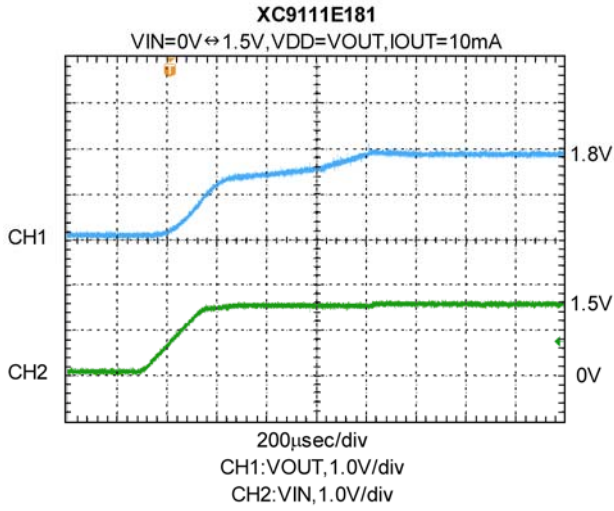
\*Topr = 25°C



■ TYPICAL PERFORMANCE CHARACTERISTICS (Continued)

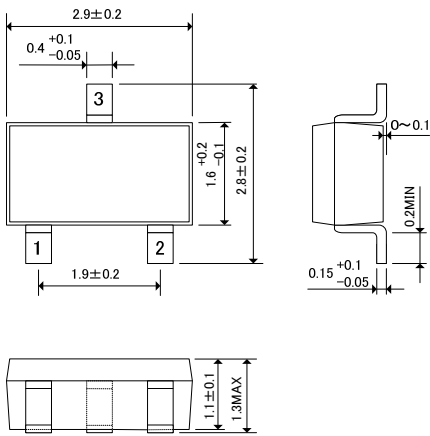
(22) Input Transient Response

\*Topr = 25°C



## PACKAGING INFORMATION

### ● SOT-23



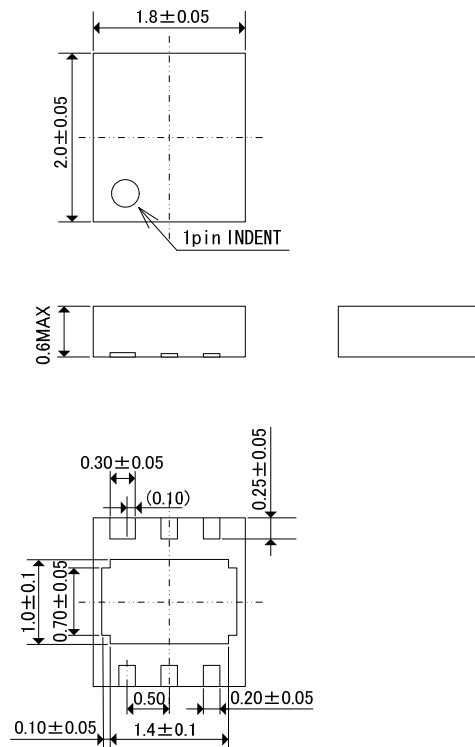
### ● SOT-25



### ● SOT-89

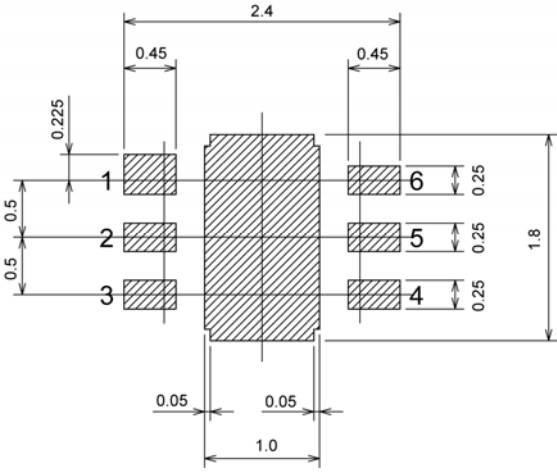


### ● USP-6C

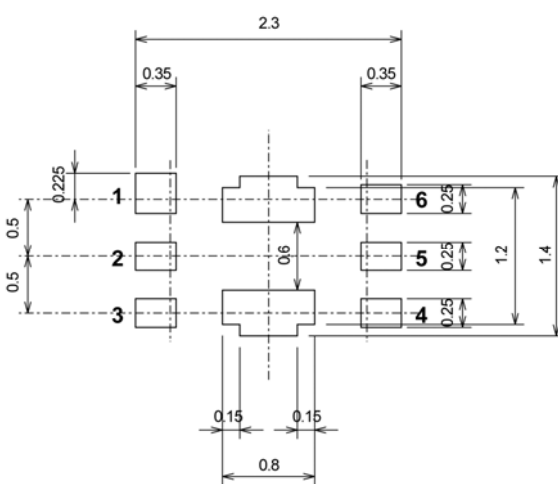


■ PACKAGING INFORMATION (Continued)

● USP-6C Reference Pattern Layout

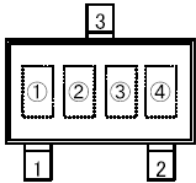


● USP-6C Reference Metal Mask Design



## MARKING RULE

### ● SOT-23



SOT-23 (TOP VIEW)

① represents product series

| MARK | FUNCTIONS |                     | PRODUCT SERIES |
|------|-----------|---------------------|----------------|
| 5    | -         | Built-In Transistor | XC9111Axxxxx   |
| 6    | -         | External Transistor | XC9111Bxxxxx   |

② represents integer of output voltage and oscillation frequency

| OUTPUT VOLTAGE | MARK             |
|----------------|------------------|
|                | $f_{OSC}=100kHz$ |
| 1.x            | 1                |
| 2.x            | 2                |
| 3.x            | 3                |
| 4.x            | 4                |
| 5.x            | 5                |
| 6.x            | 6                |
| 7.x            | 7                |

③ represents decimal point of output voltage and oscillation frequency

| OUTPUT VOLTAGE | MARK             |
|----------------|------------------|
|                | $f_{OSC}=100kHz$ |
| x.0            | 0                |
| x.1            | 1                |
| x.2            | 2                |
| x.3            | 3                |
| x.4            | 4                |
| x.5            | 5                |
| x.6            | 6                |
| x.7            | 7                |
| x.8            | 8                |
| x.9            | 9                |

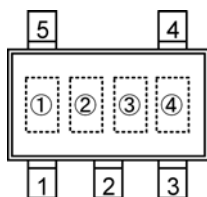
④ represents production lot number

0 to 9, A to Z repeated (G, I, J, O, Q, W excluded)



## MARKING RULE (Continued)

### ● SOT-25



SOT-25 (TOP VIEW)

① represents product series

| MARK     | FUNCTION |              | PRODUCT SERIES |
|----------|----------|--------------|----------------|
| <u>V</u> | CE       | Tr. Built-in | XC9110Cxxxxx   |
| <u>X</u> | CE       | External Tr. | XC9110Dxxxxx   |
| <u>Y</u> | VDD/VOUT | Tr. Built-in | XC9110Exxxxx   |
| <u>Z</u> | VDD/VOUT | External Tr. | XC9110Fxxxxx   |
| 5        | CE       | Tr. Built-in | XC9111Cxxxxx   |
| 6        | CE       | External Tr. | XC9111Dxxxxx   |
| 7        | VDD/VOUT | Tr. Built-in | XC9111Exxxxx   |
| 8        | VDD/VOUT | External Tr. | XC9111Fxxxxx   |

② represents integer of output voltage and oscillation frequency

| OUTPUT VOLTAGE | MARK             |
|----------------|------------------|
|                | $f_{osc}=100kHz$ |
| 1.x            | 1                |
| 2.x            | 2                |
| 3.x            | 3                |
| 4.x            | 4                |
| 5.x            | 5                |
| 6.x            | 6                |
| 7.x            | 7                |

③ represents decimal point of output voltage and oscillation frequency

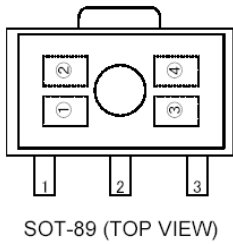
| OUTPUT VOLTAGE | MARK             |
|----------------|------------------|
|                | $f_{osc}=100kHz$ |
| x.0            | 0                |
| x.1            | 1                |
| x.2            | 2                |
| x.3            | 3                |
| x.4            | 4                |
| x.5            | 5                |
| x.6            | 6                |
| x.7            | 7                |
| x.8            | 8                |
| x.9            | 9                |

④ represents production lot number

0 to 9, A to Z repeated (G, I, J, O, Q, W excluded)

## MARKING RULE (Continued)

### ● SOT-89



① represents product series

| MARK | FUNCTIONS |                     | PRODUCT SERIES |
|------|-----------|---------------------|----------------|
| 5    | -         | Built-In Transistor | XC9111Axxxxx   |
| 6    | -         | External Transistor | XC9111Bxxxxx   |

② represents integer of output voltage and oscillation frequency

| OUTPUT VOLTAGE | MARK             |
|----------------|------------------|
|                | $f_{osc}=100kHz$ |
| 1.x            | 1                |
| 2.x            | 2                |
| 3.x            | 3                |
| 4.x            | 4                |
| 5.x            | 5                |
| 6.x            | 6                |
| 7.x            | 7                |

③ represents decimal point of output voltage and oscillation frequency

| OUTPUT VOLTAGE | MARK             |
|----------------|------------------|
|                | $f_{osc}=100kHz$ |
| x.0            | 0                |
| x.1            | 1                |
| x.2            | 2                |
| x.3            | 3                |
| x.4            | 4                |
| x.5            | 5                |
| x.6            | 6                |
| x.7            | 7                |
| x.8            | 8                |
| x.9            | 9                |

④ represents production lot number  
0 to 9, A to Z repeated (G, I, J, O, Q, W excluded)

## MARKING RULE (Continued)

### ● USP-6C



USP-6C (TOP VIEW)

① represents product series

| MARK | PRODUCT SERIES |
|------|----------------|
| M    | XC9110xxx1Dx   |
| N    | XC9111xxx1Dx   |

② represents series type

| MARK | FUNCTION                 | PRODUCT SERIES |
|------|--------------------------|----------------|
| C    | CE<br>Tr. Built-in       | XC911xCxx1Dx   |
| D    | CE<br>External Tr.       | XC911xDxx1Dx   |
| E    | VDD/VOUT<br>Tr. Built-in | XC911xExx1Dx   |
| F    | VDD/VOUT<br>External Tr. | XC911xFxx1Dx   |

③ represents integer of output voltage

| MARK | OUTPUT VOLTAGE |
|------|----------------|
| 1    | 1.x            |
| 2    | 2.x            |
| 3    | 3.x            |
| 4    | 4.x            |
| 5    | 5.x            |
| 6    | 6.x            |
| 7    | 7.x            |

④ represents decimal point of output voltage

| MARK | OUTPUT VOLTAGE |
|------|----------------|
| 0    | x.0            |
| 1    | x.1            |
| 2    | x.2            |
| 3    | x.3            |
| 4    | x.4            |
| 5    | x.5            |
| 6    | x.6            |
| 7    | x.7            |
| 8    | x.8            |
| 9    | x.9            |

⑤ represents oscillation frequency

| MARK | OSCILLATION FREQUENCY | PRODUCT SERIES |
|------|-----------------------|----------------|
| 1    | x.0                   | XC911xxxx1Dx   |

⑥ represents production lot number

0 to 9, A to Z repeated (G, I, J, O, Q, W excluded)

\* No character inversion used