

Product availability: Non-Stock - Not normally stocked in distribution facility



Main

Range of product	OsiSense XCC
Encoder type	Single turn absolute encoder
Device short name	XCC
Product specific application	Food and beverage
Diameter	2.28 in (58 mm)
Shaft diameter	0.39 in (10 mm)
Shaft type	Solid shaft
Resolution	8192 points
Electrical connection	Cable axial shielded
Cable length	6.56 ft (2 m)
Cable insulation material	TPU
Output stage	Type KG
Type of output stage	Driver push-pull gray
[Us] rated supply voltage	5...30 V DC
Enclosure material	Stainless steel 316 L

Complementary

Shaft tolerance	G6
Residual ripple	500 mV
Supply voltage limits	5...30 V
Maximum revolution speed	3000 rpm
Shaft moment of inertia	0 lb.in ² (12 g.cm ²)
Torque value	0.8 lbf.in (0.09 N.m)
Maximum load	25 daN axial 50 daN radial
Output frequency	100 kHz
Current consumption	0...100 mA no-load
Protection type	Reverse polarity protection Short-circuit protection
Maximum output current	20 mA
Output level	Low level: 0.5 V maximum 20 mA High level: 2.5 V minimum
Surge withstand	1 kV level 2 IEC 61000-4-5
Base material	Stainless steel 316 L
Shaft material	Stainless steel 316 L
Type of ball bearings	6000
Product weight	2.02 lb(US) (0.915 kg)

Environment


Marking	CE
Ambient air temperature for operation	-4...194 °F (-20...90 °C)
Ambient air temperature for storage	-40...212 °F (-40...100 °C)
IP degree of protection	IP68 IEC 60529 IP69K IEC 60529
Vibration resistance	10 gn (55...2000 Hz) IEC 60068-2-6

Shock resistance	30 gn (11 ms) IEC 60068-2-27
Resistance to electrostatic discharge	4 kV contact discharge level 3 IEC 61000-4-2 8 kV air discharge level 3 IEC 61000-4-2
Resistance to electromagnetic fields	9.14 V/yd (10 V/m) level 3 IEC 61000-4-3
Resistance to fast transients	1 kV signal ports level 3 IEC 61000-4-4 2 kV power ports level 3 IEC 61000-4-4

Ordering and shipping details

Category	21581 - ENCODERS, XCC
Discount Schedule	DS2
GTIN	003389119078818
Nbr. of units in pkg.	1
Package weight(Lbs)	2.3000000000000003
Returnability	N
Country of origin	FR

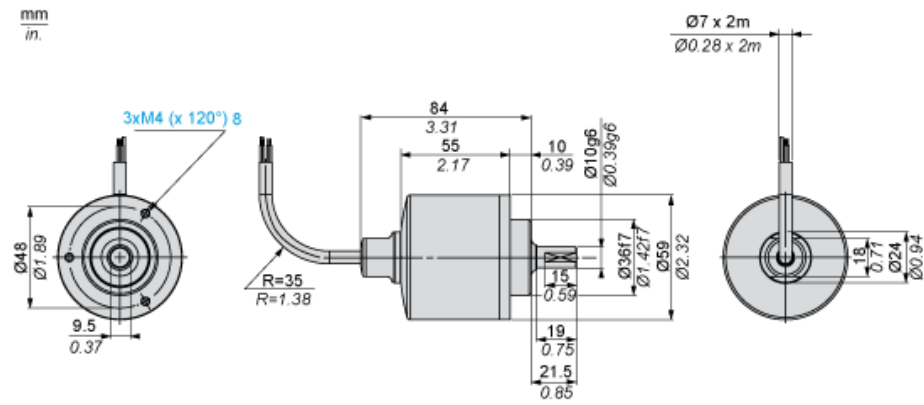
Offer Sustainability

RoHS (date code: YYWW)	Compliant - since 1203 - Schneider Electric declaration of conformity  Schneider Electric declaration of conformity
REACH	Reference not containing SVHC above the threshold
California proposition 65	WARNING: This product can expose you to chemicals including:
----- Substance 1	Diisononyl phthalate (DINP), which is known to the State of California to cause cancer, and
----- Substance 2	Di-isodecyl phthalate (DIDP), which is known to the State of California to cause birth defects or other reproductive harm.
----- More information	For more information go to www.p65warnings.ca.gov

Contractual warranty

Warranty period	18 months
-----------------	-----------


Dimensions





R : Minimum bend radius = 35 mm

Wiring Diagram

Cable Version Encoders

Wire colour	WH White	BN Brown	GN Green	YE Yellow	GY Grey	OG Orange	BU Blue	RD Red
Signal Supply	0 V	+V	d0	d1	d2	d3	d4	d5
Wire colour	BK Black	VT Violet	WH/BN White/brown	WH/GN White/green	WH/YE White/yellow	WH/BK White/black	WH/OG White/ orange	WH/RD White/red
Signal Supply	d6	d7	d8	d9	d10	d11	d12	Direction  (1)

- (1)  : Clockwise direction, to + V
 : Anticlockwise direction, to 0 V